

LPT 613 EURO-III
(PARTS LIST)

JANUARY 2009

PRELIMINARY REMARKS

This list comprises of parts for Engine, Gear Box, Front Axle, Rear Axle, Frame, Cab, Cowl, etc. of the following versions of LPT 613 EURO III.

CHASSIS TYPE	VC NO	VARIANT DESCRIPTION	VARIANT DETAILS	ENGINE TYPE
381 226	26434438000L	LPT 613 38 WB EURO III, COWL BUS	FULL FORWARD CONTROL CHASSIS WITH COWL, BUS VERSION, WITH 697 TCIC EURO III ENGINE WITH HEATING AND DEMISTING, WITH FULL AIR 'S' CAM BRAKE, 3800mm WB.	697 TCIC EURO-III
381 313	26434538000L	LPT 613 34 WB EURO III WITH LOAD BODY	FULL FORWARD CONTROL CHASSIS WITH TILT CAB AND LOAD BODY, TRUCK VERSION, WITH 697 TCIC EURO III ENGINE WITH HEATING AND DEMISTING, WITH FULL AIR 'S' CAM BRAKE, 3800mm WB.	697 TCIC EURO-III

INSTRUCTIONS

Refer Variant Table Matrix for correct applicability

The designation "Left and Right" as well as "Front" and "Rear" refer to the driving direction

The indication "First", "Second" (e.g. Cross member of frame) are counter from the radiator side

The word "Optional" in the remarks column against an item having two or more part numbers indicates that depending on availability, the item will be supplied under any one of these part numbers

The designation "AR" in column "Quantity" stands for "As Required"

The illustrations of parts of the table are only for easy reference and they may not be exact replica of the part.

The parts fitted on the vehicle are subject to modification without prior notice.

This is a publication of the Parts Head Quarters of the TATA MOTORS LIMITED.

Any Correspondence relating to this Parts List be made to:

**Technical Cell
Tata Motors Ltd.,
Parts Head Quarters,
Teen Hath Naka,
Gyan Sadhana College Service Road,
Thane-400 604.**

INTRODUCTION

WHEN ORDERING PARTS, PLEASE INDICATE

Chassis Type and Chassis Number

Engine Type and Engine Number

Part No. - See Column "PART NUMBER"

Precise Description - See Column "DESCRIPTION"

WHEN ORDERING PARTS FOR AGGREGATES, PLEASE INDICATE THE AGGREGATE NUMBER

Gear Box Unit No. -

Rear Axle Unit No. -

Steering Unit No. -

VARIANT – TABLE MATRIX

VARIANT - TABLE MATRIX FOR LPT 613 BS-III			
	CHASSIS TYPE	381 226	381 313
	VC NUMBER	26434438000L	26434538000L
		LPT 613 38 WB EURO III, COWL BUS	LPT 613 34 WB EURO III WITH LOAD BODY
TABLE NUMBER	TABLE DESCRIPTION		
00	ENGINE		
00.01.01	ENGINE	Y	Y
00.01.02	HALF BLOCK AND LONG BLOCK	Y	Y
00.01.03	ENGINE OVERHAULING GASKET KIT	Y	Y
00.01.04	CYLINDER BLOCK	Y	Y
00.01.05	CYLINDER HEAD AND COVER	Y	Y
00.03.01	MOVING PARTS	Y	Y
00.05.01	ENGINE TIMING (CAMSHAFT AND COMPONENTS)	Y	Y
00.05.02	INJECTION TIMER	Y	Y
00.07.01	FUEL INJECTION EQUIPMENT	Y	Y
00.07.02	INJECTOR	Y	Y
00.07.03	FLAME START	Y	Y
00.09.01	FUEL FEED AND LEAKAGE LINE	Y	Y
00.09.02	FUEL FILTER	Y	Y
00.09.03A	AIR FILTER	Y	
00.09.03B	AIR FILTER		Y
00.13.01	AIR COMPRESSOR 94 DIA	Y	Y
00.13.02	AIR COMPRESSOR HEAD (REED VALVE TYPE) 94 DIA	Y	Y
00.14.01	EXHAUST MANIFOLD AND TURBOCHARGER	Y	Y
00.14.02	INTERCOOLER AND CONNECTIONS	Y	Y
00.15.01	ALTERNATOR AND STARTER	Y	Y
00.18.01	OIL PUMP	Y	Y
00.18.02	ASSY. OIL FILTER	Y	Y
00.18.03	OIL COOLER (PLATE TYPE)	Y	Y
00.18.04	PISTON COOLING	Y	Y
00.18.05	OIL PIPING FOR TURBO CHARGER	Y	Y
00.20.01	WATER PUMP	Y	Y
00.24.01	ENGINE SUSPENSION	Y	Y
00.25.01	CLUTCH	Y	Y
26	GEARBOX		
26.26.01A	GEAR BOX HOUSING	Y	
26.26.01B	GEAR BOX HOUSING		Y
26.26.02	GEAR SHAFT AND GEAR	Y	Y

VARIANT - TABLE MATRIX FOR LPT 613 BS-III			
	CHASSIS TYPE	381 226	381 313
	VC NUMBER	26434438000L	26434538000L
		LPT 613 38 WB EURO III, COWL BUS	LPT 613 34 WB EURO III WITH LOAD BODY
TABLE NUMBER	TABLE DESCRIPTION		
26.26.03A	GEAR SHIFT LINKAGE	Y	
26.26.03B	GEAR SHIFT LINKAGE		Y
29	CONTROLS		
29.29.01	CLUTCH AND BRAKE CONTROLS	Y	Y
29.29.02	CLUTCH PIPE LINES	Y	Y
30	ACCELERATOR		
30.30.01	ACCELERATOR CONTROLS	Y	Y
31	FRAME		
31.31.01A	FRAME	Y	
31.31.01B	FRAME		Y
32	SUSPENSION		
32.32.01A	FRONT SPRING	Y	
32.32.01B	FRONT SPRING		Y
32.32.02	FRONT SHOCK ABSORBER	Y	Y
32.32.03A	REAR SPRING	Y	
32.32.03B	REAR SPRING		Y
32.32.04	REAR SHOCK ABSORBER	Y	Y
32.32.05	FRONT ANTI ROLL BAR	Y	
32.32.06	REAR ANTI ROLL BAR	Y	
33	FRONT AXLE		
33.33.01	FRONT AXLE	Y	Y
35	REAR AXLE		
35.35.01	REAR AXLE	Y	Y
40	WHEELS		
40.40.01	SPARE WHEEL CARRIER	Y	Y
41	PROPELLER SHAFT		
41.41.01	PROPELLER SHAFT	Y	Y
42	BRAKES		
42.42.01	FRONT WHEEL BRAKES (S CAM) ABS	Y	Y
42.42.02	REAR WHEEL BRAKES (S CAM) ABS	Y	Y
42.42.03	AIR LINES	Y	Y
42.42.04	AIR DRIER WITH TYRE INFLATOR	Y	Y
42.42.05	DUAL BRAKE VALVE	Y	Y

VARIANT - TABLE MATRIX FOR LPT 613 BS-III			
	CHASSIS TYPE	381 226	381 313
	VC NUMBER	26434438000L	26434538000L
		LPT 613 38 WB EURO III, COWL BUS	LPT 613 34 WB EURO III WITH LOAD BODY
TABLE NUMBER	TABLE DESCRIPTION		
42.42.06	FRONT BRAKE CHAMBER	Y	Y
42.42.07	FRONT AND REAR SLACK ADJUSTER	Y	Y
42.42.08	REAR BRAKE ACTUATOR	Y	Y
42.42.09	GRADUATED HAND BRAKE VALVE	Y	Y
42.42.10	QUADRUPLE SYSTEM PROTECTION VALVE	Y	Y
42.42.11	AIR CYLINDER WITH MAGNETIC VALVE	Y	Y
46	STEERING		
46.46.01A	STEERING LINKAGE	Y	
46.46.01B	STEERING LINKAGE		Y
46.46.02	POWER STEERING PIPE LINES	Y	Y
46.46.03	POWER STEERING COMPONENTS	Y	Y
46.46.04	POWER STEERING PUMP	Y	Y
46.46.05	POWER STEERING GEAR BOX (ZF)	Y	Y
46.46.06	POWER STEERING HYDRAULIC TANK (ZF)	Y	Y
47	FUEL SYSTEM		
47.47.01	FUEL SYSTEM	Y	Y
49	EXHAUST SYSTEM		
49.49.01	EXHAUST SYSTEM	Y	Y
50	RADIATOR		
50.50.01	RADIATOR AND FITMENTS	Y	Y
54	ELECTRICALS		
54.54.01A	LIGHT AND SIGNAL SYSTEM-1	Y	
54.54.01B	LIGHT AND SIGNAL SYSTEM-1		Y
54.54.02A	LIGHT AND SIGNAL SYSTEM-2	Y	
54.54.02B	LIGHT AND SIGNAL SYSTEM-2		Y
54.54.03A	INSTRUMENT CLUSTER	Y	
54.54.03B	INSTRUMENT CLUSTER		Y
60	BODY		
60.60.01A	COWL	Y	
60.60.01B	COWL		Y
60.60.02	CENTRE FLAP	Y	Y
60.67.01A	WINDSHIELD GLASS	Y	
60.67.01B	WINDSHIELD GLASS		Y

VARIANT - TABLE MATRIX FOR LPT 613 BS-III			
	CHASSIS TYPE	381 226	381 313
	VC NUMBER	26434438000L	26434538000L
		LPT 613 38 WB EURO III, COWL BUS	LPT 613 34 WB EURO III WITH LOAD BODY
TABLE NUMBER	TABLE DESCRIPTION		
60.68.01	DASHBOARD	Y	Y
60.69.01	FLOOR MAR. LINING		Y
60.70.01	LOAD BODY		Y
60.72.01	DOOR (LPT 613)		Y
60.72.02A	DOOR LOCK	Y	
60.72.02B	DOOR LOCK		Y
60.72.03	WINDING REGULATOR AND GLASS		Y
60.81.01A	INTERNAL AND EXTERNAL FITMENTS	Y	
60.81.01B	INTERNAL AND EXTERNAL FITMENTS		Y
60.82.01	WIPER MOTOR AND LINKAGES	Y	Y
60.83.01A	CAB HEATING	Y	
60.83.01B	CAB HEATING		Y
60.88.01A	BUMPER	Y	
60.88.01B	BUMPER		Y
60.89.01	CAB MOUNTING (FRONT)		Y
60.89.02	CAB MOUNTING (REAR)		Y
60.89.03	MUDGUARD AND MUDFLAP		Y
60.89.04	COWL MOUNTING	Y	
60.91.01A	SEAT AND SEAT BELTS	Y	
60.91.01B	SEAT AND SEAT BELTS		Y

00.01.01

ENGINE

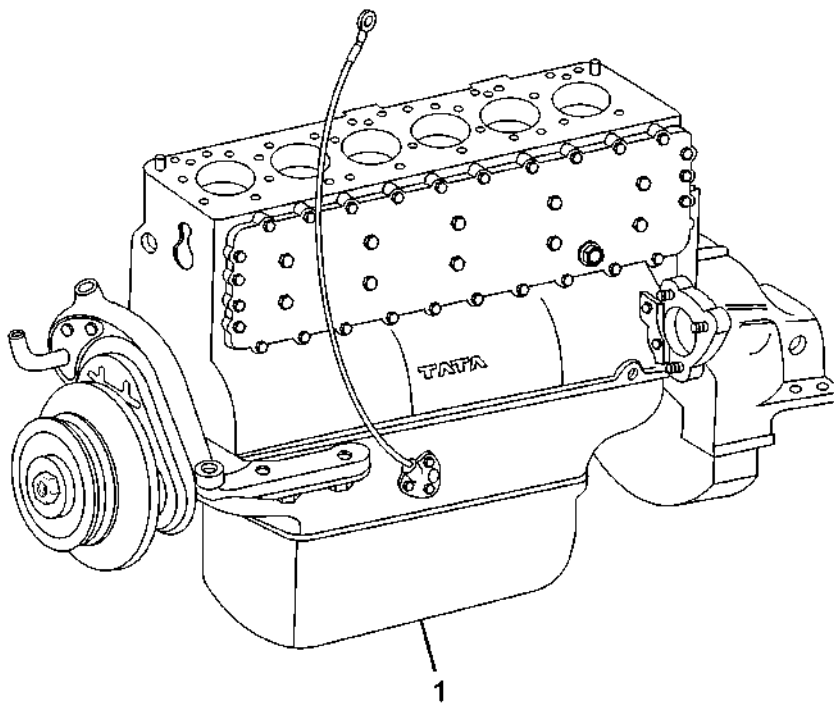
GROUP 01

CHASSIS TYPE: ALL

NO IMAGE

00.01.01		ENGINE		GROUP 01	
CHASSIS TYPE: ALL					
FIG. NO.	PART NUMBER	DESCRIPTION	QTY	REMARKS	
	252501600398	ASSY.ENG COMPLETE-130PS E-III, 24V, ROTARY FIP,POWER STEERING, TILT CAB), FLAME START	1		

CHASSIS TYPE: ALL



00.01.02		HALF BLOCK AND LONG BLOCK		GROUP 01	
CHASSIS TYPE: ALL					
FIG. NO.	PART NUMBER	DESCRIPTION	QTY	REMARKS	
1	252501990241	HALF BLOCK HALF BLOCK, LP/LPT 613 E-III(24V)	1		
—	252501990243	LONG BLOCK LONG BLOCK LP/LPT 613E-III(24V)	1		

00.01.03

ENGINE OVERHAULING GASKET KIT

GROUP 01

CHASSIS TYPE: ALL

NO IMAGE

00.01.03		ENGINE OVERHAULING GASKET KIT		GROUP 01
CHASSIS TYPE: ALL				
FIG. NO.	PART NUMBER	DESCRIPTION	QTY	REMARKS
—	252501990221	ENGINE OVERHAUL GASKET KIT (BS III); CONSISTS OF :	1	
—	-	SEALING WASHER 12X15.5	4	
—	-	SEALING WASHER 14X18	15	
—	-	SEALING WASHER 16X20	1	
—	-	SEALING WASHER A14X20	1	
—	-	SEALING WASHER 8X11.5	4	
—	-	SEALING WASHER 8X14	16	
—	-	SEALING WASHER 10X14	3	
—	-	SEALING WASHER 14X20	1	
—	-	SEALING WASHER 16X20	2	
—	-	SEALING WASHER 16X22	2	
—	-	SEALING WASHER 18X22	2	
—	-	SEALING WASHER 22X27	4	
—	-	SEALING WASHER 24X29	1	
—	-	GASKET	1	
—	-	GASKET (TIMING GEAR HOUSING)	1	
—	-	GASKET	1	
—	-	GASKET (PUSH ROD CHAMBER COVER)	1	
—	-	GASKET, CYLINDER HEAD COVER	1	
—	-	GASKET, CYLINDER HEAD (NON RETORQUE)	1	
—	-	GASKET, CYLINDER HEAD COVER (TOP ENTRY) TO ELBOW	1	
—	-	SEALING RING HALF	2	
—	-	GASKET	1	
—	-	GASKET, EXHAUST MANIFOLD	2	
—	-	GASKET	1	
—	-	GASKET	1	
—	-	GASKET, OIL COOLER	1	
—	-	SEALING WASHER	6	
—	-	SEALING WASHER	6	
—	-	GASKET, WATER PUMP	1	
—	-	GASKET, WATER PUMP	1	
—	-	GASKET, TMING GEAR HOUSING COVER	1	
—	-	GASKET, SUPPORT (FIP) BS II	1	
—	-	GASKET, FIP TO SUPPORT BS II	1	
—	-	GASKET, WATER PUMP	1	
—	-	GASKET	1	

00.01.03

ENGINE OVERHAULING GASKET KIT

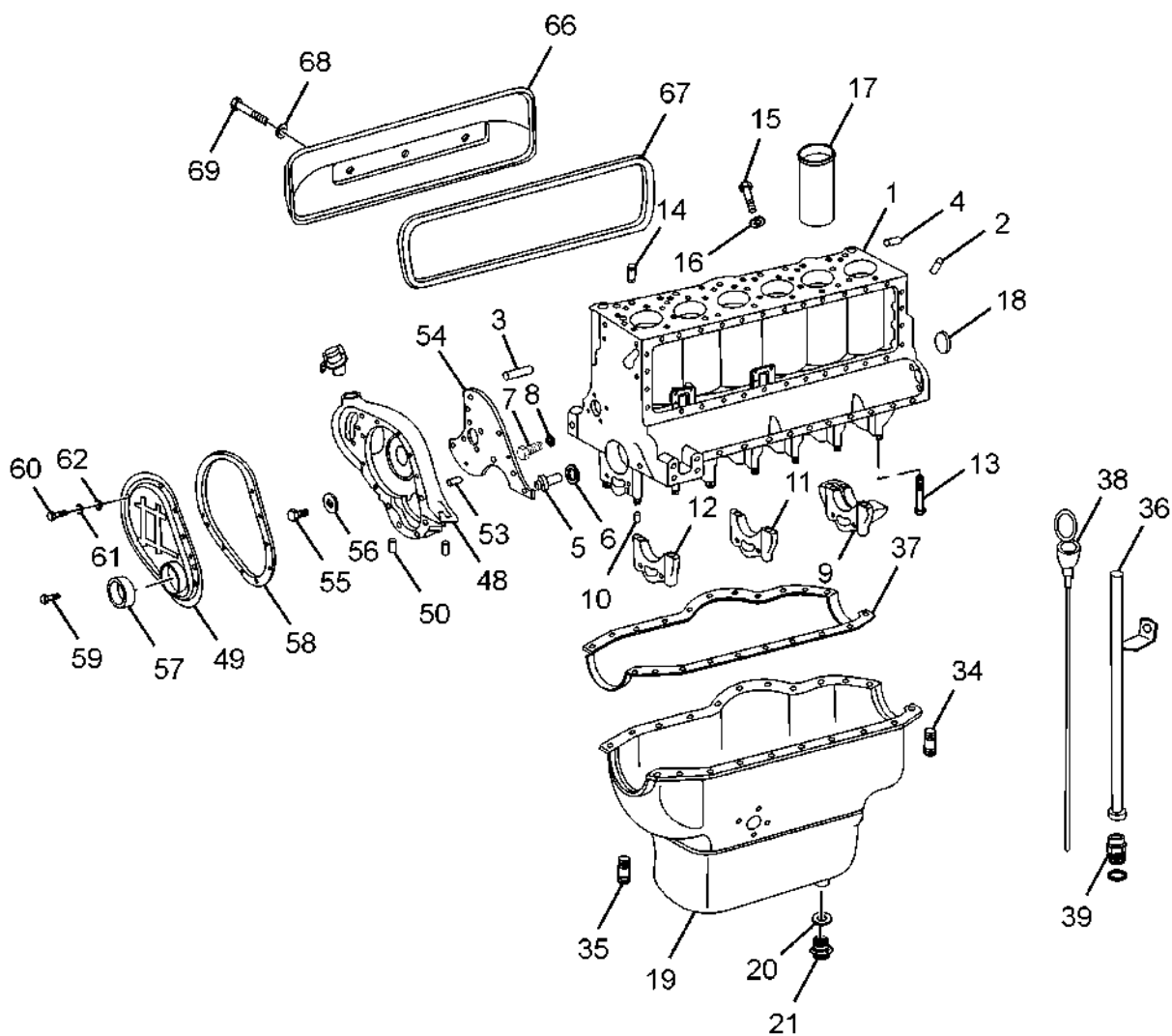
GROUP 01

CHASSIS TYPE: ALL

NO IMAGE

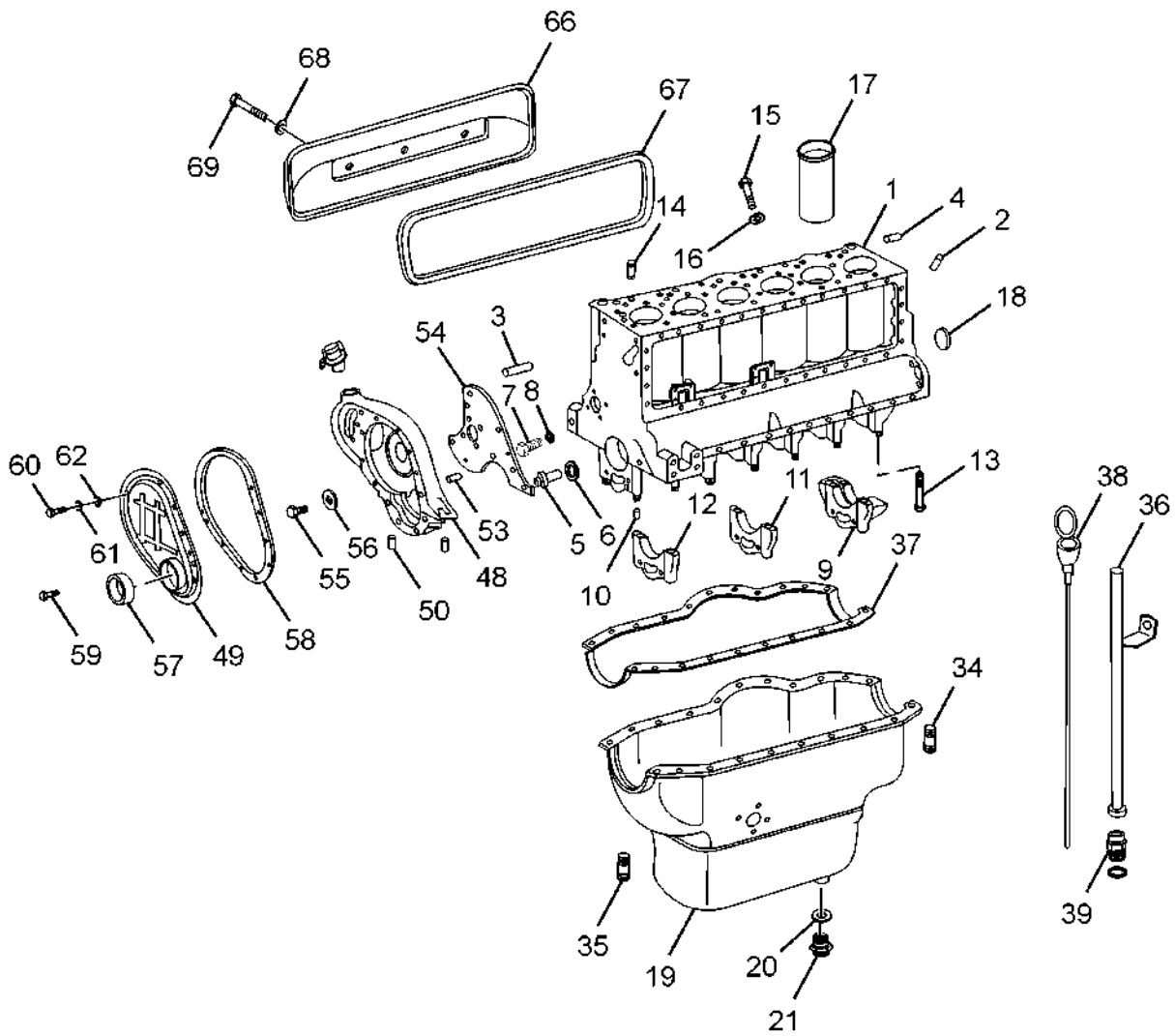
00.01.03		ENGINE OVERHAULING GASKET KIT		GROUP 01
CHASSIS TYPE: ALL				
FIG. NO.	PART NUMBER	DESCRIPTION	QTY	REMARKS
—	-	GASKET, OIL SUMP	1	
—	-	GASKET	1	
	-	GASKET (94 DIA. A/C HEAD)	1	
—	-	GASKET	2	
	885401162525	DECARBONISING GASKET KIT 697TCIC	1	
		BS-III; CONSISTS OF :		
	-	GASKET, CYLINDER HEAD	1	
	-	GASKET, CYLINDER HEAD COVER	1	
	-	GASKET, EXHAUST MANIFOLD	2	
	-	GASKET, TURBO CHARGER	1	
	-	GASKET, EXHAUST PIPE	1	

CHASSIS TYPE: ALL



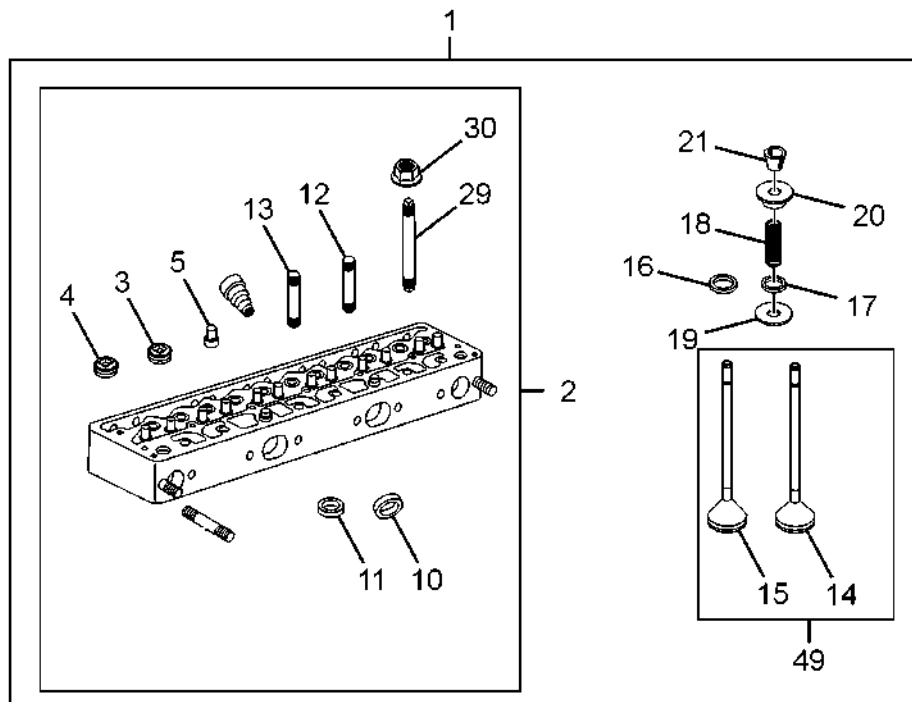
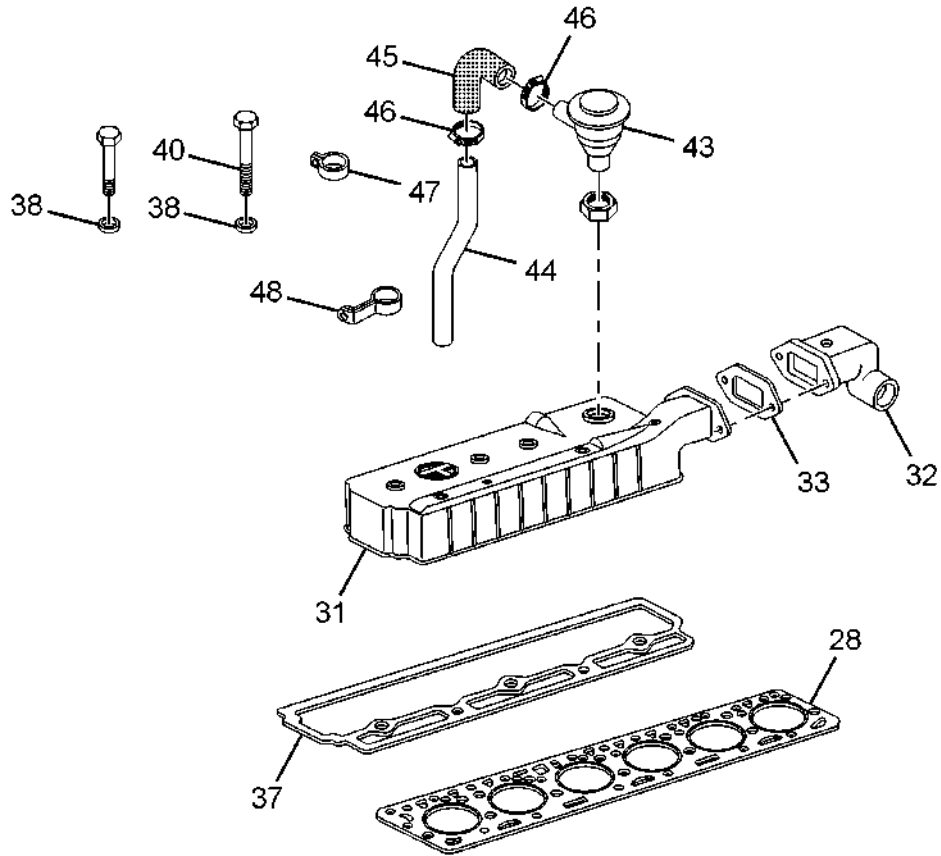
00.01.04		CYLINDER BLOCK		GROUP 01
CHASSIS TYPE: ALL				
FIG. NO.	PART NUMBER	DESCRIPTION	QTY	REMARKS
1	252501100298	ASSY. CYL. BLOCK WITH LINER	1	
17	252701103727	LINER	6	
2	3121881135P	SLEEVE	1	
3	3219920025	SLEEVE, CLAMPING	1	
4	13050910304	PIN CYLINDRICAL 12X30 (TO LOCATE CLUTCH HOUSING)	2	
5	3520110335	SCREW PLUG	1	
6	16220710282	SEALING WASHER A 18X22 CU	1	
7	16081001603	SEALING PLUG AM 16X1.5	2	
8	16220710258	SEALING WASHER A 16X22 CU	2	
9	-	MAIN BEARING CAP NO. 7	1	LOOSE NOT SERVICED
10	13050508166	CYL. PIN 8 M 6X16	14	
11	-	MAIN BEARING CAP NO. 4	1	LOOSE NOT SERVICED
12	-	MAIN BEARING CAP NO. 1, 2, 3, 5 & 6	5	LOOSE NOT SERVICED
13	252501159910	HEX. HEAD SCREW (FOR MAIN BEARING CAP)	14	
14	3129910260	PIN CYLINDRICAL (TO LOCATE CYL. HEAD ON BLOCK)	2	
15	252301107201	SEALING PLUG	1	
16	16220710282	SEALING WASHER 18X22 CU	1	
18	3219970020	LOCKING COVER (FOR CAMSHAFT BORE)	1	
19	252501130158	ASSY. OIL SUMP	1	
20	16220710282	SEALING, WASHER 18X22 CU	1	
21	253401130111	MAGNETIC DRAIN PLUG	1	
37	252501130172	ASSY GASKET OIL SUMP TO CYL. BLOCK	1	
34	11632496011	STUD BM 8X20 (ON FRONT & LAST HOLES OF OIL SUMP GASKET)	2	
35	252301130114	ASSY. COMBI SCREW	18	
36	252501170235	ASSY. TUBE DIPSTICK (330 LONG)	1	
38	252501170236	ASSY. DIPSTICK	1	
-	17050500101	O' RING 6X1.80 (FOR DIPSTICK)	1	
39	254701179901	DIPSTICK TUBE ADAPTER	1	
48	252701140117	ASSY. TIMING GEAR HOUSING	1	
49	252701143706	COVER, TIMING GEAR (FRONT), W/O OIL HOLE	1	
50	13050508166	PIN CYLINDRICAL 8 M 6X16	2	

CHASSIS TYPE: ALL



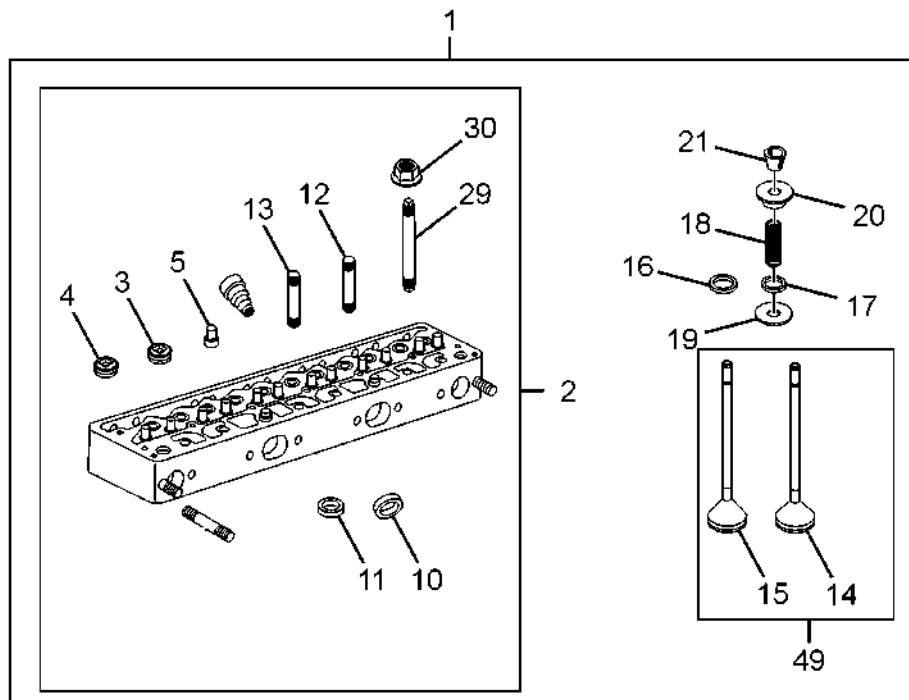
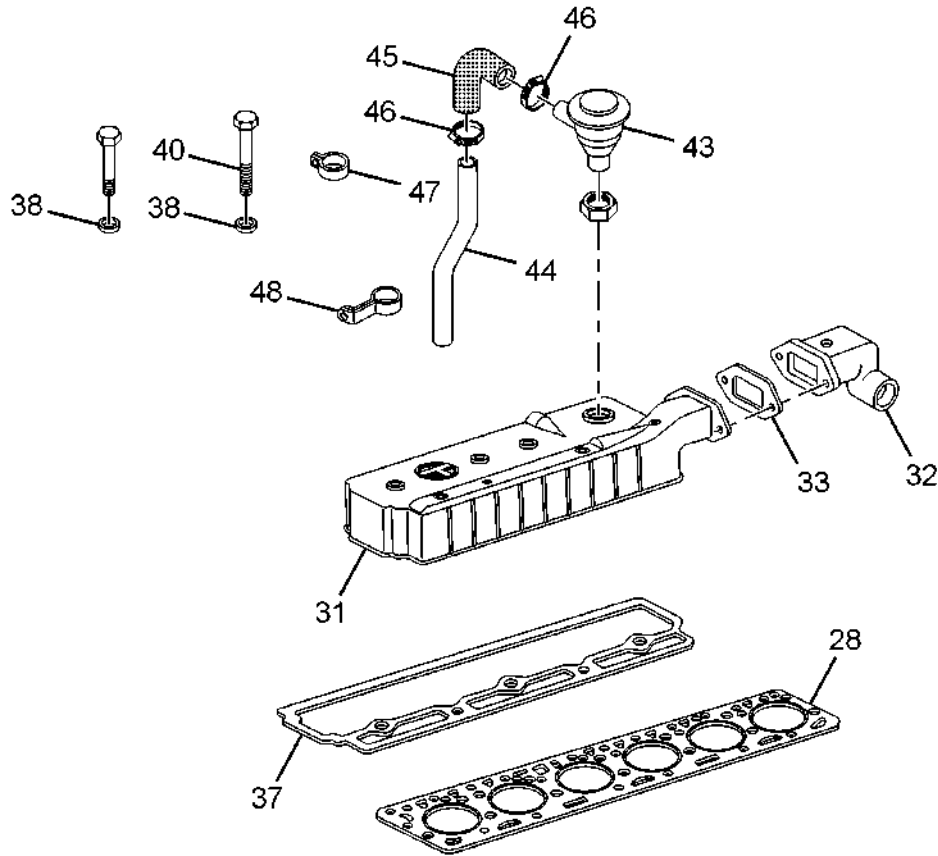
00.01.04		CYLINDER BLOCK		GROUP 01
CHASSIS TYPE: ALL				
FIG. NO.	PART NUMBER	DESCRIPTION	QTY	REMARKS
53	13050909250	PIN CYLINDRICAL (ON CYL. BLOCK MTG. FACE)	4	
54	252501145305	GASKET (T.G. HSG.)	1	
55	11323998045	SCREW M 10X25	3	
56	3129940310	LOCKING PLATE	3	
57	252501147701	PTFE SEAL-CRANKSHAFT	2	
58	3120150580	GASKET (T.G.H. COVER)	1	
59	11323998061	SCREW M 6X12	8	
60	11063806601	BOLT M 6X60	5	
61	12520698017	SPG. WASHER B 6	13	
62	12650600647	WASHER A 6.4 (COVER TO T.G. HSG.)	13	
	253401140119	ASSY. PLUG (TIMING GEAR HOUSING)	1	
66	252501140114	ASSY. COVER (PUSH ROD CHAMBER)	1	
67	252501146307	GASKET PRC COVER	1	
68	16220710096	SEALING WASHER 8X11.5 CU	4	
69	11323908453	SCREW M 8X45	4	

CHASSIS TYPE: ALL



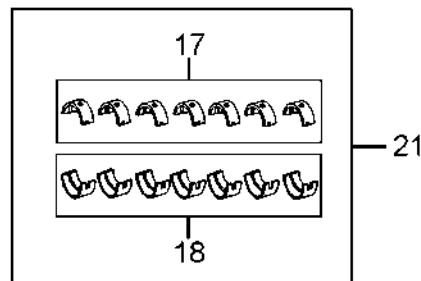
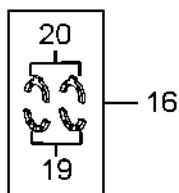
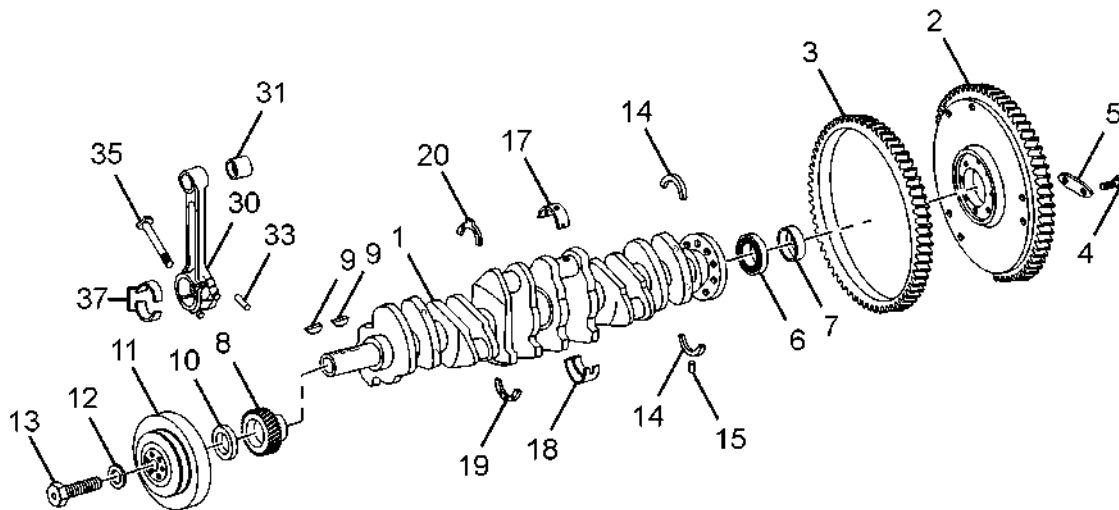
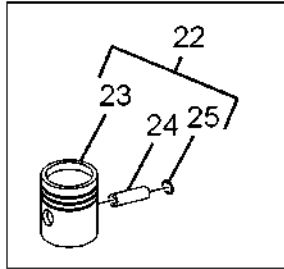
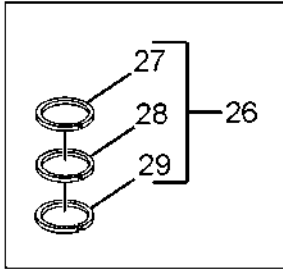
00.01.05		CYLINDER HEAD AND COVER		GROUP 01
CHASSIS TYPE: ALL				
FIG. NO.	PART NUMBER	DESCRIPTION	QTY	REMARKS
1	252501150190	ASSY.CYL.HEAD WITH VALVES (60 DEG)-BS-III	1	
2	252501150191	ASSY.CYL.HEAD WITHOUT VALVES (60 DEG)	1	
3	16081803009	PLUG MC 30X15	5	
4	16081802401	PLUG MC 24X15	2	
5	253401153204	SEAT PLUG	2	
12	253405153402	VALVE GUIDE INLET STD.	6	
13	253405153415	VALVE GUIDE EXHAUST STD.	6	
16	253405159909	VALVE GUIDE SEAL (INLET)	6	
17	253405159910	VALVE GUIDE SEAL (EXHAUST)	6	
18	253405158701	VALVE SPRING (INNER)	12	
	253405158702	VALVE SPRING (OUTER)	12	
19	3529902040	VALVE SPRING WASHER	12	
20	252505155102	LOCK RETAINER VALVE SPRING	12	
21	3120530127	VALVE SPRING LOCK HALF	24	
28	252501155336	GASKET(CYL.HEAD TO CYL.CRANKCASE)EUROIII	1	
29	3229900505	STUD BOLT CYL CRANKCASE	25	SET A OPTIONAL WITH SET B
30	3150380072	HEX NUT	25	SET A OPTIONAL WITH SET B
29	252501159912	HEX.COLLAR BOLT W/ RELIEF GROOVE FOR CYL. HEAD	25	SET B OPTIONAL WITH SET A
31	252501153884	CYL.HEAD COVER (INJ. OUTSIDE REAR ENTRY)	1	
32	252501153882	AIR INTAKE ELBOW	1	
	252701159903	STRAIGHT REDUCER	1	
33	252501155344	GASKET (FOR FLANGE CONNECTION)	1	
37	252501155348	GASKET (CYLINDER HEAD COVER)	1	
	253401150177	ASSY. ISOLATOR	15	
38	253401159201	WASHER (CYL. HEAD COVER MTG.)	15	
40	253401158808	HEX FLANGE BOLT (M8X147L)	7	
	252501158803	HEX.FLANGE BOLT (FOR AL COVER)	2	
	252501158805	HEX.FLANGE BOLT (FOR AL COVER)	6	
43	252301170196	ASSY OIL SEPARATOR (ON CYL.HEAD COVER)	1	
44	252301176941	TUBE	1	
45	252501175812	HOSE (OIL SEPERATOR)	1	
46	14280500357	HOSE CLAMP 35	2	

CHASSIS TYPE: ALL



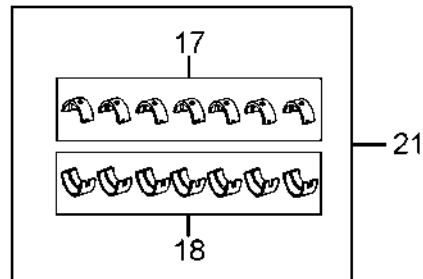
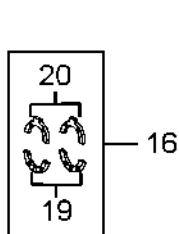
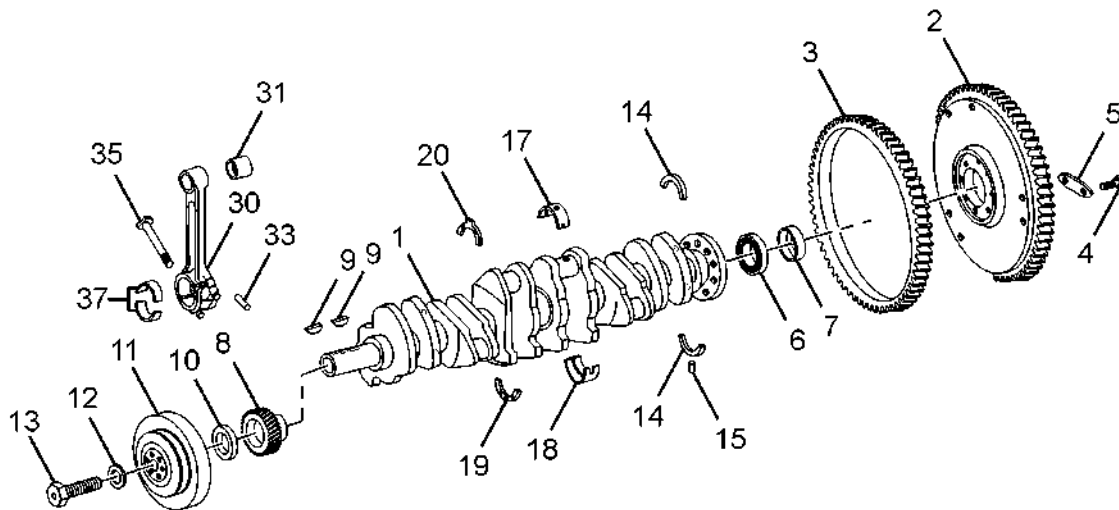
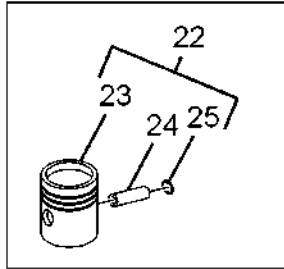
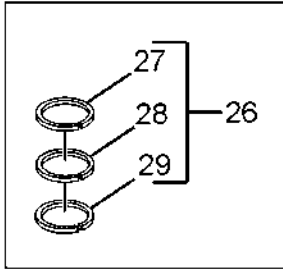
00.01.05		CYLINDER HEAD AND COVER		GROUP 01	
CHASSIS TYPE: ALL					
FIG. NO.	PART NUMBER	DESCRIPTION	QTY	REMARKS	
47	252301174217	CLAMP UPPER	1		
48	252301174219	CLAMP LOWER	1		
49	885401182525	SET INLET & EXHAUST VALVE	1		
14	-	VALVE-INLET	6	NOT SERVICED LOOSE	
15	-	VALVE-EXHAUST	6	NOT SERVICED LOOSE	
—	885401172525	SET OF VALVE SEAT RINGS (STD) ; CONSISTS OF :	1		
10	-	VALVE SEAT RING INLET STD	6	NOT SERVICED LOOSE	
11	-	VALVE SEAT RING EXHAUST STD	6	NOT SERVICED LOOSE	

CHASSIS TYPE: ALL



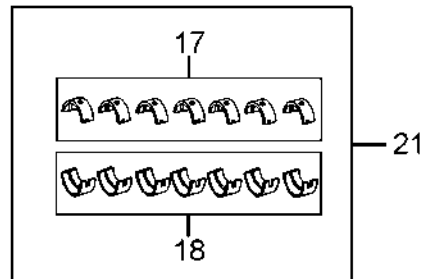
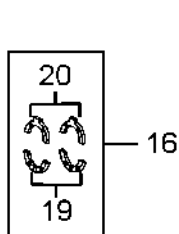
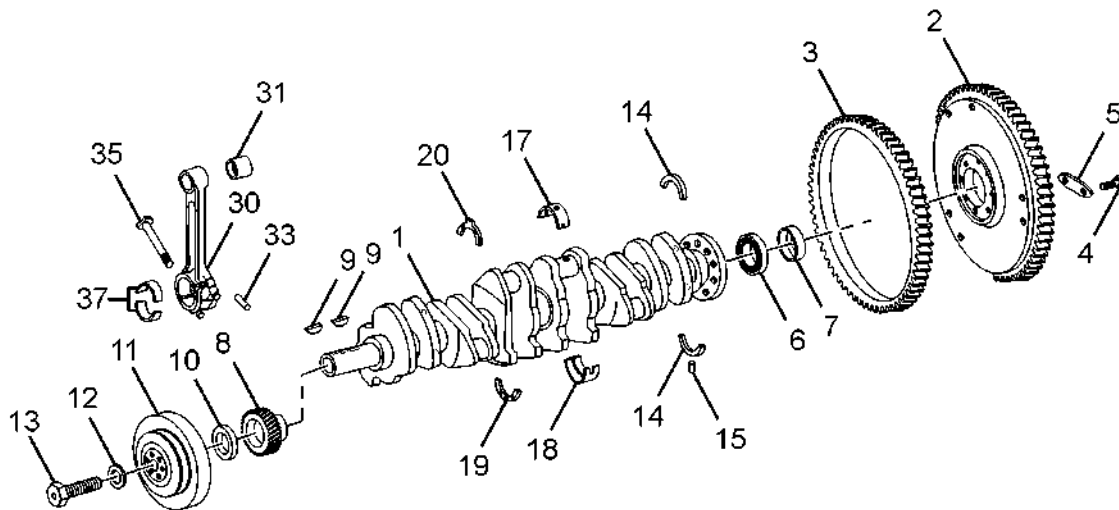
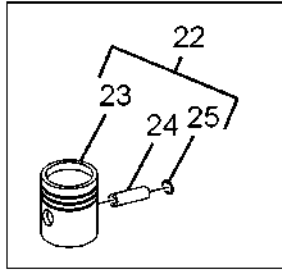
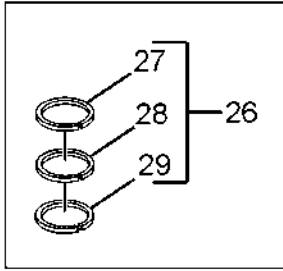
00.03.01		MOVING PARTS		GROUP 03	
CHASSIS TYPE: ALL					
FIG. NO.	PART NUMBER	DESCRIPTION	QTY	REMARKS	
1	252503107956	CRANK SHAFT STD.	1		
2	252503110138	ASSY. FLYWHEEL WITH RING GEAR	1		
3	3520321105	RING GEAR	1		
4	3129900301	BOLT	8		
5	3129940232	LOCKING PLATE	4		
6	253403103102	BALL BEARING	1		
7	3120310533	LOCKING RING (IN CRANKSHAFT TO FIX THE BEARING)	1		
8	3520520003	CRANK SHAFT GEAR	1		
9	13650510091	WOODRUFF KEY 8X13	2		
10	252503138603	SPACER	1		
--	252503138201	OIL SLINGER	1		
11	3520303103	ASSY. VIBRATION DAMPER (DOUBLE GROOVE)	1		
12	252303138603	THRUST SPACER	1		
13	252303133202	LOCK (V. DAMPER)	1		
14	252503107802	SEALING RING HALF	2		
15	1869910055	PIN	2		
MAIN BEARING SET					
21	252503120161	MAIN BEARING SET (STD); CONSISTS OF :	1		
17	-	BEARING UPPER HALF STD	7		
18	-	BEARING LOWER HALF STD	7		
THRUST WASHER SET					
16	885403762525	THRUST WASHER SET (STD); CONSISTS OF :	1	FOR SELECTION	
20	-	THRUST WASHER UPPER HALF (116 MM DIA.) STD	2		
19	-	THRUST WASHER LOWER HALF (116 MM DIA.) STD	2		
16	885403772525	THRUST WASHER SET (RS I);CONSISTS OF :	1	FOR SELECTION	
20	-	THRUST WASHER UPPER HALF (116 MM DIA.) RS I	2		
19	-	THRUST WASHER LOWER HALF (116 MM DIA.) RS I	2		
16	885403782525	THRUST WASHER SET (RS II) ; CONSISTS OF :	1	FOR SELECTION	
20	-	THRUST WASHER UPPER HALF (116 MM DIA.) RS II	2		

CHASSIS TYPE: ALL



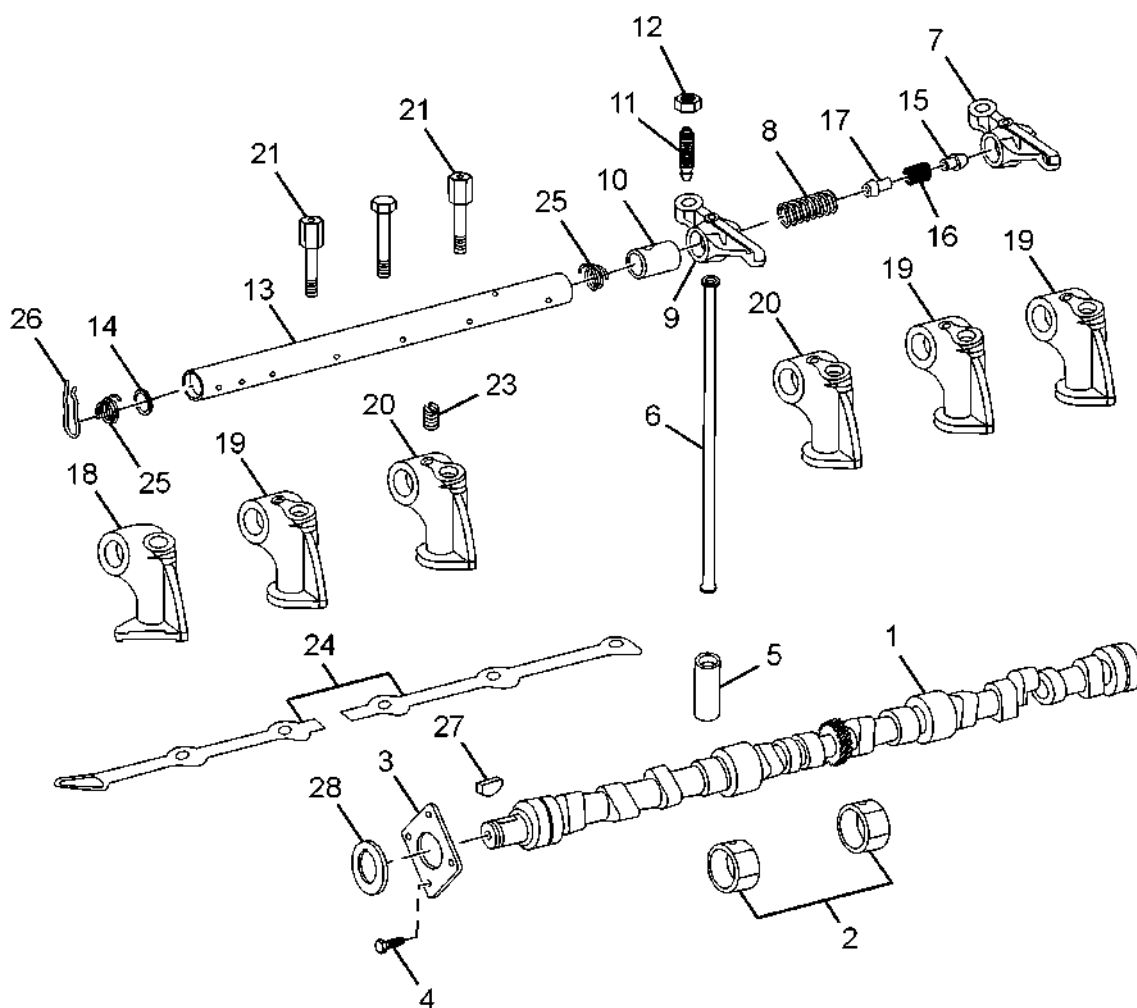
00.03.01		MOVING PARTS		GROUP 03	
CHASSIS TYPE: ALL					
FIG. NO.	PART NUMBER	DESCRIPTION	QTY	REMARKS	
19	-	THRUST WASHER LOWER HALF (116 MM DIA.) RS II	2		
		PISTON SET			
22	252503990161	SET OF BARE PISTON STD, BS III ;	1		
		CONSISTS OF :			
23	-	PISTON	6		
24	-	PISTON PIN	6		
25	-	CIRCLIP	12		
		RING SET			
26	252503990164	SET OF PISTON RING BS III STD ;	1		
		CONSISTS OF :			
27	-	DOUBLE TRAPEZ RING (GR I)	6		
28	-	COMPRESSION RING (GR II)	6		
29	-	ASSY.OIL CONTROL RING (GR III)	6		
		CONNECTING ROD			
30	252503150125	ASSY. CON. ROD (STD) WITH BUSH	6	OPTIONAL	
30	252503150107	ASSY. CON. ROD SERRATED (STD) WITH BUSH	6	OPTIONAL	
31	885403682525	CON. ROD BUSH SET STD ; CONSISTS OF :	1		
	-	CON. ROD BUSH STD	6		
33	13050507143	PIN CYLINDRICAL 6X14	12		
35	252503153205	SCREW CON. ROD	12		
		CONNECTING ROD BEARING SET			
37	885403622525	BEARING SET FOR CON. ROD (STD)	1	FOR SELECTION	
	-	CONSISTING OF :			
—	-	BEARING HALF (UPPER & LOWER) STD	12		
37	885403642525	BEARING SET FOR CON. ROD. RS I	1	FOR SELECTION	
	-	CONSISTING OF :			
—	-	BEARING HALF (UPPER & LOWER) RS I	12		
37	885403652525	BEARING SET FOR CON. ROD. RS II	1	FOR SELECTION	
	-	CONSISTING OF :			
—	-	BEARING HALF (UPPER & LOWER) RS II	12		
37	885403662525	BEARING SET FOR CON. ROD. RS III	1	FOR SELECTION	
	-	CONSISTING OF :			
—	-	BEARING HALF (UPPER & LOWER) RS III	12		
37	885403672525	BEARING SET FOR CON. ROD. RS IV	1	FOR SELECTION	
	-	CONSISTS OF :			

CHASSIS TYPE: ALL



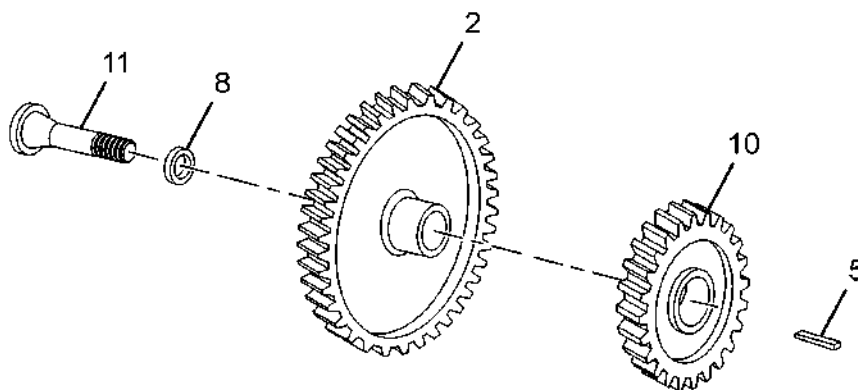
00.03.01		MOVING PARTS		GROUP 03	
CHASSIS TYPE: ALL					
FIG. NO.	PART NUMBER	DESCRIPTION	QTY	REMARKS	
—	-	BEARING HALF (UPPER & LOWER) RS IV	12		
—	885403082525	KIT, CRANKSHAFT SEALING RING WITH LOCATING PINS CONSISTING OF :	1		
14	-	SEALING RING HALF	2		
15	-	LOCATING PIN	2		

CHASSIS TYPE: ALL



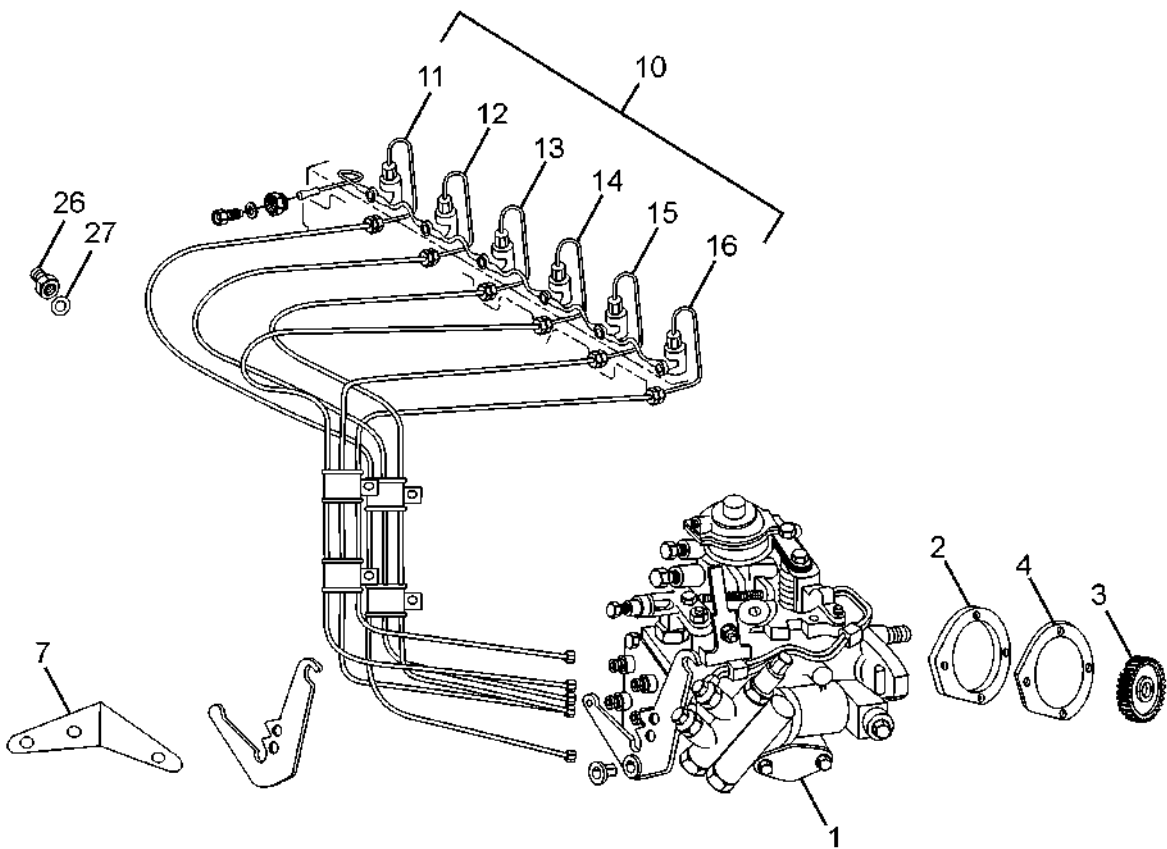
00.05.01		ENGINE TIMING (CAMSHAFT AND COMPONENTS)		GROUP 05
CHASSIS TYPE: ALL				
FIG. NO.	PART NUMBER	DESCRIPTION	QTY	REMARKS
1	252505100140	CAMSHAFT WITH CYLINDER PIN STD	1	
2	885405042525	SET OF BEARINGS CAMSHAFT	1	
	-	CONSISTING OF :		
	-	BEARING NO. 1	1	LOOSE NOT SERVICED
	-	BEARING NO. 2, 3 AND 4	3	LOOSE NOT SERVICED
3	3520520762	THRUST WASHER (CAMSHAFT TO CYL. BLOCK)	1	
4	3129900004	HEX SCREW (TO THRUST WASHER)	4	
5	253405139902	VALVE TAPPET	12	
6	3520540205	PUSH ROD	12	
7	3520501033	ROCKER ARM LEFT WITH BUSH	6	
8	3129930701	SPRING (LONG)	5	
9	3520500634	ROCKER ARM RIGHT WITH BUSH	6	
10	3120550050	BUSH	6	
11	252305146701	BALL END TAPPET ADJUSTER	12	
12	3129900251	HEX. NUT (BALL PIN)	12	
-	252305140102	ASSY ROCKER ARM SHAFT WITH BUSH FRONT	1	
-	252305140103	ASSY ROCKER ARM SHAFT WITH BUSH REAR	1	
13	3120500231	ROCKER ARM SHAFT	2	
14	17071001407	SEALING CAP	2	
15	3120550653	CONNECTING NIPPLE, INNER	1	
16	3129934701	SPRING, CONNECTING NIPPLE	1	
17	3120550553	CONNECTING NIPPLE, OUTER	1	
18	3520550610	ROCKER ARM SUPPORT NO. 1	1	
19	3520550410	ROCKER ARM SUPPORT NO. 2, 5, 6	3	
20	3520550510	ROCKER ARM SUPPORT NO. 3, 4	2	
21	3120550171	BOLT (TO ROCKER ARM BRACKETS)	4	
23	11433206101	GRUB SCREW AM 6X10, (ROCKER ARM SUPPORT TO ROCKER ARM SHAFT)	2	
25	3129930005	SPRING (SHORT)	2	
26	3129930025	SPRING CLIP (TO SPRINGS AND ROCKER ARM SHAFT)	2	
27	252305105901	PARALLEL KEY	1	
28	3520510062	BUTTING RING (TIMER TO CAMSHAFT)	1	

CHASSIS TYPE: ALL



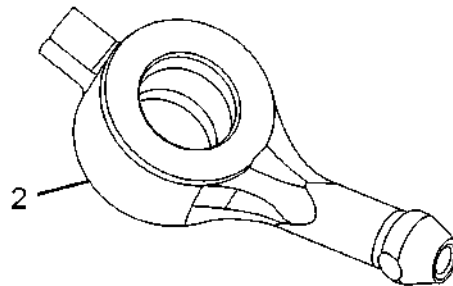
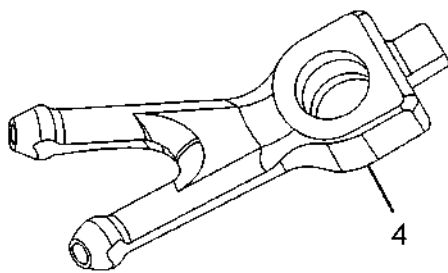
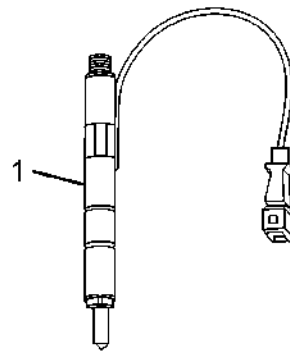
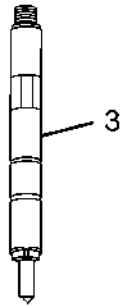
00.05.02		INJECTION TIMER		GROUP 05	
CHASSIS TYPE: ALL					
FIG. NO.	PART NUMBER	DESCRIPTION	QTY	REMARKS	
2	252707135401	DRIVE GEAR, FIP EURO II	1		
5	252305105901	PARALLEL KEY (TIMER TO CAMSHAFT)	1		
8	3520510062	BUTTING RING (TIMER TO CAMSHAFT)	1		
10	252705115403	GEAR CAMSHAFT EURO II	1		
11	3520750071	PIN (TIMER MOUNTING)	1		

CHASSIS TYPE: ALL



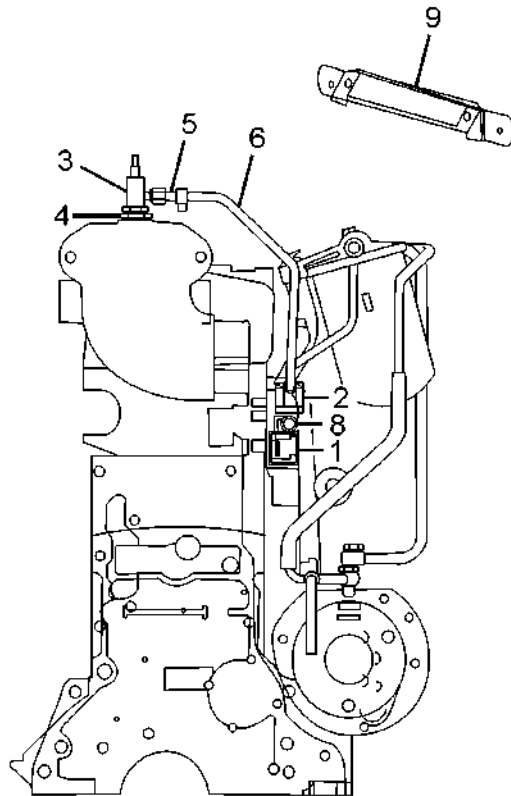
00.07.01		FUEL INJECTION EQUIPMENT		GROUP 07
CHASSIS TYPE: ALL				
FIG. NO.	PART NUMBER	DESCRIPTION	QTY	REMARKS
1	252507120147	ASSY. FIP (ROTARY) EURO III	1	MICO NO.0460426991
2	252707123702	SUPPORT(FOR FUEL INJECTION PUMP):E-III	1	
3	252707135402	INJECTION PUMP GEAR EURO II	1	
4	252707125302	GASKET, SUPPORT EURO II	1	
—	254707129201	HARDENED WASHER EURO II	3	
—	13650505063	WOODRUFF KEY 4X6.5	1	
7	252507123302	REAR SUPPORT BRACKET(FIP TO BLOCK)E-III	1	
	252707125301	GASKET (FOR SUPPORT INJ.PUMP):EURO II	1	
10	252507140167	KIT H.P.LINES (ROTARY FIP)	1	
11	-	HIGH PRESSURE LINE 1ST CYL.	1	
12	-	HIGH PRESSURE LINE 2ND CYL.	1	
13	-	HIGH PRESSURE LINE 3RD CYL.	1	
14	-	HIGH PRESSURE LINE 4TH CYL.	1	
15	-	HIGH PRESSURE LINE 5TH CYL.	1	
16	-	HIGH PRESSURE LINE 6TH CYL.	1	
-	0120780085J	CLAMP UPPER	2	
-	0120700066J	ASSY. CLAMP LOWER	2	
-	252507145802	HOSE (REDUCER FOR LEAKAGE):L=300MM	1	
26	252007144203	SEAL CLAMP	6	
27	252007148001	HOLLOW SCREW	6	

CHASSIS TYPE: ALL



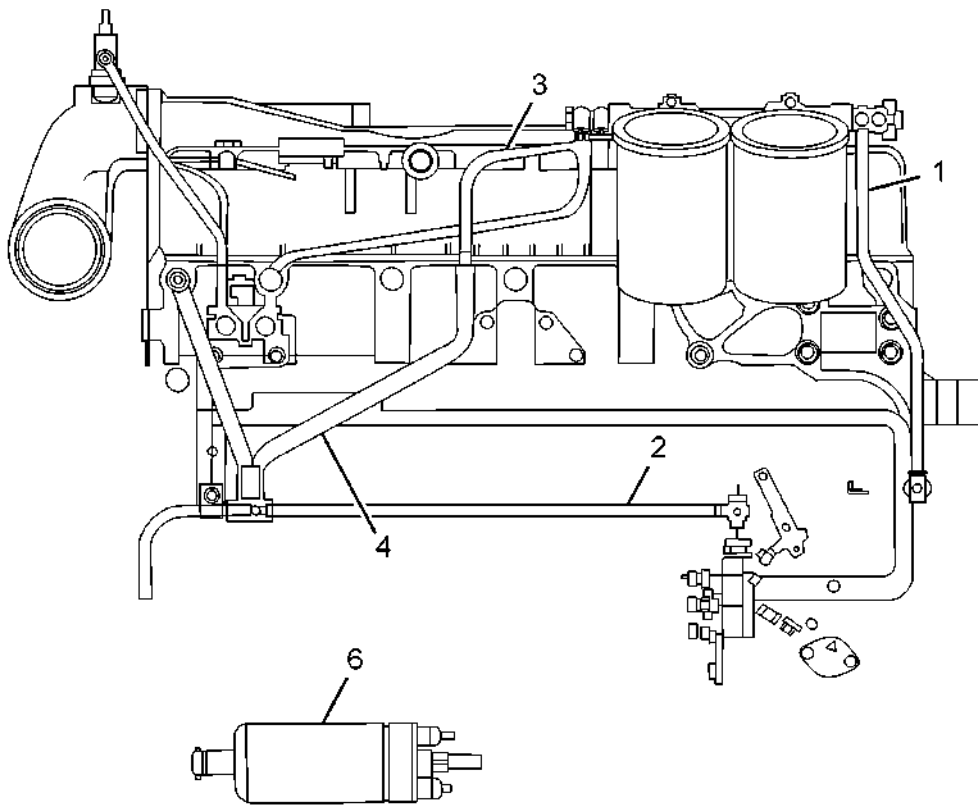
00.07.02		INJECTOR		GROUP 07	
CHASSIS TYPE: ALL					
FIG. NO.	PART NUMBER	DESCRIPTION	QTY	REMARKS	
1	252501160128	ASSY.INJECTOR NBEF TYPE 697 E III MICO	1	MICO NO.0432003628	
2	252501169903	NOZZLE 697 EURO III NBF I TYPE MICO	1		
	252701163807	CONNECTOR ONE TUBE(MIM)	1		
	253401169915	NOZZLE HOLDER 4SP/497 BS-III(NBFE INJECR	1		
3	252501160127	ASSY.INJECTOR NORMAL 697 EURO III MICO	5	MICO NO.0432003628	
	252501169902	NOZZLE 697 EURO III NORMAL INJ.TYPE MICO	5		
4	252701163808	CONNECTOR TWO TUBES(MIM)	5		
	253401169913	NOZZLE HOLDER NORMAL 4SP/497 NORMAL INJ.	5		
	252701169203	SEALING WASHER	6		
	252707144203	WASHER	6		
	252701163202	BANJO BOLT	6		

CHASSIS TYPE: ALL



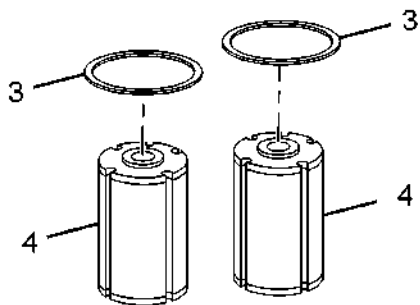
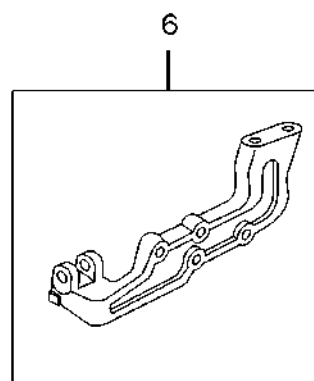
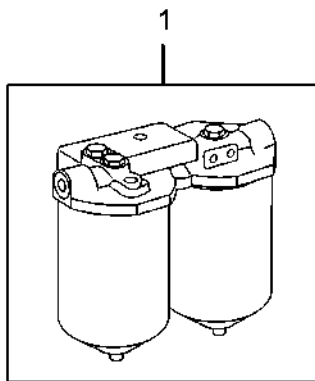
00.07.03		FLAME START		GROUP 07	
CHASSIS TYPE: ALL					
FIG. NO.	PART NUMBER	DESCRIPTION	QTY	REMARKS	
1	252507153303	BRACKET-ELECTROMAGNETIC VALVE(24V)MTG.	1		
2	264354249904	ELECTROMAGNETIC VALVE 24V	1		
3	264354249909	FLAME GLOW PLUG (24V)-M/S.BERU	1		
4	16220710380	SEALING WASHER 24X29 IS3175 CU	1		
5	252507150103	ASSY.CONNECTING PIPE	1		
6	252507155803	RUBBER HOSE (400L)	1		
-	254707144201	CLAMP (INJECTOR OVERFLOW TUBE)	4		
8	252507150102	ASSY.PIPE UNION (FLAME START)	2		
9	264354200120	ASSY BRACKET (BLOCK HEATER CONTROL MTG.)	1		

CHASSIS TYPE: ALL



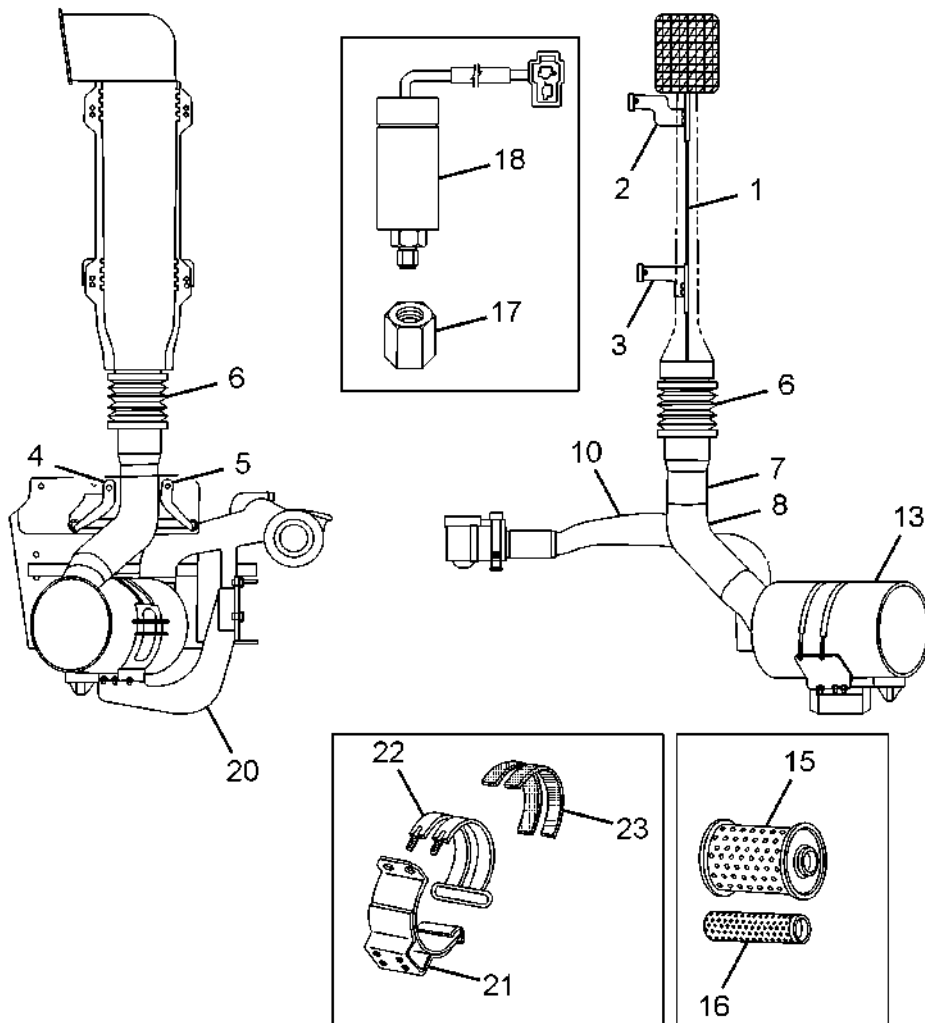
00.09.01		FUEL FEED AND LEAKAGE LINE		GROUP 09	
CHASSIS TYPE: ALL					
FIG. NO.	PART NUMBER	DESCRIPTION	QTY	REMARKS	
1	252509120204	ASSY.FUEL LINE (FUEL FILTER TO FIP)	1		
2	252509120224	ASSY.OVERFLOW LINE (WITH OVERFLOW CONN)	1		
3	252509120225	ASSY. OVERFLOW LINE (FROM FUEL FILTER)	1		
4	252509125812	HOSE (FOR ASSY.OVERFLOW LINE)	1		
	14280500128	HOSE CLAMP 12	4		
6	252707100189	ELECTRIC FUEL FEED PUMP	1		

CHASSIS TYPE: ALL



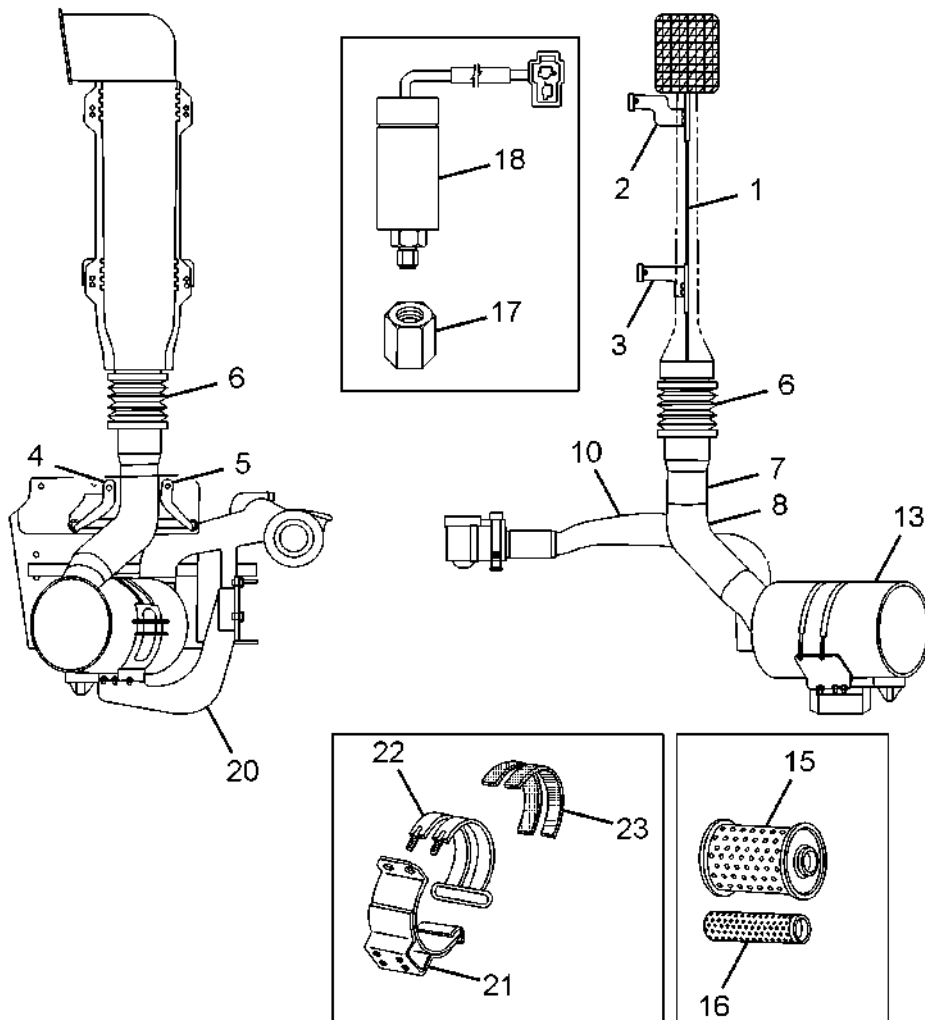
00.09.02		FUEL FILTER		GROUP 09	
CHASSIS TYPE: ALL					
FIG. NO.	PART NUMBER	DESCRIPTION	QTY	REMARKS	
1	252509120213	ASSY.FUEL FILTER & OVER FLOW VALVE	1	MICO NO.F002A10695	
3	2916710609	SEALING RING	2		
4	0004770015J	FILTER INSERT STAGE I	1		
5	252509120215	ASSY.OVERFLOW VALVE	1		
6	252509113711	BRACKET FUEL FILTER BS II	1		

CHASSIS TYPE: 381226



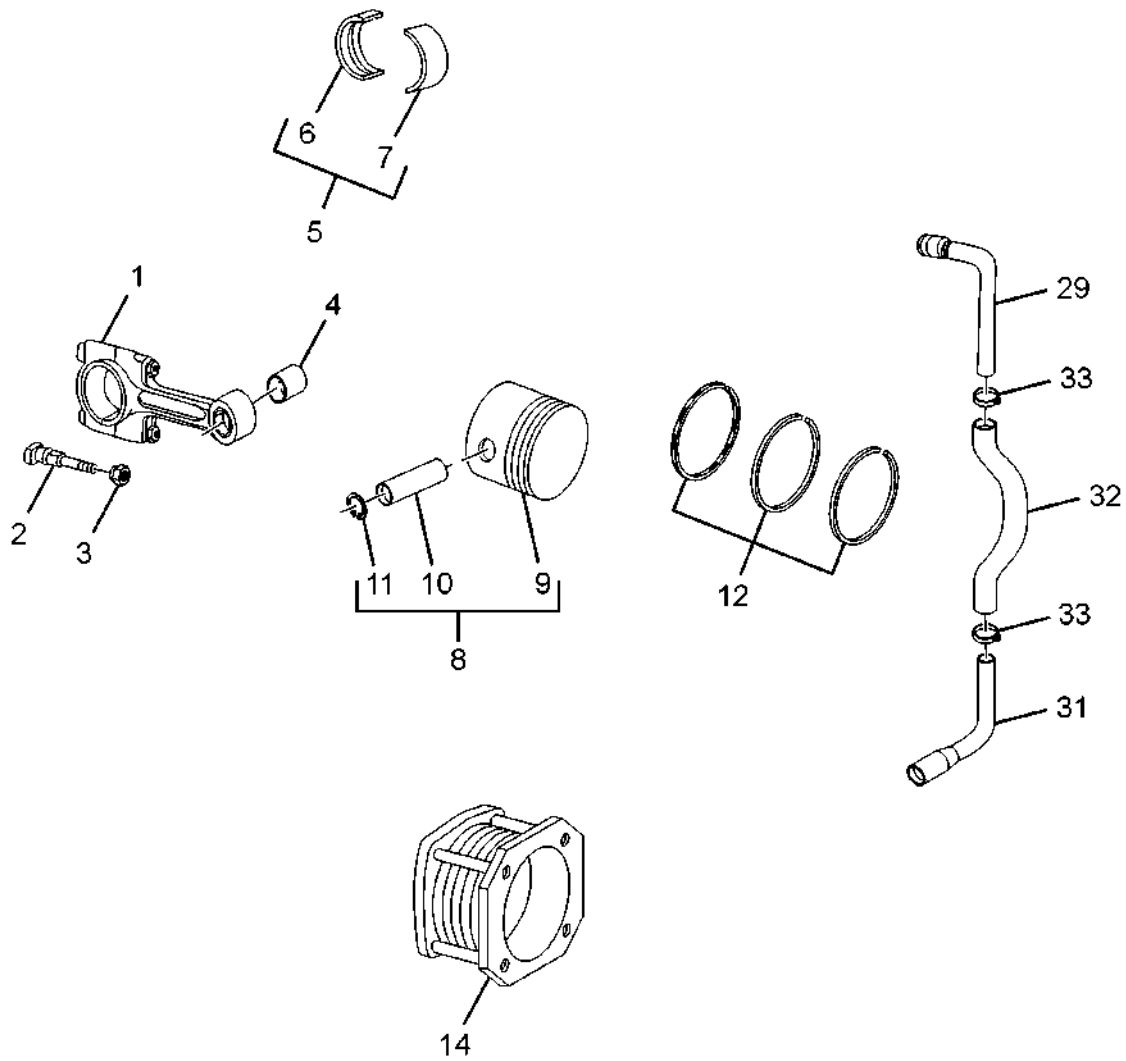
00.09.03A		AIR FILTER		GROUP 09	
CHASSIS TYPE: 381226					
FIG. NO.	PART NUMBER	DESCRIPTION	QTY	REMARKS	
1	278609130333	ASSY.AIR INLET DUCT (SIDE ENTRY)	1		
2	278609130322	ASSY.BRACKET (AIR INLET DUCT MTG.TOP)	1		
3	278609130289	ASSY.BRACKET (AIR INLET DUCT MTG.BOTTOM)	1		
4	252509148255	BRACKET-LH (FOR SNORKEL PIPE MTG)	1		
5	252509148256	BRACKET-RH(FOR SNORKEL PIPE MTG)	1		
6	252509145824	RUBBER BELLOW (AIR INLET SNORKEL TO PIPE	1		
7	252509140201	ASSY. AIR INTAKE PIPE (SNORKEL TO AIR FILTER)	1		
8	252509145826	HOSE (ON AIR FILTER INLET) (114 IDX130L)	1		
-	14280598144	HOSE CLAMP TB-126	2		
-	278609135826	HOSE (102 ID X 120 L) (ON AIR FILTER OUTLET)	1		
-	14280598209	HOSE CLAMP TB 112	2		
10	252509133818	AIR INTAKE PIPE (AIR FILTER TO TC)	1		
-	252509145802	HOSE (ON TC INLET).	1		
13	252509140175	ASSY.AIR FILTER	1		
15	278609139910	AIR FILTER ELEMENT-PRIMARY	1		
16	278609139911	AIR FILTER ELEMENT-SAFETY	1		
17	278609139901	ADAPTER(FOR SERVICE INDICATOR)	1		
18	277054509901	ELECT.SERVICE IND.SWITCH	1		
20	252509140174	SUPPORT(AIR FILTER)	1		
21	252509140161	ASSY.AIR FILTER MTG.BRACKET	1		
22	278509130101	ASSY.STRAP WITH SHACKLE	1		
23	252509139934	RUBBER STRAP	2		
	14280598322	HOSE CLAMP TB 66	2		

CHASSIS TYPE: 381313



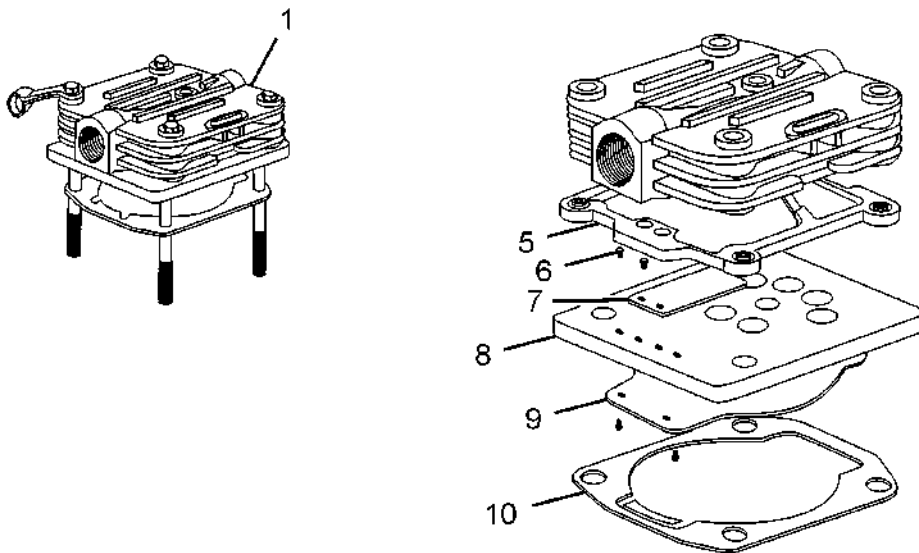
00.09.03B		AIR FILTER		GROUP 09
CHASSIS TYPE: 381313				
FIG. NO.	PART NUMBER	DESCRIPTION	QTY	REMARKS
1	278609130333	ASSY.AIR INLET DUCT (SIDE ENTRY)	1	
2	278609130322	ASSY.BRACKET (AIR INLET DUCT MTG.TOP)	1	
3	278609130289	ASSY.BRACKET (AIR INLET DUCT MTG.BOTTOM)	1	
4	252509148255	BRACKET-LH (FOR SNORKEL PIPE MTG)	1	
5	252509148256	BRACKET-RH(FOR SNORKEL PIPE MTG)	1	
6	252509145824	RUBBER BELLOW (AIR INLET SNORKEL TO PIPE	1	
7	252509140201	ASSY. AIR INTAKE PIPE (SNORKEL TO AIR FILTER)	1	
8	252509145826	HOSE (ON AIR FILTER INLET) (114 IDX130L)	1	
-	14280598144	HOSE CLAMP TB-126	2	
-	252509145823	HOSE (102 I.D.X120X120)	1	
-	14280598209	HOSE CLAMP TB 112	2	
10	252509133818	AIR INTAKE PIPE (AIR FILTER TO TC)	1	
-	252509145825	HOSE ON TC INLET	1	
13	252509140175	ASSY.AIR FILTER	1	
15	278609139910	AIR FILTER ELEMENT-PRIMARY	1	
16	278609139911	AIR FILTER ELEMENT-SAFETY	1	
17	278609139901	ADAPTER(FOR SERVICE INDICATOR)	1	
18	277054509901	ELECT.SERVICE IND.SWITCH	1	
20	252509140174	SUPPORT(AIR FILTER)	1	
21	252509140161	ASSY.AIR FILTER MTG.BRACKET	1	
22	278509130101	ASSY.STRAP WITH SHACKLE	1	
23	252509139934	RUBBER STRAP	2	
	14280598322	HOSE CLAMP TB 66	2	

CHASSIS TYPE: ALL



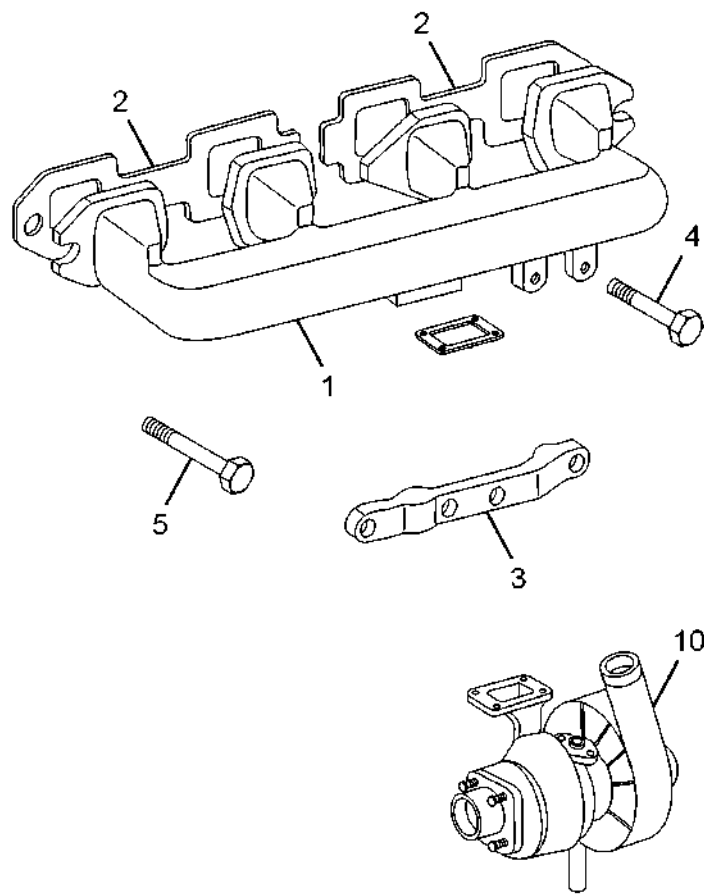
00.13.01		AIR COMPRESSOR 94 DIA		GROUP 13	
CHASSIS TYPE: ALL					
FIG. NO.	PART NUMBER	DESCRIPTION	QTY	REMARKS	
1	3521300216	ASSY. CONNECTING ROD (AIR COMPRESSOR)	1		
2	3211310171	GUIDE SCREW, CON. ROD	2		
3	3219900251	HEX. NUT	2		
4	885413262525	BUSH (CON. ROD A/C)	1		
5	885413222525	SET OF CON. ROD BEARING STD	1		
6	-	BEARING HALF LOWER STD	1	LOOSE NOT SERVICED	
7	-	BEARING HALF UPPER STD	1	LOOSE NOT SERVICED	
8	885413102525	ASSY. PISTON STD. (W/O RINGS)	1		
9	-	PISTON STD.	1	LOOSE NOT SERVICED	
10	-	PISTON PIN	1	LOOSE NOT SERVICED	
11	-	INTERNAL CIRCLIP	2	LOOSE NOT SERVICED	
12	885413132525	SET OF PISTON RINGS CONSISTING OF :	1		
	-	SCRAPER RING	3		
14	252513103707	CYL. SLEEVE STD	1		
29	252513136904	ASSY. TUBE	1		
31	252513130112	ASSY. TUBE	1		
32	252513135811	HOSE (CYL HEAD COVER TO AIR COMP)	1		
33	14270202501	HOSE CLIP 25	2		
—	3521340056	ADAPTOR	1		

CHASSIS TYPE: ALL



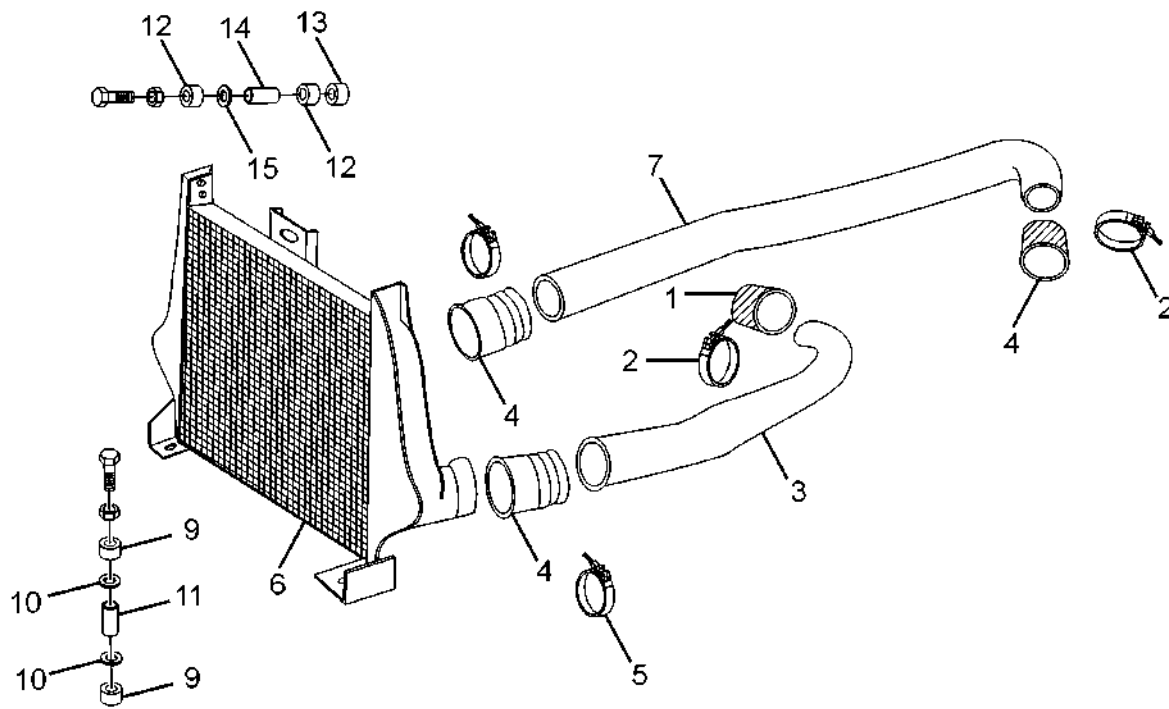
00.13.02		AIR COMPRESSOR HEAD (REED VALVE TYPE) 94 DIA		GROUP 13
CHASSIS TYPE: ALL				
FIG. NO.	PART NUMBER	DESCRIPTION	QTY	REMARKS
1	252513100126	ASSY. AIR COMPRESSOR HEAD (REED VALVE TYPE) 94 DIA	1	
—	252513100149	ASSY. REED VALVE ASSY CONSISTING OF :	1	
6	-	LOCATING PIN	4	
7	-	DELIVERY REED	1	
8	-	VALVE PLATE	1	
9	-	INLET REED	1	
10	252513100127	GASKET (JOINT) (BET.. HEAD ASSY. AND CYL. SLEEVE)	1	
	252513990105	REPAIR KIT, AIR COMPRESSOR HEAD CONSISTING OF :	1	
5	-	GASKET (JOINT)	1	
6	-	LOCATING PIN	4	
10	-	GASKET (JOINT) (BET.. HEAD ASSY. AND CYL. SLEEVE)	1	

CHASSIS TYPE: ALL



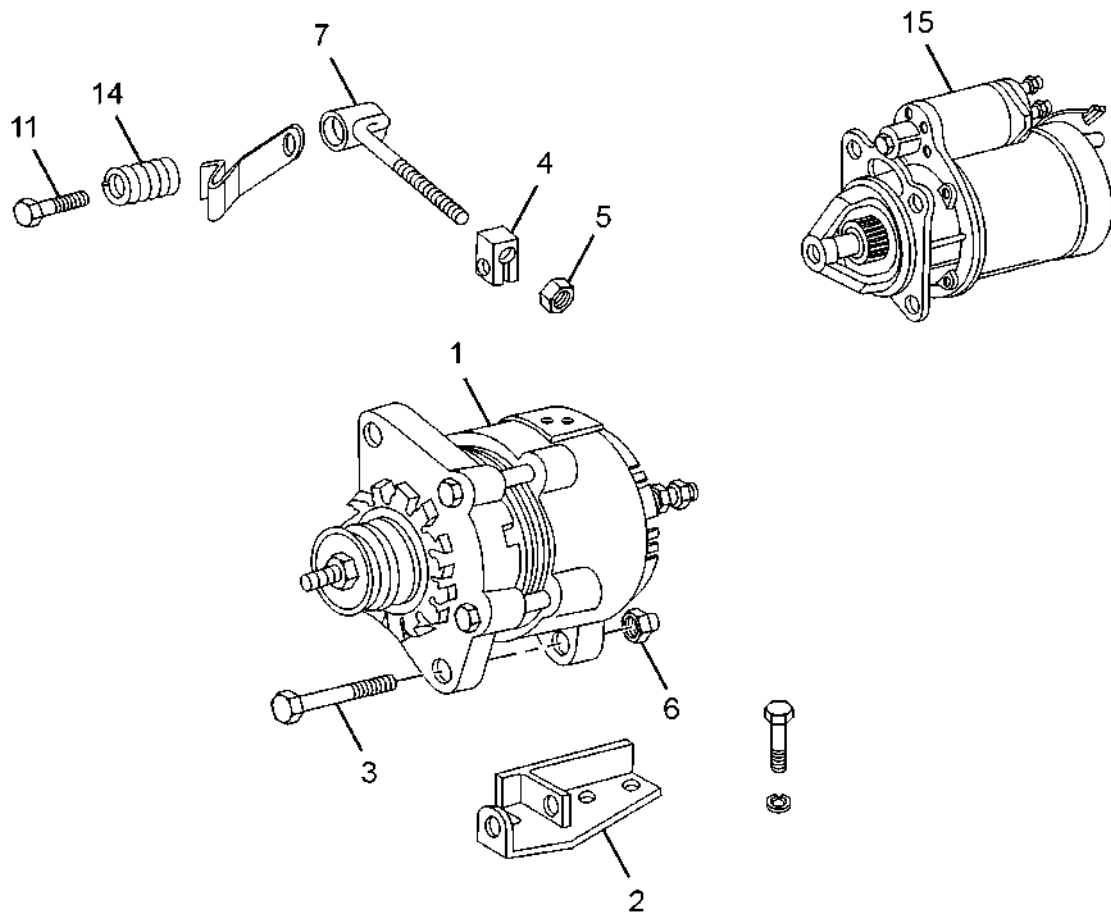
00.14.01		EXHAUST MANIFOLD AND TURBOCHARGER		GROUP 14	
CHASSIS TYPE: ALL					
FIG. NO.	PART NUMBER	DESCRIPTION	QTY	REMARKS	
1	252514113781	EXHAUST MANIFOLD	1		
2	252514115308	GASKET (EXHAUST MANIFOLD TO CYL. HEAD)	2		
3	252514115102	CLAMP (EXHAUST MANIFOLD)	2		
4	11064010699	HEX. BOLT M 10X110	6		
5	252514113203	HEX. BOLT (115 MM LONG)	2		
—	252514119201	WASHER	4		
10	252514510126	ASSY. TURBOCHARGER - LPT 613 E-III	1		

CHASSIS TYPE: ALL



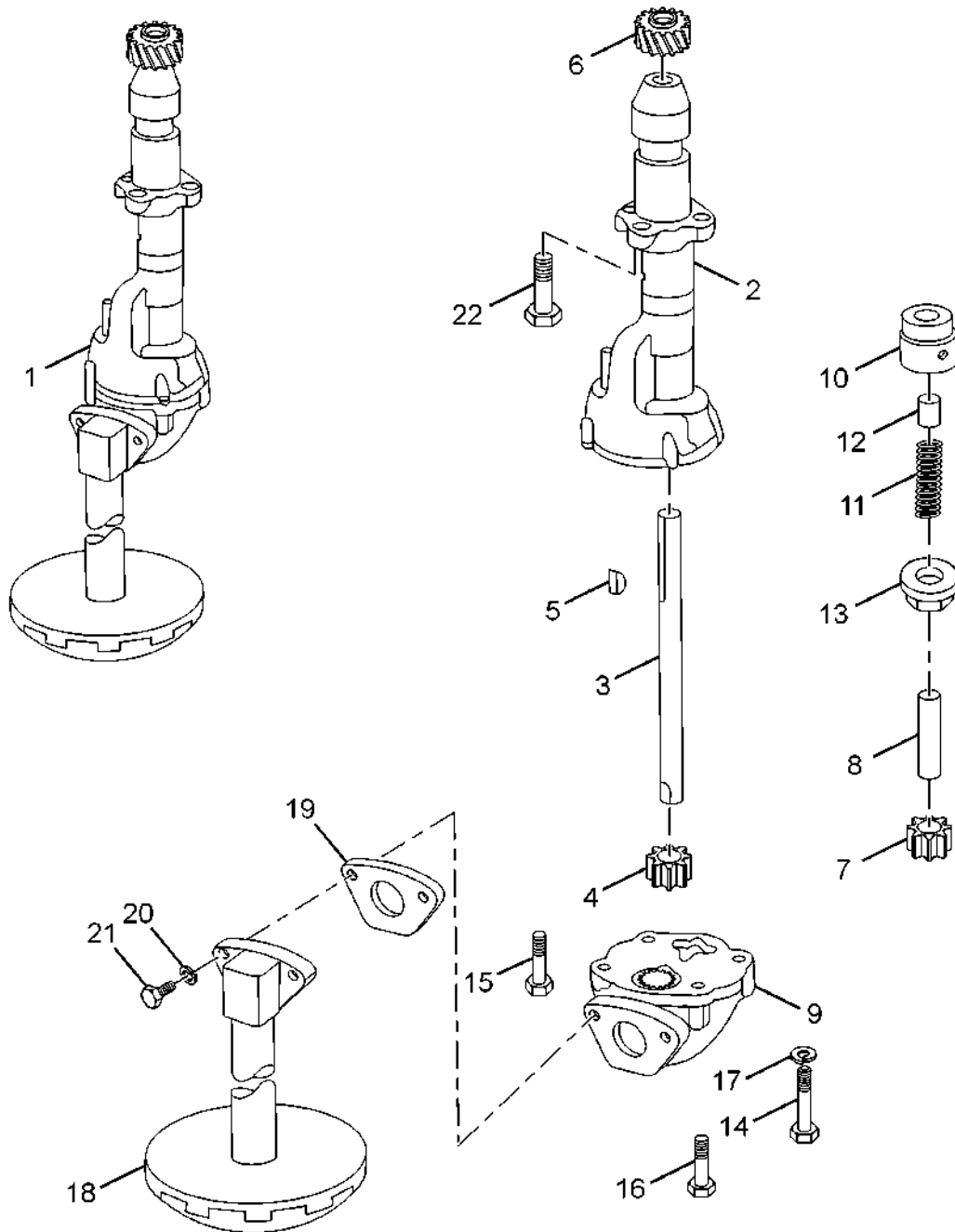
00.14.02		INTERCOOLER AND CONNECTIONS		GROUP 14	
CHASSIS TYPE: ALL					
FIG. NO.	PART NUMBER	DESCRIPTION	QTY	REMARKS	
1	252514605807	HOSE (TC OUTLET)	1		
2	14280599221	HOSE CLAMP SLTB 44	2		
3	252514606910	PIPE (TC TO IC)	1		
4	252514605806	HOSE HUMP (DIA.76ID)	3		
5	14280599272	HOSE CLAMP SLTB 84	6		
6	252514609906	INTERCOOLER	1		
7	252514603808	CAST PIPE (IC TO AIR INTAKE ELBOW)	1		
—	278609134204	ASSY. CLAMP	4		
9	252514607501	RUBBER BUFFER	4		
10	278614609201	WASHER	2		
11	257450006906	SPACER TUBE (25.5 LONG)	1		
12	252550006303	RUBBER BUFFER (40 O.D. X 24)	2		
13	252550006302	RUBBER BUFFER (38 DIA X 12THK)	1		
14	257350006902	SPACER TUBE (60 LONG)	2		
15	278614609201	WASHER	1		

CHASSIS TYPE: ALL



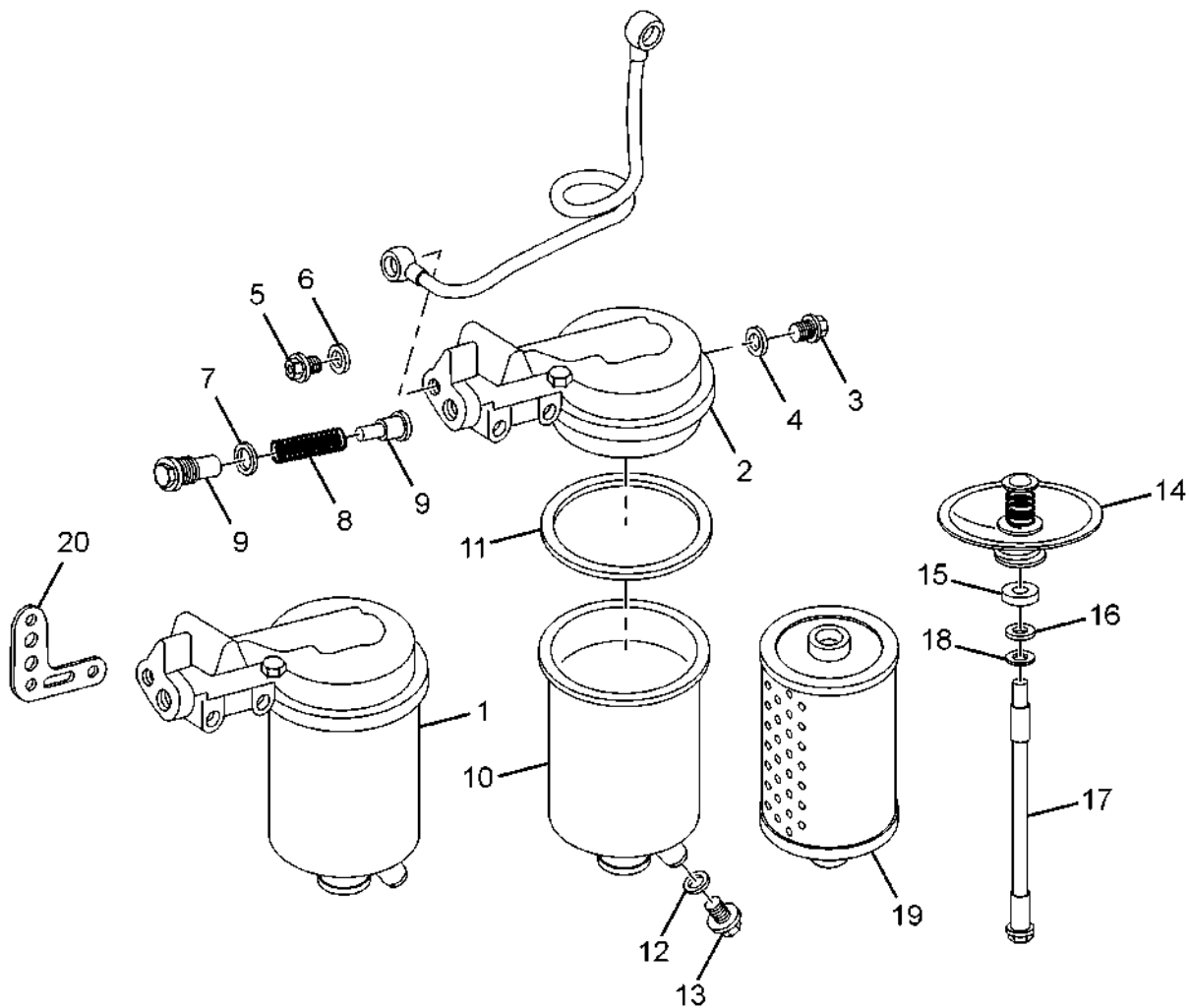
00.15.01		ALTERNATOR AND STARTER		GROUP 15
CHASSIS TYPE: ALL				
FIG. NO.	PART NUMBER	DESCRIPTION	QTY	REMARKS
1	261815400102	ALTERNATOR 24V,75A	1	
2	252515140147	ASSY. BRACKET, (ALTERNATER MOUNTING)	1	
3	11063896677	HEX. BOLT M10X130	1	
4	253315144204	CLAMPING PIECE	1	
5	252415146501	CLAMPING NUT	1	
6	12140501008	NYLOC NUT M 10	2	
7	253315140108	ASSY. CLAMP ROD	1	
11	3121550174	BOLT (FOR FIXING ALTERNATOR)	1	
	252520151605	COGGED V-BELT 1280 LONG	2	
14	3129932801	SPRING ALTERNATOR	1	
15	261815140102	STARTER MOTOR (24V)	1	

CHASSIS TYPE: ALL



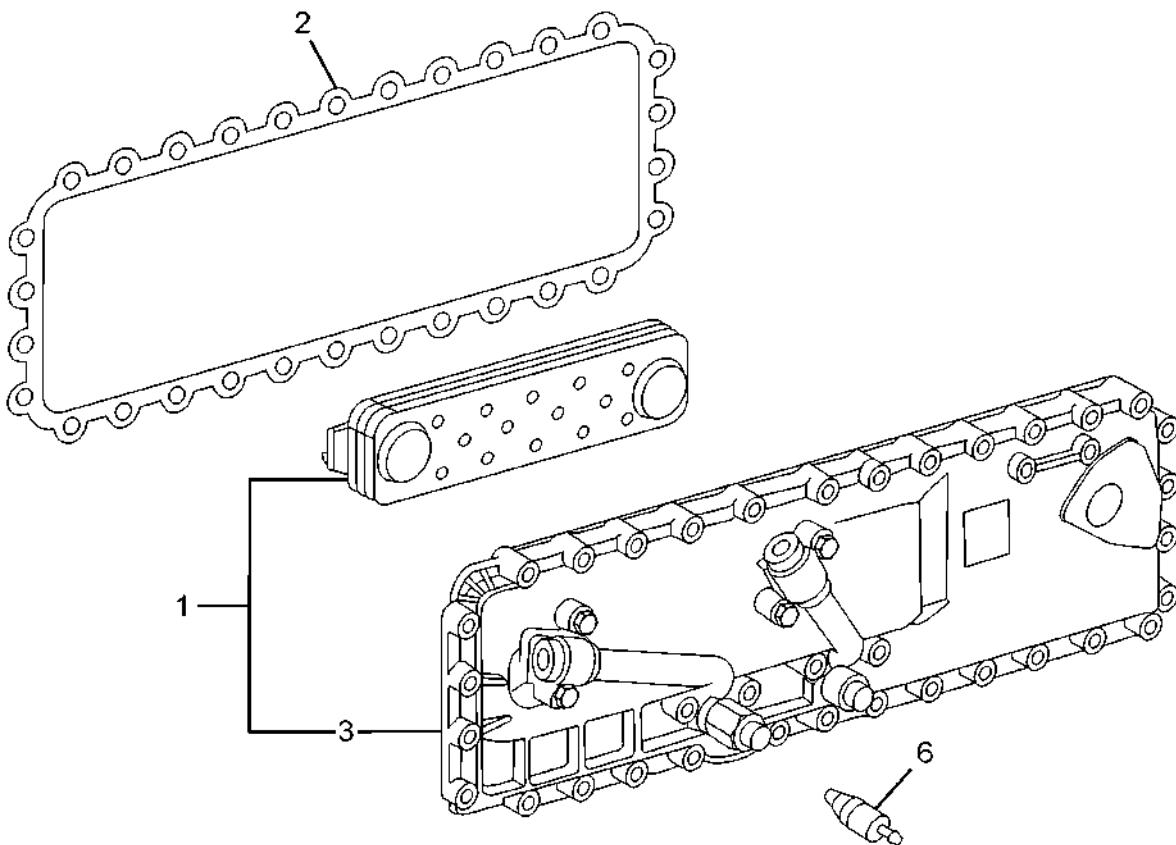
00.18.01		OIL PUMP		GROUP 18
CHASSIS TYPE: ALL				
FIG. NO.	PART NUMBER	DESCRIPTION	QTY	REMARKS
1	252518100149	ASSY. OIL PUMP WITH STRAINER	1	
2	252518103704	OIL PUMP HOUSING	1	
3	252518107902	DRIVE SHAFT	1	
4	252518105405	GEAR, DRIVE SHAFT	1	
5	13650505055	WOODRUFF KEY 3X6.5	2	
6	3121810308	DRIVE, GEAR	1	
7	252518105406	DRIVEN GEAR, OIL PUMP	1	
8	252518107901	SHAFT FOR DRIVE GEAR	1	
9	3521811220	COVER, OIL PUMP	1	
10	3521840329	VALVE HOUSING	1	
11	3269930401	SPRING	1	
12	3211810042	PLUNGER	1	
13	3529970730	SCREW PLUG	1	
14	11324196031	SCREW M 8X22	2	
15	11064096011	BOLT M 8X35	1	
16	11064096038	BOLT M 8X45	1	
17	12520698025	SPG. WASHER B 8	4	
18	252518150115	ASSEMBLY STRAINER (OIL PUMP)	1	
19	3121860080	GASKET	1	
20	12520698025	SPG. WASHER B 8	2	
21	11324196023	SCREW M 8X20	2	
22	11342408283	SCREW M 8X28	3	
—	885418082525	GEAR KIT OIL PUMP (50MM LG)	1	
		CONSISTS OF :		
4	-	GEAR, DRIVE SHAFT	1	
7	-	DRIVEN GEAR, OIL PUMP	1	

CHASSIS TYPE: ALL



00.18.02		ASSY. OIL FILTER		GROUP 18	
CHASSIS TYPE: ALL					
FIG. NO.	PART NUMBER	DESCRIPTION	QTY	REMARKS	
1	252518130137	ASSY.OIL FILTER COMP.(SPINON)	1		
2	252518130138	ASSY.OIL FILTER HEAD(SPIN ON)	1		
3	16081001808	SCREW PLUG AM 18X1.5	1		
4	16220710240	SEALING WASHER 16X20 CU	1		
5	252018137203	SCREW PLUG (FOR RELIEF VALVE)	1		
6	16220710380	SEALING WASHER 24X29 CU	1		
7	16220710282	SEALING WASHER 18X22 CU	1		
8	252018138701	SPRING (FOR PRESSURE RELIEF VALVE)	1		
9	3521840032	OIL FILTER BYE - PASS VALVE PLUNGER	1		
10	252218130103	ASSY. HOUSING (FOR OIL FILTER)	1		
11	252018137701	SEALING RING	1		
12	16220710240	SEALING WASHER 16X20 CU	1		
13	0129970030J	SEALING PLUG	1		
14	252318130113	ASSY. SPG. RETAINER (FOR OIL FILTER)	1		
15	252018137702	OIL SEAL	1		
16	252018137703	SEALING RING	1		
17	252318133201	CENTRE PIN	1		
18	16220610229	SEALING WASHER A 14X20	1		
19	252518130139	ASSY.OIL FILTER ELEMENT (SPINON)	1		
20	252518135301	GASKET (OIL FILTER ON CYL BLOCK): BS-III	1		

CHASSIS TYPE: ALL

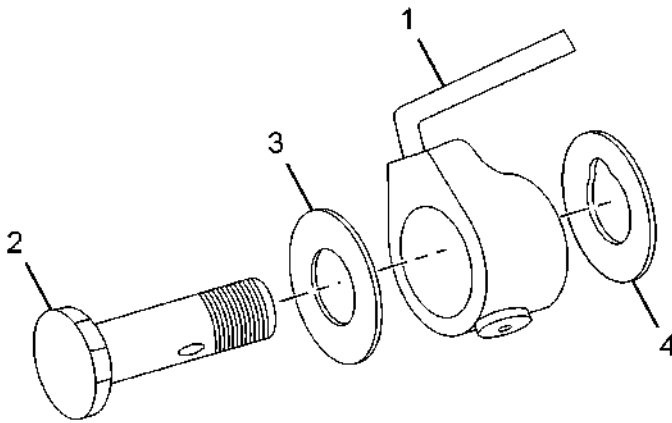


00.18.03	OIL COOLER (PLATE TYPE)	GROUP 18
----------	-------------------------	----------

CHASSIS TYPE: ALL

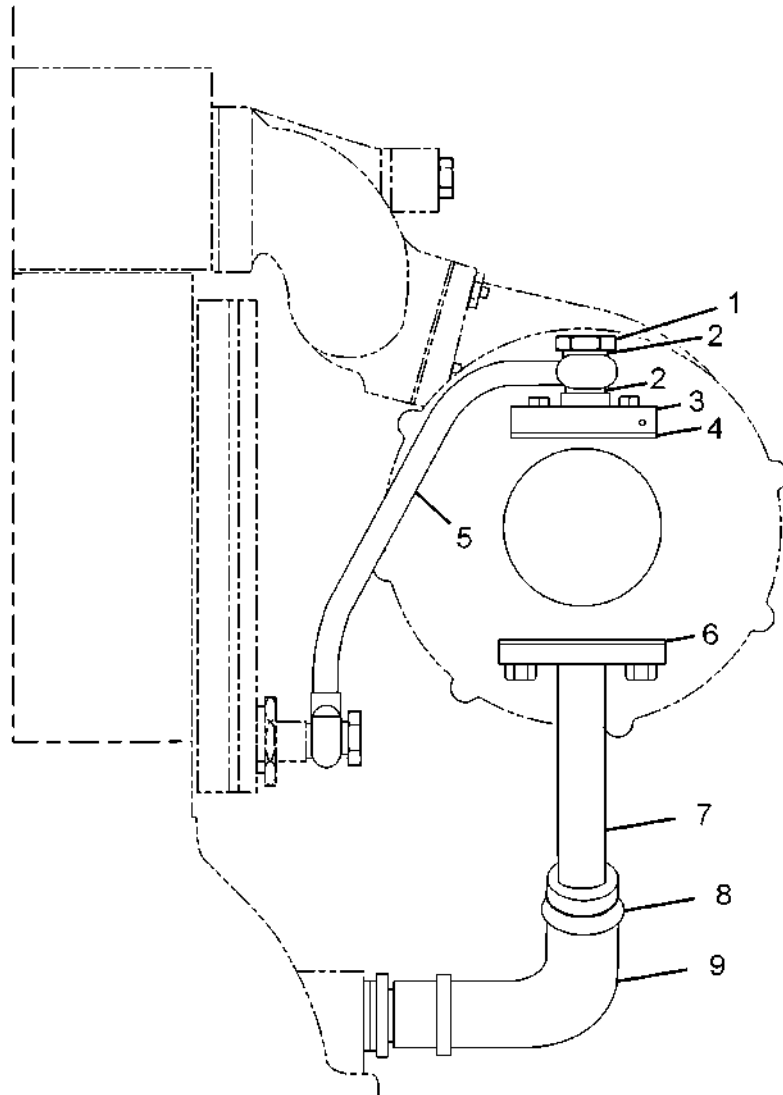
FIG. NO.	PART NUMBER	DESCRIPTION	QTY	REMARKS
1	252518170168	ASSY.PLATE TYPE HEAT EXCHANGER.	1	
2	252518171601	GASKET (HEAT EXCHANGER TO OIL COOLER COV	1	
3	252518173805	COVER, OIL COOLER	1	
6	265454509913	LOW OIL PRESSURE SWITCH	1	

CHASSIS TYPE: ALL



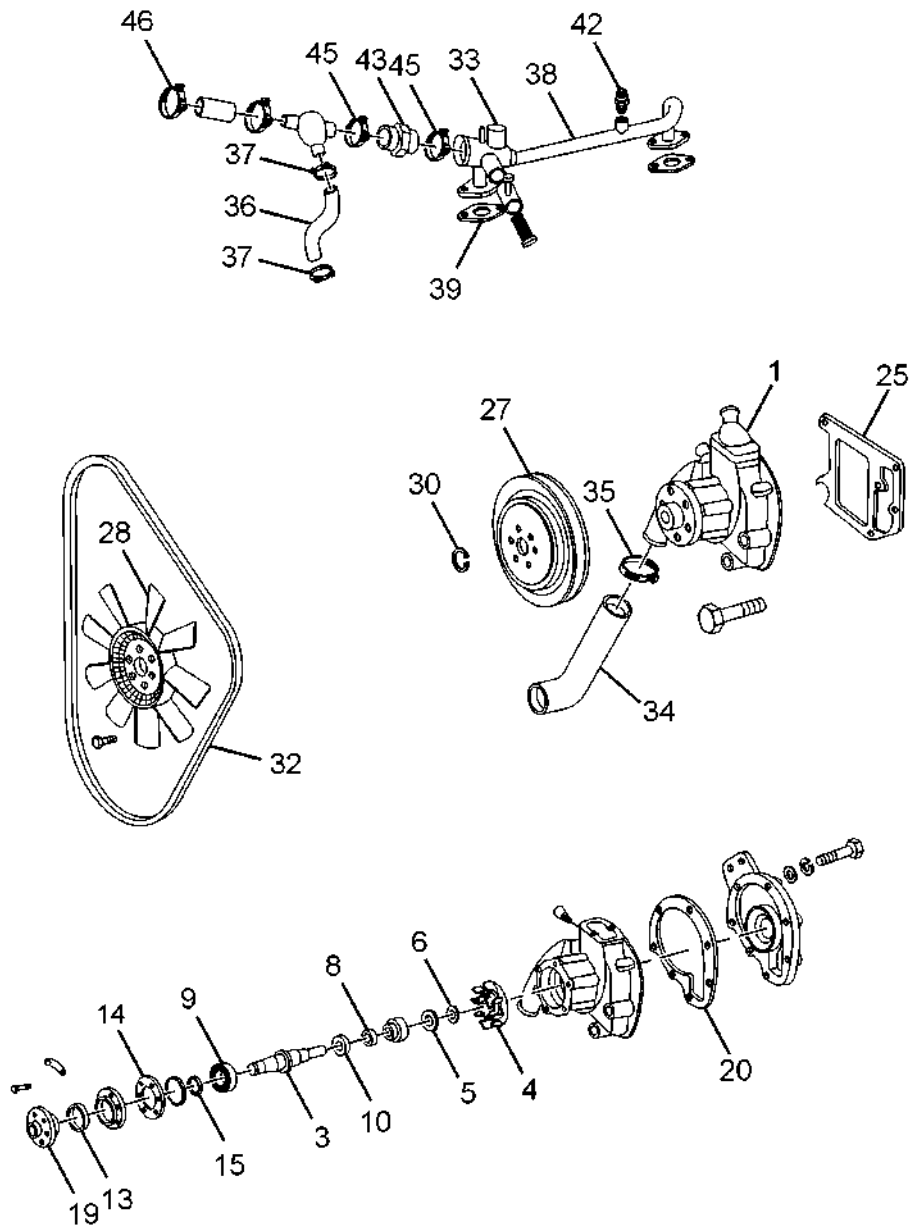
00.18.04		PISTON COOLING		GROUP 18	
CHASSIS TYPE: ALL					
FIG. NO.	PART NUMBER	DESCRIPTION	QTY	REMARKS	
1	252518170160	ASSY PISTON COOLING NOZZLE	6		
2	252518170150	ASSY RELIEF VALVE (FOR NOZZLE)	6		
3	252518179201	SEALING WASHER	6		
4	252518179202	SEALING WASHER	6		

CHASSIS TYPE: ALL



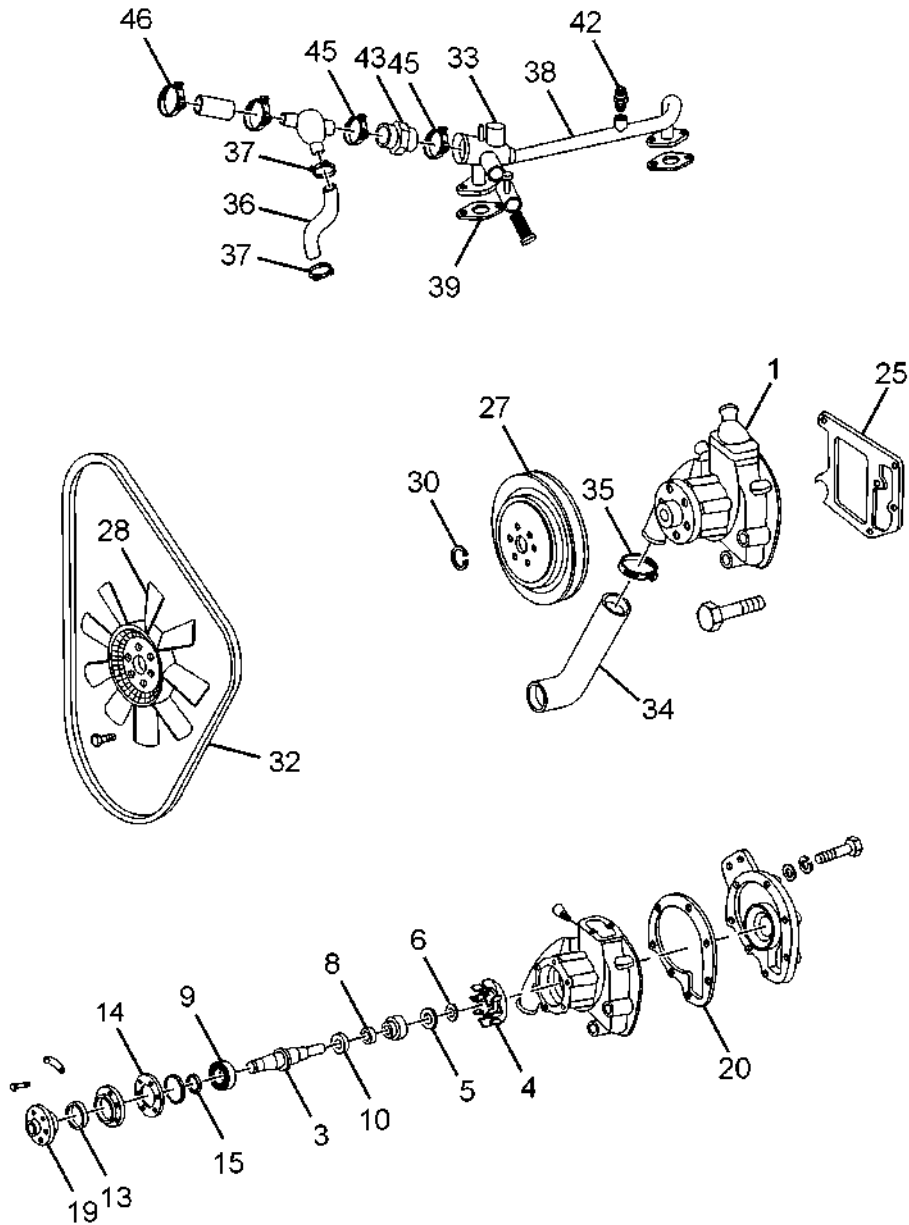
00.18.05		OIL PIPING FOR TURBOCHARGER		GROUP 18
CHASSIS TYPE: ALL				
FIG. NO.	PART NUMBER	DESCRIPTION	QTY	REMARKS
1	16531911001	PIPE UNION BOLT 10 IS3174 SS9400	2	
2	16220510216	SEALING WASHER 14X18 IS3175 AL	4	
3	252518175101	FLANGE (ON TURBO)	1	
4	252514115301	GASKET (TURBO TO EXHAUST MANIFOLD)	1	
5	252518170196	ASSY. LUBE LINE (FLEXIBLE)	1	
	252518175309	GASKET (OIL PIPING) INLET	1	
6	252518175307	GASKET (OIL PIPING) OUTLET	1	
7	252518170152	ASSY.OIL OUTLET TUBE	1	
8	269944804205	HOSE CLAMP 30 (STAINLESS STEEL)	2	
9	252518175804	HOSE (TC OIL OUTLET TO CYL. CR)	1	

CHASSIS TYPE: ALL



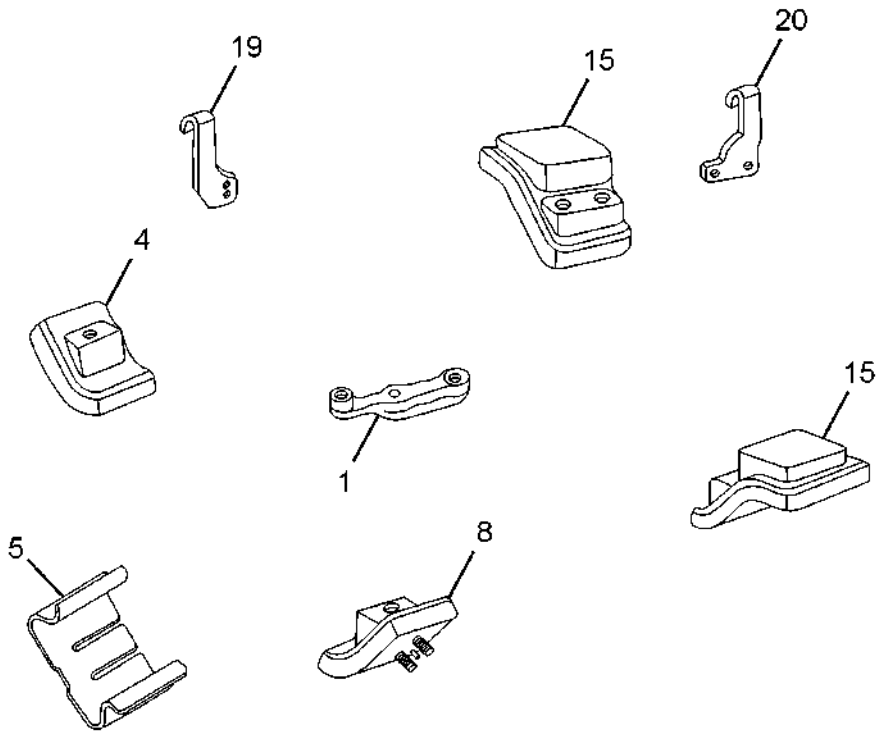
00.20.01		WATER PUMP		GROUP 20
CHASSIS TYPE: ALL				
FIG. NO.	PART NUMBER	DESCRIPTION	QTY	REMARKS
1	252520100129	ASSY. WATER PUMP	1	
25	252720105303	GASKET (WATER PUMP)	1	
		PULLEY, FAN & V-BELT		
27	252520140124	ROLLED PULLEY (WATER PUMP)-3 GR	1	
28	252520140109	ASSY FAN (WITHOUT VISCOUS COUPLING)	1	
-	252520140132	FAN DRIVE ASSEMBLY (LOW SPEED)	1	
-	14550502802	CIRCLIP A 28X2 (HUB LOCKING ON W/P SHAFT)	1	
-	11631407252	STUD AM 8X25	6	
32	252520151605	COGGED V-BELT 1280 LONG	2	
33	252520121601	ASSY. THERMOSTAT W/O BYPASS - 87 C	1	
34	252550005832	HOSE (RADIATOR TO WATER PUMP)	1	
35	14280598217	HOSE CLIP TB 54	1	
-	14280599264	HOSE CLIP TB 34	3	
36	252520125817	REDUCER HOSE (THERMOSTAT TO WATER PUMP)	1	
37	254750104222	HOSE CLAMP (50 DIA)	3	
38	252520120203	ASSY. UPPER COOLING WATER LINE	1	
39	252020125301	GASKET (UPPER COOLING LINE)	2	
42	263254209903	TEMP. TRANSDUCER	1	
43	252550005830	RUBBER BELLOW (U.C. LINE TO THERMOSTAT)	1	
-	252550005831	Z HOSE (THERMOSTAT TO RADIATOR)	1	
45	254750104222	HOSE CLAMP (50 MM DIA.)	3	
46	14280599302	HOSE CLAMP TB 36	1	
-	264354249903	TEMPERATURE SENSOR	1	
		REPAIR KITS		
	252520100118	MINOR REPAIR KIT (WATER PUMP)	1	
		CONSISTING OF :		
6	-	SEALING MEMBER	1	
5	-	SLIDING RING	1	
-	-	SEAL SLIDING RING	1	
13	-	OIL SEAL	1	
14	-	GASKET WATER PUMP	1	
20	-	GASKET WATER PUMP	1	
25	-	GASKET CLUTCH	1	
30	-	CIRCLIP A 28X2	1	

CHASSIS TYPE: ALL



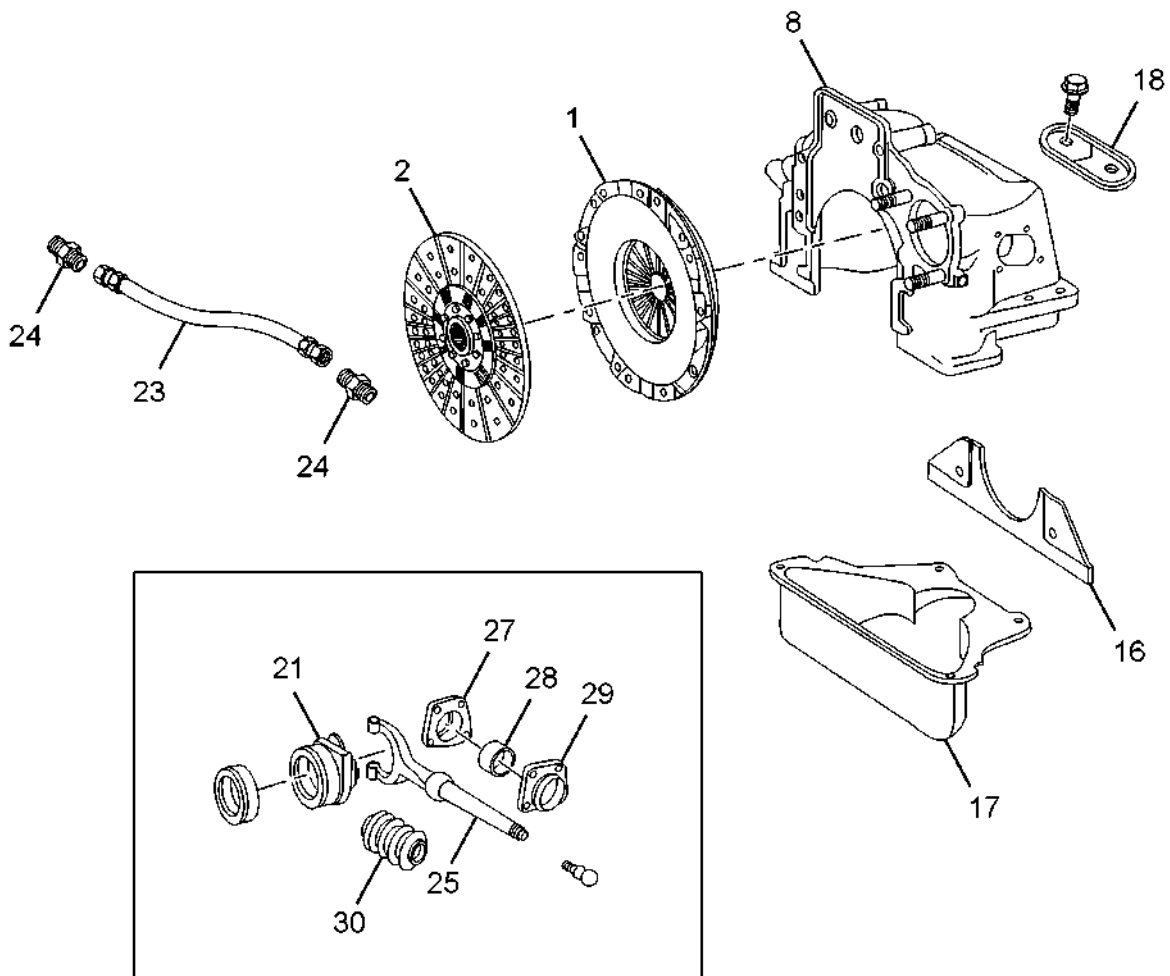
00.20.01		WATER PUMP		GROUP 20	
CHASSIS TYPE: ALL					
FIG. NO.	PART NUMBER	DESCRIPTION	QTY	REMARKS	
	-	MAJOR REPAIR KIT (WATER PUMP) CONSISTING OF :	1		
6	-	SEALING MEMBER	1		
5	-	SLIDING RING	1		
-	-	AXLE SLIDE RING SEAL	1	OPTIONAL	
-	-	CYCLAM SLIDE RING SEAL	1	OPTIONAL	
8	-	RUBBER SEAL RING	1		
9	-	TAPER ROLLER BEARING	1		
10	-	TAPER ROLLER BEARING	1		
4	-	IMPELLER, PLASTIC	1		
3	-	SHAFT	1		
13	-	OIL SEAL	1		
14	-	GASKET WATER PUMP	1		
15	-	SHIM 0.05 MM THICK	1	FOR SELECTION	
15	-	SHIM 0.10 MM THICK	1	FOR SELECTION	
15	-	SHIM 0.15 MM THICK	1	FOR SELECTION	
15	-	SHIM 0.20 MM THICK	1	FOR SELECTION	
15	-	SHIM 0.50 MM THICK	1	FOR SELECTION	
20	-	GASKET	1		
25	-	GASKET	1		
30	-	CIRCLIP A 28X2 (HEAVY DUTY)	1		
19	-	HUB	1		

CHASSIS TYPE: ALL



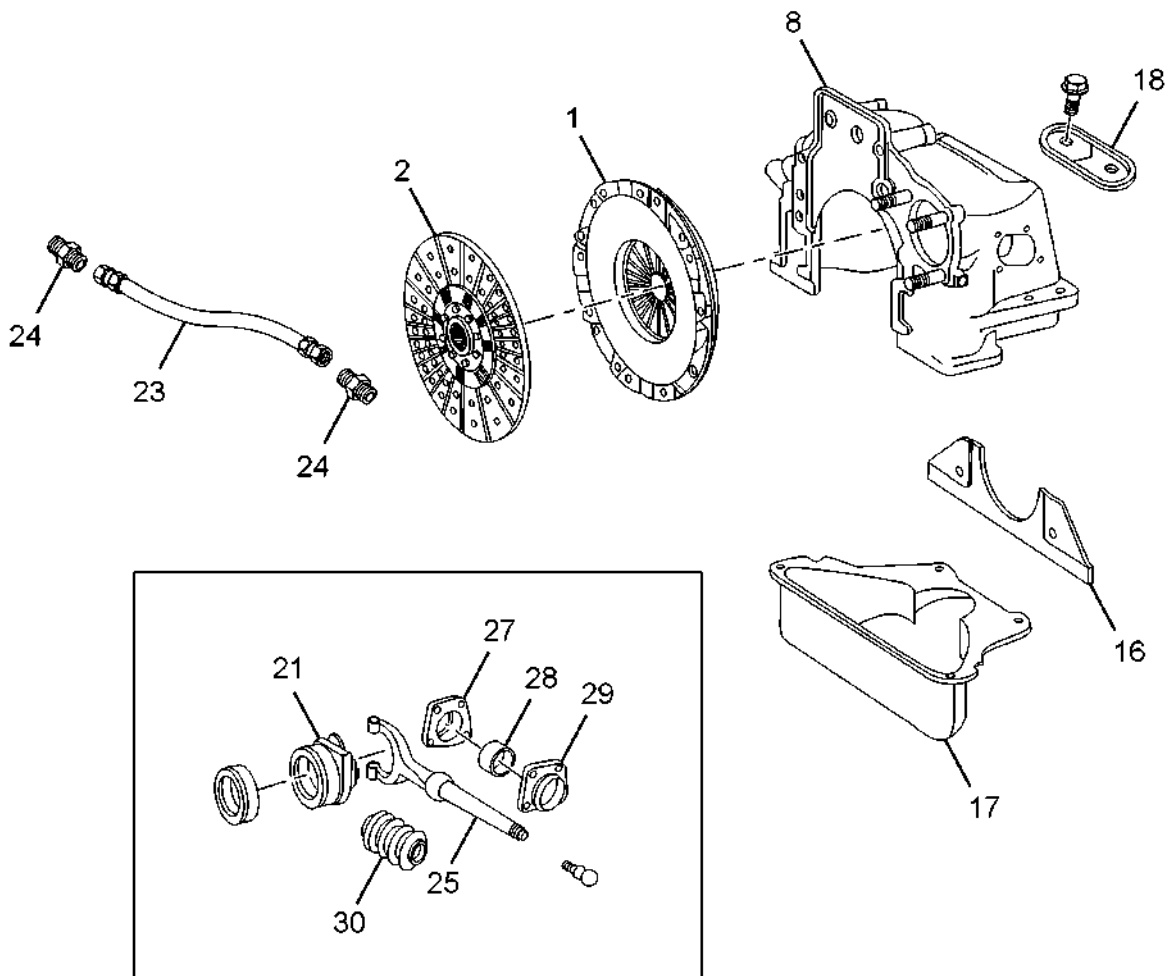
00.24.01		ENGINE SUSPENSION		GROUP 24	
CHASSIS TYPE: ALL					
FIG. NO.	PART NUMBER	DESCRIPTION	QTY	REMARKS	
1	252922125101	ENGINE MOUNTING ARM, FRONT	2		
—	252322123204	HEX COLLER SCREW	2		
—	252322123205	HEX COLLER SCREW	2		
4	264324100101	ASSY. RUBBER SUPPORT, FRONT LH	1		
5	3522420509	TORQUE SUPPORT	2		
—	3129900640	WASHER	4		
8	257324100103	ASSY. ENGINE MTG. PAD FRONT	1		
15	264024200110	ASSY. RUBBER SUPPORT, REAR	2		
—	3129940132	LOCKING PLATE	4		
—	3129900540	WASHER	4		
19	252522107108	LIFTING HOOK, FRONT	1		
20	252722107106	LIFTING HOOK, REAR	1		

CHASSIS TYPE: ALL



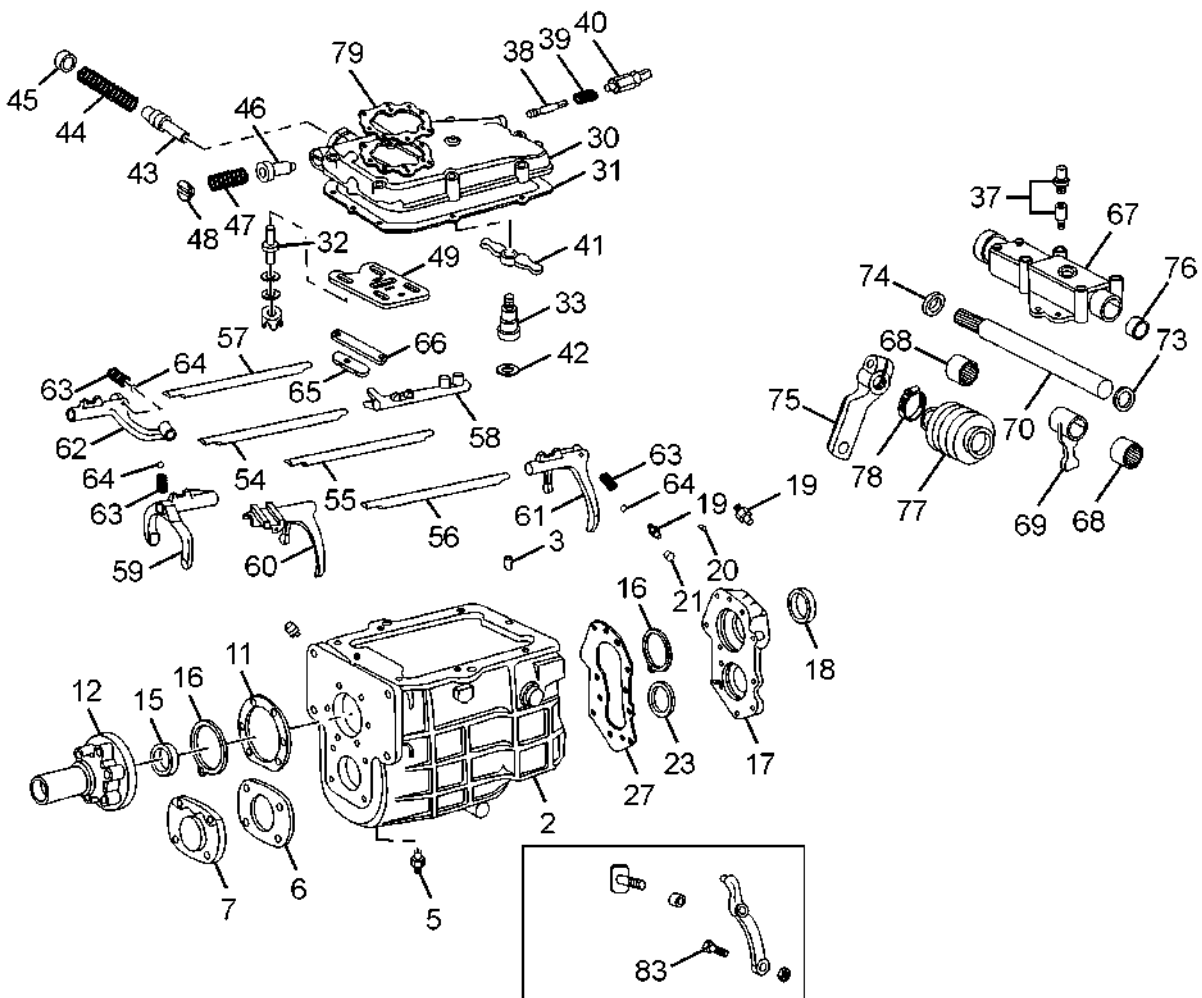
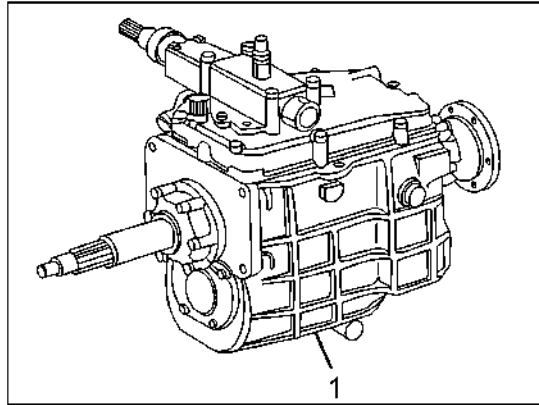
00.25.01		CLUTCH (310MM DIA)		GROUP 25	
CHASSIS TYPE: ALL					
FIG. NO.	PART NUMBER	DESCRIPTION	QTY	REMARKS	
1	276325400105	ASSY. COVER PLATE 310 DIA. (REINFORCED)	1		
2	276325200105	DRIVEN PLATE ASSY. 310 DIA.(REINFORCED)	1		
21	272425600151	CLUTCH RELEASE BEARING WITH SLEEVE	1		
23	257525600121	ASSY. HOSE	1		
25	272425605106	CLUTCH RELEASE FORK	1		
—	3029910015	BALL PIN	1		
27	272425608201	BRACKET INSIDE	1		
28	272425600103	OUTER RACE	1		
29	272425600102	ASSY. BRACKET OUTSIDE	1		
30	3522540097	RUBBER BELLOW (CLUTCH RELEASE FORK)	1		
—	257525600104	ASSY. COVER	1		
8	252525103740	CLUTCH HOUSING (310 DIA BS-III)	1		
18	0422510004J	CLUTCH COVER HOUSING UPPER	1		
16	252325108203	PROTECTIVE COVER (CLUTCH HOUSING FRONT)	1		
17	252525108201	CLUTCH HOUSING LOWER PART	1		
—	252325106701	PIN	1		
—	253425108214	COVER (FOR INSPECTION WINDOW)	1		
—	253425105301	GASKET (INSPECTION WINDOW)	1		
—	276325400114	COVER DIAPHRAGM SUB ASSY. CONSISTING OF :	1		
—	-	COVER PLATE	1		
24	257625606801	DOUBLE SOCKET	1		
—	-	CLUTCH COVER HOUSING	1	LOOSE NOT SERVICED	
—	-	FULCRUM PLATE	1	LOOSE NOT SERVICED	
—	-	DIAPHRAGM PLATE	1	LOOSE NOT SERVICED	
—	-	DIAPHRAGM SPRING	1	LOOSE NOT SERVICED	
—	-	DIAPHRAGM RIVETS	18	LOOSE NOT SERVICED	
—	276325400115	KIT FOR STRAP AND RIVETS CONSISTING OF :	1		
—	-	STRAP	8	LOOSE NOT SERVICED	

CHASSIS TYPE: ALL



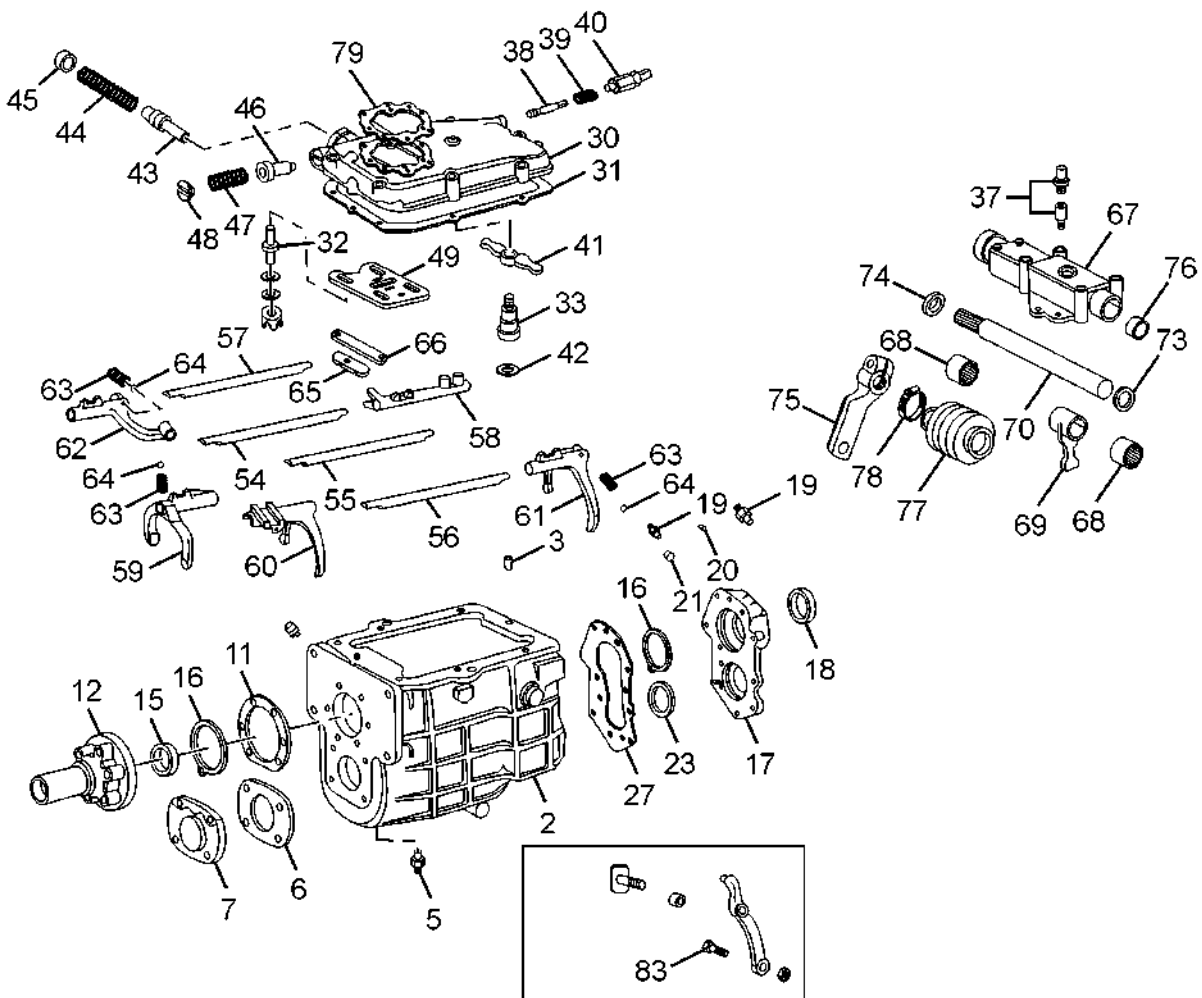
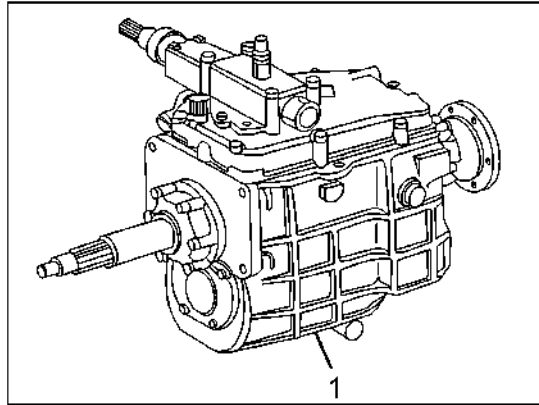
00.25.01		CLUTCH (310MM DIA)		GROUP 25	
CHASSIS TYPE: ALL					
FIG. NO.	PART NUMBER	DESCRIPTION	QTY	REMARKS	
—	-	RIVET (PRESSURE PLATE)	4	LOOSE NOT SERVICED	
—	-	RIVET (COVER)	4	LOOSE NOT SERVICED	
—	276325200113	KIT FOR CLUTCH DISC CONSISTING OF :	1		
—	-	CLUTCH FACINGS (310 DIA.)	2	LOOSE NOT SERVICED	
—	-	FACING RIVET	40	LOOSE NOT SERVICED	
—	-	FACING RIVET	40	LOOSE NOT SERVICED	

CHASSIS TYPE: 381226



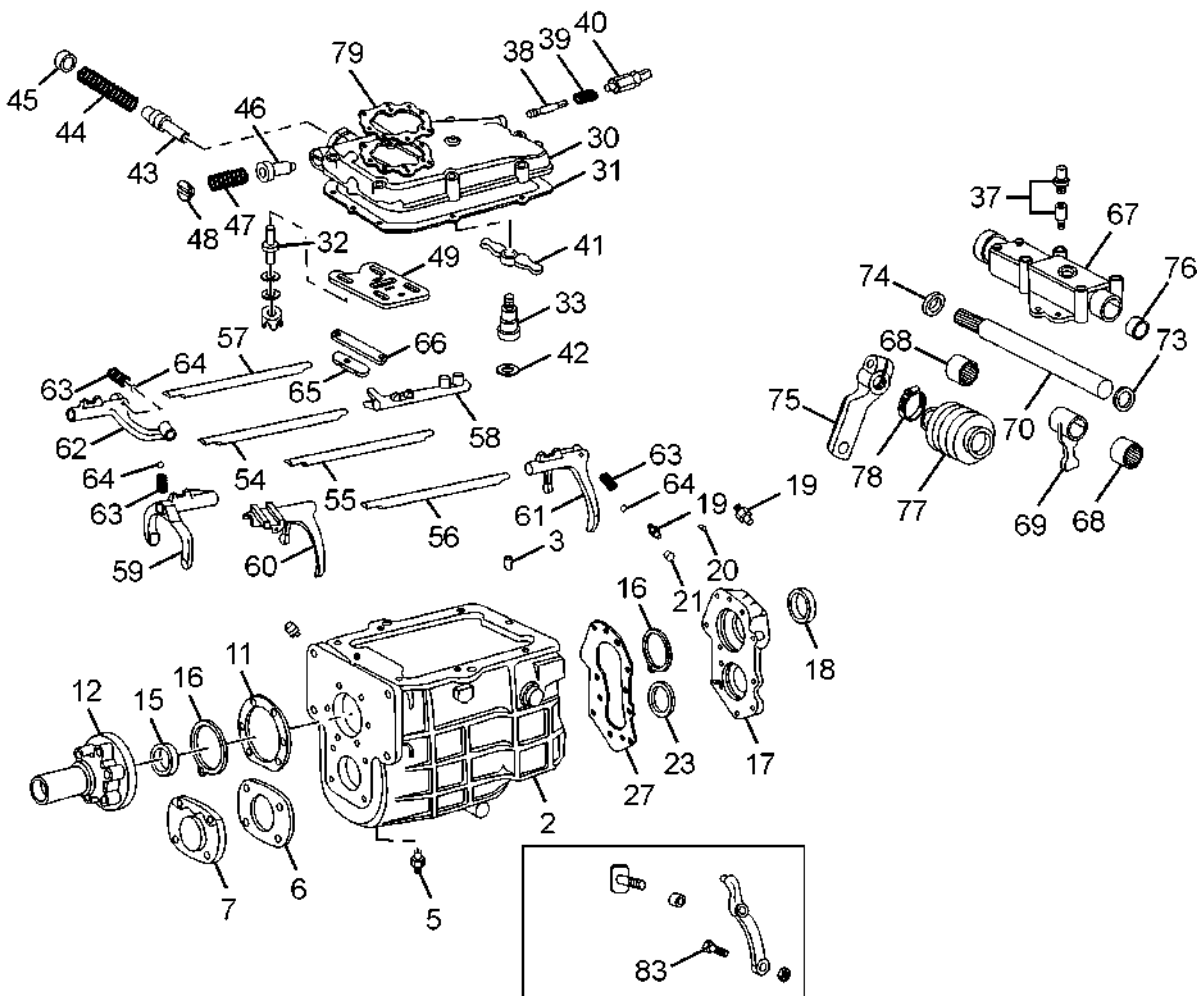
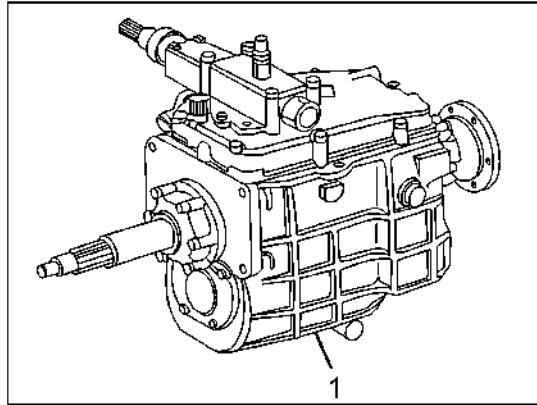
26.26.01A		GEARBOX HOUSING		GROUP 26	
CHASSIS TYPE: 381226					
FIG. NO.	PART NUMBER	DESCRIPTION	QTY	REMARKS	
1	250526040124	ASSY GBS40-5/6.34,6BCF.FULL REMOTE (LHD)	1		
2	250526103724	GEAR BOX HOUSING (6.34 RATIO)	1		
3	13050909209	CYLINDRICAL PIN 10 H 8X20	2		
5	250626107203	MAGNETIC DRAIN PLUG (HEX HEAD TYPE)	1		
6	250530145301	GASKET, FRONT COVER LOWER	1		
7	250530144701	FRONT COVER LOWER	1		
11	250526255301	GASKET (FR. COVER TOP TO HSG.)	1		
12	250530134701	GEAR BOX HOUSING COVER FRONT TOP	1		
—	250526258201	OIL SLINGER (FRONT COVER)	1		
15	250526257808	OIL SEAL	1		
16	250530138601	BUTTING RING 2.90 MM THICK	1	FOR SELECTION	
16	250526258601	BUTTING RING 2.95 MM THICK	1	FOR SELECTION	
16	250530138602	BUTTING RING 3.00 MM THICK	1	FOR SELECTION	
16	250526258602	BUTTING RING 3.05 MM THICK	1	FOR SELECTION	
16	250530138603	BUTTING RING 3.10 MM THICK	1	FOR SELECTION	
16	250526258603	BUTTING RING 3.15 MM THICK	1	FOR SELECTION	
16	250530138604	BUTTING RING 3.20 MM THICK	1	FOR SELECTION	
16	250526258604	BUTTING RING 3.25 MM THICK	1	FOR SELECTION	
16	250530138605	BUTTING RING 3.30 MM THICK	1	FOR SELECTION	
16	250526258605	BUTTING RING 3.35 MM THICK	1	FOR SELECTION	
16	250530138606	BUTTING RING 3.40 MM THICK	1	FOR SELECTION	
16	250526258606	BUTTING RING 3.45 MM THICK	1	FOR SELECTION	
16	250530138607	BUTTING RING 3.50 MM THICK	1	FOR SELECTION	
16	250530138608	BUTTING RING 3.60 MM THICK	1	FOR SELECTION	
17	250530153701	GEAR CASE COVER REAR	1		
18	250526207803	OIL SEAL	1		
19	3212610031	ADAPTER	1		
20	3212600086	ASSY. THREADED BUSH	1		
21	1532640055	PLUG SPEEDO DRIVE	1		
23	3122831752	SHIM 0.05 MM THICK	AR	FOR SELECTION	
23	3122831052	SHIM 0.1 MM THICK	AR	FOR SELECTION	
23	3122831152	SHIM 0.2 MM THICK	AR	FOR SELECTION	
23	3122831252	SHIM 0.4 MM THICK	AR	FOR SELECTION	
23	3122832152	SHIM 0.8 MM THICK	AR	FOR SELECTION	
27	3522610780	GASKET (GEAR CASE COVER REAR)	1		
30	250526713755	GEAR CASE COVER TOP (LOWER HALF)	1		
31	250530145301	GASKET	1		

CHASSIS TYPE: 381226



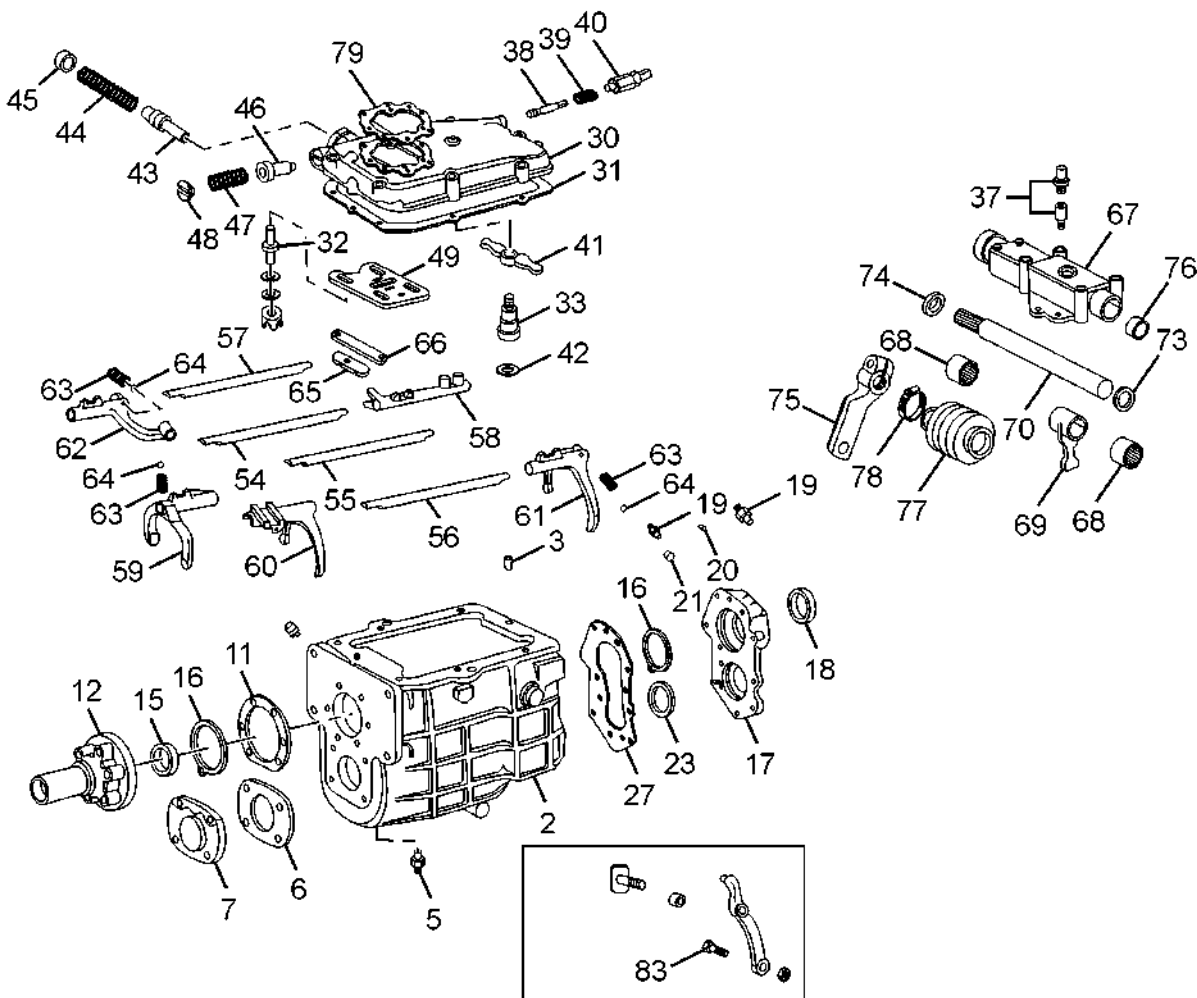
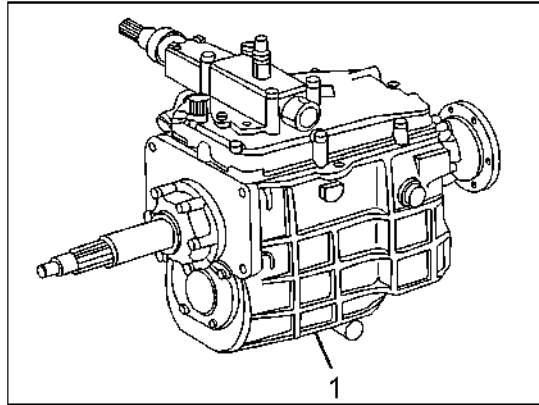
26.26.01A		GEARBOX HOUSING		GROUP 26
CHASSIS TYPE: 381226				
FIG. NO.	PART NUMBER	DESCRIPTION	QTY	REMARKS
32	250530128801	STUD	4	
33	250526716701	PIN SWING LEVER	1	
37	266835150102	PRESSURE RELIEF VALVE	1	
38	250530116701	THRUST PIN (REVERSE INDICATOR SWITCH)	1	
39	3129934201	PRESSURE SPRING (REVERSE INDICATOR SWITCH)	1	
40	265454510123	ASSY.REV.LT.SW.P/TAIL-MS HARNESS [O.DRG]	1	
41	250526705105	SWING LEVER - 1ST SPEED	1	
42	250530129201	WASHER (SWING LEVER)	1	
43	250526713409	PRESSURE PIECE FOR CHECK PLATE	1	
44	250526718702	PRESSURE SPRING FOR PRESSURE PIECE	1	
45	3219970103	SLOTTED PLUG	1	
46	250526713410	INTERLOCKING PIN	1	
47	3219930601	PRESSURE SPRING FOR INTERLOCKING PIN	1	
48	16082502401	SEALING PLUG M 24X1.5	1	
49	3212600846	ASSY. CHECK PLATE	1	
—	250526713407	STOPPER PIECE CHECK PLATE	4	
—	250526713403	SUPPORT PIECE CHECK PLATE	4	
54	3212650805	SELECTOR SHAFT FOR FIRST SPEED	1	
55	3212651805	SELECTOR SHAFT (2/3)	1	
56	3212651905	SELECTOR SHAFT (4/5)	1	
57	3222650305	SELECTOR SHAFT (FOR REVERSE GEAR)	1	
58	3222650123	GEAR SHIFT DOG (FOR FIRST GEAR)	1	
59	3212651202	SELECTOR FORK (2/3)	1	
60	250526515102	SELECTOR FORK (4/5)	1	
61	3212651301	SELECTOR FORK (FOR 1ST SPEED GEAR)	1	
62	250526515101	SELECTOR FORK (FOR REVERSE GEAR)	1	
63	3129931001	PRESSURE SPRING	4	
64	15950101102	STEEL BALL 11 MM DIA.	4	
65	3122651036	CLAMP (SELECTOR SHAFT TO GEAR BOX HOUSING)	4	
66	3129940332	LOCKING PLATE (SELECTOR SHAFT TO GEAR BOX HOUSING) TOP COVER	2	

CHASSIS TYPE: 381226



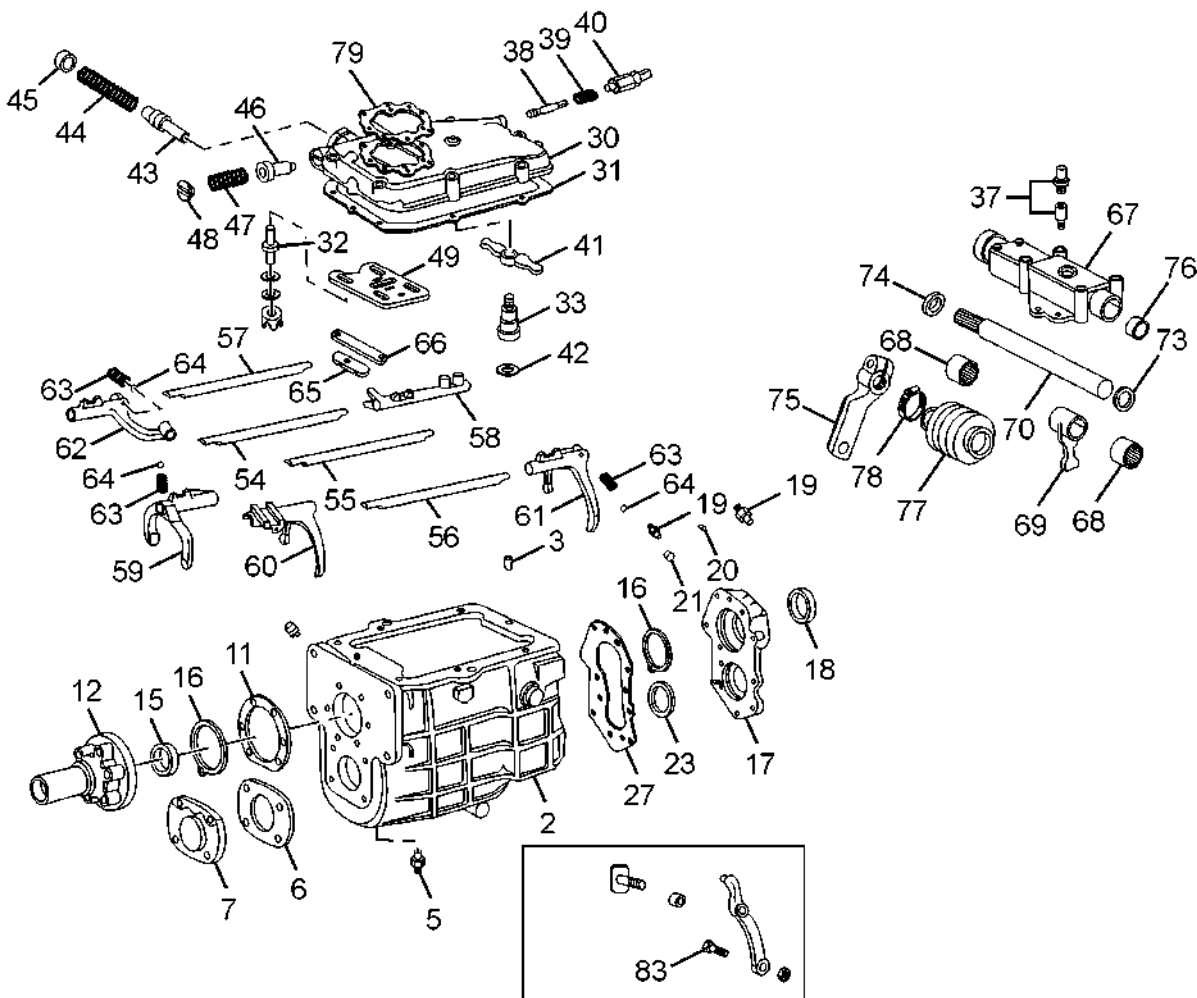
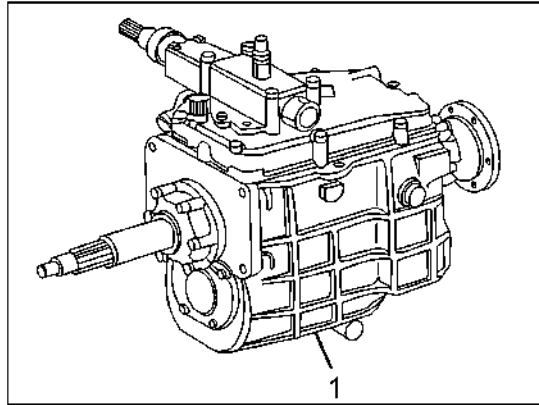
26.26.01A		GEARBOX HOUSING		GROUP 26
CHASSIS TYPE: 381226				
FIG. NO.	PART NUMBER	DESCRIPTION	QTY	REMARKS
67	250526713756	COVER TOP (UPPER HALF)	1	
68	250726713105	NEEDLE BEARING	2	
69	250526705104	SHIFTER FINGER	1	
70	250526707909	SELECTOR & SHIFTER SHAFT	1	
73	17061602518	OIL SEAL	1	
74	250726717803	SCRAPER RING	1	
75	250726706013	SHIFTING LEVER	1	
76	250526718222	CAP	1	
77	250526717701	BELLOW	1	
78	14270202501	HOSE CLIP 25	1	
79	250626715301	GASKET (BETWEEN UPPER & LOWER HALF)	1	
83	3212650849	SLIDING KEY	1	
		GASKET KIT		
	250526000101	GEAR BOX GASKET KIT CONSISTING OF :	1	
6	-	GASKET FRONT COVER LOWER	1	
11	-	GASKET FRONT COVERUPPER	1	
27	-	GASKET REAR COVER	1	
31	-	GASKET TOP COVER	1	
--	885426051613	OVERHAULING KIT - GB 40 CONSISTING OF :	1	
--	-	OIL SEAL	1	
--	-	OIL SEAL (FRONT COVER)	1	
--	-	SHIM 0.10 MM THICK	1	
--	-	SHIM 0.20 MM THICK	1	
--	-	SHIM 0.40 MM THICK	1	
--	-	SHIM 0.05 MM THICK	1	
--	-	SHIM 0.80 MM THICK	1	
--	-	GASKET (GB COVER LOWER TO GB HOUSING)	1	
--	-	GASKET (FRONT COVER TOP TO GB HOUSING)	1	
--	-	GASKET (GB COVER RR)	1	
--	-	GASKET (GB TOP COVER)	1	
--	-	HEX COLLAR NUT	1	
--	-	HEX NUT	1	
--	-	PRESSURE SPRING	1	
--	-	PIN MAIN SHAFT	1	

CHASSIS TYPE: 381313



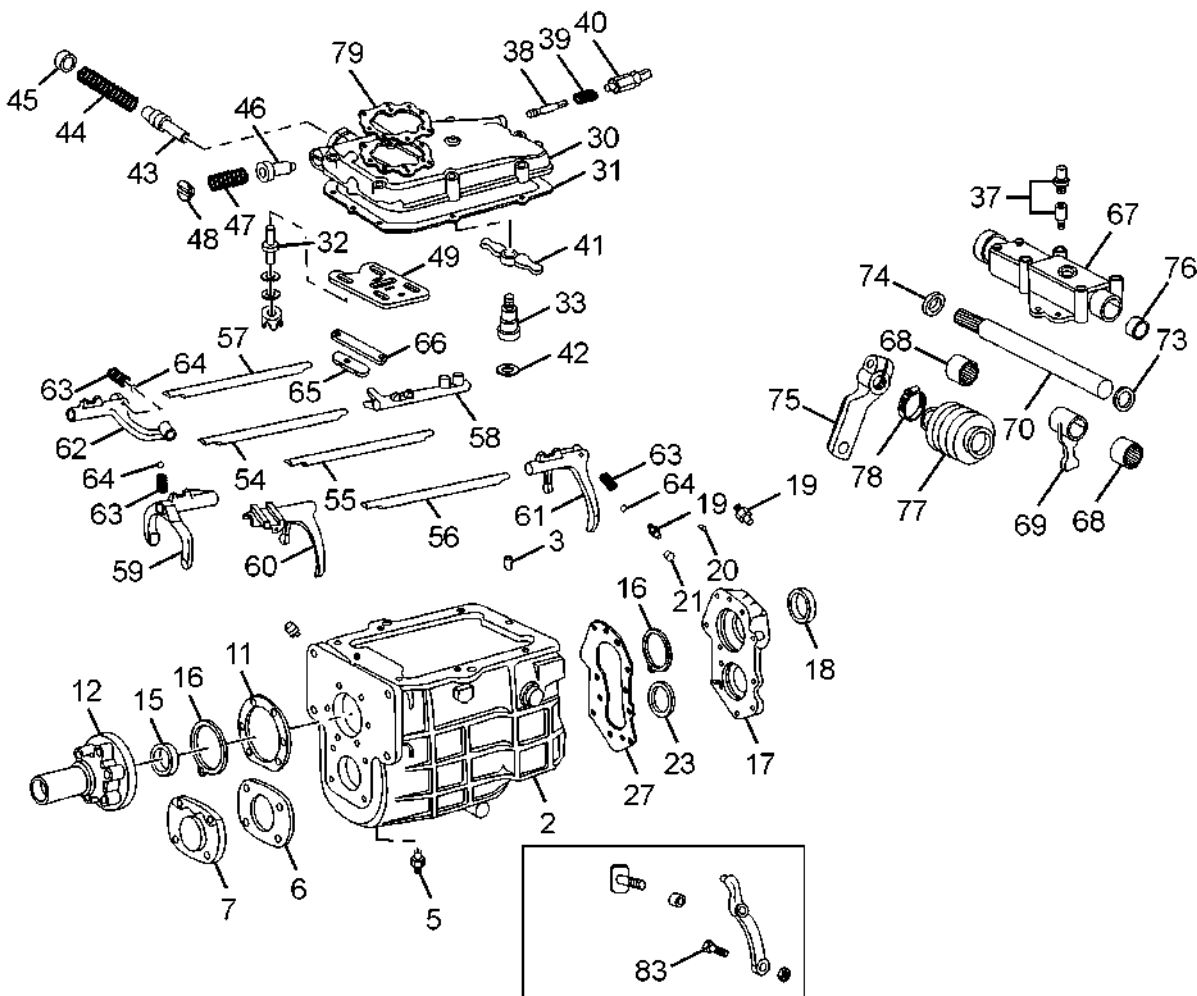
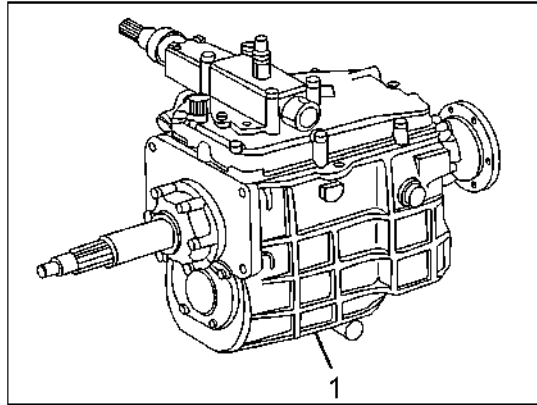
26.26.01B		GEARBOX HOUSING		GROUP 26	
CHASSIS TYPE: 381313					
FIG. NO.	PART NUMBER	DESCRIPTION	QTY	REMARKS	
1	250526040180	ASSY GBS 40-5/6.34,W/6BCF,PTO PROVISION .FR.COMP	1		
2	250526103724	GEAR BOX HOUSING (6.34 RATIO)	1		
3	13050909209	CYLINDRICAL PIN 10 H 8X20	2		
5	250626107203	MAGNETIC DRAIN PLUG (HEX HEAD TYPE)	1		
6	250530145301	GASKET, FRONT COVER LOWER	1		
7	250530144701	FRONT COVER LOWER	1		
11	250526255301	GASKET (FR. COVER TOP TO HSG.)	1		
12	250530134701	GEAR BOX HOUSING COVER FRONT TOP	1		
—	250526258201	OIL SLINGER (FRONT COVER)	1		
15	250526257808	OIL SEAL	1		
16	250530138601	BUTTING RING 2.90 MM THICK	1	FOR SELECTION	
16	250526258601	BUTTING RING 2.95 MM THICK	1	FOR SELECTION	
16	250530138602	BUTTING RING 3.00 MM THICK	1	FOR SELECTION	
16	250526258602	BUTTING RING 3.05 MM THICK	1	FOR SELECTION	
16	250530138603	BUTTING RING 3.10 MM THICK	1	FOR SELECTION	
16	250526258603	BUTTING RING 3.15 MM THICK	1	FOR SELECTION	
16	250530138604	BUTTING RING 3.20 MM THICK	1	FOR SELECTION	
16	250526258604	BUTTING RING 3.25 MM THICK	1	FOR SELECTION	
16	250530138605	BUTTING RING 3.30 MM THICK	1	FOR SELECTION	
16	250526258605	BUTTING RING 3.35 MM THICK	1	FOR SELECTION	
16	250530138606	BUTTING RING 3.40 MM THICK	1	FOR SELECTION	
16	250526258606	BUTTING RING 3.45 MM THICK	1	FOR SELECTION	
16	250530138607	BUTTING RING 3.50 MM THICK	1	FOR SELECTION	
16	250530138608	BUTTING RING 3.60 MM THICK	1		
17	250530153701	GEAR CASE COVER REAR	1		
18	250526207803	OIL SEAL	1		
19	3212610031	ADAPTER	1		
20	3212600086	ASSY. THREADED BUSH	1		
21	1532640055	PLUG SPEEDO DRIVE	1		
23	3122831752	SHIM 0.05 MM THICK	AR	FOR SELECTION	
23	3122831052	SHIM 0.1 MM THICK	AR	FOR SELECTION	
23	3122831152	SHIM 0.2 MM THICK	AR	FOR SELECTION	
23	3122831252	SHIM 0.4 MM THICK	AR	FOR SELECTION	
23	3122832152	SHIM 0.8 MM THICK	AR	FOR SELECTION	
27	3522610780	GASKET (GEAR CASE COVER REAR)	1		
30	250526713755	GEAR CASE COVER TOP (LOWER HALF)	1		
31	250530145301	GASKET	1		

CHASSIS TYPE: 381313



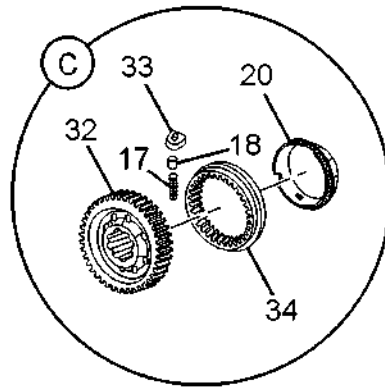
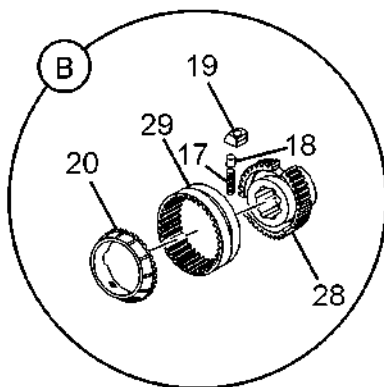
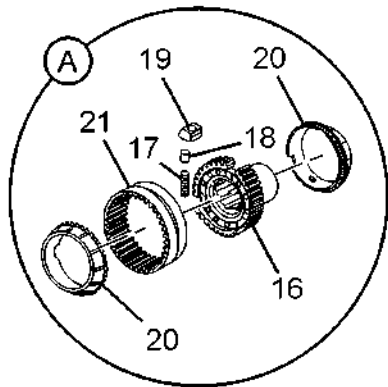
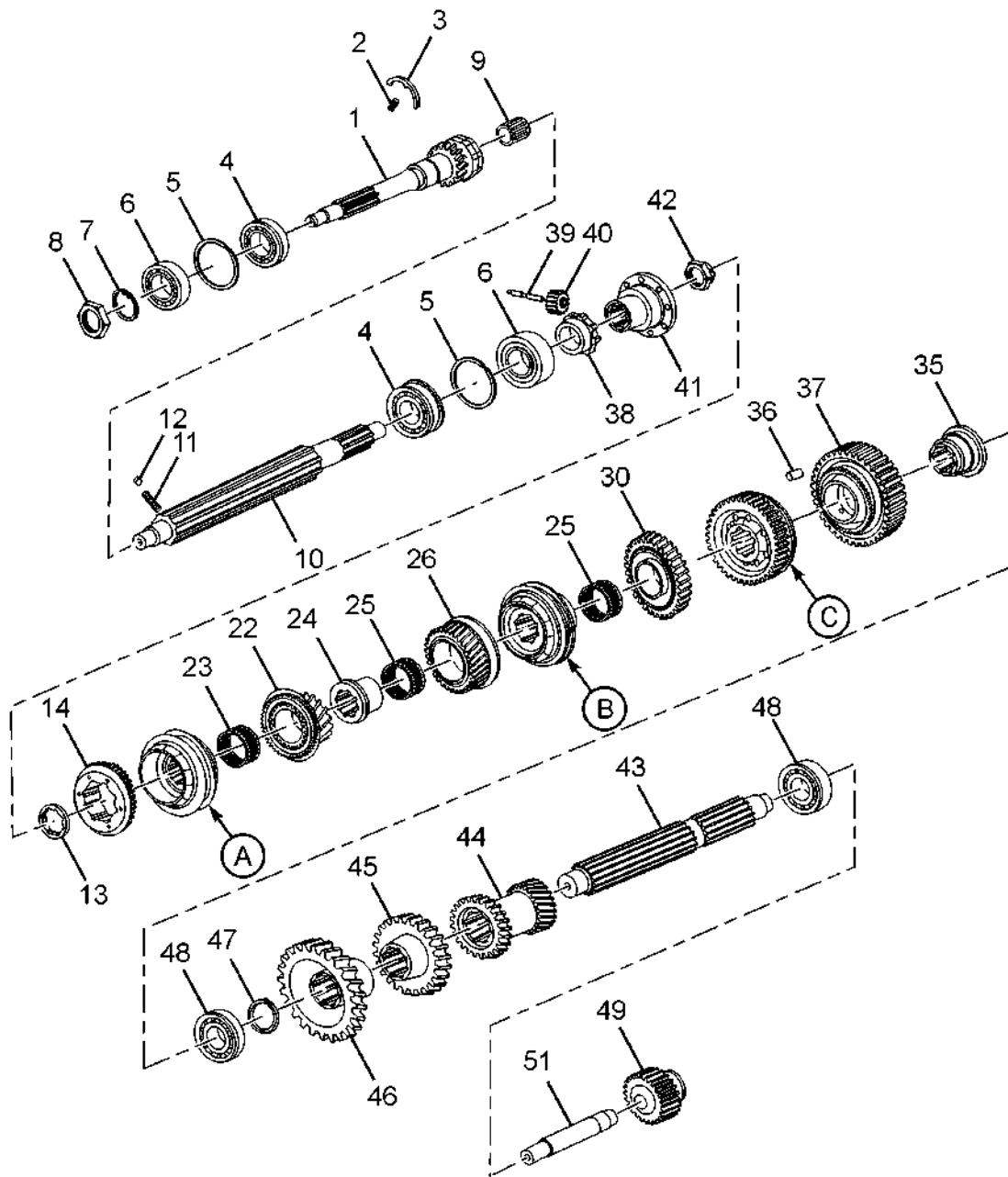
26.26.01B		GEARBOX HOUSING		GROUP 26
CHASSIS TYPE: 381313				
FIG. NO.	PART NUMBER	DESCRIPTION	QTY	REMARKS
32	250530128801	STUD	4	
33	250526716701	PIN SWING LEVER	1	
37	266835150102	PRESSURE RELIEF VALVE	1	
38	250530116701	THRUST PIN (REVERSE INDICATOR SWITCH)	1	
39	3129934201	PRESSURE SPRING (REVERSE INDICATOR SWITCH)	1	
40	265454510123	ASSY.REV.LT.SW.P/TAIL-MS HARNESS [O.DRG]	1	
41	250526705105	SWING LEVER - 1ST SPEED	1	
42	250530129201	WASHER (SWING LEVER)	1	
43	250526713409	PRESSURE PIECE FOR CHECK PLATE	1	
44	250526718702	PRESSURE SPRING FOR PRESSURE PIECE	1	
45	3219970103	SLOTTED PLUG	1	
46	250526713410	INTERLOCKING PIN	1	
47	3219930601	PRESSURE SPRING FOR INTERLOCKING PIN	1	
48	16082502401	SEALING PLUG M 24X1.5	1	
49	3212600846	ASSY. CHECK PLATE	1	
—	250526713407	STOPPER PIECE CHECK PLATE	4	
—	250526713403	SUPPORT PIECE CHECK PLATE	4	
54	3212650805	SELECTOR SHAFT FOR FIRST SPEED	1	
55	3212651805	SELECTOR SHAFT (2/3)	1	
56	3212651905	SELECTOR SHAFT (4/5)	1	
57	3222650305	SELECTOR SHAFT (FOR REVERSE GEAR)	1	
58	3222650123	GEAR SHIFT DOG (FOR FIRST GEAR)	1	
59	3212651202	SELECTOR FORK (2/3)	1	
60	250526515102	SELECTOR FORK (4/5)	1	
61	3212651301	SELECTOR FORK (FOR 1ST SPEED GEAR)	1	
62	250526515101	SELECTOR FORK (FOR REVERSE GEAR)	1	
63	3129931001	PRESSURE SPRING	4	
64	15950101102	STEEL BALL 11 MM DIA.	4	
65	3122651036	CLAMP (SELECTOR SHAFT TO GEAR BOX HOUSING)	4	
66	3129940332	LOCKING PLATE (SELECTOR SHAFT TO GEAR BOX HOUSING) TOP COVER	2	

CHASSIS TYPE: 381313



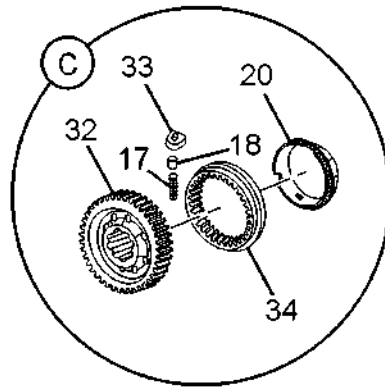
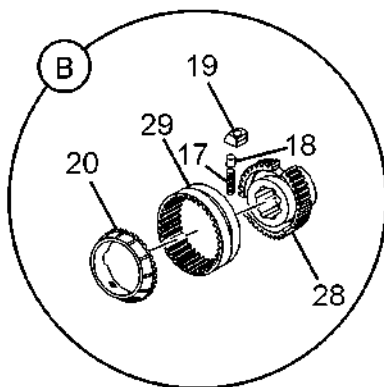
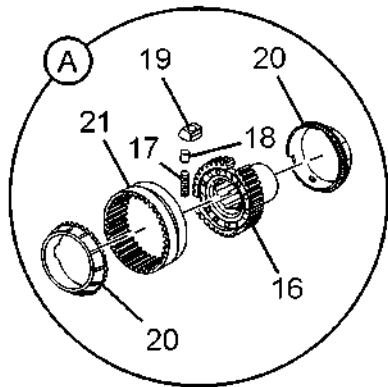
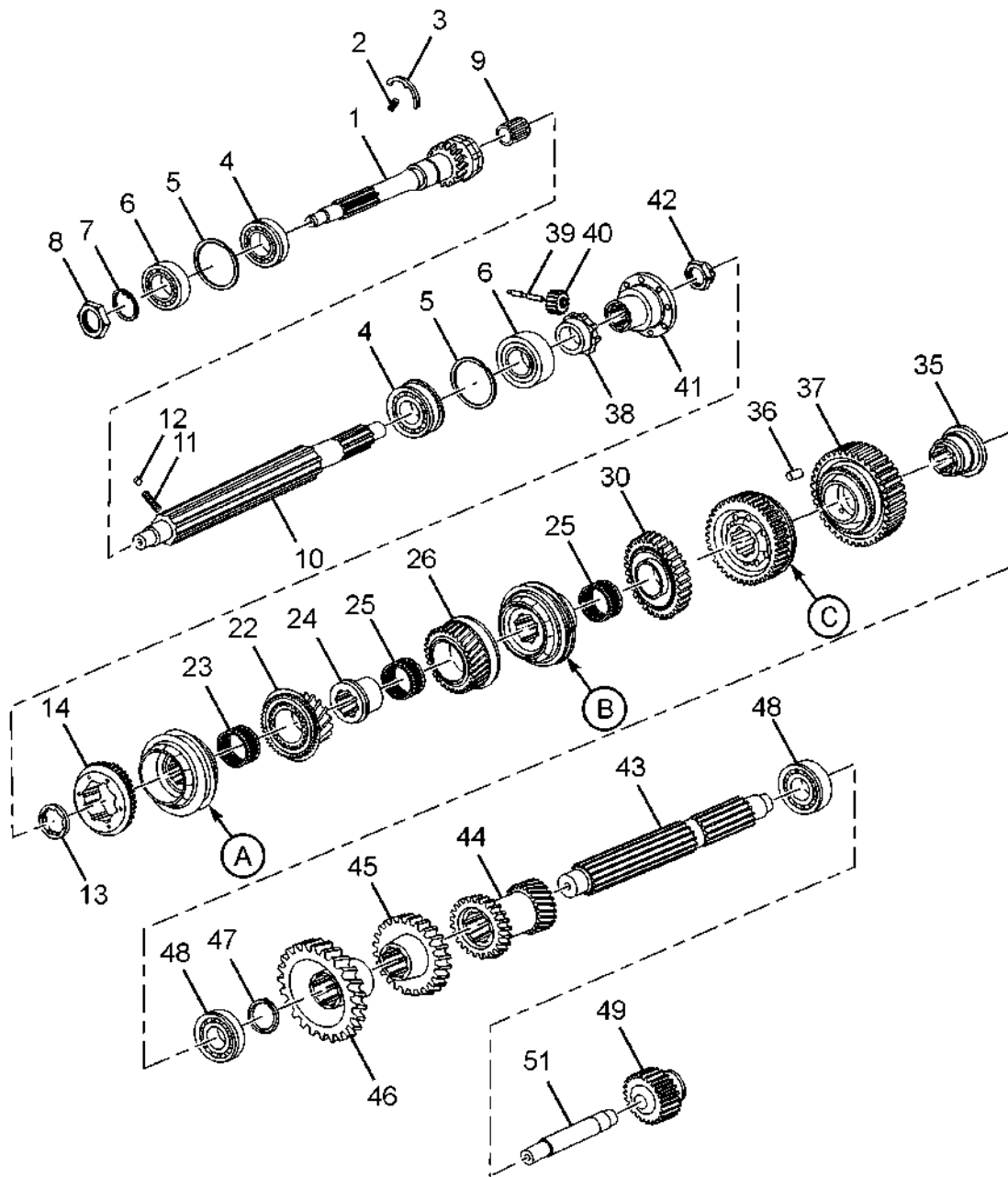
26.26.01B		GEARBOX HOUSING		GROUP 26
CHASSIS TYPE: 381313				
FIG. NO.	PART NUMBER	DESCRIPTION	QTY	REMARKS
67	250526713756	COVER TOP (UPPER HALF)	1	
68	250726713105	NEEDLE BEARING	2	
69	250526705104	SHIFTER FINGER	1	
70	250526707909	SELECTOR & SHIFTER SHAFT	1	
73	17061602518	OIL SEAL	1	
74	250726717803	SCRAPER RING	1	
75	250726706013	SHIFTING LEVER	1	
76	250526718222	CAP	1	
77	250526717701	BELLOW	1	
78	14270202501	HOSE CLIP 25	1	
79	250626715301	GASKET (BETWEEN UPPER & LOWER HALF)	1	
83	3212650849	SLIDING KEY	1	
		GASKET KIT		
	250526000101	GEAR BOX GASKET KIT CONSISTING OF :	1	
6	-	GASKET FRONT COVER LOWER	1	
11	-	GASKET FRONT COVERUPPER	1	
27	-	GASKET REAR COVER	1	
31	-	GASKET TOP COVER	1	
--	885426051613	OVERHAULING KIT - GB 40 CONSISTING OF :	1	
--	-	OIL SEAL	1	
--	-	OIL SEAL (FRONT COVER)	1	
--	-	SHIM 0.10 MM THICK	1	
--	-	SHIM 0.20 MM THICK	1	
--	-	SHIM 0.40 MM THICK	1	
--	-	SHIM 0.05 MM THICK	1	
--	-	SHIM 0.80 MM THICK	1	
--	-	GASKET (GB COVER LOWER TO GB HOUSING)	1	
--	-	GASKET (FRONT COVER TOP TO GB HOUSING)	1	
--	-	GASKET (GB COVER RR)	1	
--	-	GASKET (GB TOP COVER)	1	
--	-	HEX COLLAR NUT	1	
--	-	HEX NUT	1	
--	-	PRESSURE SPRING	1	
--	-	PIN MAIN SHAFT	1	

CHASSIS TYPE: ALL



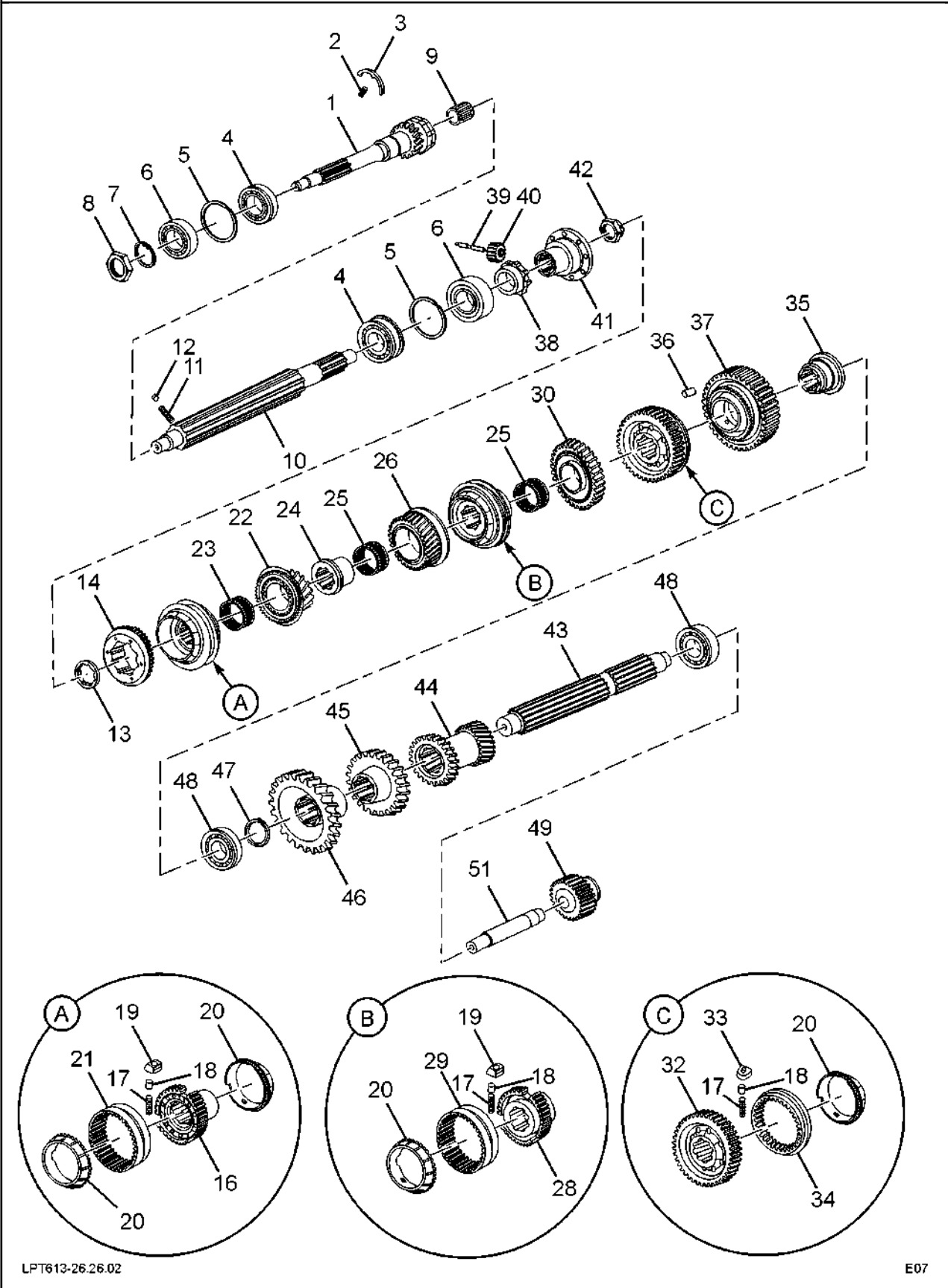
26.26.02		GEAR SHAFT AND GEAR		GROUP 26	
CHASSIS TYPE: ALL					
FIG. NO.	PART NUMBER	DESCRIPTION	QTY	REMARKS	
1	250526257904	DRIVE SHAFT (6.34)	1		
2	3219931201	COMPRESSION SPRING	1		
3	3212620073	CLAMPING PLATE	1		
4	0009811201	CYLINDRICAL ROLLER BEARING	1		
5	250526204302	SNAP RING 2.68 MM THICK	2		
5	250526204303	SNAP RING 2.73 MM THICK	2		
5	250526204304	SNAP RING 2.78 MM THICK	2		
5	250526204305	SNAP RING 2.83 MM THICK	2		
5	250526204306	SNAP RING 2.88 MM THICK	2		
5	250526204307	SNAP RING 2.93 MM THICK	2		
6	250526203106	FOUR POINT BALL BEARING	2		
7	250726258601	SPACER ON DRIVE SHAFT	1		
8	3122621172	LOCK NUT LH THREAD	1		
9	250526203118	ROLLER CAGE (31MM LONG)	1		
10	250526207903	MAIN SHAFT (W/O GROOVE)	1		
11	3129931701	PRESSURE SPRING	1		
12	3212620374	PIN ON MAIN SHAFT	1		
13	3212622162	BUTTING RING 6.90 MM THICK	1	FOR SELECTION	
13	250526208608	BUTTING RING 6.95 MM THICK	1	FOR SELECTION	
13	3212622062	BUTTING RING 7.00 MM THICK	1	FOR SELECTION	
13	250526208609	BUTTING RING 7.05 MM THICK	1	FOR SELECTION	
13	3212621962	BUTTING RING 7.10 MM THICK	1	FOR SELECTION	
13	250526208610	BUTTING RING 7.15 MM THICK	1	FOR SELECTION	
13	3212621862	BUTTING RING 7.20 MM THICK	1	FOR SELECTION	
13	250526208611	BUTTING RING 7.25 MM THICK	1	FOR SELECTION	
13	3212621762	BUTTING RING 7.30 MM THICK	1	FOR SELECTION	
13	250526208612	BUTTING RING 7.35 MM THICK	1	FOR SELECTION	
13	3212620462	BUTTING RING 7.40 MM THICK	1	FOR SELECTION	
13	3212622862	BUTTING RING 7.45 MM THICK	1	FOR SELECTION	
13	3212620562	BUTTING RING 7.50 MM THICK	1	FOR SELECTION	
13	3212622962	BUTTING RING 7.55 MM THICK	1	FOR SELECTION	
13	3212620662	BUTTING RING 7.60 MM THICK	1	FOR SELECTION	
13	3212623062	BUTTING RING 7.65 MM THICK	1	FOR SELECTION	
13	3212620762	BUTTING RING 7.70 MM THICK	1	FOR SELECTION	
13	250526208613	BUTTING RING 7.75 MM THICK	1	FOR SELECTION	
13	3212622562	BUTTING RING 7.80 MM THICK	1	FOR SELECTION	
13	250526208614	BUTTING RING 7.85 MM THICK	1	FOR SELECTION	
13	3212622662	BUTTING RING 7.90 MM THICK	1	FOR SELECTION	
13	250526208615	BUTTING RING 7.95 MM THICK	1	FOR SELECTION	
13	3212622762	BUTTING RING 8.00 MM THICK	1	FOR SELECTION	
14	3222620134	SYNCHRONISING RING	1		

CHASSIS TYPE: ALL



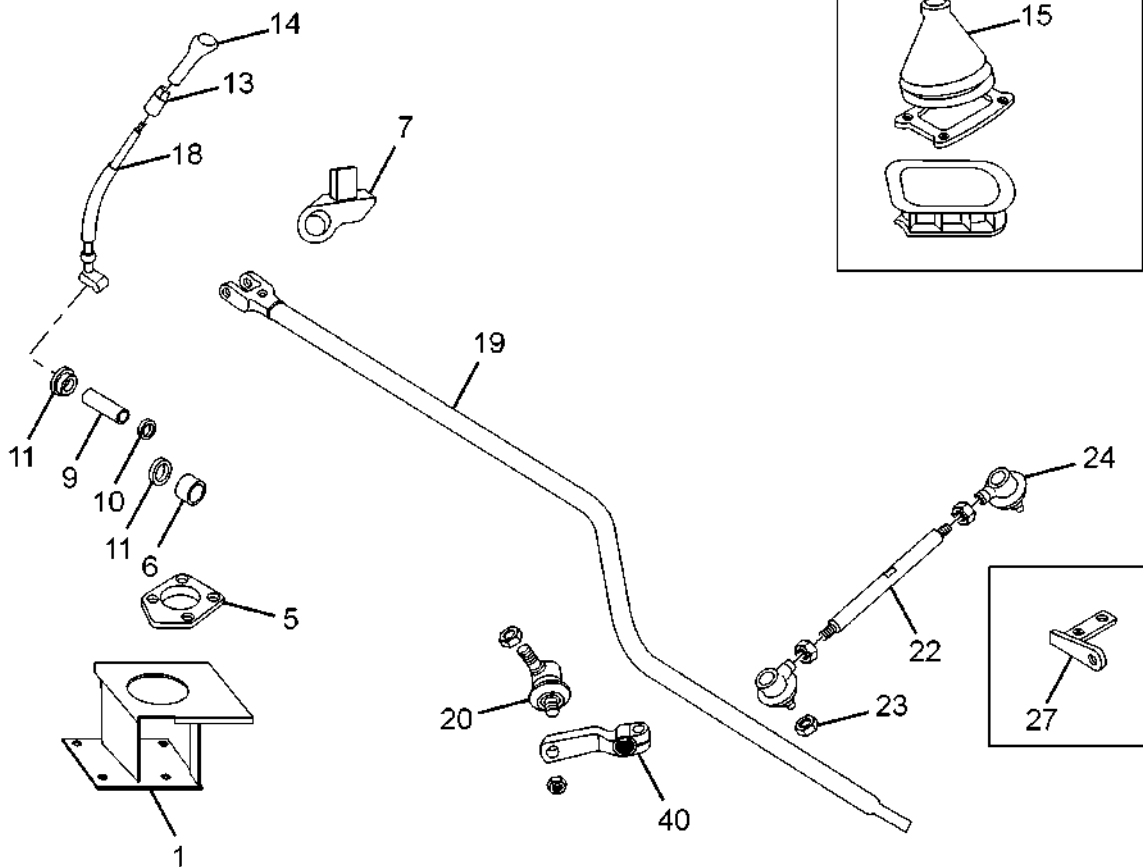
26.26.02		GEAR SHAFT AND GEAR		GROUP 26	
CHASSIS TYPE: ALL					
FIG. NO.	PART NUMBER	DESCRIPTION	QTY	REMARKS	
16	250530155403	SYNCHRONISING SLEEVE 4TH & 5TH	1		
20	250526203802	SYNCHRONISING CONE	2		
21	3212620823	SHIFTING SLEEVE	1		
22	250526200135	ASSY. HELICAL GEAR 4TH SPEED	1		
23	250526203123	DOUBLE ROW NEEDLE CAGE	1		
24	3222624050	COLLAR BUSHING 44.5 MM LONG (FOR THIRD SPEED GEAR)	1	FOR SELECTION	
24	3222624150	COLLAR BUSHING 44.6 MM LONG (FOR THIRD SPEED GEAR)	1	FOR SELECTION	
25	250526203124	DOUBLE ROW ROLLER CAGE	1		
26	250526200118	ASSY. HELICAL GEAR 3RD SPEED	1		
28	3222620435	SYNCHRONISING SLEEVE 2/3	1		
20	250526203802	SYNCHRONISING CONE	2		
29	3212620823	SHIFTING SLEEVE	1		
25	250526203124	DOUBLE ROW ROLLER CAGE	1		
30	3222620112	HELICAL GEAR 2ND SPEED	1		
32	3222630333	REVERSE GEAR ON MAIN SHAFT	1		
20	250526203802	SYNCHRONISING CONE	1		
34	3212620723	SHIFTER SLEEVE 1ST SPEED	1		
35	250530153401	COLLAR BUSHING 47.2 MM LONG	1		
35	250530153402	COLLAR BUSHING 47.3 MM LONG	1		
35	250530153403	COLLAR BUSHING 47.4 MM LONG	1		
35	250530153404	COLLAR BUSHING 47.5 MM LONG	1		
35	250530153405	COLLAR BUSHING 47.6 MM LONG	1		
35	250530153406	COLLAR BUSHING 47.7 MM LONG	1		
35	250530153407	COLLAR BUSHING 47.8 MM LONG	1		
35	250530153408	COLLAR BUSHING 47.9 MM LONG	1		
36	250526203001	CYLINDRICAL ROLLER 4X8	115		
37	250530155401	GEAR WHEEL 1ST SPEED	1		
38	3522640130	GEAR SPEEDOMETER DRIVE	1		
39	250526207902	SHAFT (SPEEDO DRIVE)	1		
40	3522640130	SPEEDO PINION (NYLON)	1		
41	3222620045	COUPLING FLANGE (8 HOLES)	1		
42	3222620072	HEX. NUT	1		
43	250530147901	COUNTER SHAFT (WITH PTO PROVISION)			
43	250526307901	COUNTER SHAFT W/O PTO PROV	1		
44	250526305402	TWIN GEAR (COUNTER SHAFT) (2/3)	1		
45	250526305401	4TH GEAR (ON COUNTER SHAFT)	1		
46	250526305407	CONSTANT MESH GEAR (ON COUNTER SHAFT) (6.34)	1		
47	14550699053	CIRCLIP A 52X2.5	1		

CHASSIS TYPE: ALL



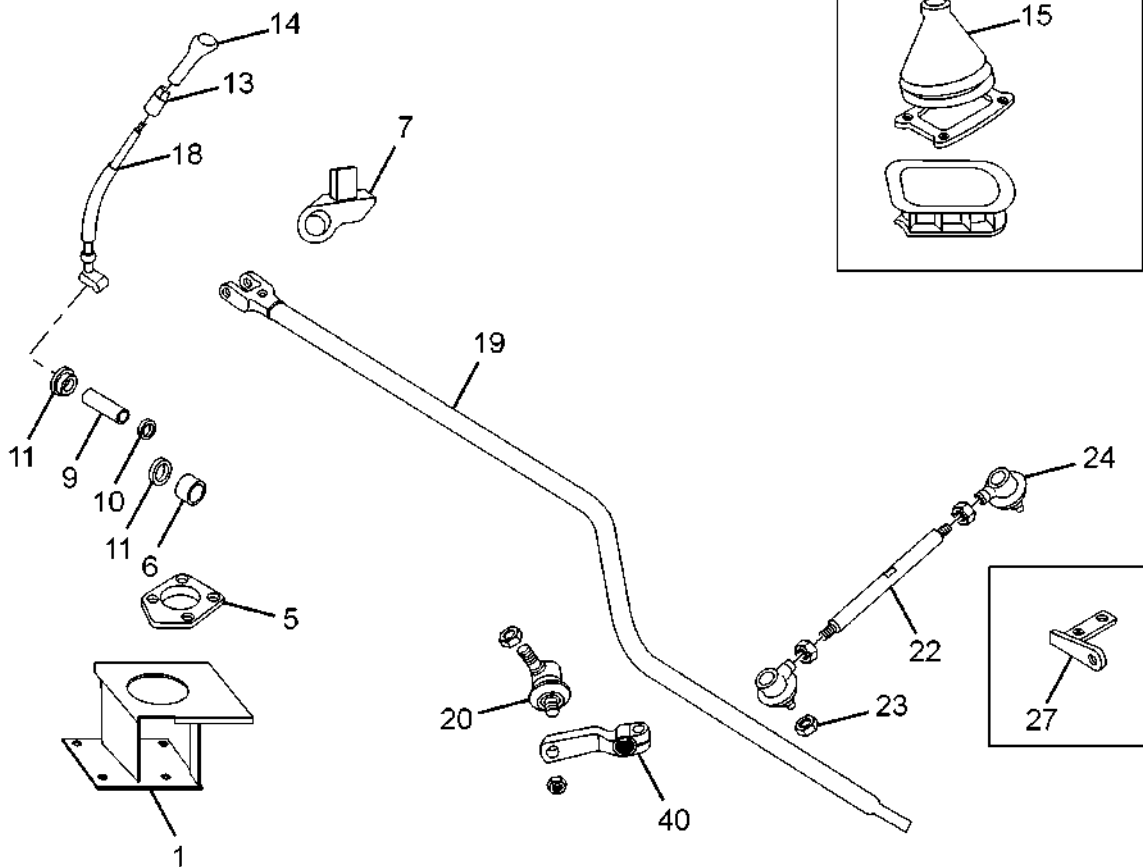
26.26.02		GEAR SHAFT AND GEAR		GROUP 26
CHASSIS TYPE: ALL				
FIG. NO.	PART NUMBER	DESCRIPTION	QTY	REMARKS
48	250526303104	TAPER ROLLER BEARING	2	
49	250526350102	REVERSE IDLER GEAR WITH BUSH	1	
—	250526353401	BUSH (REVERSE IDLER GEAR)	1	
51	250530177901	REVERSE IDLER GEAR SHAFT	1	
—	885426041612	SYNCHRO KIT GBS 40 CONSISTING OF :	1	
19	-	CARRIER 4/5 & 2/3	6	
33	-	CARRIER 1ST	3	
18	-	RETENTION PIN 4/5, 2/3	6	
18	-	RETENTION PIN 1ST	3	
17	-	COMP. SPRING	9	

CHASSIS TYPE: 381226



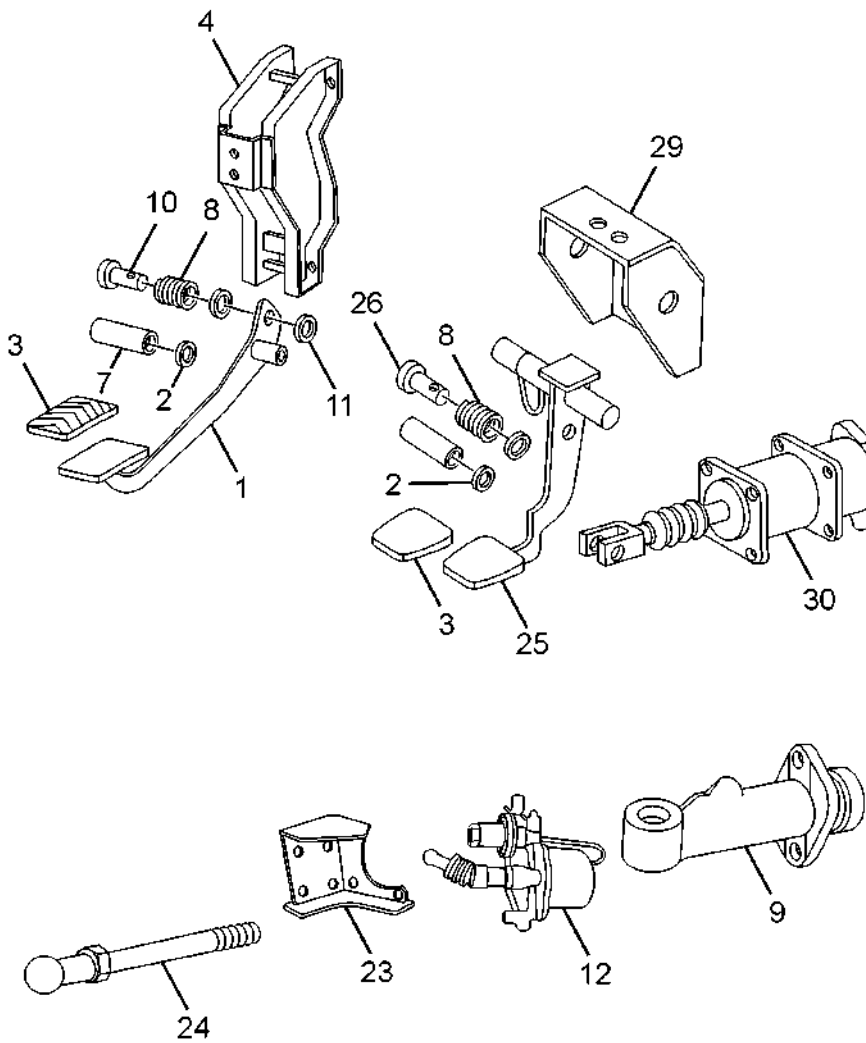
26.26.03A		GEAR SHIFT LINKAGE		GROUP 26
CHASSIS TYPE: 381226				
FIG. NO.	PART NUMBER	DESCRIPTION	QTY	REMARKS
1	264326810106	ASSY BRACKET (FOR COWL VERSION)	1	
—	264126803412	BUSH (SPHERICAL SEAT G.S.LEVER)	1	
5	264126800204	SUB ASSY. CUP	1	
6	268426713403	BUSH (EXTENSION ARM)	1	
7	264126803409	BUSH (G.S.L.BALL SEAT)	1	
9	264126808238	RETAINING PLATE	1	
10	264126808702	SPRING RING	1	
11	3522540097	RUBBER BELLOW	1	
—	264126808234	BELLOW HOLDER	1	
13	264126806304	SPACER GEAR SHIFT LEVER	1	
14	263026700102	ASSY. GEAR SHIFT LEVER KNOB	1	
18	264126800227	ASSY. GEAR SHIFT LEVER WITH BUSHES	1	
19	264326800133	ASSY. TURNING TUBE (WITHOUT BALL JOINT)	1	
20	250726700152	SUB. ASSY. BALL AND SOCKET JOINT BIG	1	
22	276326807901	LINK ROD	1	
23	264126800224	ASSY. BALL JOINT, RH THREADS	1	
24	264126800225	ASSY. BALL JOINT, LH THREADS	1	
27	250526710260	ASSY. BRACKET GEAR SHIFT LEVER	1	
40	250726706013	ASSY. SHIFTING LEVER	1	
---	264326810107	SUB ASSY. GUSSET (G S LEVER BKT)	1	

CHASSIS TYPE: 381313



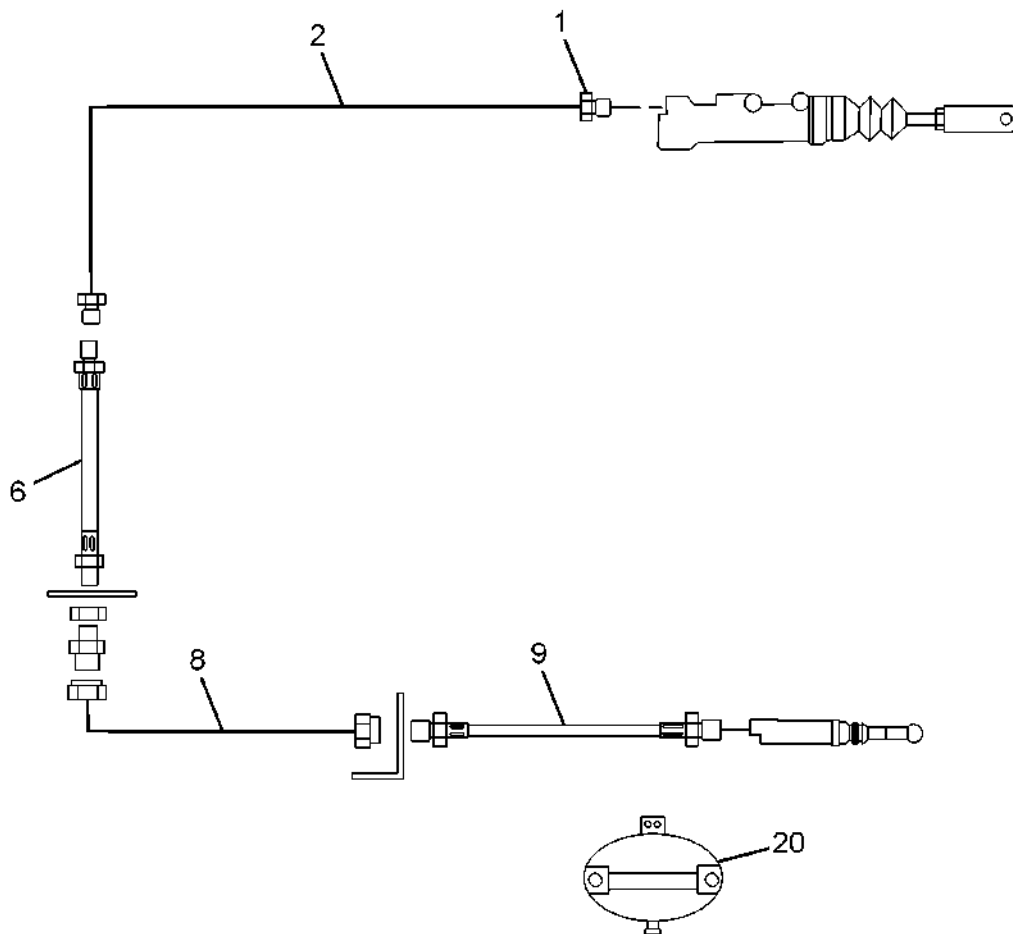
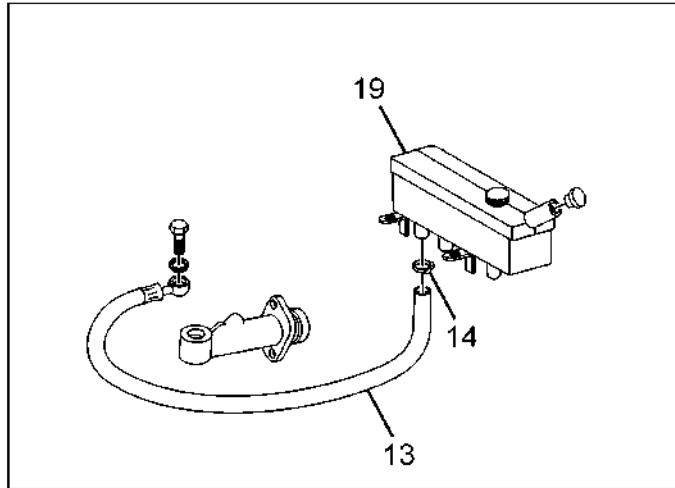
26.26.03B		GEAR SHIFT LINKAGE		GROUP 26
CHASSIS TYPE: 381313				
FIG. NO.	PART NUMBER	DESCRIPTION	QTY	REMARKS
1	264326810105	ASSY. BRACKET	1	
—	264126803412	BUSH (SPHERICAL SEAT G.S.LEVER)	1	
5	264126800204	SUB ASSY. CUP	1	
6	268426713403	BUSH (EXTENSION ARM)	1	
7	264126803409	BUSH (G.S.L.BALL SEAT)	1	
9	264126808238	RETAINING PLATE	1	
10	264126808702	SPRING RING	1	
11	3522540097	RUBBER BELLOW	1	
—	264126808234	BELLOW HOLDER	1	
13	264126806304	SPACER GEAR SHIFT LEVER	1	
14	263026700102	ASSY. GEAR SHIFT LEVER KNOB	1	
15	264126807717	RUBBER SEAL	1	
-	264126807715	FLAP (FOR CAB VERSION)	1	
-	264126800188	ASSY. RUBBER BELLOW	1	
18	264126800227	ASSY. GEAR SHIFT LEVER WITH BUSHES	1	
19	264326800133	ASSY. TURNING TUBE (WITHOUT BALL JOINT)	1	
20	250726700152	SUB. ASSY. BALL AND SOCKET JOINT BIG	1	
22	276326807901	LINK ROD	1	
23	264126800224	ASSY. BALL JOINT, RH THREADS	1	
24	264126800225	ASSY. BALL JOINT, LH THREADS	1	
27	250526710260	ASSY. BRACKET GEAR SHIFT LEVER	1	
40	250726706013	ASSY. SHIFTING LEVER	1	
---	264326810107	SUB ASSY. GUSSET (G S LEVER BKT)	1	

CHASSIS TYPE: ALL



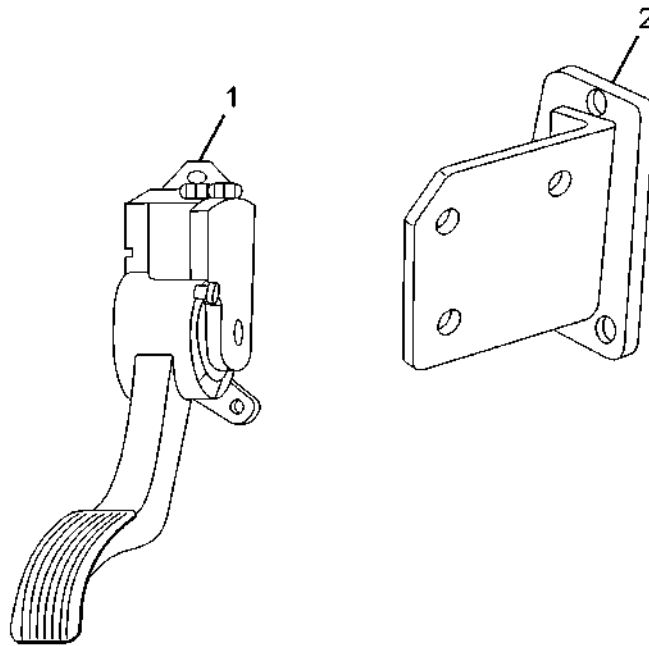
29.29.01		CLUTCH AND BRAKE CONTROL		GROUP 29
CHASSIS TYPE: ALL				
FIG. NO.	PART NUMBER	DESCRIPTION	QTY	REMARKS
1	264129200109	ASSY.CLUTCH PEDAL	1	
2	265129103401	SINTERED BUSH	2	
3	265129107703	RUBBER COVER	1	
4	264129200107	ASSY.SUPPORT COMPLETE(CLUTCH)	1	
7	264129108602	SPACER	1	
8	264129108701	TORSION SPRING	1	
9	264129100117	ASSY. CLUTCH MASTER CYL.	1	
10	264129106702	PIN CLUTCH PEDAL	1	
11	264129106301	BUSH (CLUTCH PEDAL)	1	
12	264129200112	ASSY. CLUTCH BOOSTER(90DIA)	1	
23	264129200113	ASSY.BRACKET (CLUTCH BOOSTER MTG.)	1	
24	264129300104	ASSY. PUSH ROD	1	
		BRAKE PEDAL		
25	264329100135	ASSY. BRAKE PEDAL COMPLETE, LHD	1	
2	265129103401	SINTERED BUSH	2	
—	264129109902	SLEEVE	1	
3	265129107703	RUBBER COVER	1	
26	264129106703	BRAKE PIN	1	
8	264129108701	TORSION SPRING	1	
29	264129200110	ASSY. COVER (CONTROLS)	1	
30	263243700165	FOOT BRAKE VALVE VOSS 74.5MM	1	
—	264129100155	MAJOR REPAIR KIT CLUTCH MASTER CYLINDER, CONSISTING OF :	1	
	-	MINOR REPAIR KIT CLUTCH MASTER CYLINDER	1	
	-	CRIMPING SLEEVE	1	
	-	SEAL	1	
	-	PUSH ROD	1	
	-	FORK	1	
	-	CIRCLIP	1	
	-	RUBBER BELLOW	1	
—	264129100156	MINOR REPAIR KIT CLUTCH MASTER CYLINDER	1	
	264129200114	MAJOR REPAIR KIT, CLUTCH BOOSTER	1	
	264129200115	MINOR REPAIR KIT, CLUTCH BOOSTER	1	

CHASSIS TYPE: ALL



29.29.02		CLUTCH PIPE LINES		GROUP 29	
CHASSIS TYPE: ALL					
FIG. NO.	PART NUMBER	DESCRIPTION	QTY	REMARKS	
1	0004280172J	COUPLING NUT	4		
2	264329200108	ASSY. TUBE	1		
6	264129100199	ASSY. HOSE	1		
8	264329200107	ASSY. TUBE	1		
9	0004280035J	ASSY HIGH PRESSURE HOSE BI	1		
13	264129100127	ASSY CONNECTING LINE	1		
14	14270201700	HOSE CLIP 17	2		
19	264129100182	ASSY. FLUID CONTAINER	1		
20	277043700113	PURGE TANK (SUITABLE FOR VOSS)	1		
	257643506804	SOCKET	1		

CHASSIS TYPE: ALL

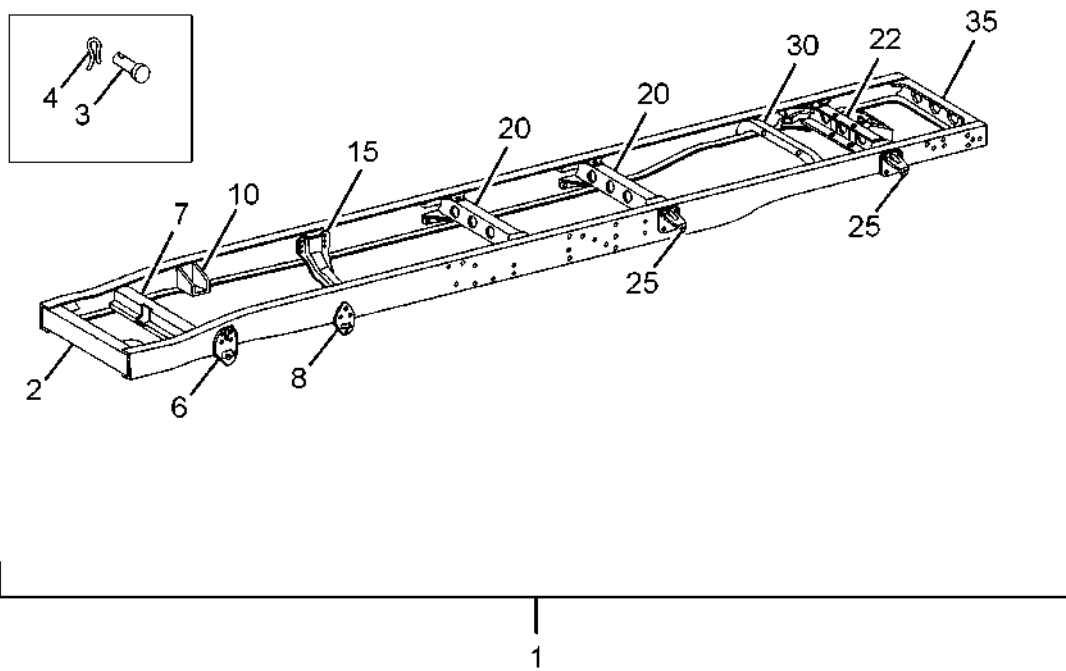


30.30.01	ACCELERATOR CONTROL	GROUP 30
----------	---------------------	----------

CHASSIS TYPE: ALL

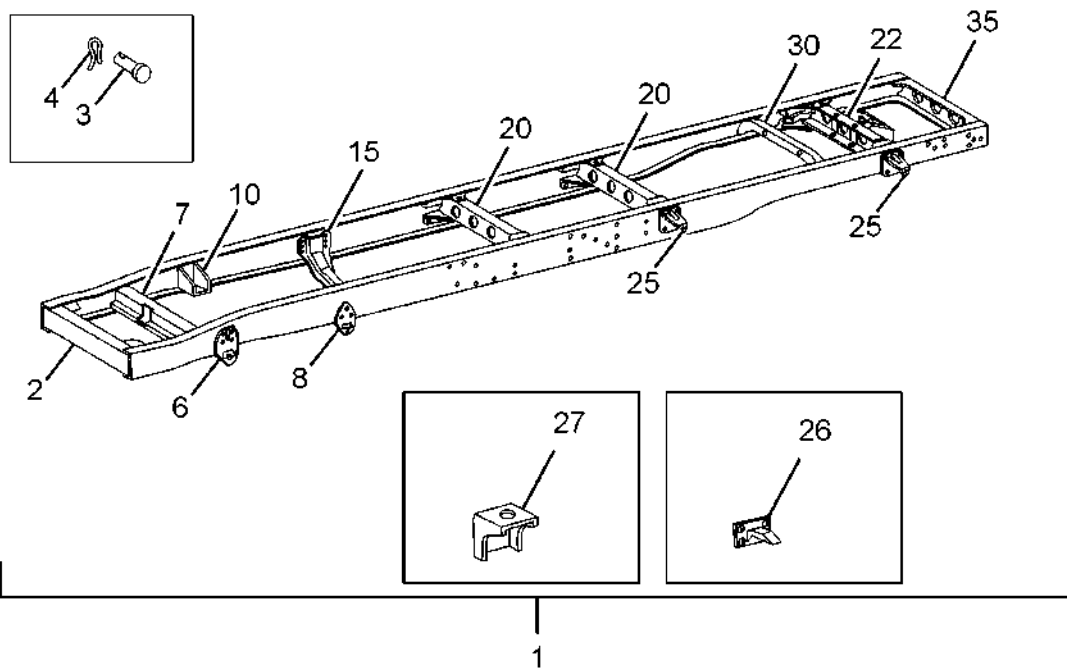
FIG. NO.	PART NUMBER	DESCRIPTION	QTY	REMARKS
1	264130100155	ACCELERATOR PEDAL MODULE (M/S BOSCH)	1	
2	264330100126	ASSY. BRACKET ACCL. MODULE MTG.	1	

CHASSIS TYPE: 381226



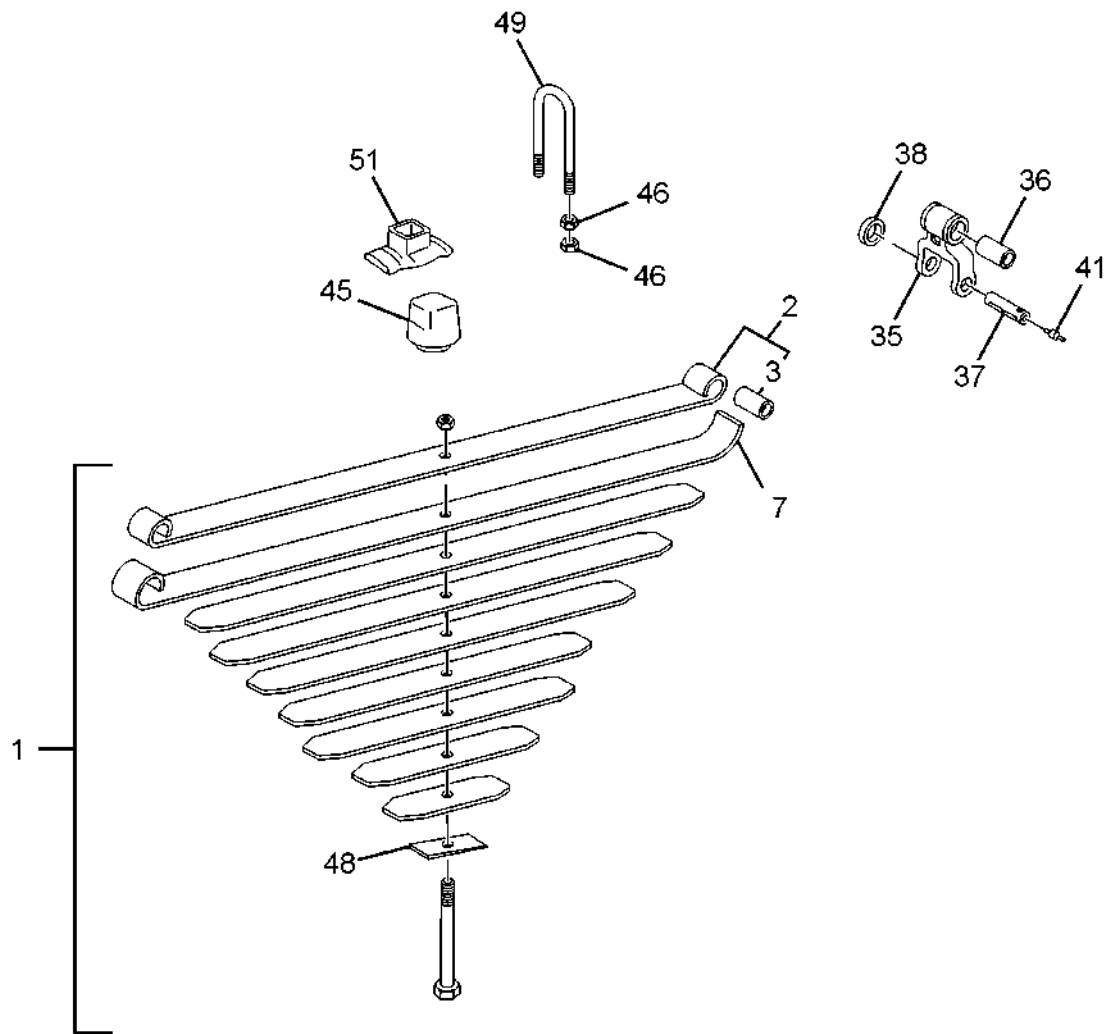
31.31.01A		FRAME		GROUP 31
CHASSIS TYPE: 381226				
FIG. NO.	PART NUMBER	DESCRIPTION	QTY	REMARKS
1	264331000104	ASSY FRAME COMP.(LP613/38)	1	
2	264131200109	ASSY. FRONT CROSS MEMBER	1	
3	265131406701	PIN	1	
4	265131406702	PIN	1	
6	264132100103	ASSY. BRACKET FRONT SPRING (FRONT)	2	
7	264331200101	ENGINE CROSS MEMBER (FRONT)	1	
8	264032100101	ASSY. FRONT SPRING BRACKET (REAR)	2	
10	264131200111	ASSY. SUPPORT (ENG. C.M. - REAR)	2	
	264332800101	ASSY FRT ANTI ROLL BAR MTG BRACKET R.H	1	
	264332800102	ASSY FRT ANTI ROLL BAR MTG BRACKET L.H	1	
15	264131208256	ENGINE CROSS MEMBER (REAR)	1	
20	264031208206	CROSS MEMBER	2	
22	264131200113	ASSY. CROSS MEMBER (SPARE WHEEL)	1	
25	264032403701	SPRING HANGER BRACKET (REAR)	4	
30	264131200120	ASSY. CROSS MEMBER (RR SH. ABSORBER)	1	
35	264131208255	END CROSS MEMBER	1	

CHASSIS TYPE: 381313



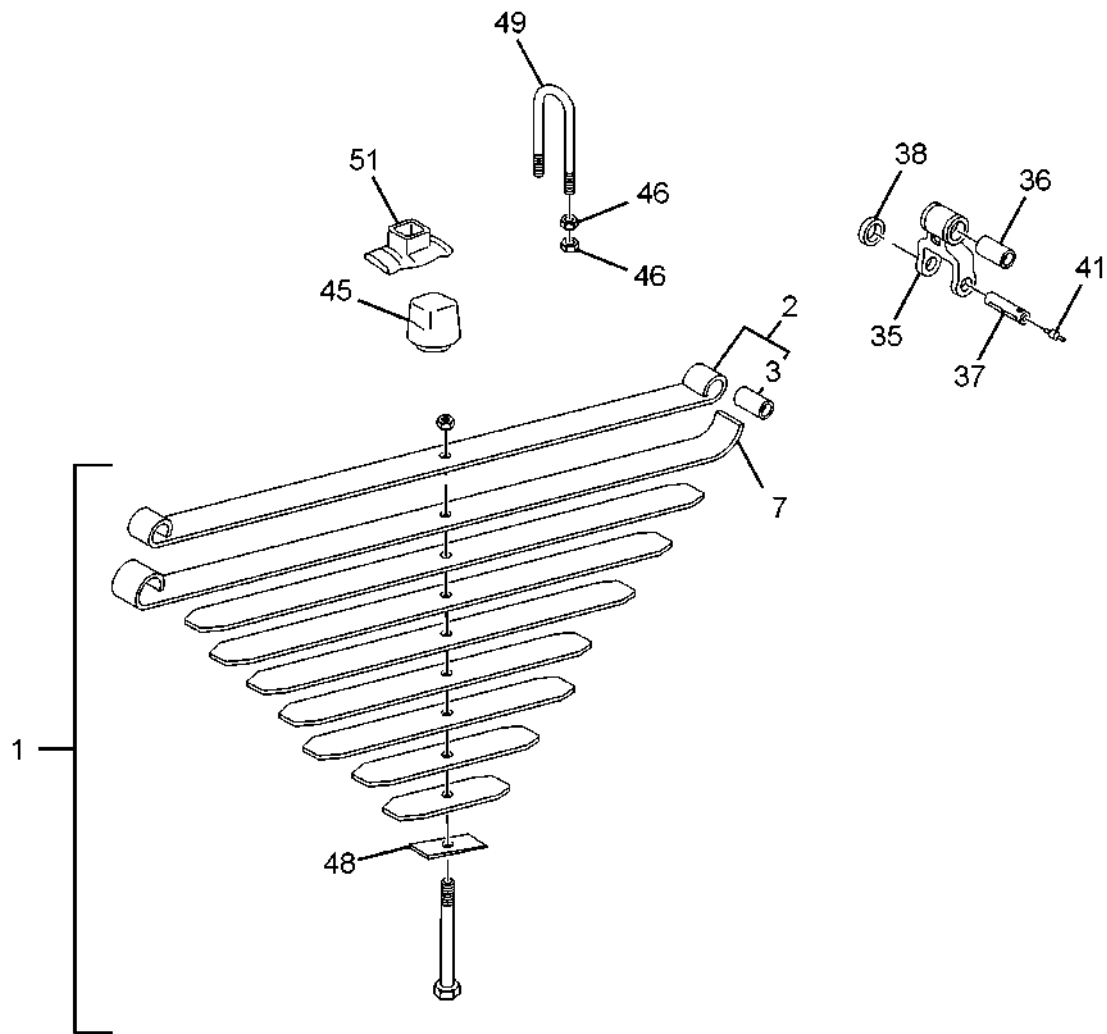
31.31.01B		FRAME		GROUP 31
CHASSIS TYPE: 381313				
FIG. NO.	PART NUMBER	DESCRIPTION	QTY	REMARKS
1	264331000102	ASSY FRAME COMP.(LP613/38)	1	
2	264131200109	ASSY. FRONT CROSS MEMBER	1	
3	265131406701	PIN	1	
4	265131406702	PIN	1	
6	264132100103	ASSY. BRACKET FRONT SPRING (FRONT)	2	
7	264331200101	ENGINE CROSS MEMBER (FRONT)	1	
8	264032100101	ASSY. FRONT SPRING BRACKET (REAR)	2	
10	264131200111	ASSY. SUPPORT (ENG. C.M. - REAR)	2	
15	264131208256	ENGINE CROSS MEMBER (REAR)	1	
—	264131300102	ASSY. BRACKET (BUMP STOP FRT. SPRING)	2	
20	264031208206	CROSS MEMBER	2	
22	264131200113	ASSY. CROSS MEMBER (SPARE WHEEL)	1	
25	264032403701	SPRING HANGER BRACKET (REAR)	4	
26	264132403702	SLIDE SUPPORT	4	
27	264131400111	ASSY. CLEAT	14	
30	264131200120	ASSY. CROSS MEMBER (RR SH. ABSORBER)	1	
35	264131208255	END CROSS MEMBER	1	
-	264331200111	ASSY. TUBE (ENG. BLOCK HEATER MTG.)	1	
	264331200109	ASSY. COVER TOP (ENG. BLOCK HEATER)	1	

CHASSIS TYPE: 381226



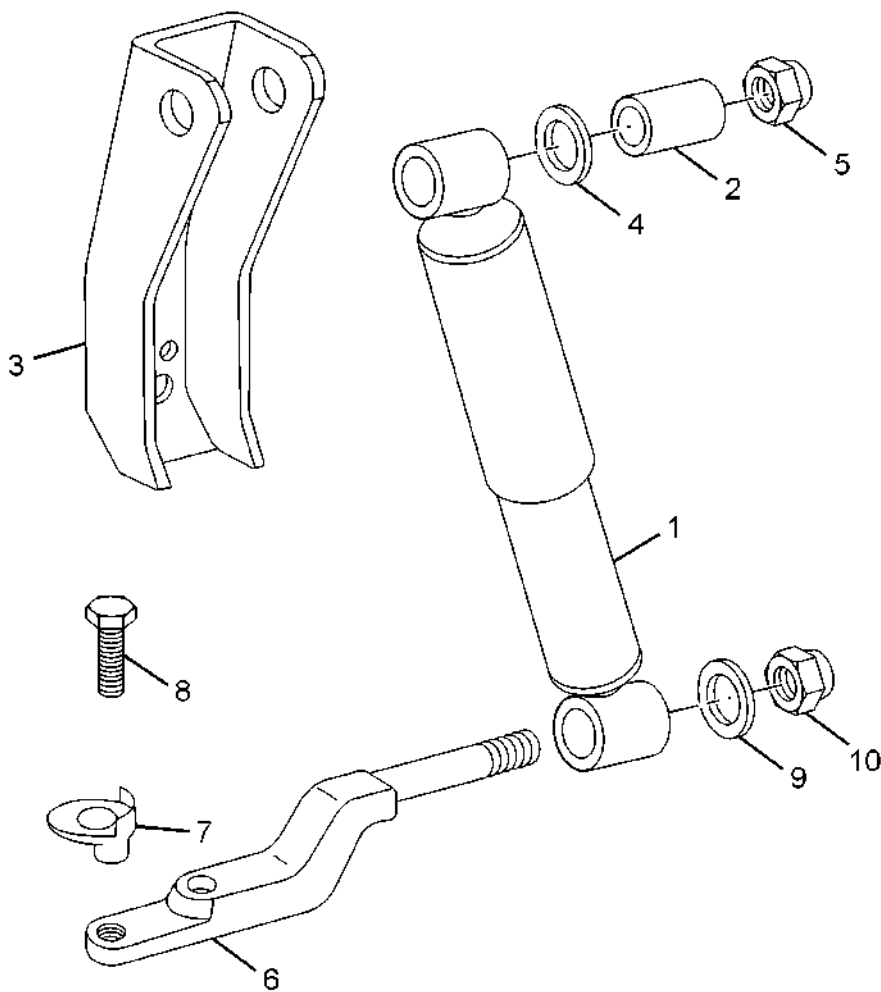
32.32.01A		FRONT SPRING		GROUP 32
CHASSIS TYPE: 381226				
FIG. NO.	PART NUMBER	DESCRIPTION	QTY	REMARKS
1	264332100107	ASSY. FRONT SPRING (HIGHER CAMBER)	1	DRIVER SIDE
2	264332100108	ASSY. FIRST LEAF WITH BUSH (HIGHER CAMBER)	1	
3	265132403401	BUSH	4	
7	264332107109	SECOND LEAF	1	
1	264332100109	ASSY. FRONT SPRING (NORMAL CAMBER)	1	
2	264332100110	ASSY. FIRST LEAF WITH BUSH (NORMAL CAMBER)	1	
7	264332107123	SECOND LEAF	1	
35	264032100105	ASSY. SHACKLE WITH BUSH	2	
36	265132403401	BUSH	4	
37	265132106704	SPRING PIN (SHACKLE END)	6	
38	265132400126	ASSY. SEALING RING	12	
—	264032108201	LOCKING PLATE	6	
41	257441109902	GREASE NIPPLE	5	
—	17170600801	GREASE NIPPLE AM 8X1	1	
45	264032207702	RUBBER BUFFER (FRONT)	2	
46	12052396067	HEX NUT M 16X1.5	16	
48	264132207103	CASTER PLATE	2	
49	264332204201	U - CLAMP (FRONT)	4	
51	206033105301	GUIDE PLATE (CAST) FRONT	2	

CHASSIS TYPE: 381313



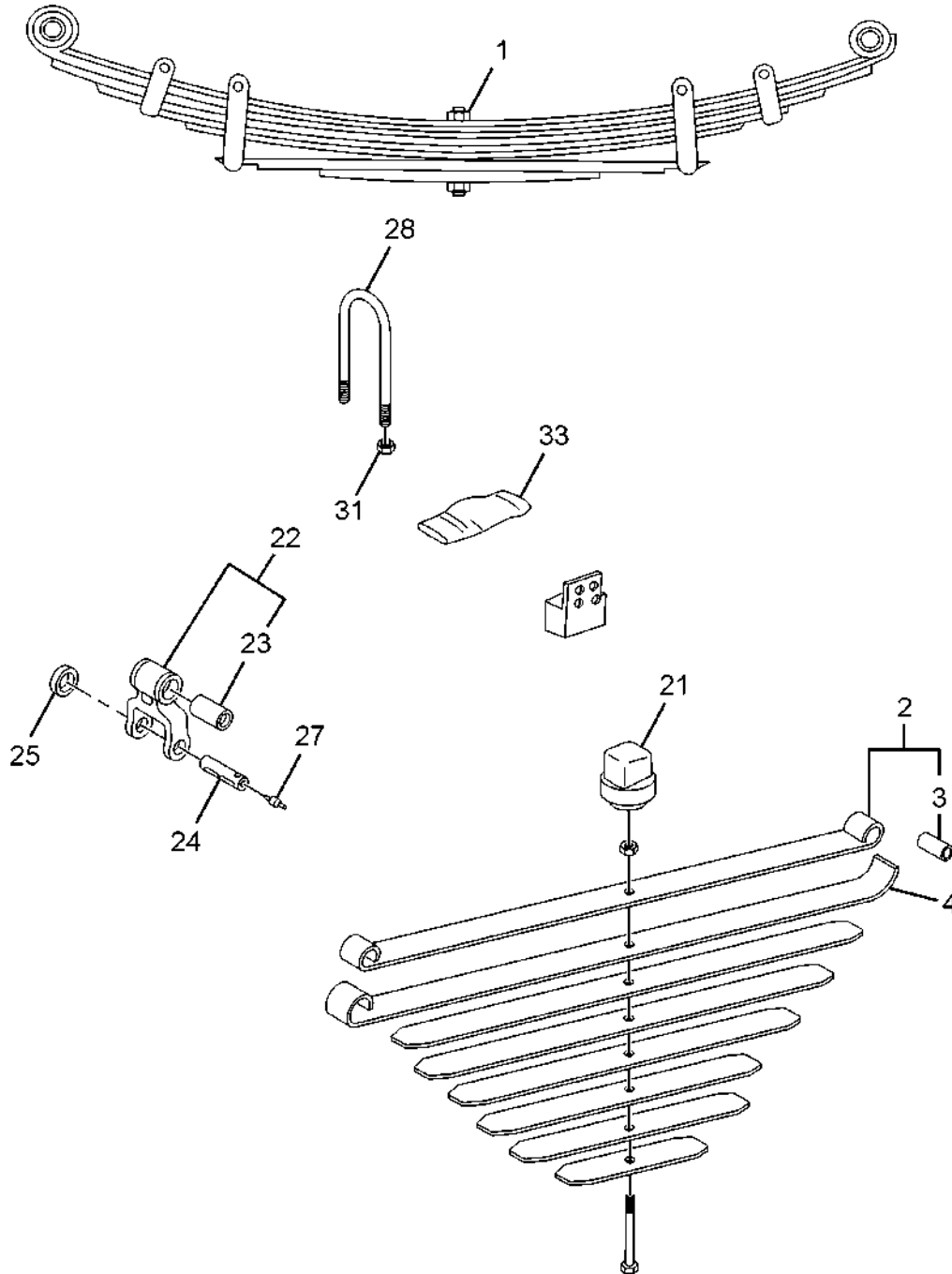
32.32.01B		FRONT SPRING		GROUP 32
CHASSIS TYPE: 381313				
FIG. NO.	PART NUMBER	DESCRIPTION	QTY	REMARKS
3	265132403401	BUSH	4	
1	264132100134	ASSY. FRONT SPRING (HIGHER CAMBER)	1	
2	264132100138	ASSY. FIRST LEAF WITH BUSH	1	
7	264132107206	SECOND LEAF	1	
1	264132100133	ASSY. FRONT SPRING (NORMAL CAMBER)	1	
2	264132100137	ASSY. FIRST LEAF WITH BUSH	1	
7	264132107195	SECOND LEAF	1	
35	264032100105	ASSY. SHACKLE WITH BUSH	2	
36	265132403401	BUSH	4	
37	265132106704	SPRING PIN (SHACKLE END)	6	
38	265132400126	ASSY. SEALING RING	12	
—	264032108201	LOCKING PLATE	6	
41	257441109902	GREASE NIPPLE	5	
—	17170600801	GREASE NIPPLE AM 8X1	1	
45	264032207702	RUBBER BUFFER (FRONT)	2	
46	12052396067	HEX NUT M 16X1.5	16	
48	264132207103	CASTER PLATE	2	
49	264132204209	U - CLAMP (FRONT)	4	
51	206033105301	GUIDE PLATE (CAST) FRONT	2	

CHASSIS TYPE: ALL



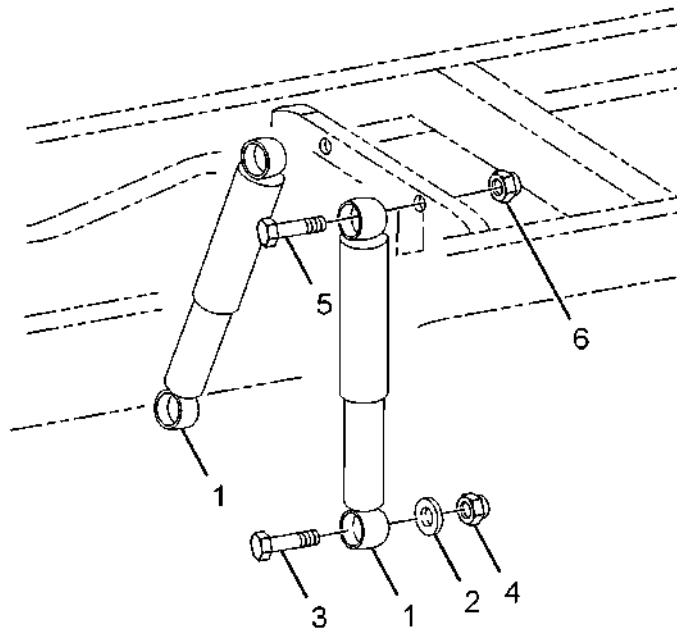
32.32.02		FRONT SHOCK ABSORBER		GROUP 32
CHASSIS TYPE: ALL				
FIG. NO.	PART NUMBER	DESCRIPTION	QTY	REMARKS
1	264132300101	ASSY FRONT SHOCK ABSORBER	2	
2	257432308602	BUSH (FRONT SHOCK ABSORBER)	4	
3	264432300102	ASSY. FRONT SHOCK ABSORBER BRACKET	2	
4	265132608210	WASHER	2	
5	12140601606	NYLOC NUT M 16X1.5	2	
—	3123231576	WASHER	4	
6	264132305103	BRACKET BOTTOM (FRONT SHOCK ABSORBER MTG.)	2	
—	11064199112	HEX BOLT M 12X1.5X52	2	
—	11324299078	HEX SCREW M 12X1.5X35	2	
7	12580601306	TAB WASHER 13	2	
8	11063996167	HEX BOLT M 16X1.5X125	2	
9	264132308206	WASHER	2	
10	12140601606	NYLOC NUT M 16X1.5	2	

CHASSIS TYPE: ALL



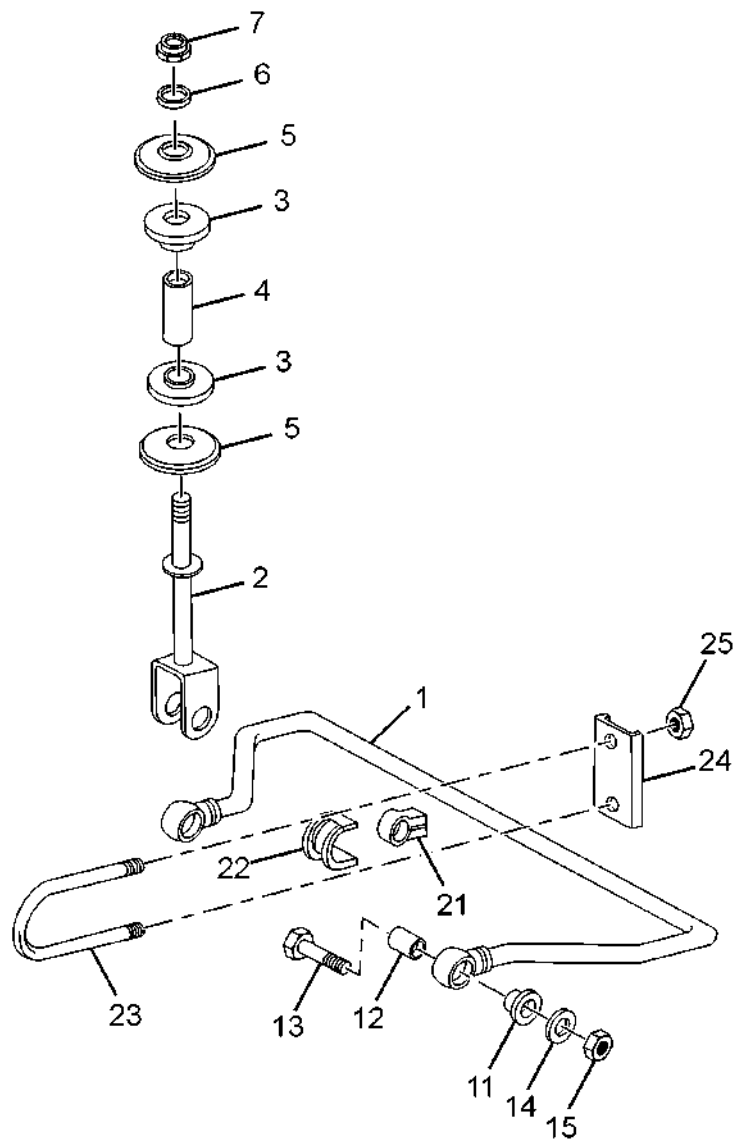
32.32.03A		REAR SPRING		GROUP 32
CHASSIS TYPE: ALL				
FIG. NO.	PART NUMBER	DESCRIPTION	QTY	REMARKS
1	264132400110	ASSY.REAR SPRING.(TWO STAGE)	2	
2	264132400111	ASSY.FIRST LEAF WITH BUSH.	2	
3	264032403401	BUSH	4	
4	264132407143	SECOND LEAF	2	
21	264431400101	ASSY. RUBBER BUFFER (R.A. STOPPER)	2	
22	264032400106	ASSY. SHACKLE WITH BUSH	2	
23	264032403401	BUSH	2	
24	264032406702	SPRING PIN (REAR)	4	
25	264032400104	ASSY. SEALING RING	12	
—	264032108202	LOCK PLATE	4	
27	257441109902	GREASE NIPPLE	4	
28	264132504205	U - CLAMP	2	
28	264132504206	U - CLAMP	2	
28	264432504203	U - CLAMP	4	
—	3123251070	SPHERICAL WASHER	8	
31	12052396067	HEX NUT M 16X1.5	16	
33	257432253706	GUIDE PLATE (REAR SPRING)	2	
-	264031400106	ASSY.RUBBER BUFFER.(FOR 41 WB) REAR AXLE	2	

CHASSIS TYPE: ALL



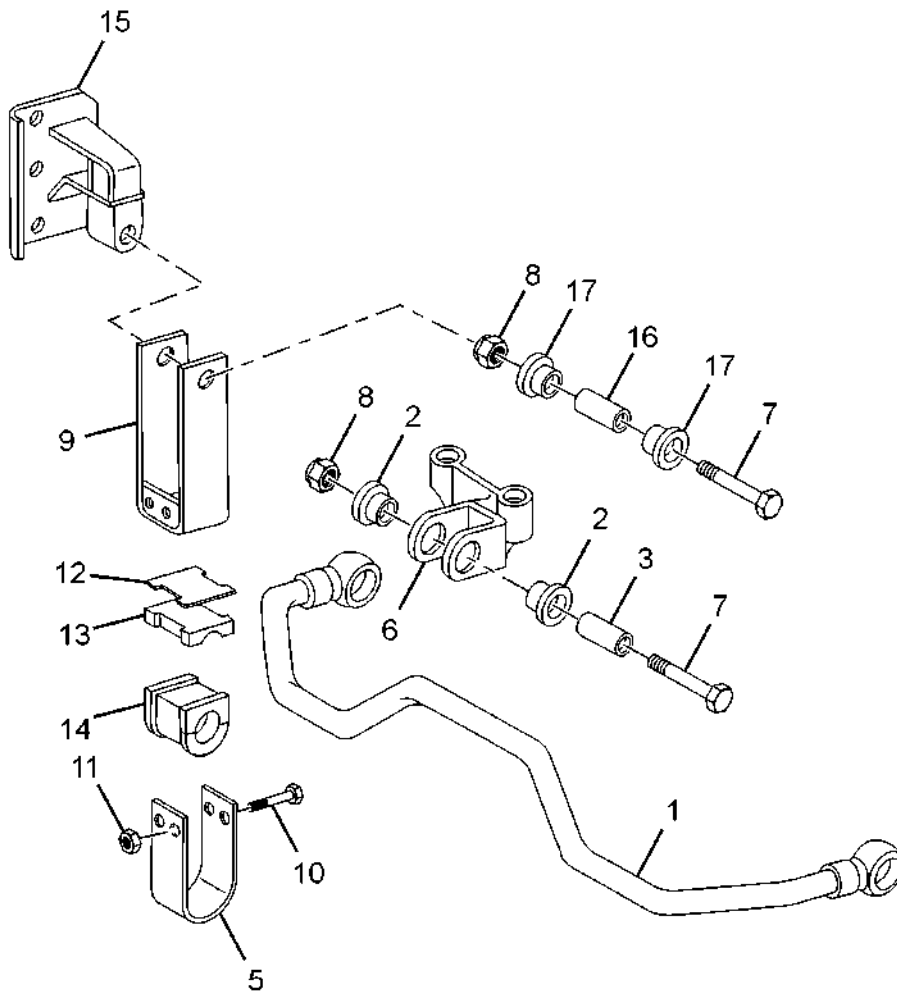
32.32.04		REAR SHOCK ABSORBER		GROUP 32
CHASSIS TYPE: ALL				
FIG. NO.	PART NUMBER	DESCRIPTION	QTY	REMARKS
1	264032600117	ASSY. REAR SHOCK ABSORBER	2	
2	3123231576	WASHER	4	
3	11063996167	HEX BOLT M 16X1.5X125	2	
4	12140601606	NYLOC NUT M 16X1.5	2	
5	11063996108	HEX BOLT M 14X1.5X70	2	
6	12140601401	NYLOC NUT M 14X1.5	2	

CHASSIS TYPE: 381226



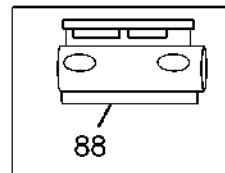
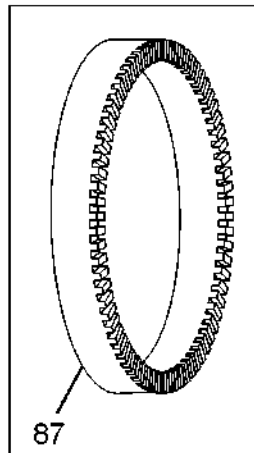
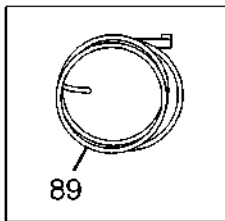
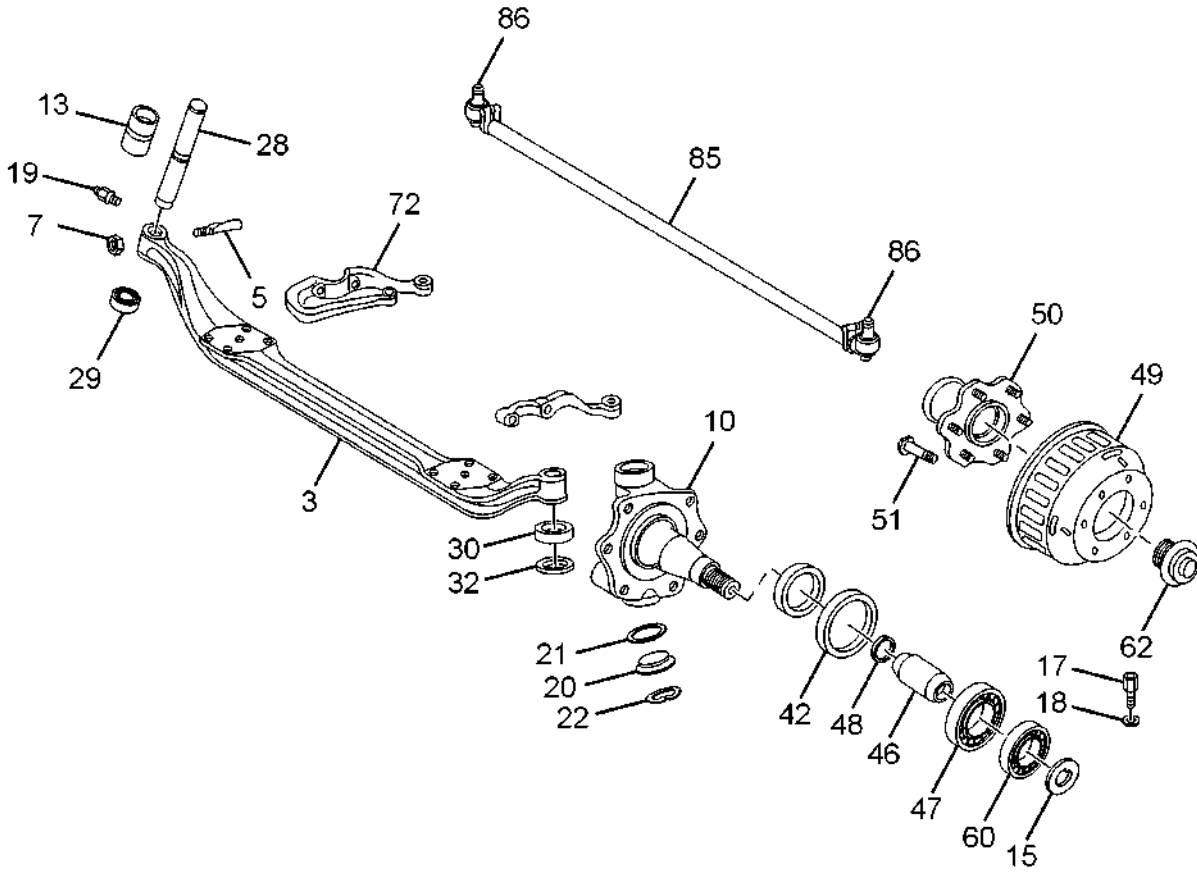
32.32.05		FRONT ANTI ROLL BAR		GROUP 32
CHASSIS TYPE: 381226				
FIG. NO.	PART NUMBER	DESCRIPTION	QTY	REMARKS
1	264032800105	ASSY. ANTI - ROLL BAR (FRONT)	1	
2	264132800104	ASSY. CONNECTING ROD	2	
3	265132807703	RUBBER BUFFER	4	
4	265132806902	SPACER TUBE	2	
5	265132808203	CUP	4	
6	12650601058	WASHER A 10.5	2	
7	12140501008	NYLOC NUT M 10	2	
11	259632807701	RUBBER BUSH	4	
12	259632806901	TUBE	2	
13	11063996108	HEX BOLT M 14X1.5X80	2	
14	12460501502	BRIGHT WASHER 15	2	
15	12140601401	NYLOC NUT M 14X1.5	2	
21	264032807701	BEARING BLOCK	2	
22	264132803801	CLAMP SUPPORT (FRONT ANTI - ROLL BAR)	2	
23	264132804201	'U' CLAMP (FRONT ARB. MTG.)	2	
24	264132807103	CLAMP PLATE (FRONT ARB. MTG.)	2	
25	12051696016	HEX NUT M 12X1.5	8	

CHASSIS TYPE: 381226



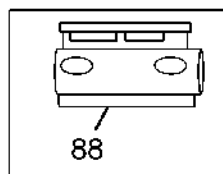
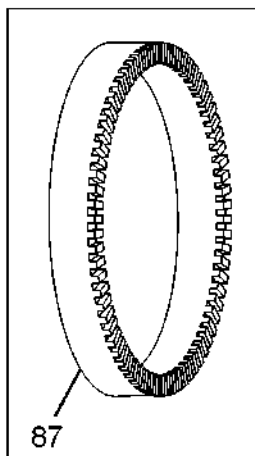
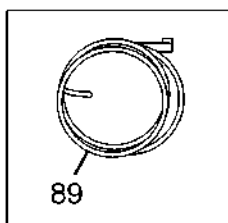
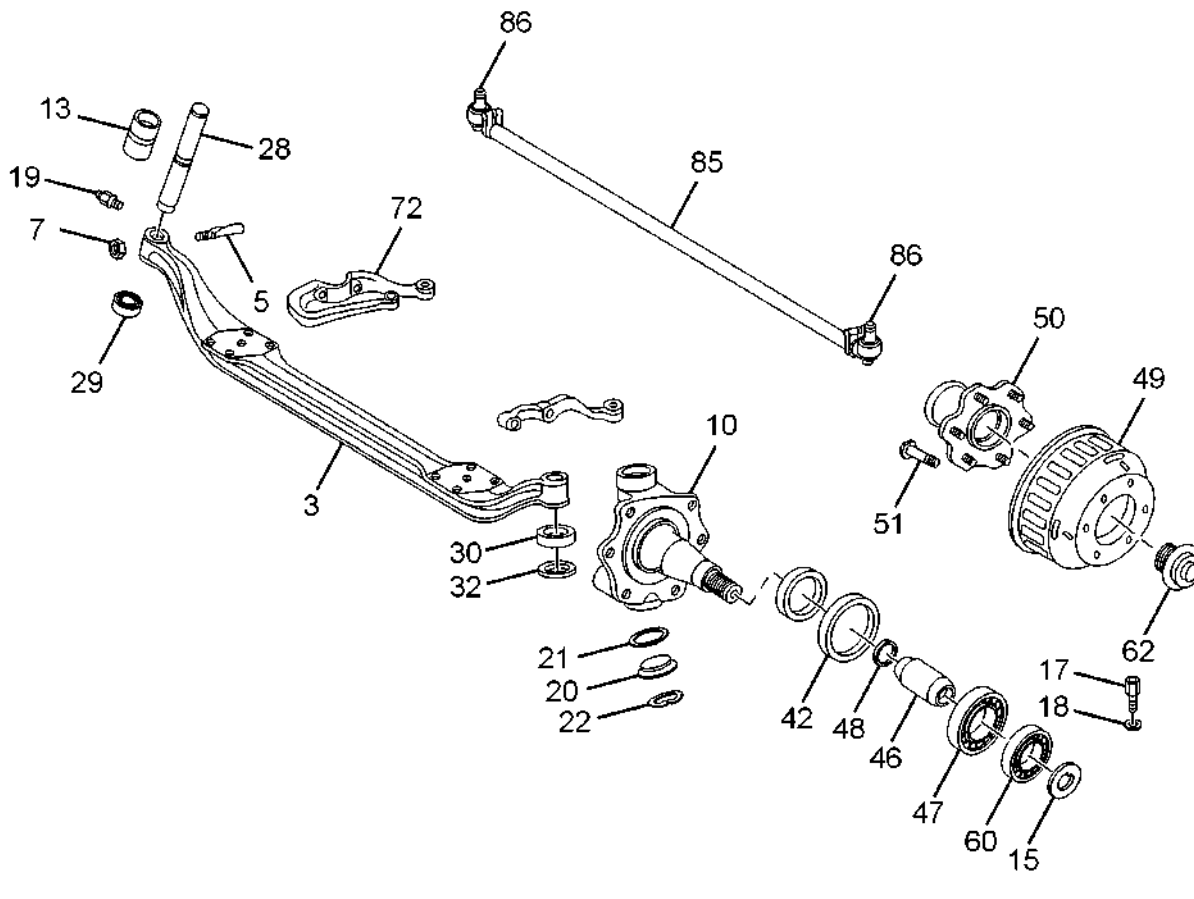
32.32.06		REAR ANTI ROLL BAR		GROUP 32	
CHASSIS TYPE: 381226					
FIG. NO.	PART NUMBER	DESCRIPTION	QTY	REMARKS	
1	264132900105	ASSY. ANTI - ROLL BAR REAR (CRIMPED TYPE)	1		
2	257632807501	RUBBER BUSH	4		
3	264032908401	SLEEVE	2		
—	257632807502	RUBBER BUSH	2		
5	264132900103	ASSY. CON. LINK (REAR ANTI - ROLL BAR)	2		
6	264032903301	BRACKET (RH)	1		
6	264032903302	BRACKET (LH)	1		
7	264032906702	MOUNTING PIN (TOP END)	2		
8	12140698014	NYLOC NUT M 20X1.5	2		
9	257632807103	CLAMP	2		
10	11063896251	HEX BOLT M 10X85	4		
11	12140501008	NYLOC NUT M 10	4		
12	257632808302	SHIM	AR	FOR SELECTION	
12	257632808303	SHIM	AR	FOR SELECTION	
12	257632808304	SHIM	AR	FOR SELECTION	
13	257132803402	BUSH HALF TOP	2		
14	257132803401	BUSH HALF BOTTOM	2		
15	264132900102	ASSY. BRACKET LH ,REAR (ARB)	1		
15	264132900101	ASSY. BRACKET RH ,REAR (ARB)	1		
16	257632808401	SLEEVE	2		
17	257632807501	RUBBER BUSH	4		

CHASSIS TYPE: ALL



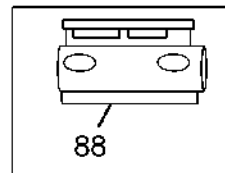
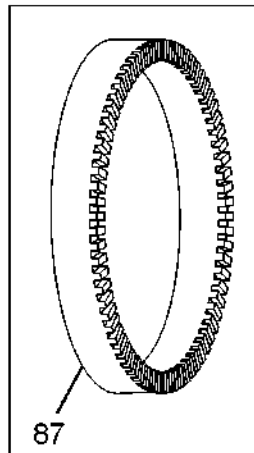
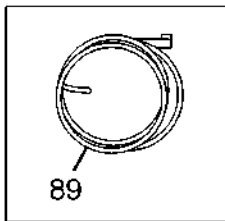
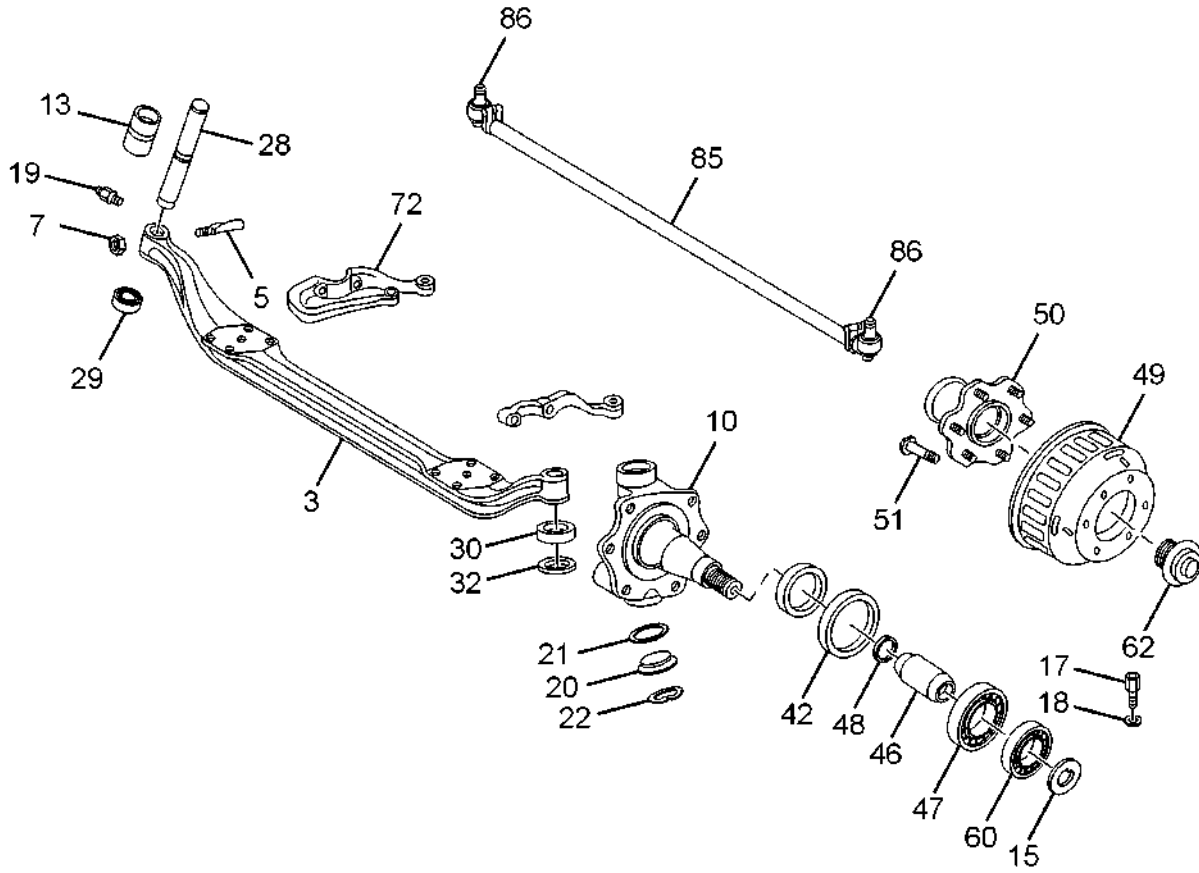
33.33.01		FRONT AXLE		GROUP 33
CHASSIS TYPE: ALL				
FIG. NO.	PART NUMBER	DESCRIPTION	QTY	REMARKS
1	264333000107	ASSY. FRONT AXLE WITH BRAKES (ABS)	1	
3	264133105107	FRONT AXLE BEAM (STD)	1	
5	264033206711	COTTER PIN	2	
7	12051596011	HEX NUT M 12	2	
10	264333200106	ASSY. STUB AXLE RH WITH BUSH STD	2	
10	264333200107	ASSY. STUB AXLE LH WITH BUSH STD	2	
—	264342103401	SENSOR SLEEVE -FRONT	2	
—	264033408601	SEAL RACE (STUB AXLE)	2	
13	264033203402	STEERING BUSH	4	
15	265133409204	THRUST WASHER	2	
—	265133205117	SPLIT NUT	2	
17	11411410252	CAP SCREW M 10X25	2	
18	264133409202	WASHER	2	
—	257533206301	DUST CAP, STUB AXLE	2	
19	17170600801	GREASE NIPPLE AM 8X1	2	
20	282133408202	KING PIN CAP	2	
21	282133407701	SEALING RING	4	
22	14580604006	INTERNAL CIRCLIP 40X1.75 N	4	
28	264033206707	KING PIN (STD)	2	
29	264033403108	THRUST BEARING (STD) RH SIDE	1	
30	264133403109	ASSY THRUST PAD (NORMAL)	1	
32	264033208302	SHIM 0.8 MM THICK	AR	FOR SELECTION
32	264033208303	SHIM 0.9 MM THICK	AR	FOR SELECTION
32	264033208304	SHIM 1.0 MM THICK	AR	FOR SELECTION
32	264033208305	SHIM 1.1 MM THICK	AR	FOR SELECTION
32	264033208306	SHIM 1.2 MM THICK	AR	FOR SELECTION
32	264033208307	SHIM 1.3 MM THICK	AR	FOR SELECTION
32	264033208308	SHIM 1.4 MM THICK	AR	FOR SELECTION
32	264033208309	SHIM 1.5 MM THICK	AR	FOR SELECTION
32	264033208310	SHIM 1.6 MM THICK	AR	FOR SELECTION
32	264033208311	SHIM 1.7 MM THICK	AR	FOR SELECTION
42	265133407804	OIL SEAL	2	
46	264133209901	SPACER (BETWEEN BEARINGS)	2	
47	265135603101	TAPER ROLLER BEARING	2	
48	265133208630	SHIM	AR	FOR SELECTION
48	265133208631	SHIM	AR	FOR SELECTION
48	265133208632	SHIM	AR	FOR SELECTION
48	265133208633	SHIM	AR	FOR SELECTION

CHASSIS TYPE: ALL



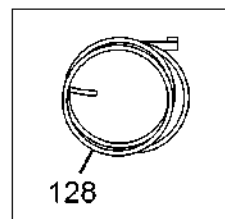
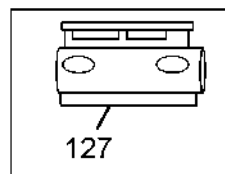
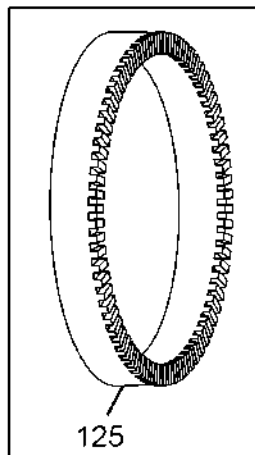
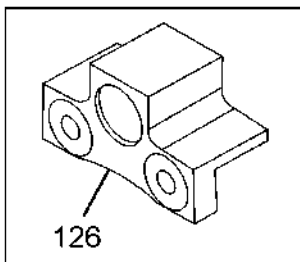
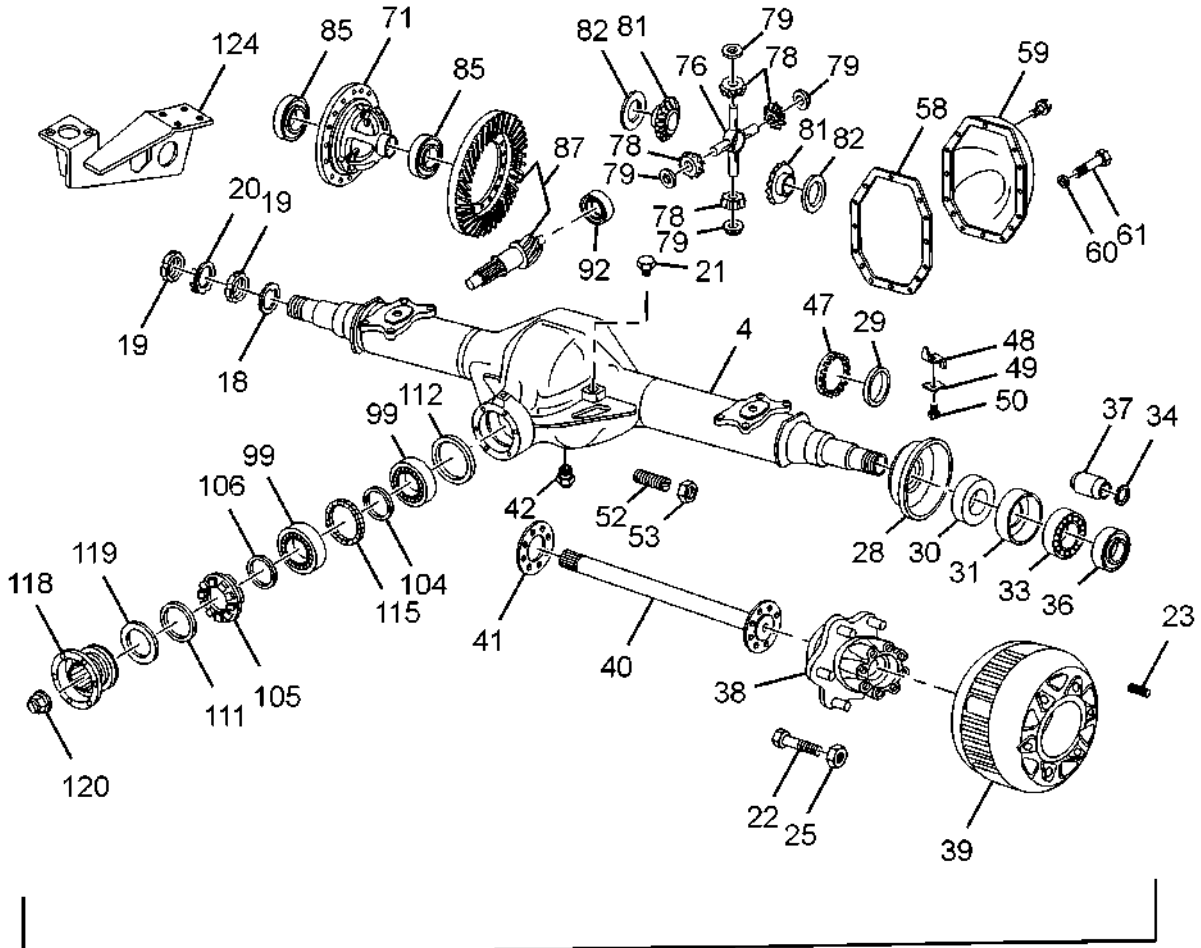
33.33.01		FRONT AXLE		GROUP 33
CHASSIS TYPE: ALL				
FIG. NO.	PART NUMBER	DESCRIPTION	QTY	REMARKS
48	265133208634	SHIM	AR	FOR SELECTION
48	265133208635	SHIM	AR	FOR SELECTION
48	265133208636	SHIM	AR	FOR SELECTION
48	265133208637	SHIM	AR	FOR SELECTION
48	265133208638	SHIM	AR	FOR SELECTION
48	265133208639	SHIM	AR	FOR SELECTION
49	264142103709	CASTILATED BRAKE DRUM(709 VEHICLES)	2	
50	264333403702	FRONT HUB(SLOTTED)	2	
51	264140106703	HUB PIN REAR (S-CAM)	12	
60	0009819605	TAPER ROLLER BEARING	2	OPTIONAL
60	264133403101	TAPER ROLLER BEARING	2	OPTIONAL
62	264133403704	HUB COVER FRONT	2	
72	282133805105	STEERING ARM RH	1	
85	264133200121	ASSY. TIE ROD	1	
86	264133200135	ASSY.BALL JOINT L.H (FOR M/S TALBROS TIE ROD)	1	
86	264133200136	ASSY.BALL JOINT R.H (FOR M/S TALBROS TIE ROD)	1	
86	264133200133	ASSY.BALL JOINT (FOR M/S RANE TIE ROD)	1	
87	264342109902	POLE WHEEL - FRONT	2	
88	263242103403	SENSOR BUSH -ABS	2	
89	264354209929	SENSOR -'L TYPE' (WHEEL SPEED) .	2	
-	885433190709	KING PIN KIT STD COMPRISES OF :	1	FOR SELECTION
-	-	KING PIN (30.00)	2	
-	-	BUSH	4	
-	-	SEALING CAP	4	
-	-	'O' RING	2	
-	-	COTTER PIN	2	
-	-	CIRCLIP	4	
-	-	HEX. NUT	2	
-	-	SPRING WASHER	2	
-	-	GREASE NIPPLE	4	
-	885433010709	KING PIN M KIT RS I COMPRISES OF :	1	FOR SELECTION
-	-	KING PIN (30.10)	2	
-	-	BUSH	4	
-	-	SEALING CAP	4	
-	-	'O' RING	2	
-	-	COTTER PIN	2	
-	-	CIRCLIP	4	
-	-	HEX. NUT	2	

CHASSIS TYPE: ALL



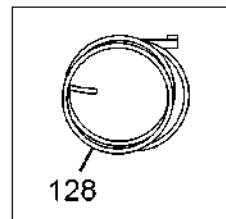
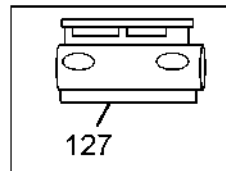
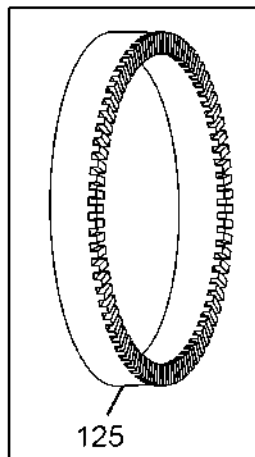
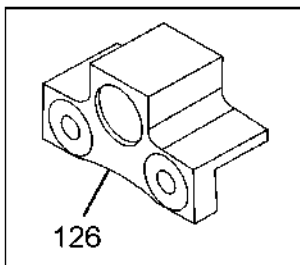
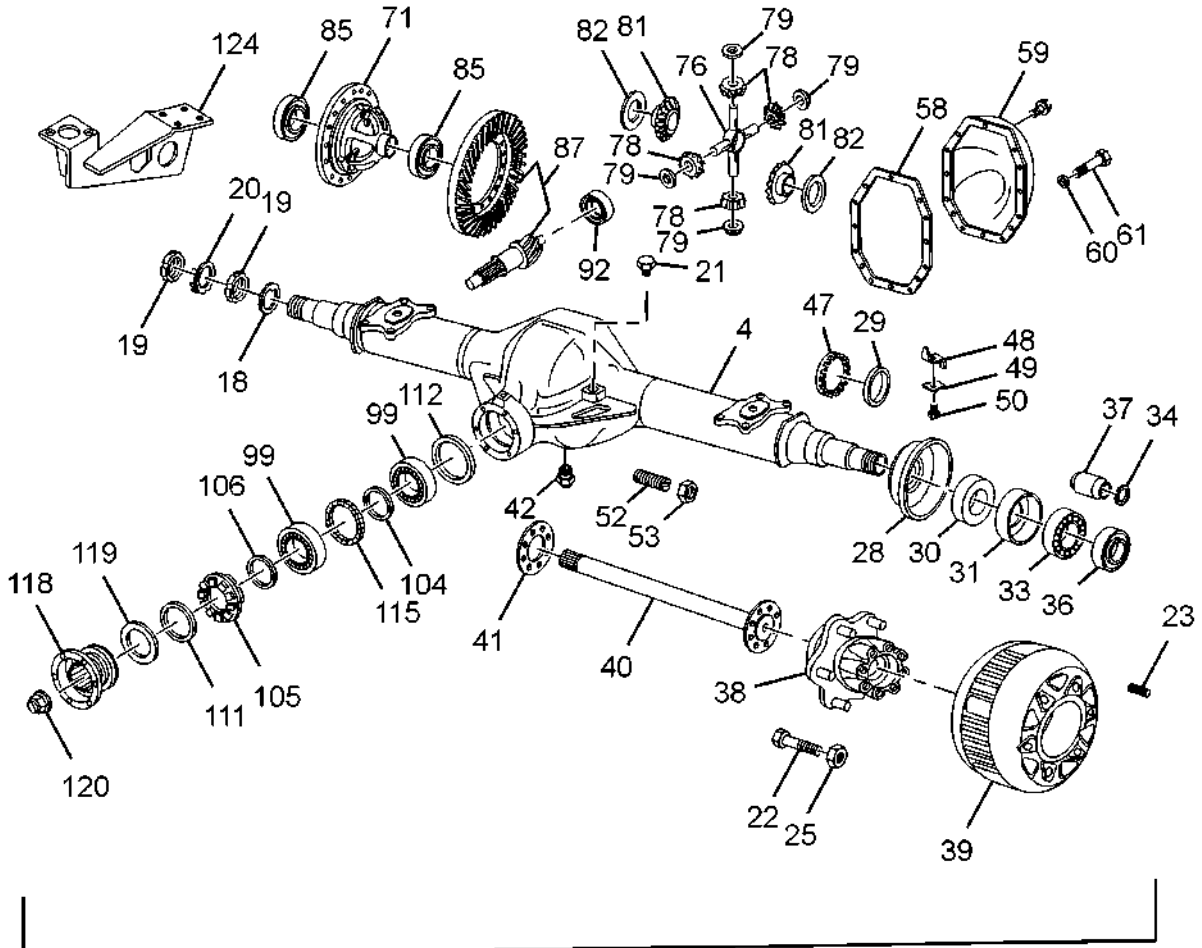
33.33.01		FRONT AXLE		GROUP 33	
CHASSIS TYPE: ALL					
FIG. NO.	PART NUMBER	DESCRIPTION	QTY	REMARKS	
-	-	SPRING WASHER	2	FOR SELECTION	
-	-	GREASE NIPPLE	4		
-	885433020709	KING PIN M KIT RS II COMPRISES OF :	1		
-	-	KING PIN (30.20)	2		
-	-	BUSH	4		
-	-	SEALING CAP	4		
-	-	'O' RING	2		
-	-	COTTER PIN	2		
-	-	CIRCLIP	4		
-	-	HEX. NUT	2		
-	-	SPRING WASHER	2		
-	-	GREASE NIPPLE	4		
-	885433030709	KING PIN M KIT RS III COMPRISES OF :	1		FOR SELECTION
-	-	KING PIN (30.30)	2		
-	-	BUSH	4		
-	-	SEALING CAP	4		
-	-	'O' RING	2		
-	-	COTTER PIN	2		
-	-	CIRCLIP	4		
-	-	HEX. NUT	2		
-	-	SPRING WASHER	2		
-	-	GREASE NIPPLE	4		

CHASSIS TYPE: ALL



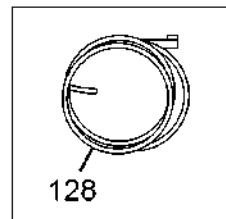
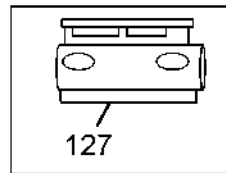
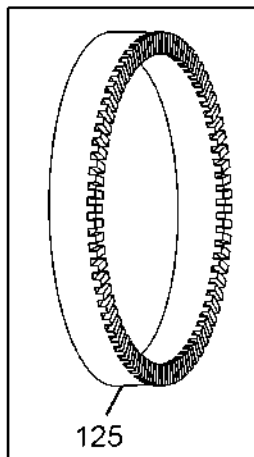
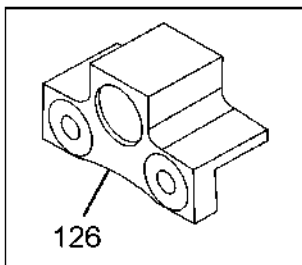
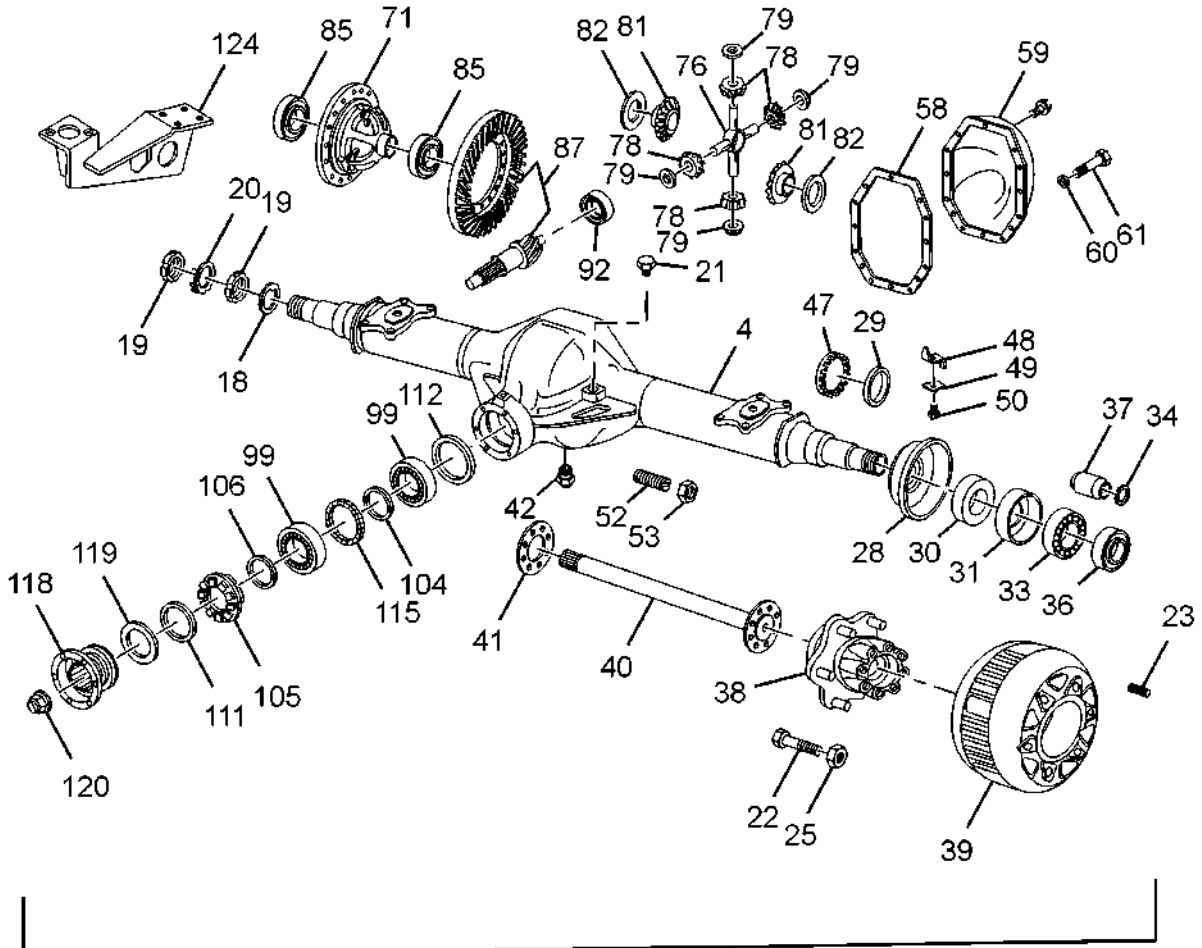
35.35.01		REAR AXLE		GROUP 35	
CHASSIS TYPE: ALL					
FIG. NO.	PART NUMBER	DESCRIPTION	QTY	REMARKS	
1	266135000140	ASSY. REAR AXLE COMPLETE WITH BRAKE (28/9 CWP RATIO) WITH ABS	1		
4	266135100139	ASSY. REAR AXLE HOUSING WITH SUPPORTING TUBES, WITH ABS	1		
-	266135108202	OIL SLINGER	2		
18	261235608601	SPACER	2		
19	261235606501	LOCKING RING	4		
20	261235608202	LOCKING PLATE	2		
21	257433150102	ASSY. BREATHER	1		
22	282140106701	HUB PIN REAR	12		
23	266535608801	STUD M16	16		
25	12302696029	HEX NUT M12X1.5	12		
28	266135608201	OIL CATCHER, (FOR ABS)	2		
29	266135108602	PRESSURE RING	2		
30	0009976747	OIL SEAL, HUB OUTER (SINGLE LIP)	2	OPTIONAL	
30	266135607701	OIL SEAL, HUB INNER (DOUBLE LIP)	2	OPTIONAL	
—	14580611002	INTERNAL CIRCLIP 110X4	2		
31	266135608601	SPACER	2		
33	257535603110	TAPER ROLLER BEARING, INNER	2		
36	261235603102	TAPER ROLLER BEARING, OUTER	2		
37	266135608602	SPACER TUBE	2		
34	266135608301	SHIM-0.05 THK.	AR	FOR SELECTION	
34	266135608302	SHIM-0.10 THK.	AR	FOR SELECTION	
34	266135608303	SHIM-0.15 THK.	AR	FOR SELECTION	
34	266135608304	SHIM-0.20 THK.	AR	FOR SELECTION	
34	266135608305	SHIM-0.25 THK.	AR	FOR SELECTION	
34	266135608306	SHIM-0.30 THK.	AR	FOR SELECTION	
34	266135608307	SHIM-0.50 THK.	AR	FOR SELECTION	
34	266135608308	SHIM-1.00 THK.	AR	FOR SELECTION	
34	266135608309	SHIM-1.50 THK.	AR	FOR SELECTION	
34	266135608310	SHIM-2.5 THK.	AR	FOR SELECTION	
38	266135603710	REAR HUB (RAS-104 WITH 'S' CAM)	2		
39	264142103709	CASTILATED BRAKE DRUM(709 VEHICLES)	2		
40	266135707902	REAR AXLE SHAFT	2		
41	266135605302	GASKET (FOR BRAKE DRUM WITH HUB)	2		
42	266335107201	MAGNETIC DRAIN PLUG	1		
—	261235308201	LOCKING PLATE	2		
47	266135306501	THREADED RING (DIFFERENTIAL)	2		
48	3129941201	LOCKING PLATE	2		

CHASSIS TYPE: ALL



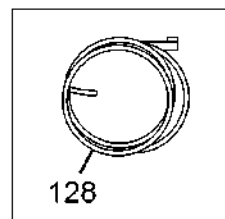
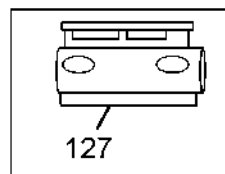
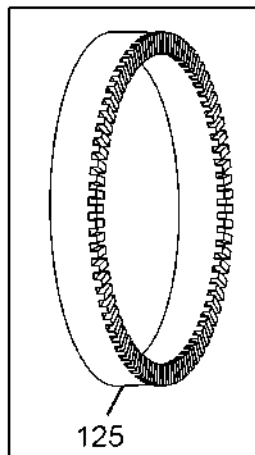
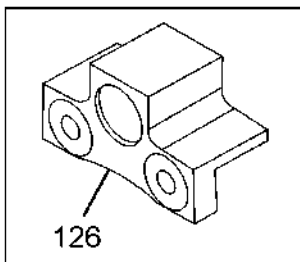
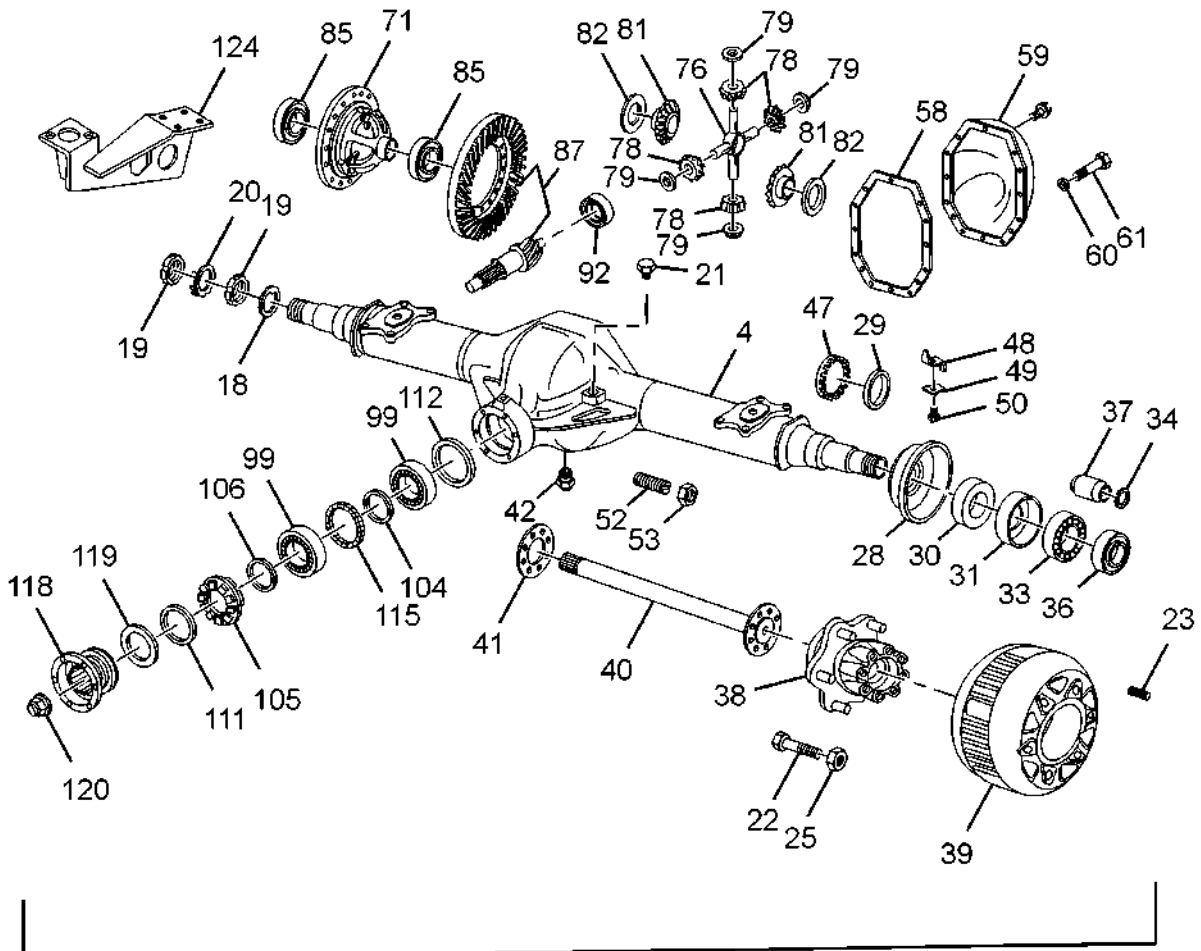
35.35.01		REAR AXLE		GROUP 35	
CHASSIS TYPE: ALL					
FIG. NO.	PART NUMBER	DESCRIPTION	QTY	REMARKS	
49	261235608202	LOCKING PLATE	2		
50	11323996191	HEX. SCREW M 8X12	2		
52	261235300103	ADJUSTING PIN	1		
53	12080901800	HEX. THIN NUT M 18X1.5	1		
58	266135105301	GASKET (BETWEEN R.A. HOUSING & REAR COVER)	1		
59	266135100105	ASSY. COVER REAR AXLE HOUSING	1		
60	12520698050	SPRING WASHER B 10	12		
61	11323998185	HEX. SCREW M 10X18	12		
71	266135300121	DIFFERENTIAL HOUSING ASSY.	1		
—	266135306101	LOCKING PLATE (DIFFERENTIAL CASE)	8		
—	266135308004	HEX. SCREW	16		
76	266135305103	DIFFERENTIAL SPIDER	1	SERVICED SET	
78	266135305419	DIFFERENTIAL BEVEL PINION	4	SERVICED SET	
79	266135309210	SPHERICAL WASHER (STEEL)	4		
81	266135305420	REAR AXLE SHAFT GEAR	2	SERVICED SET	
82	266135309202	THRUST WASHER, SHAFT GEAR 1.95 MM	2	FOR SELECTION	
82	266135309203	THRUST WASHER, SHAFT GEAR 2.00 MM	2	FOR SELECTION	
82	266135309204	THRUST WASHER, SHAFT GEAR 2.05 MM	2	FOR SELECTION	
82	266135309205	THRUST WASHER, SHAFT GEAR 2.10 MM	2	FOR SELECTION	
82	266135309206	THRUST WASHER, SHAFT GEAR 2.15 MM	2	FOR SELECTION	
82	266135309207	THRUST WASHER, SHAFT GEAR 2.20 MM	2	FOR SELECTION	
82	266135309208	THRUST WASHER, SHAFT GEAR 2.25 MM	2	FOR SELECTION	
85	261235303101	TAPER ROLLER BEARING (55X100X26.75)	2		
87	266135300119	SET CROWN WHEEL AND PINION (31/8 RATIO)	1		
92	266135303116	CYLINDRICAL ROLLER BRG. (PINION NOSE)	1		
99	266135303105	TAPER ROLLER BRG. (TAIL PINION)	2		
104	266135308632	SPACER (BETWEEN TAIL PINION BRGS.)	1		
105	266135306501	THREADED RING	2		

CHASSIS TYPE: ALL



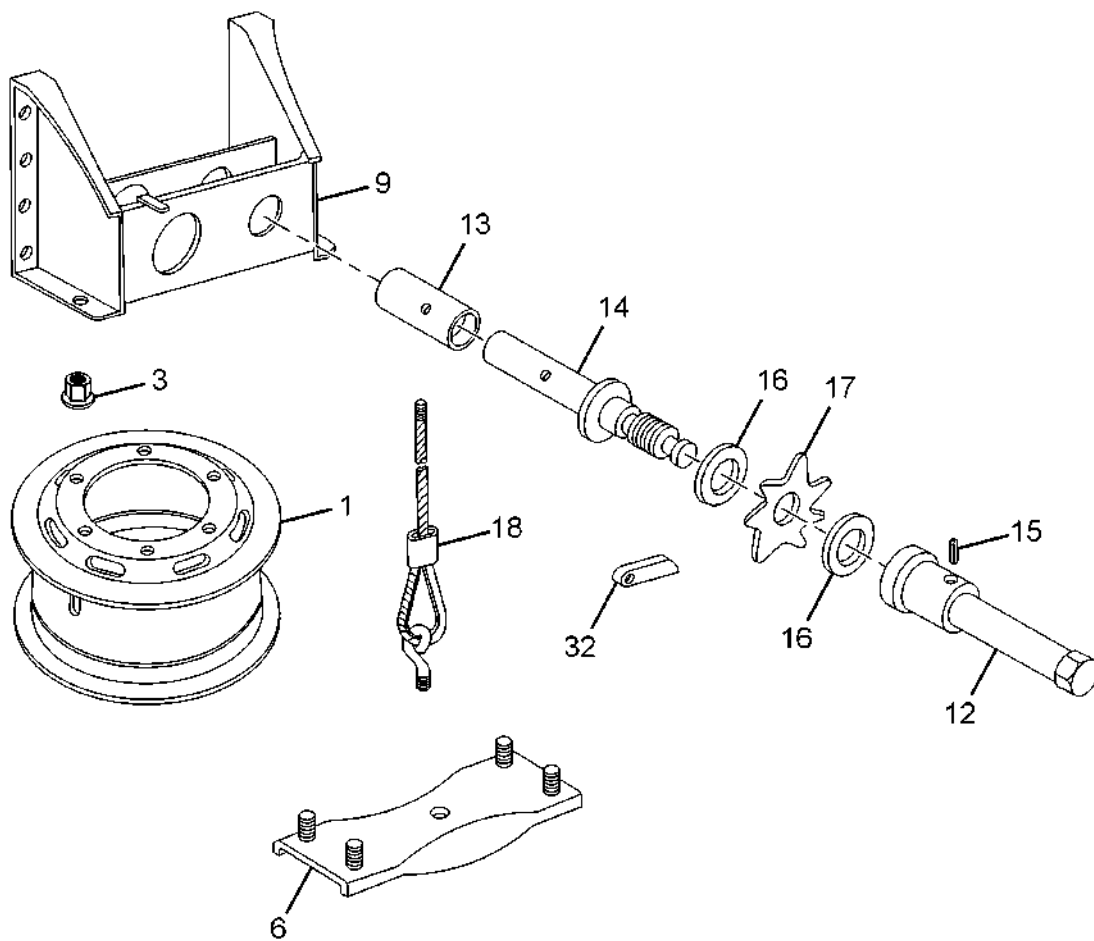
35.35.01		REAR AXLE		GROUP 35	
CHASSIS TYPE: ALL					
FIG. NO.	PART NUMBER	DESCRIPTION	QTY	REMARKS	
106	266135308668	SPACER (BETWEEN BRG. AND FLANGE)	1		
111	266135307702	OIL SEAL TAIL PINION	1		
112	266135308303	SHIM 0.15 THICK	AR	FOR SELECTION	
112	266135308304	SHIM 0.20 THICK	AR	FOR SELECTION	
112	266135308305	SHIM 0.25 THICK	AR	FOR SELECTION	
112	266135308306	SHIM 0.30 THICK	AR	FOR SELECTION	
112	266135308307	SHIM 0.45 THICK	AR	FOR SELECTION	
112	266135308308	SHIM 0.50 THICK	AR	FOR SELECTION	
112	266135308309	SHIM 1.0 THICK	AR	FOR SELECTION	
112	266135308310	SHIM 1.5 THICK	AR	FOR SELECTION	
115	266135308637	SPACER RING, TAIL PINION 7.64 THICK	1	FOR SELECTION	
115	266135308638	SPACER RING, TAIL PINION 7.66 THICK	1	FOR SELECTION	
115	266135308639	SPACER RING, TAIL PINION 7.68 THICK	1	FOR SELECTION	
115	266135308641	SPACER RING, TAIL PINION 7.72 THICK	1	FOR SELECTION	
115	266135308642	SPACER RING, TAIL PINION 7.74 THICK	1	FOR SELECTION	
115	266135308644	SPACER RING, TAIL PINION 7.78 THICK	1	FOR SELECTION	
115	266135308646	SPACER RING, TAIL PINION 7.82 THICK	1	FOR SELECTION	
115	266135308647	SPACER RING, TAIL PINION 7.84 THICK	1	FOR SELECTION	
115	266135308648	SPACER RING, TAIL PINION 7.86 THICK	1	FOR SELECTION	
115	266135308649	SPACER RING, TAIL PINION 7.88 THICK	1	FOR SELECTION	
115	266135308650	SPACER RING, TAIL PINION 7.90 THICK	1	FOR SELECTION	
115	266135308651	SPACER RING, TAIL PINION 7.92 THICK	1	FOR SELECTION	
115	266135308652	SPACER RING, TAIL PINION 7.94 THICK	1	FOR SELECTION	
115	266135308653	SPACER RING, TAIL PINION 7.96 THICK	1	FOR SELECTION	
115	266135308654	SPACER RING, TAIL PINION 7.98 THICK	1	FOR SELECTION	
115	266135308655	SPACER RING, TAIL PINION 8.00 THICK	1	FOR SELECTION	

CHASSIS TYPE: ALL



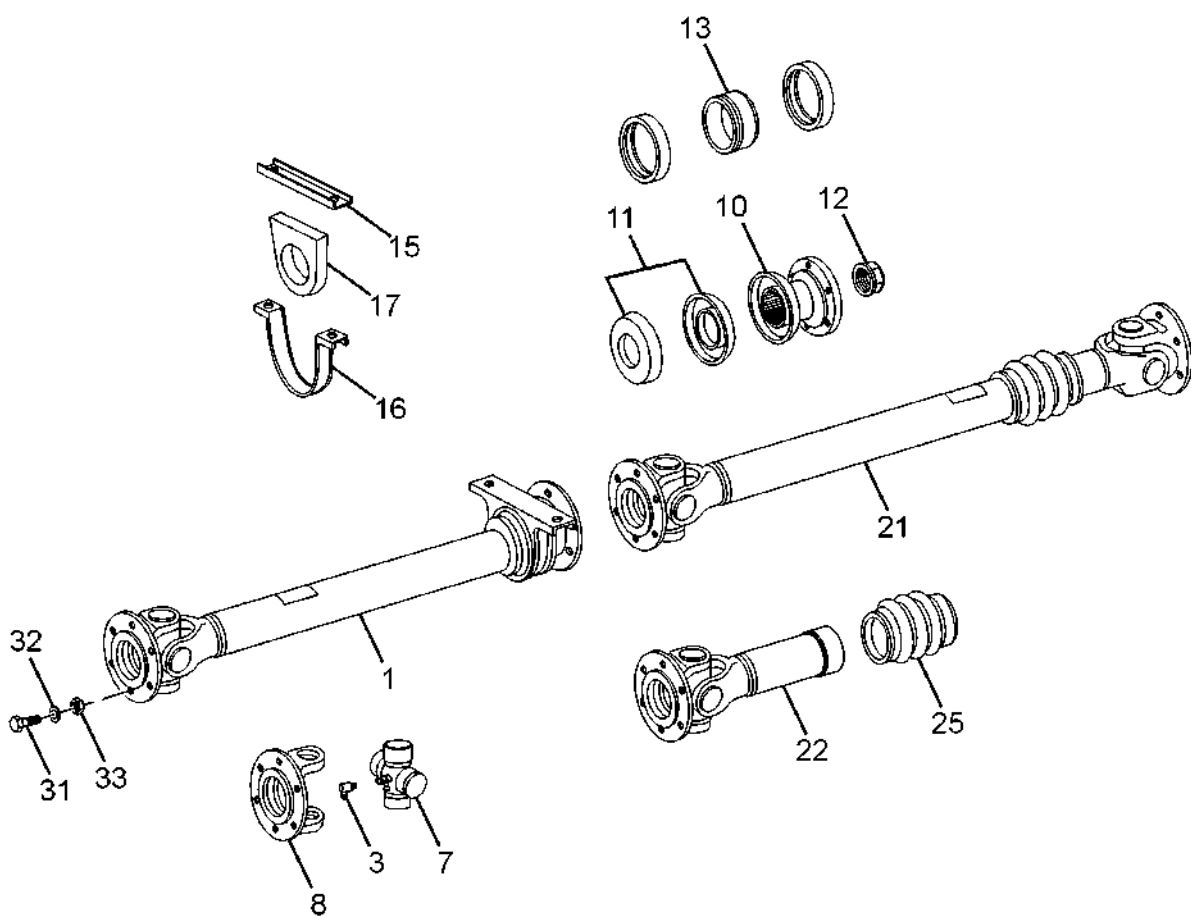
35.35.01		REAR AXLE		GROUP 35	
CHASSIS TYPE: ALL					
FIG. NO.	PART NUMBER	DESCRIPTION	QTY	REMARKS	
115	266135308656	SPACER RING, TAIL PINION 8.02 THICK	1	FOR SELECTION	
115	266135308657	SPACER RING, TAIL PINION 8.04 THICK	1	FOR SELECTION	
115	266135308658	SPACER RING, TAIL PINION 8.06 THICK	1	FOR SELECTION	
115	266135308659	SPACER RING, TAIL PINION 8.08 THICK	1	FOR SELECTION	
115	266135308660	SPACER RING, TAIL PINION 8.10 THICK	1	FOR SELECTION	
115	266135308663	SPACER RING, TAIL PINION 8.12 THICK	1	FOR SELECTION	
115	266135308664	SPACER RING, TAIL PINION 8.14 THICK	1	FOR SELECTION	
115	266135308665	SPACER RING, TAIL PINION 8.16 THICK	1	FOR SELECTION	
115	266135308666	SPACER RING, TAIL PINION 8.18 THICK	1	FOR SELECTION	
115	266135308667	SPACER RING, TAIL PINION 8.20 THICK	1	FOR SELECTION	
118	266135305001	COUPLING FLANGE	1		
119	266135308203	DUST COVER	1		
—	266135307801	DUST SEAL	1		
120	266135306504	HEX. NUT (TAIL PINION COUPLING FLANGE)	1		
124	264142310126	ASSY. BRAKE CHAMBER MOUNTING BRACKET RH	1		
124	264142310130	ASSY. BRAKE CHAMBER MOUNTING BRACKET LH	1		
125	264342309901	POLE WHEEL REAR	2		
126	264342303302	SENSOR MTG. BRACKET (REAR) - ABS	1		
127	263242103403	SENSOR BUSH -ABS	1		
128	264354209929	SENSOR -`L TYPE' (WHEEL SPEED)	1		
	266135300125	DIFFERENTIAL GEAR AND SPIDER KIT CONSISTS OF:	1		
81	-	GEAR R.A SHAFT	2		
78	-	BEVEL GEAR	4		
76	-	DIFFERENTIAL SPIDER	1		

CHASSIS TYPE: ALL



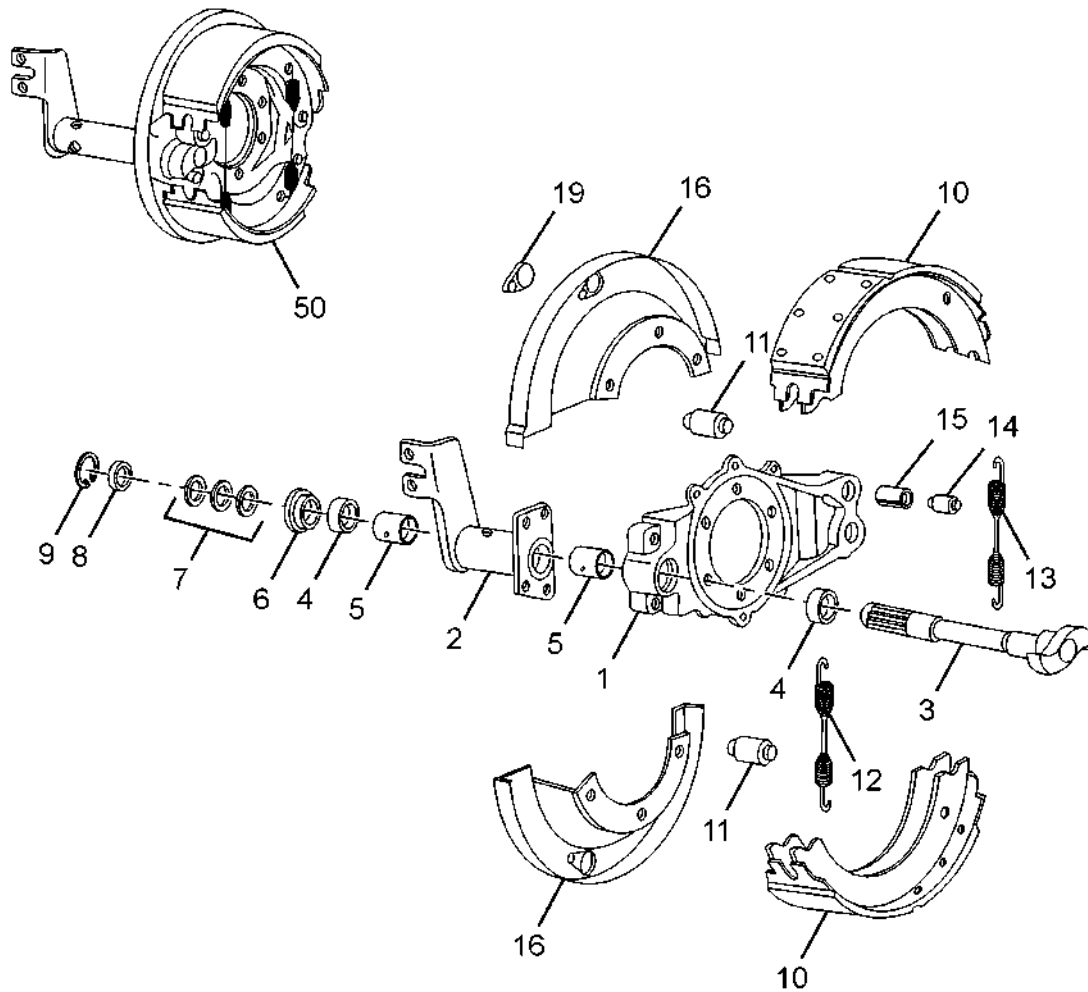
40.40.01		SPARE WHEEL CARRIER		GROUP 40
CHASSIS TYPE: ALL				
FIG. NO.	PART NUMBER	DESCRIPTION	QTY	REMARKS
1	264040100102	ASSY. WHEEL RIM WITH DISC (6X16)	6	
—	265140100002	LOCKING RING	6	
3	264040100101	ASSY. WHEEL NUT	24	
—	264140300106	ASSY. SPARE WHEEL CARRIER	1	
6	264140300104	ASSY. BRACKET	1	
9	264140300105	ASSY. BRACKET (SPARE WHEEL MTG.)	1	
12	264140300102	ASSY. HANDLE	1	
13	265140308401	SLEEVE	1	
14	265140300115	ASSY. SHAFT	1	
15	13102104247	GROOVED PIN 4X24	1	
—	14150504504	DISC SPRING A 45	1	
16	257340306301	FRICITION PAD	2	
17	257640307108	RATCHET WHEEL	1	
18	265140300116	ASSY. WIRE ROPE	1	
32	257640307109	RATCHET ARM	1	

CHASSIS TYPE: ALL



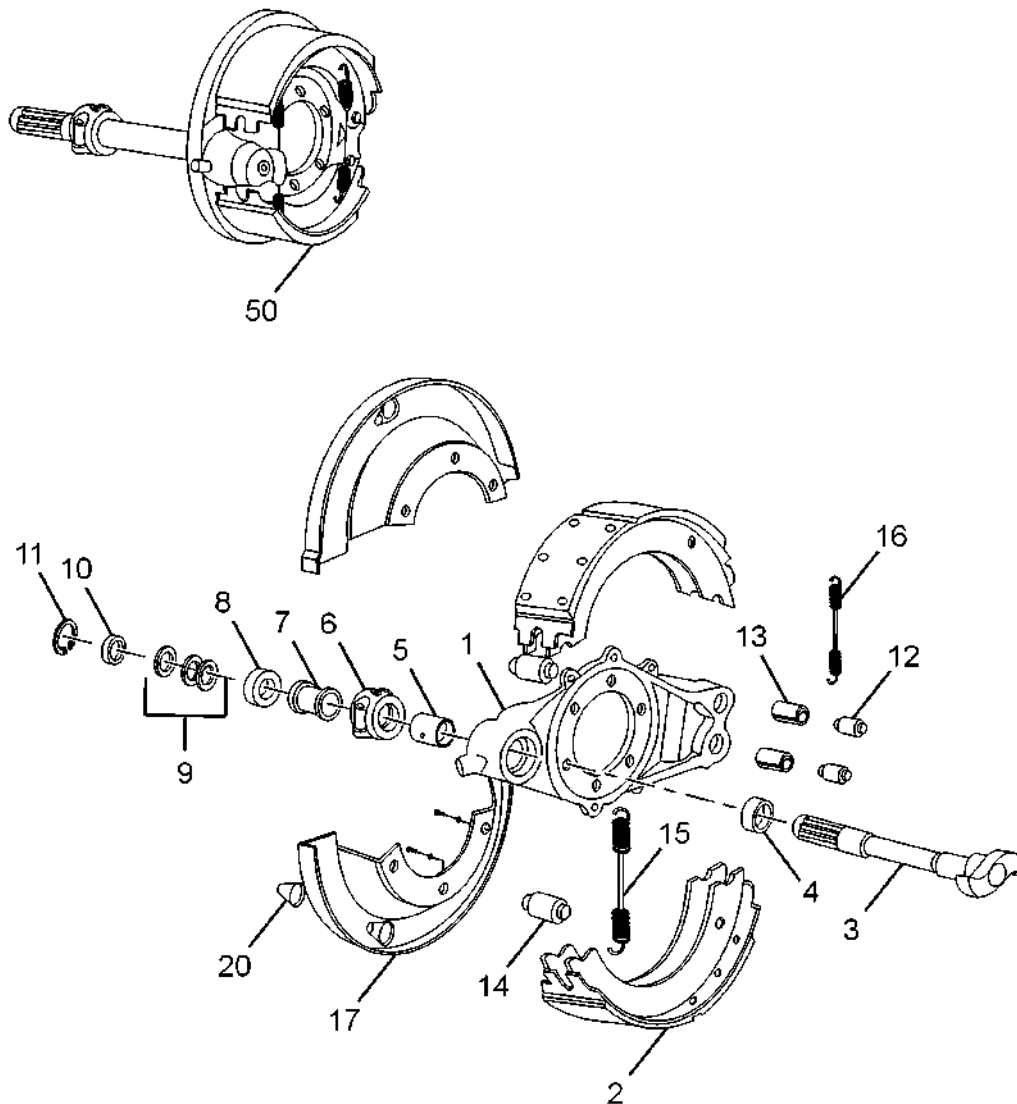
41.41.01		PROPELLER SHAFT		GROUP 41	
CHASSIS TYPE: ALL					
FIG. NO.	PART NUMBER	DESCRIPTION	QTY	REMARKS	
		PROPELLER SHAFT (FRONT)			
1	264141110105	ASSY. PROPELLER SHAFT WITH CENTRE BEARING (FRT)	1		
3	17172001009	GREASE NIPPLE AM 10X1	1		
7	265141100128	CROSS REPAIR KIT	1		
8	3124111111	UNIVERSAL JOINT FLANGE	1		
10	257341300114	ASSY. COUPLING FLANGE - WITH PROTECTIVE COVER	1		
11	257341308209	PROTECTIVE CAP	2		
12	0424110072J	HEX NUT	1		
13	257341300118	ASSY. CENTRE BEARING	1		
—	257341308216	DUST SEAL RETAINER	2		
—	257441303101	SRDG. BRG. 40 BC02/80X18/6208	1		
—	0009972247	PACKING RING	2		
15	257341304202	CLAMP	1		
16	257341303307	BRACKET	1		
17	257341307505	RUBBER HOUSING	1		
		PROPELLER SHAFT (REAR)			
21	264141120107	ASSY. PROPELLER SHAFT REAR	1		
22	257341120109	ASSY. U.J. LONG FORK COMPLETE	1		
8	3124111111	U.J. FLANGE	1		
7	265141100128	CROSS REPAIR KIT	1		
25	3284110097	PROTECTIVE CAP	1		
—	3284110051	RING	2		
—	14280500802	HOSE CLAMP 80	1		
—	14280500705	HOSE CLAMP 70	1		
31	257641113201	BOLT	18		
32	250526406101	LOCKING PLATE	9		
33	12051901001	HEX NUT M 10X1	18		
		REPAIR KIT			
7	265141100128	CROSS REPAIR KIT CONSISTING OF :	1		
—	-	CROSS	1		LOOSE NOT SERVICED
—	-	ASSY. BEARING CUP	4		LOOSE NOT SERVICED
—	-	CLOSING RING	4		LOOSE NOT SERVICED
—	-	GREASE NIPPLE	1		LOOSE NOT SERVICED
—	-	HEX THIN NUT M 8X1	1		LOOSE NOT SERVICED

CHASSIS TYPE: ALL



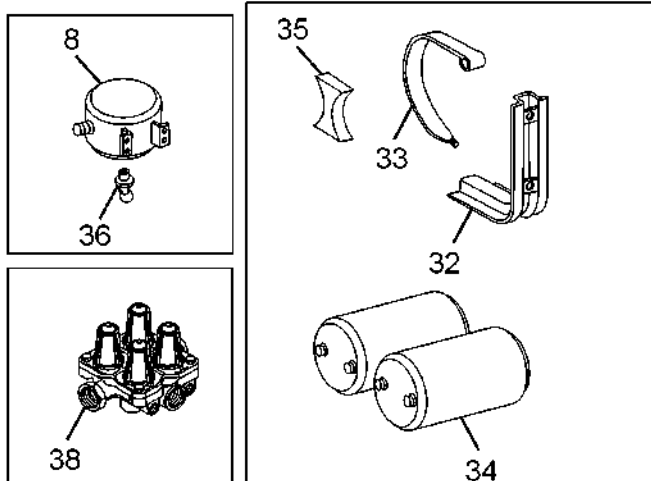
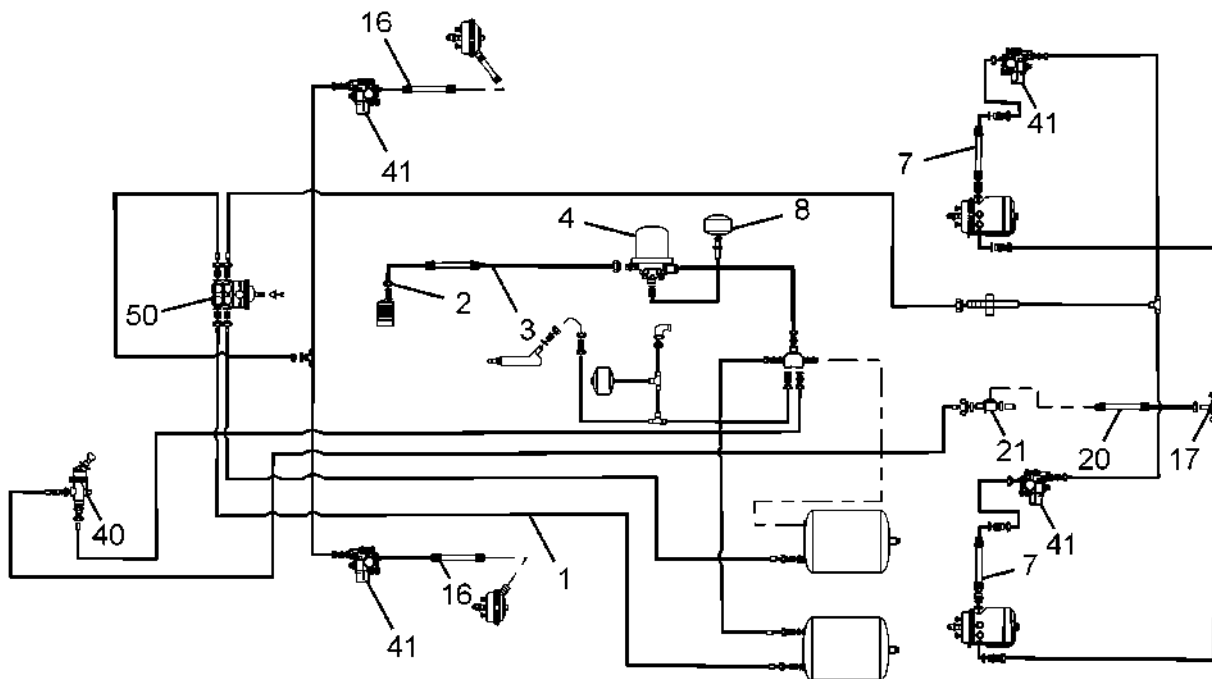
42.42.01		FRONT WHEEL BRAKE (S-CAM) (ABS)		GROUP 42
CHASSIS TYPE: ALL				
FIG. NO.	PART NUMBER	DESCRIPTION	QTY	REMARKS
50	264342100124	ASSY. FRONT BRAKE RH	1	
50	264342100122	ASSY. FRONT BRAKE LH	1	
1	264342103702	TORQUE PLATE LH	1	
1	264342103703	TORQUE PLATE RH	1	
2	264142100170	ASSY. CHAMBER MTG. BRACKET LH	1	
2	264142100171	ASSY. CHAMBER MTG. BRACKET RH	1	
3	264142105104	CAM SHAFT LH	1	
3	264142105105	CAM SHAFT RH	1	
4	264142107703	OIL SEAL	4	
5	264142103404	BUSH (BRONZE)	4	
6	264142108602	SLEEVE (DELTRIN)	2	
7	264142108304	SHIM 0.50 MM	4	
7	264142108305	SHIM 0.30 MM	2	
8	264142108306	SHIM 1.00 MM	2	
8	264142108306	WASHER 1.50 MM	2	
9	264142104301	CIRCLIP	2	
10	264342100110	ASSY. BRAKE SHOE (STD)	4	
11	264142109906	ROLLER	4	
12	264142108705	SPRING PULL OFF (CAM END)	2	
13	264142108706	SPRING PULL OFF (FULCRUM END)	4	
14	264142106704	FULCRUM PIN	4	
15	264142103405	FULCRUM PIN BUSH	4	
16	264142108213	DUST COVER FRONT (BOTTOM)	2	
16	264142108212	DUST COVER FRONT (TOP)	2	
19	257342107501	GROMMET	4	
		REPAIR KIT		
—	264342100171	KIT - LINING SET (STD)	1	FOR SELECTION
—	264342100172	KIT - LINING SET (R/S I)	1	FOR SELECTION
—	264342100173	KIT - LINING SET (R/S II)	1	FOR SELECTION

CHASSIS TYPE: ALL



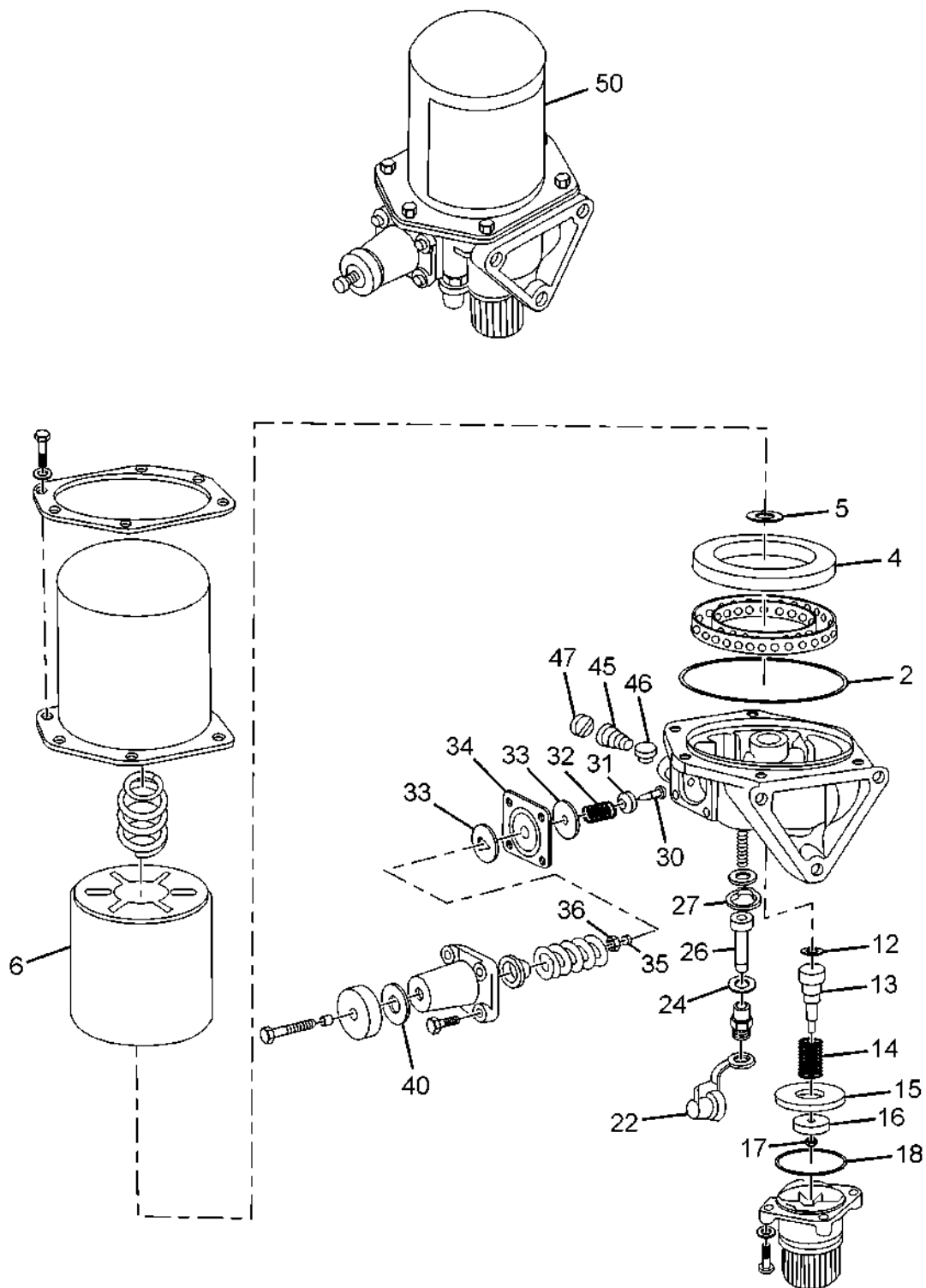
42.42.02		REAR WHEEL BRAKE (S-CAM) (ABS)		GROUP 42
CHASSIS TYPE: ALL				
FIG. NO.	PART NUMBER	DESCRIPTION	QTY	REMARKS
50	264342300105	ASSY. REAR BRAKE RH	1	
50	264342300106	ASSY. REAR BRAKE LH	1	
1	264342303702	TORQUE PLATE - LH	2	
1	264342303703	TORQUE PLATE - RH	2	
2	264142100110	ASSY. BRAKE SHOE (STD)	4	
3	264142305106	CAM SHAFT REAR LH	1	
3	264142305107	CAM SHAFT REAR RH	1	
4	264142107703	OIL SEAL	8	
5	264142103404	BUSH (BRONZE)	4	
6	264142300191	ASSY. BRACKET CAM SHAFT	2	
7	264142308603	SPACER (CAM SHAFT)	2	
8	264342108601	SLEEVE	2	
9	264142108304	SHIM 0.50 MM	4	
9	264142108305	SHIM 0.30 MM	2	
9	209342109204	WASHER 1.50 MM	2	
10	264142108306	SHIM 1.00 MM	2	
11	264142104301	CIRCLIP	2	
12	264142106704	FULCRUM PIN	4	
13	264142103405	FULCRUM PIN BUSH	4	
14	264142109906	ROLLER	4	
15	264142108705	SPRING PULL OFF (CAM END)	2	
16	264142108706	SPRING PULL OFF (FULCRUM END)	4	
17	264142308210	DUST COVER (TOP)	1	
17	264142308211	DUST COVER (BOTTOM)	1	
20	257342107501	GROMMET	4	
		REPAIR KIT		
—	264342100171	KIT - LINING SET (STD)	1	FOR SELECTION
—	264342100172	KIT - LINING SET (R/S I)	1	FOR SELECTION
—	264342100173	KIT - LINING SET (R/S II)	1	FOR SELECTION

CHASSIS TYPE: ALL



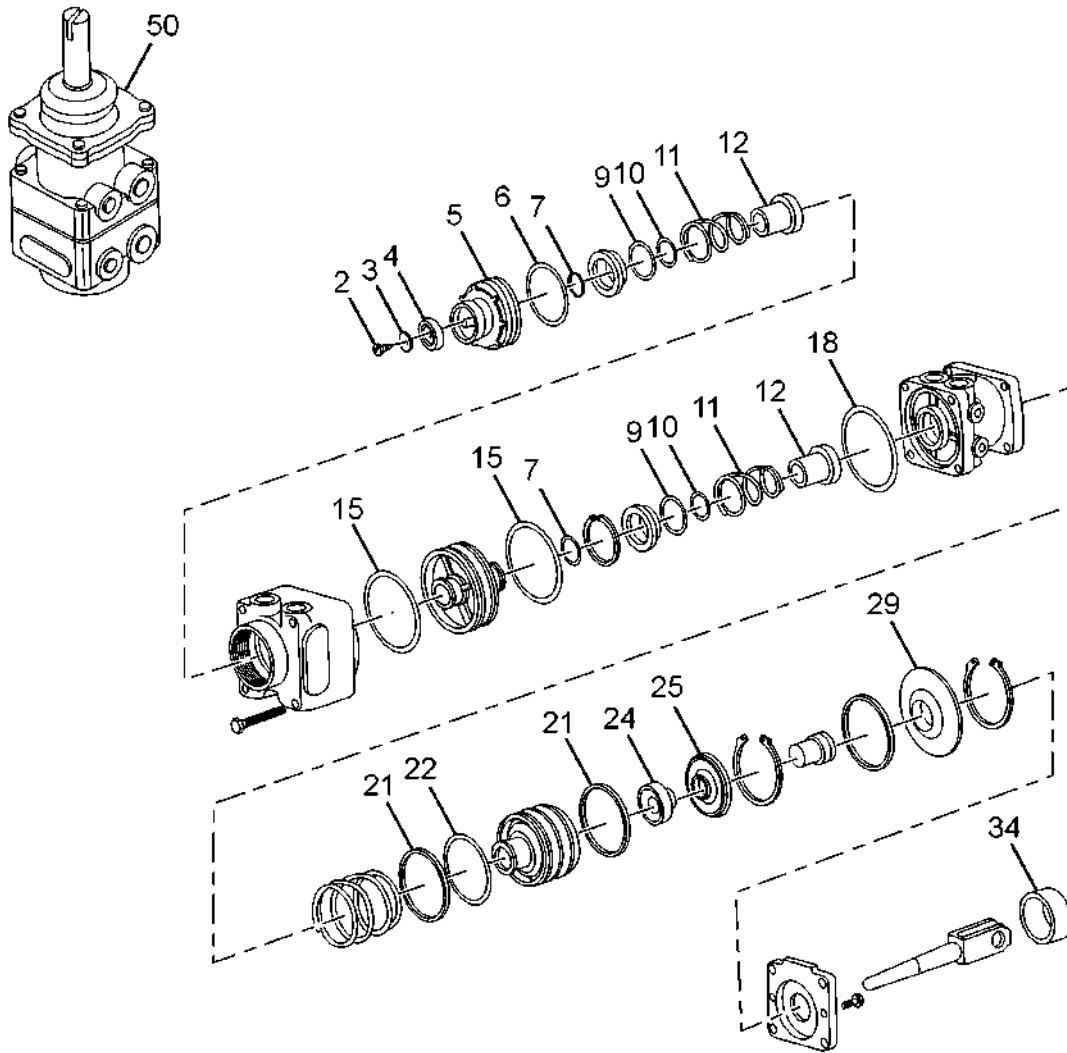
42.42.03		AIR LINES		GROUP 42	
CHASSIS TYPE: ALL					
FIG. NO.	PART NUMBER	DESCRIPTION	QTY	REMARKS	
1	263243900183	ASSY.NY.PIPE SET CAB COMPL-1613CAB/VOSS	1		
1	264343900177	ASSY NYLON PIPE SET CHASS COMP LPT613	1		
	264343900195	ASSY NYLON PIPE SET FOR ABS PROVISION	1		
2	16442801502	COUPLING BODY M 20X22 (ON COMPRESSOR)	1		
3	263243900165	ASSY.METAL PIPE WITH CRIMPED HOSE	1		
4	264343700131	AIR DRYER-HI PR WT 24V HEATER_SILE VOSS KB	1		
—	264143200118	ASSY. BRACKET RH (AIR DRIER)	1		
7	257342950176	3/8" HOSE 630 LG (MODULATOR VALVE TO REAR BRAKE CHAMBER)	1		
8	277043700113	PURGE TANK (SUITABLE FOR VOSS)	1		
16	257342950177	ASSY. HOSE (FRONT BRAKE CHAMBER LH/RH)	2		
17	264342906804	TEE, SOCKET (REAR BRAKE)	1		
20	257342900161	ASSY. HOSE 3/8 " (REAR BRAKE)	3		
21	264342906806	T-SOCKET	1		
32	264143200113	ASSY. SUPPORT (AIR TANK)	2		
33	257643200118	ASSY. STRAP	2		
-	257643206702	PIN	2		
34	264343200109	ASSY. AIR TANK	2		
35	257643208602	SPACER BLOCK	2		
36	257643790159	WATER DRAIN VALVE	2		
38	263243700155	4 CIR PROT VALV(AE4630-K003253)HI.PR.VOS	1		
40	263243700152	HAND BRAKE VALVE(VOSS)KB-K002599	1		
41	284143900133	MADULATOR VALVE 24V	4	OPTIONAL	
41	284143900134	MADULATOR VALVE 24V	4	OPTIONAL	
50	264143700147	DUAL BRAKE VAVLE VOSS (SCL)	1		
-	282143908201	BRACKET-MODULATOR VALVE MTG.- FRONT.	2		
-	282143908202	BRACKET-MODULATOR VALVE MTG. REAR	1		

CHASSIS TYPE: ALL



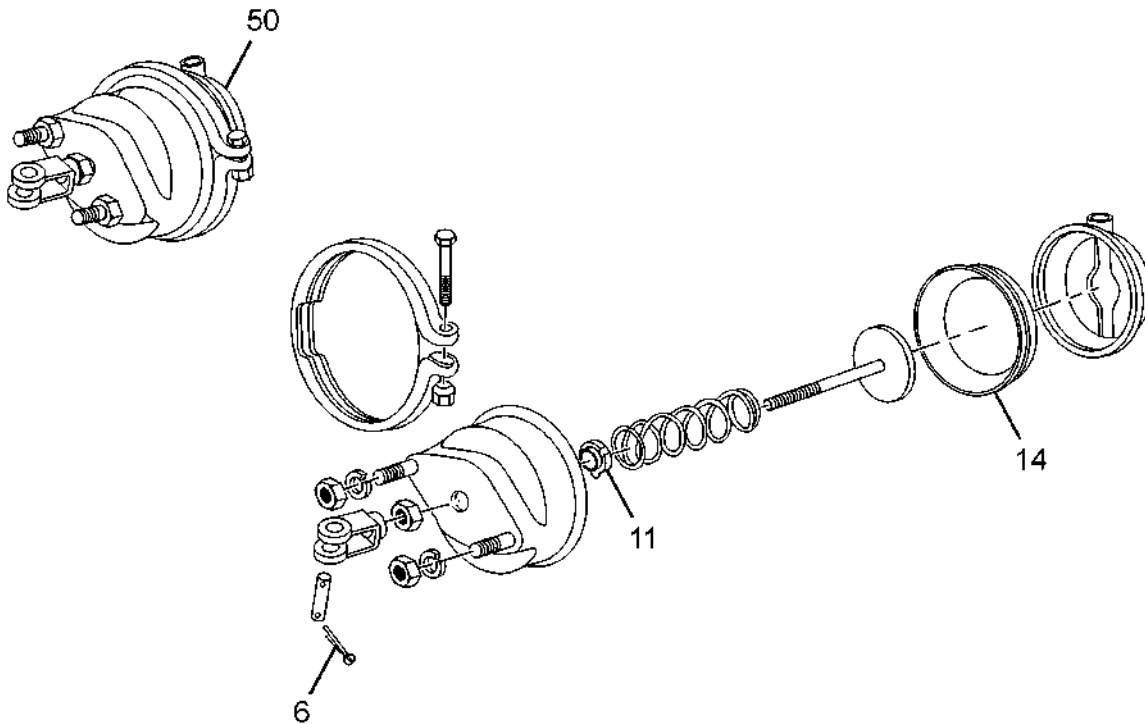
42.42.04		AIR DRIER WITH TYRE INFLATOR		GROUP 42
CHASSIS TYPE: ALL				
FIG. NO.	PART NUMBER	DESCRIPTION	QTY	REMARKS
50	264343700131	AIR DRYER-HI PR WT 24V HEATER_SILE VOSS KB	1	
—	264143700112	PLUNGER ASSY. CONSISTING OF :	1	
13	-	UNLOADER PLUNGER	1	
14	-	COMPRESSION SPRING	1	
15	-	VALVE SEAT	1	
16	-	VALVE	1	
17	-	HEXAGONAL NYLOC NUT	1	
—	264143700111	REPAIR KIT CONSISTING OF :	1	
2	-	SEALING RING	1	
4	-	FILTER	1	
5	-	SEALING RING	1	
6	-	DESICCANT CARTRIDGE	1	
12	-	SEALING RING	1	
16	-	VALVE	1	
18	-	SEALING RING	1	
22	-	DUST CAP	1	
24	-	SEALING RING	1	
26	-	VALVE	1	
27	-	SEALING WASHER	1	
31	-	VALVE	1	
34	-	DIAPHRAGM	1	
40	-	EXHAUST FLAP	1	
45	-	CONICAL SPRING	1	
46	-	NON RETURN VALVE	1	
47	-	VALVE STOP & SPRING RETAINER	1	
-	-	SILICON GREASE SACHET	2	
—	264143700113	ASSY. DIAPHRAGM CONSISTS OF :	1	
30	-	GOVERNOR PLUNGER	1	
31	-	VALVE	1	
32	-	SPRING	1	
33	-	FOLLOWER	2	
34	-	DIAPHRAGM	1	
35	-	SPRING WASHER	1	
36	-	HEX NUT	1	

CHASSIS TYPE: ALL



42.42.05		DUAL BRAKE VALVE		GROUP 42
CHASSIS TYPE: ALL				
FIG. NO.	PART NUMBER	DESCRIPTION	QTY	REMARKS
50	264143700147	DUAL BRAKE VAVLE VOSS (SCL)	1	
—	257643730134	VENTING GUIDE ASSY. CONSISTING OF :	1	
2	-	SELF TAPPING SCREW	1	
3	-	CAP	1	
4	-	WASHER	1	
5	-	VENTING GUIDE	1	
	264143700126	REPAIR KIT CONSISTING OF :	1	
4	-	WASHER	1	
6	-	'O' RING	1	
7	-	'O' RING	2	
9	-	'O' RING	2	
10	-	'O' RING	2	
11	-	SPRING	2	
12	-	VALVE	2	
15	-	'O' RING	2	
18	-	'O' RING	1	
21	-	GUIDE RING	2	
22	-	'O' RING	1	
24	-	RUBBER SPRING	1	
25	-	SPRING SEAT	1	
29	-	BOOT	1	
34	-	BOOT	1	

CHASSIS TYPE: ALL



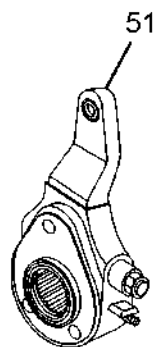
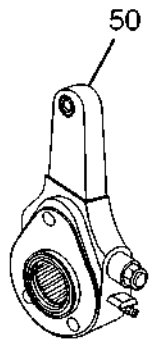
42.42.06		FRONT BRAKE CHAMBER		GROUP 42
CHASSIS TYPE: ALL				
FIG. NO.	PART NUMBER	DESCRIPTION	QTY	REMARKS
50	264142100148	FRONT BRAKE CHAMBER	2	TYPE 12 FOR TYPE 12
—	264142100166	REPAIR KIT CONSISTING OF :	1	
6	-	SPLIT PIN	2	
11	-	SEAL ASSY.	1	
14	-	DIAPHRAGM	1	

42.42.07

FRONT AND REAR SLACK ADJUSTER

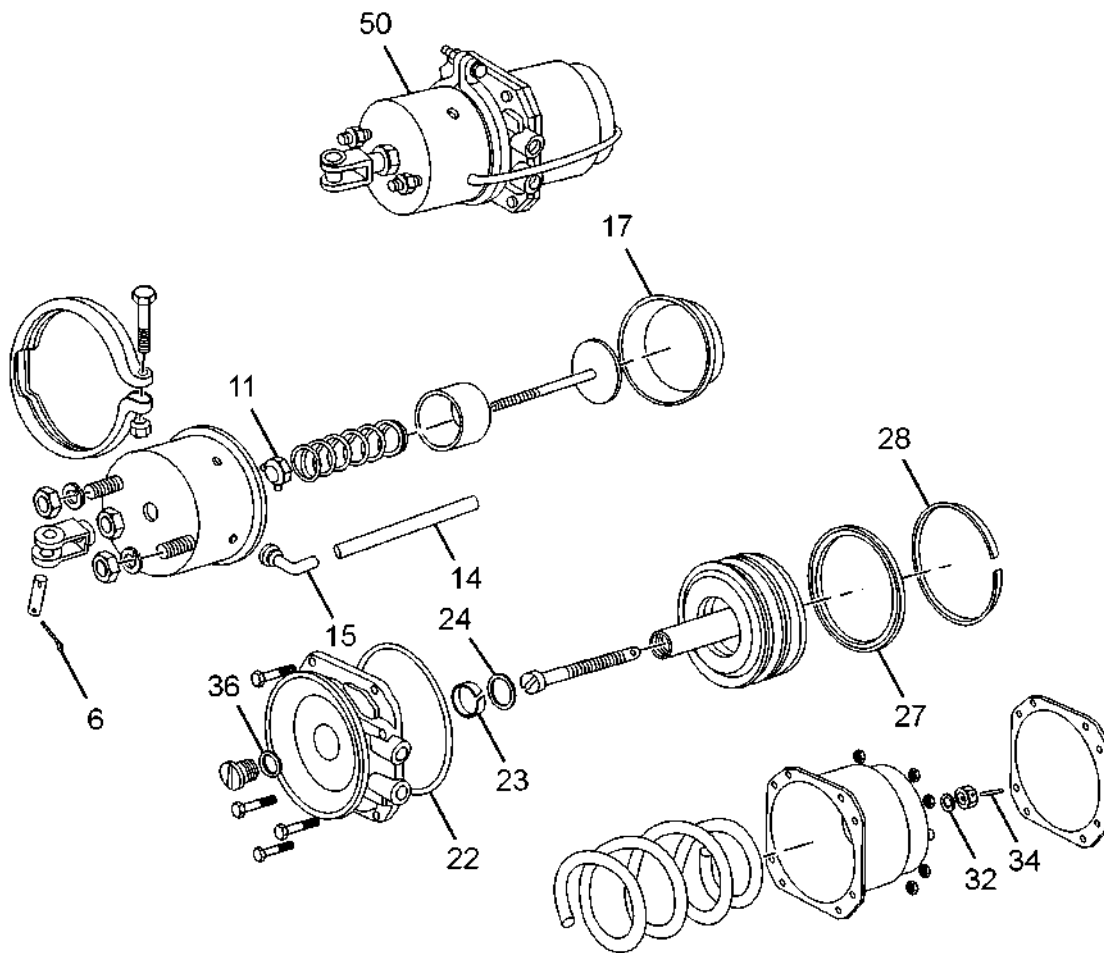
GROUP 42

CHASSIS TYPE: ALL



42.42.07		FRONT AND REAR SLACK ADJUSTER		GROUP 42
CHASSIS TYPE: ALL				
FIG. NO.	PART NUMBER	DESCRIPTION	QTY	REMARKS
50	264142110164	SLACK ADJUSTER FRONT	2	
51	264142310121	REAR SLACK ADJUSTER RH, 16MM OFFSET	1	
51	264142310120	REAR SLACK ADJUSTER LH, 16MM OFFSET	1	
	277842300168	MAJOR KIT-AUTO. SLACK ADJ CONSISTING OF :	1	
	-	ASSY.REGULATOR WHEEL-	1	
	-	NEEDLE BEARING-AUTO.ADJ.	1	
	-	BUSHING 12.7 MM	1	
	-	CONTROL ARM BUSHING	1	
	-	FRONT COVER-AUTO.ADJUSTER	1	
	-	REAR COVER-AUTO.ADJUSTER	1	
	-	GASKET-AUTO ADJUSTER	1	
	-	WORM SHAFT-AUTO ADJUSTER	1	
	-	CLUTCH WHEEL-AUTO ADJUSTER	1	
	-	RIVET-AUTO ADJUSTER	2	
	-	O'RING 12X3-AUTO.ADJUSTER	1	
	-	O'RING 44.2X3-AUTO ADJUSTER	2	
	-	TORX SCREW-AUTO.ADJUSTER	7	
	-	COIL SPRING-AUTO.ADJUSTER	1	
	-	THRUST WASHER-AUTO.ADJ.	1	
—	277842300172	MINOR KIT-AUTO.SLACK ADJUSTER CONSISTING OF :	1	
	-	GASKET-AUTO ADJUSTER	1	
	-	RIVET-AUTO ADJUSTER	2	
	-	O'RING 12X3-AUTO.ADJUSTER	1	
	-	O'RING 44.2X3-AUTO ADJUSTER	2	

CHASSIS TYPE: ALL



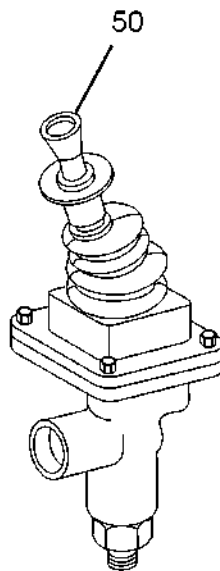
42.42.08		REAR BRAKE ACTUATOR		GROUP 42
CHASSIS TYPE: ALL				
FIG. NO.	PART NUMBER	DESCRIPTION	QTY	REMARKS
50	278243700150	ASSY. REAR BRAKE ACTUATOR ((T-12/12)	2	
—	264742300105	REPAIR KIT CONSISTING OF :	1	
6	-	SPLIT PIN	2	
11	-	SEAL ASSY.	1	
14	-	BREATHER TUBE	1	
15	-	ELBOW	2	
17	-	DIAPHRAGM	1	
22	-	SEALING RING	1	
23	-	BEARING	1	
24	-	SEALING RING	1	
27	-	SEAL (RAM)	1	
28	-	BEARING (RAM)	1	
32	-	WASHER	1	
34	-	SPRING DOWEL SLEEVE	1	
36	-	SEALING RING	1	

42.42.09

GRADUATED HAND BRAKE VALVE

GROUP 42

CHASSIS TYPE: ALL



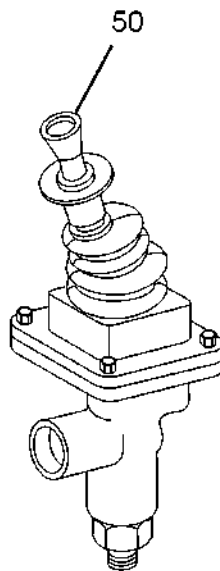
42.42.09		GRADUATED HAND BRAKE VALVE		GROUP 42	
CHASSIS TYPE: ALL					
FIG. NO.	PART NUMBER	DESCRIPTION	QTY	REMARKS	
50	288443700105	GRADUAT HAND CONTROL VALVE(VOSS&LP SWT)	1	FOR M/S. SCL MAKE	
	263243910171	REPAIR KIT-GR HAND BR VALVE	1		
	-	SEALING RING	1		
	-	SEALING WASHER	1		
	-	RETAING CLIP NG8	1		
	-	RETAING CLIP	1		
	-	SEALING RING	1		
	-	SEALING RING NG12	1		
	-	SEALING RING NG12	1		
	-	SEALING RING NG8	1		
	-	SEALING RING NG8	1		
	-	SPRING	1		
	-	TENSION PIN	1		
	-	SEALING RING	2		
	-	SPRING	2		
	-	VALVE	1		
	-	STRAINER PLATE	1		
	-	SPLIT PIN	1		
	-	FILTER	1		
	-	GAITER	1		
	-	SEALING RING NG-12	1		
	-	SHIM	AR		
	-	SHIM	AR		
	-	SHIM	AR		
	-	SPRING ELEMENT NG8	1		
	-	SPRING ELEMENT NG8	1		
	-	GREASE SACHET	1		
	-	263243710101	SPARE KIT-HAND BRAKE VALVE	1	FOR M/S. KNOR BREMSE MAKE
	-	-	VALVE SEAT	1	
	-	-	VALVE CAP	1	
	-	-	BUSHING	1	
	-	-	BUSHING	1	
	-	-	CIRCLIP	1	
-	-	SWITCH SHOE	1		
-	-	RELEASE LEVER HANDLE	1		
-	-	HANDLE	1		
-	-	DRIVER	1		
-	-	PISTON	1		
-	-	CLAMPING PIN	1		

42.42.09

GRADUATED HAND BRAKE VALVE

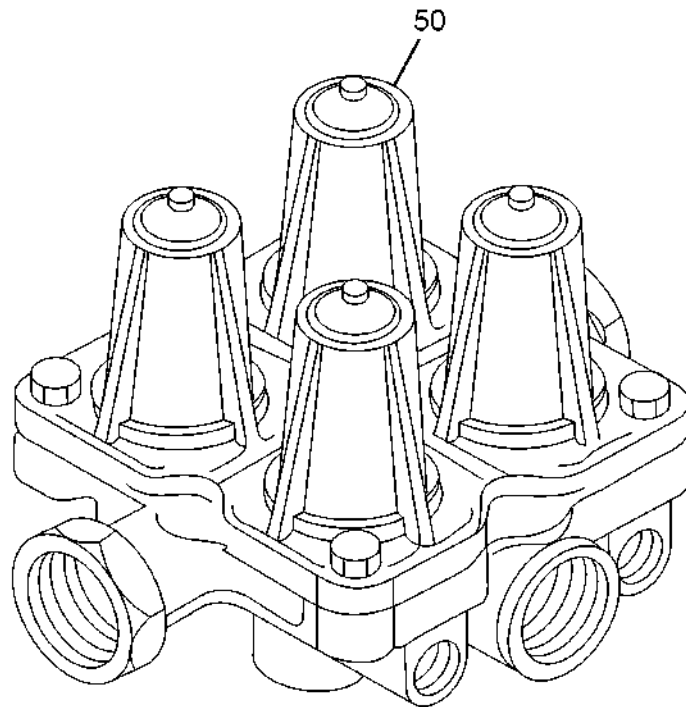
GROUP 42

CHASSIS TYPE: ALL



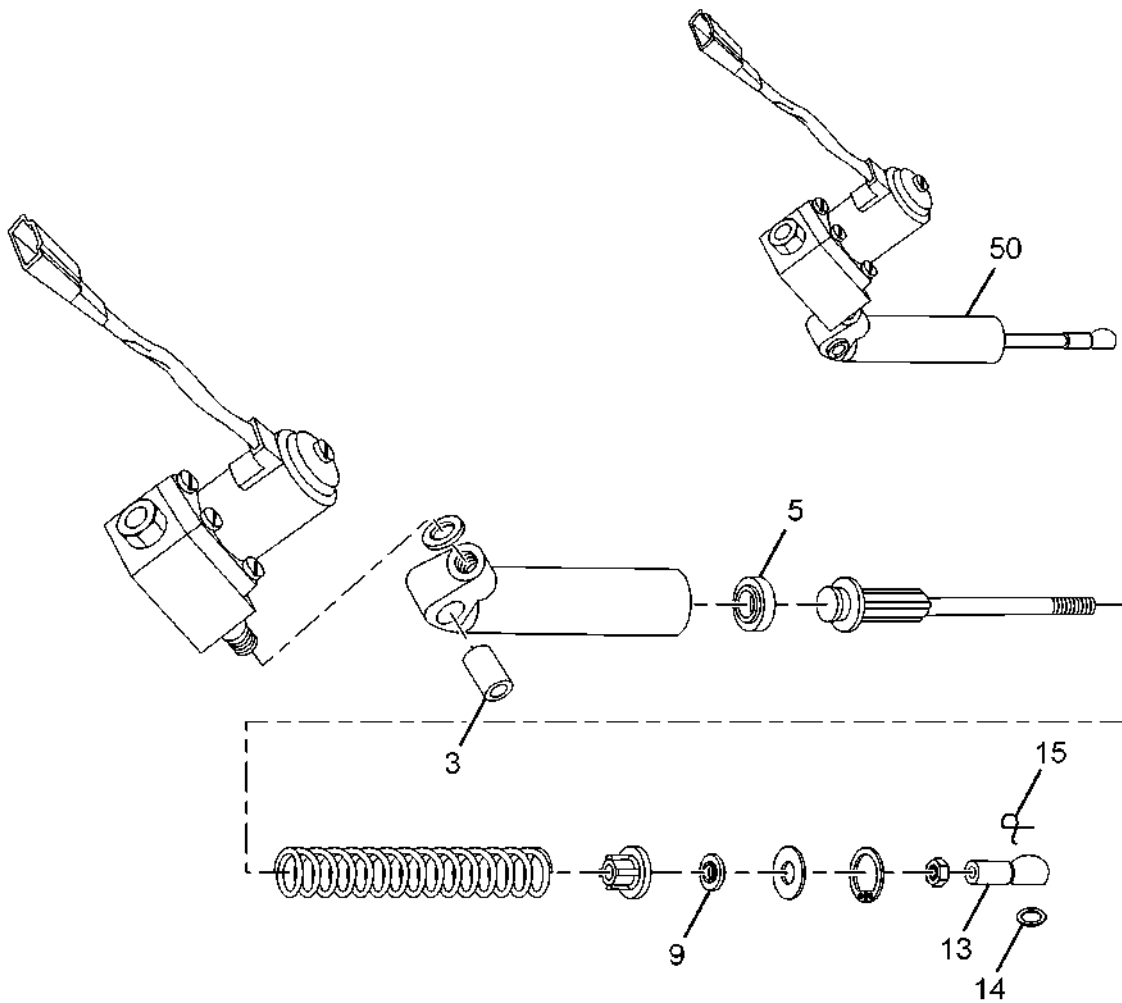
42.42.09		GRADUATED HAND BRAKE VALVE		GROUP 42
CHASSIS TYPE: ALL				
FIG. NO.	PART NUMBER	DESCRIPTION	QTY	REMARKS
—	-	KNURLED PIN	1	
	-	HOSE CONNECTION	1	
	-	CYLINDRICAL SCREW	1	
	-	DUST PROTECTOR	1	
	-	O'RING	1	
	-	O'RING	1	
	-	O'RING	1	
	-	O'RING	1	
	-	COMPRESSION SPRING	1	
	-	WASHER	2	
	-	WASHER	6	
	-	WASHER	1	
	-	GREASE	1	

CHASSIS TYPE: ALL



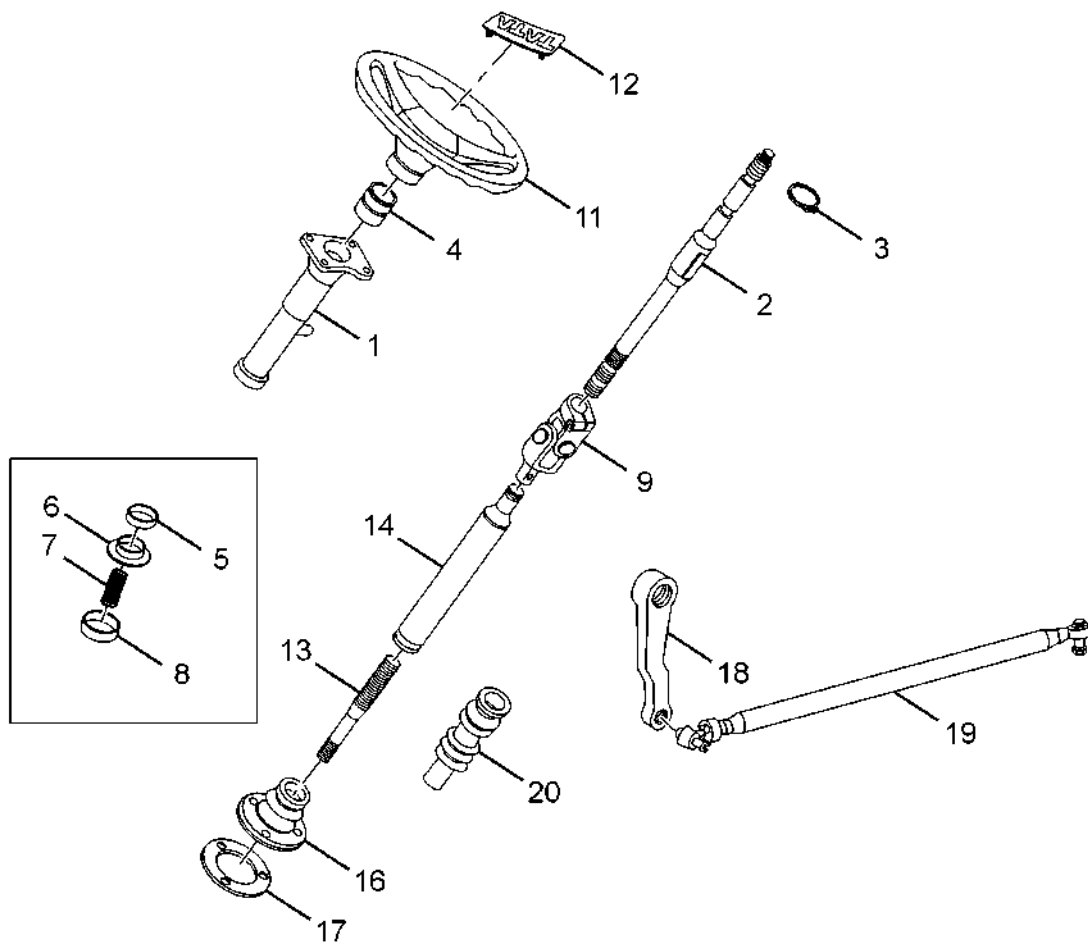
42.42.10		QUADRUPLE SYSTEM PROTECTION VALVE		GROUP 42
CHASSIS TYPE: ALL				
FIG. NO.	PART NUMBER	DESCRIPTION	QTY	REMARKS
50	263243700155	4 CIR PROT VALV (AE4630-K003253) HI.PR.VOS	1	
—	263243710104	SPARE KIT-FCPV (VOSS) (KB)	1	M/S. KNOR BREMSE MAKE
-		SPRING RETAINER	4	
-		GASKET	1	
-		DIAPHRAGM	4	
-		GASKET	1	
-		SUPPORT RING	4	
-		VALVE HEAD	2	
-		GROOVED RING	1	
-		DIAPHRAGM PLATE	4	
-		GREASE	2	
-		VALVE ELEMENT	2	
-		VALVE ELEMENT	2	

CHASSIS TYPE: ALL



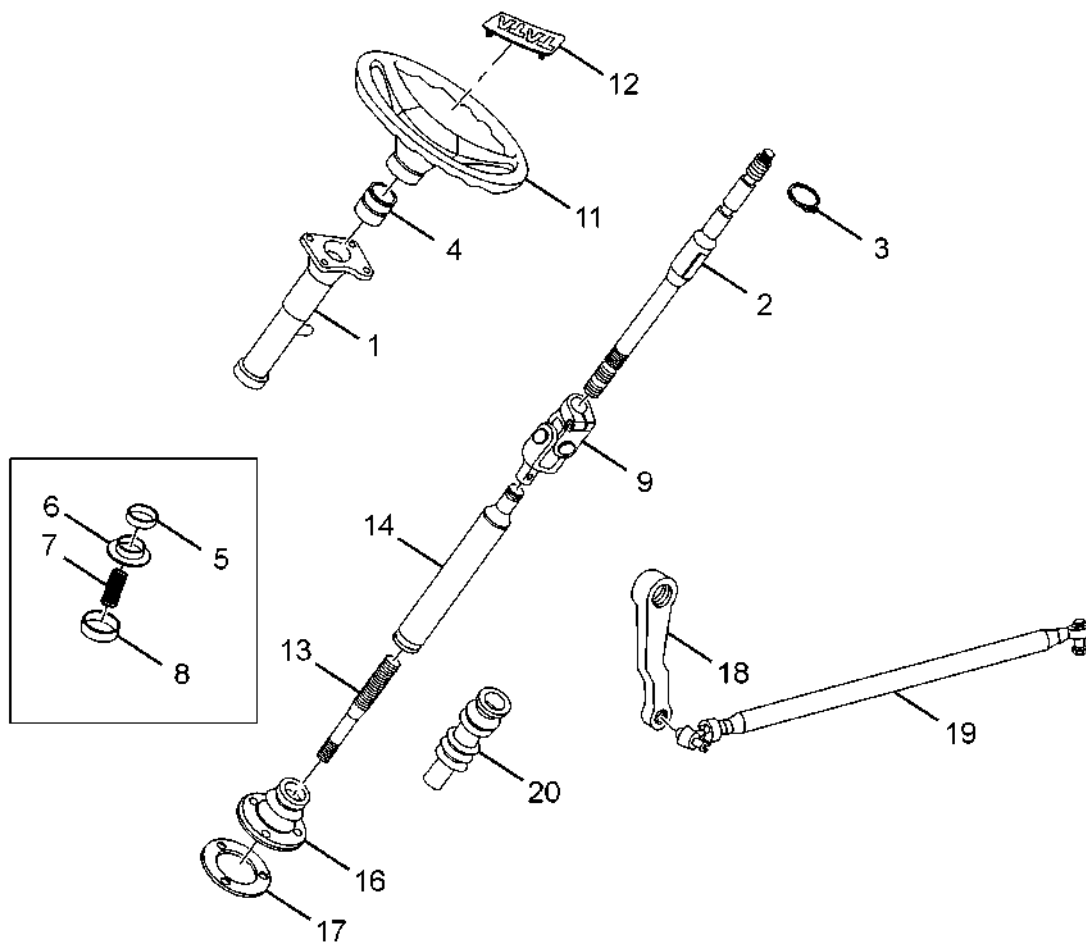
42.42.11		AIR CYLINDER WITH MAGNETIC VALVE		GROUP 42
CHASSIS TYPE: ALL				
FIG. NO.	PART NUMBER	DESCRIPTION	QTY	REMARKS
50	277054249904	ASSY. MAGNETIC VALVE 24 V (EXHAUST BRAKE)	1	
—	252340150124	BALL SOCKET JOINT ASSY. CONSISTING OF:	1	
13	-	BALL SOCKET	1	
14	-	SPRING RING	1	
15	-	LOCKING RING	1	
—	252340150123	REPAIR KIT FOR AIR CYLINDER CONSISTING OF:	1	
3	-	BUSH	1	
5	-	PISTON SEAL	1	
9	-	WIPER SEAL	1	
14	-	SPRING RING	1	
15	-	LOCKING RING	1	
—	-	GREASE SACHET	1	

CHASSIS TYPE: 381226



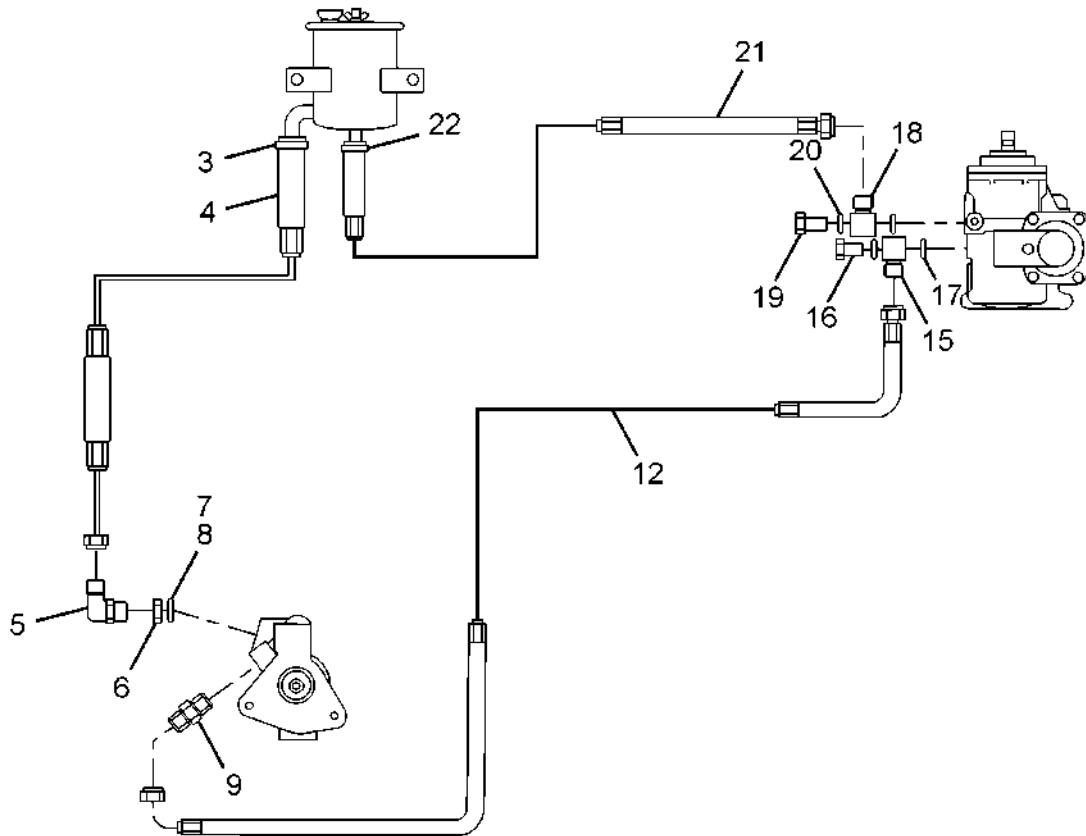
46.46.01A		STEERING LINKAGE		GROUP 46
CHASSIS TYPE: 381226				
FIG. NO.	PART NUMBER	DESCRIPTION	QTY	REMARKS
1	278346200105	ASSY. STEERING COLUMN	1	
2	278346200104	ASSY. STEERING SPINDLE TOP	1	
3	14550602009	CIRCLIP 20X1.2 N	1	
4	264046203102	S.R.D.G. BALL BEARING	2	
5	264146207920	SPACER	1	
6	265446209915	SPRING SEAT	1	
7	265446208711	COMPRESSION SPRING	1	
8	265446208278	SPRING SEAT CUP	1	
9	265146600102	ASSY.UNIVERSAL JOINT	2	
--	265146603201	BOLT.	4	
11	269846400103	ASSY STEERING WHEEL (420 DIA, GRAY)	1	
12	265446406312	T EMBLEM	2	
14	264146210124	ASSY.STG.SPINDLE, MIDDLE	2	
13	269846207916	STEERING SPINDLE BOTTOM	2	
--	265146603201	BOLT	4	
16	264146106301	RUBBER BELLOW (FLOOR)	1	
17	264146108201	CLAMPING RING	1	
18	264146306019	PITMAN ARM	1	
19	264146600159	ASSY.DRAG LINK-LHD	1	
20	265846206306	RUBBER BELLOW	1	

CHASSIS TYPE: 381313



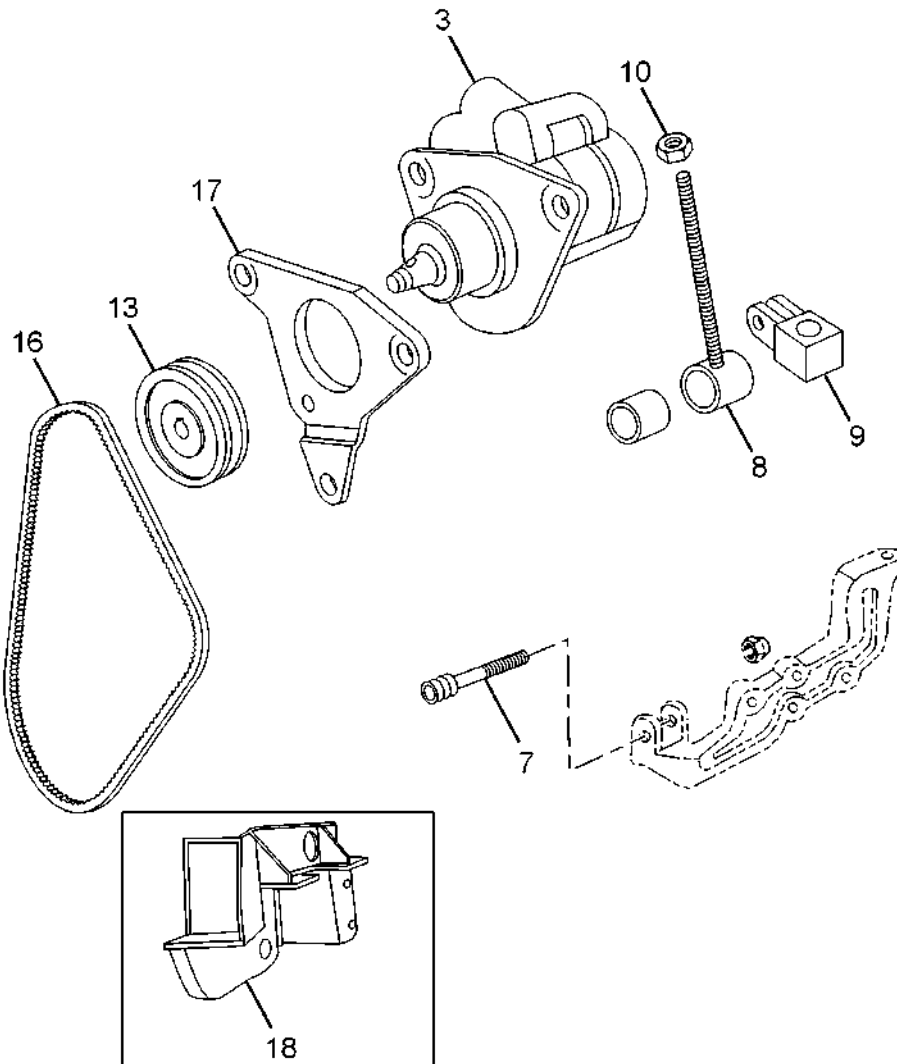
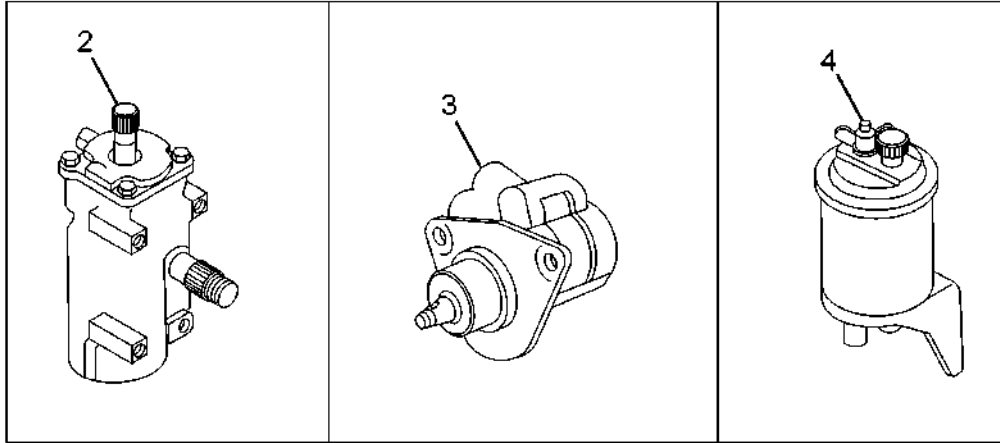
46.46.01B		STEERING LINKAGE		GROUP 46
CHASSIS TYPE: 381313				
FIG. NO.	PART NUMBER	DESCRIPTION	QTY	REMARKS
1	278346200105	ASSY. STEERING COLUMN	1	
2	278346200104	ASSY. STEERING SPINDLE TOP	1	
3	14550602009	CIRCLIP 20X1.2 N	1	
4	264046203102	S.R.D.G. BALL BEARING	2	
5	264146207920	SPACER	1	
6	265446209915	SPRING SEAT	1	
7	265446208711	COMPRESSION SPRING	1	
8	265446208278	SPRING SEAT CUP	1	
9	265146600102	ASSY.UNIVERSAL JOINT	2	
--	265146603201	BOLT.	4	
11	269846400103	ASSY STEERING WHEEL (420 DIA, GRAY)	1	
12	265446406312	T EMBLEM	2	
14	264346200104	ASSY.STG.SPINDLE, MIDDLE	2	
13	264146207930	STEERING SPINDLE BOTTOM	2	
--	265146603201	BOLT	4	
16	264146106301	RUBBER BELLOW (FLOOR)	1	
17	264146108201	CLAMPING RING	1	
18	264146306019	PITMAN ARM	1	
19	264146600159	ASSY.DRAG LINK-LHD	1	
20	264146206301	RUBBER BELLOW	1	

CHASSIS TYPE: ALL



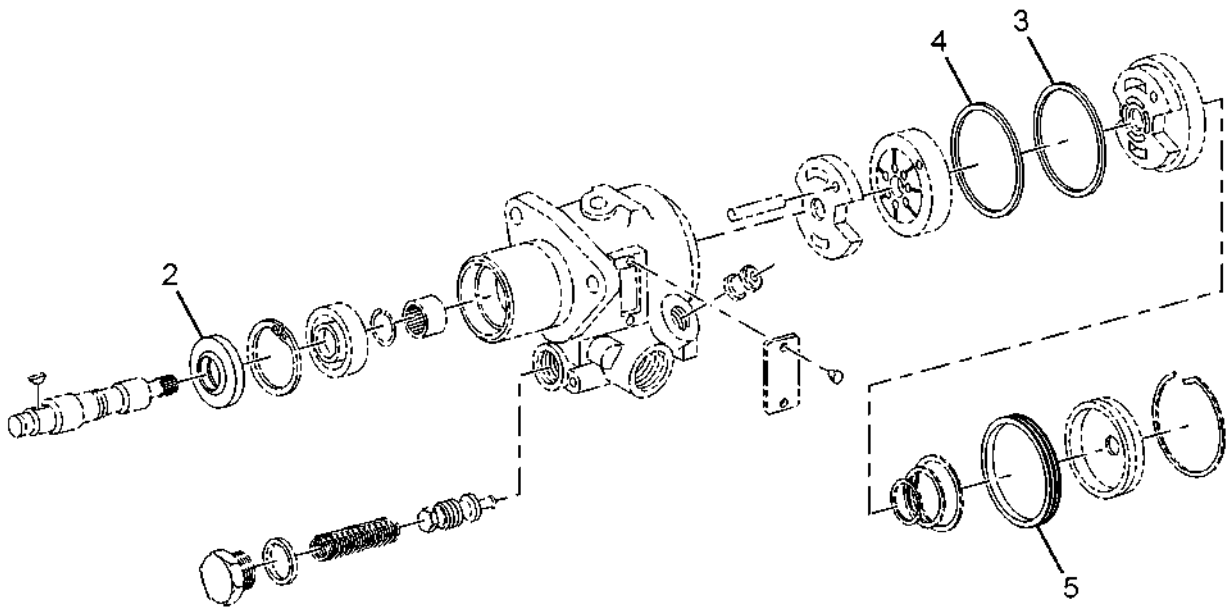
46.46.02		POWER STEERING PIPE LINES	GROUP 46	
CHASSIS TYPE: ALL				
FIG. NO.	PART NUMBER	DESCRIPTION	QTY	REMARKS
3	14280500357	HOSE CLAMP 35	4	
4	264346800134	ASSY.SUCTION LINE(CRIMPED-TANK TO PUMP)	1	
5	257646806803	ELBOW	1	
6	12056102602	LOCK NUT M26X1.5 (ON OIL PUMP INLET PORT)	1	
7	257443509201	SEALING RING (ON OIL PUMP INLET PORT)	1	
8	17050501205	O RING 25.0X2.65 (ON OIL PUMP INLET PORT)	1	
9	207746800160	ASSY MALE ADAPTOR (TF/RP/AD/003) - RANE	1	
12	264346800132	ASSY. CRIMPED HOSE STRG.PUMP TO GEAR BOX	1	
15	257344106802	BANJO BODY (ON STRG GEAR BOX INLET PORT)	1	
16	257344106803	BANJO	1	
17	16220710240	SEALING WASHER 16X20 CU	2	
18	257646806801	BANJO BODY (ON STRG GEAR BOX INLET PORT)	1	
19	16530901801	BANJO M18X1.5	1	
20	16220710282	SEALING WASHER 18X22 CU	2	
21	264346800133	ASSY. CRIMPED HOSE GEARBOX TO RESERVOIR	1	
22	14280500306	HOSE CLAMP 30	2	

CHASSIS TYPE: ALL



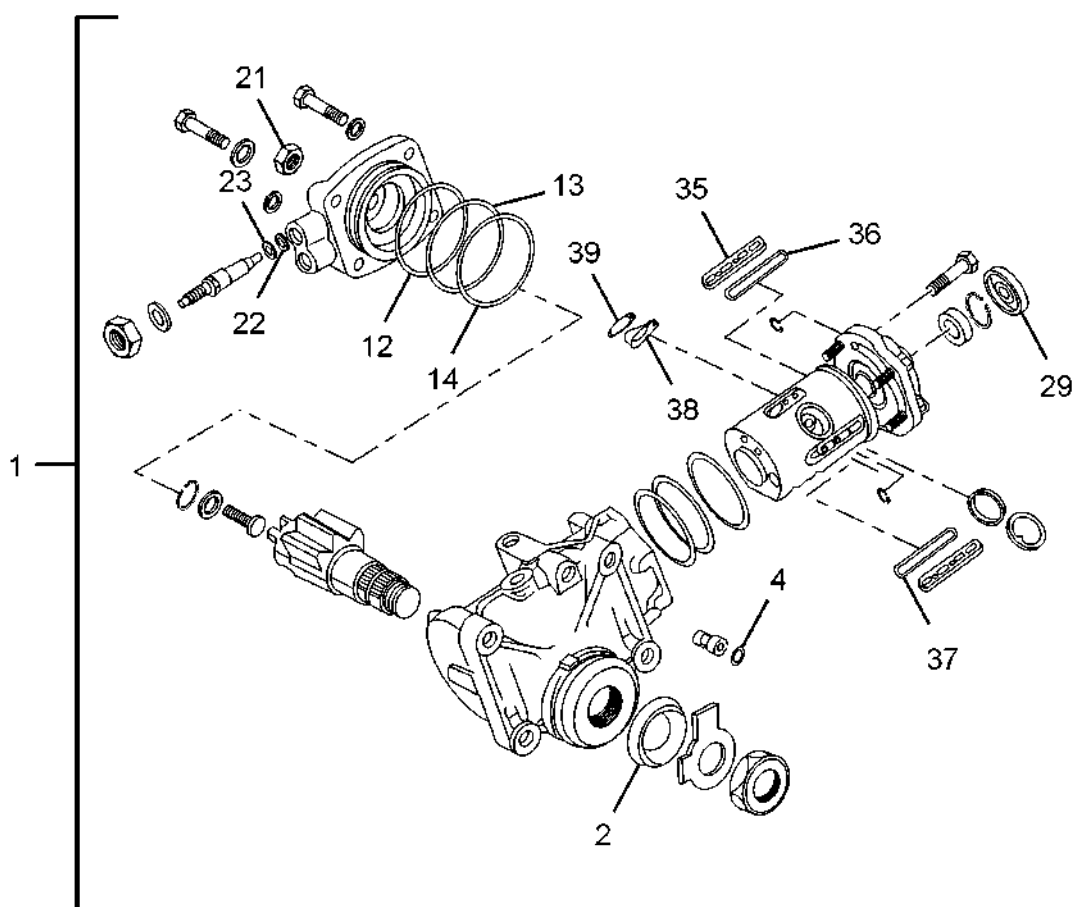
46.46.03		POWER STEERING COMPONENTS		GROUP 46	
CHASSIS TYPE: ALL					
FIG. NO.	PART NUMBER	DESCRIPTION	QTY	REMARKS	
2	264146200182	ASSY. POWER STEERING GEAR BOX (ZF)	1		
3	252723110103	ASSY POWER STEERING PUMP (ZF)			
4	264146800138	ASSY. POWER STEERING HYDRAULIC TANK (ZF)	1		
7	252523116705	PIN (STGR. PUMP WITH BRACKET TO FUEL FILTER BRACKET)	1		
8	252523400105	CLAMPING LEVER ASSY.	1		
9	3141550228	CLAMPING PIECE	1		
10	3521550272	CLAMPING NUT	1		
13	252523407005	PULLEY (POWER STEERING PUMP)	1		
16	260020156302	V-BELT (COGGED) 980	1		
17	252523403304	BRACKET, HYD. PUMP (ZF)	1		
18	264146200180	ASSY. BRACKET STEERING GEAR BOX MOUNTING	1		

CHASSIS TYPE: ALL



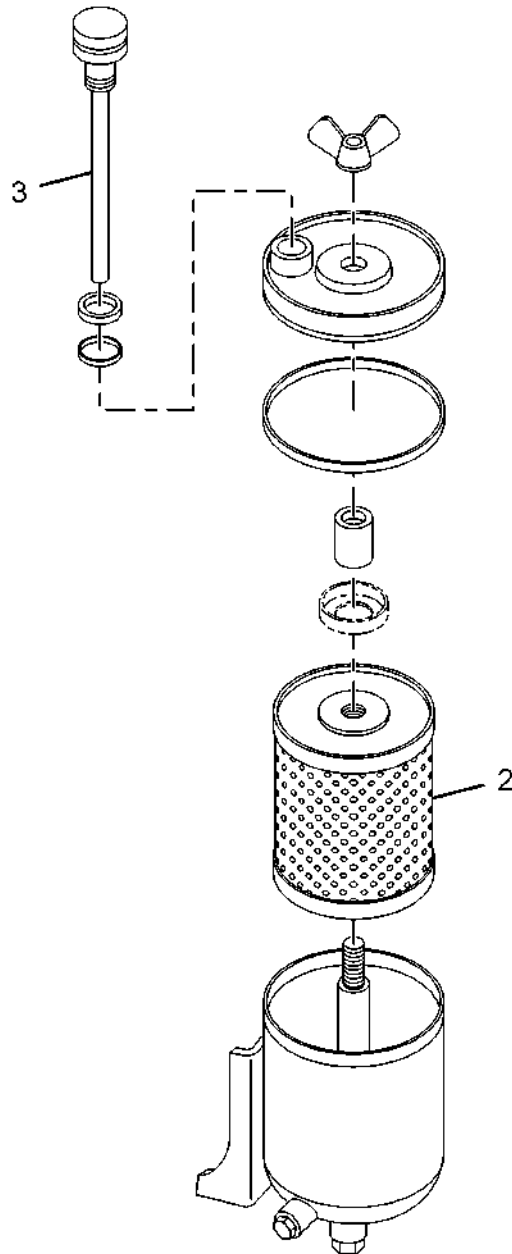
46.46.04		POWER STEERING PUMP (ZF)		GROUP 46
CHASSIS TYPE: ALL				
FIG. NO.	PART NUMBER	DESCRIPTION	QTY	REMARKS
-	252723110103	ASSY POWER STEERING PUMP (ZF)	1	
-	257323100102	PUMP SEAL KIT, ZF, CONSISTING OF :	1	
2	-	OIL SEAL	1	
3	-	'O' RING	1	
4	-	SUPPORT RING	1	
5	-	PROTECTING SEALING RING	1	

CHASSIS TYPE: ALL



46.46.05		POWER STEERING GEARBOX (ZF)		GROUP 46	
CHASSIS TYPE: ALL					
FIG. NO.	PART NUMBER	DESCRIPTION	QTY	REMARKS	
1	264146200182	ASSY. POWER STEERING GEAR BOX (ZF)	1		
—	257346210102	SEAL KIT (POWER STEERING GEAR BOX)	1		
		CONSISTING OF :			
2	-	DUST SEAL	1		
—	-	GASKET	3		
—	-	SUPPORT RING	3		
4	-	'O' RING	1		
13	-	'O' RING	1		
12	-	'O' RING	1		
14	-	SEALING RING	1		
21	-	SEALING NUT	1		
22	-	'O' RING	2		
23	-	'O' RING	2		
29	-	PROTECTIVE CAP	1		
35	-	GASKET	2		
36	-	GASKET	2		
37	-	GASKET	2		
38	-	GASKET	2		
39	-	GASKET	2		
--	-	GASKET	2		

CHASSIS TYPE: ALL

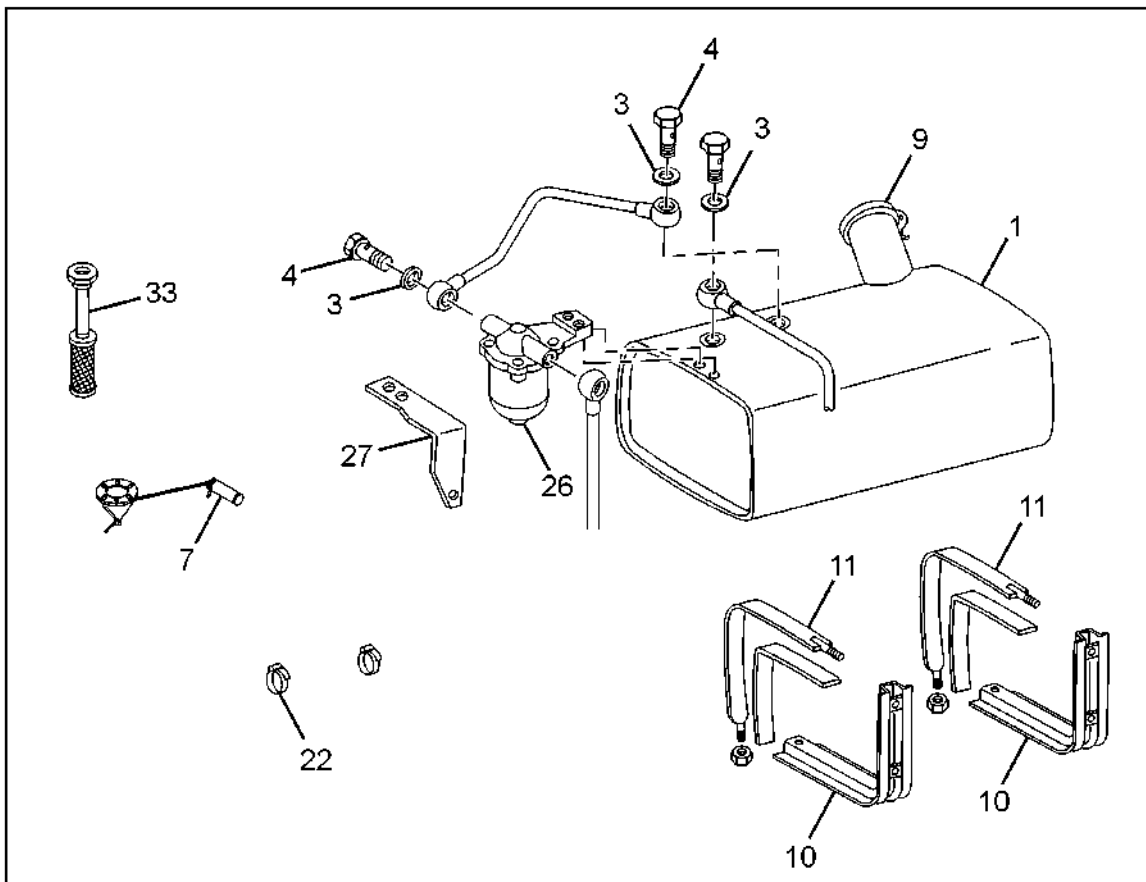
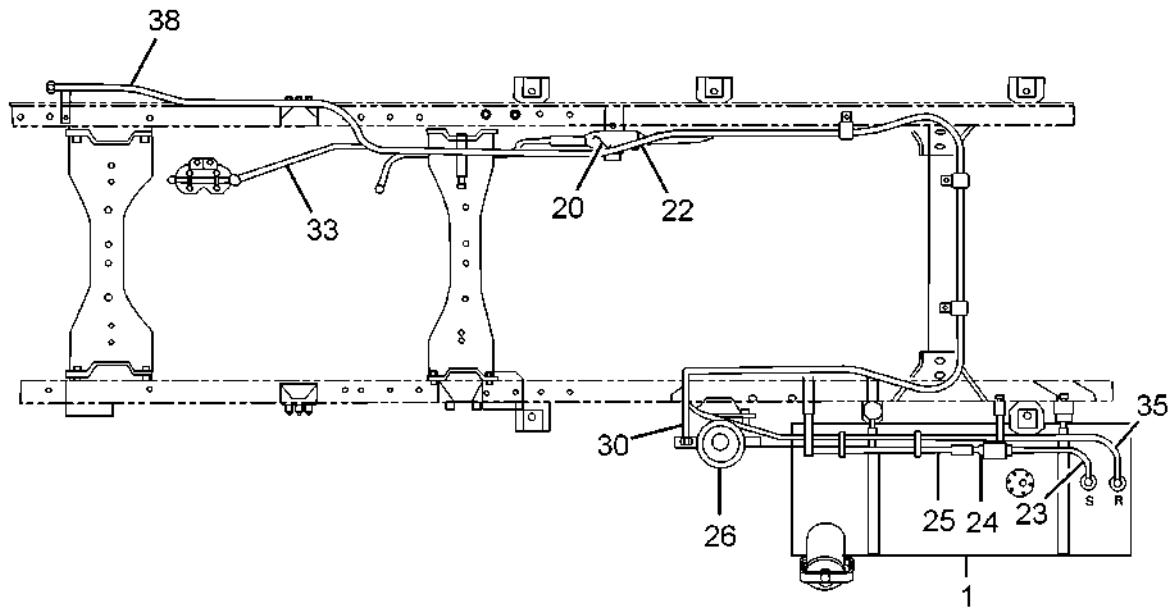


46.46.06	POWER STEERING HYDRAULIC TANK (ZF)	GROUP 46
----------	------------------------------------	----------

CHASSIS TYPE: ALL

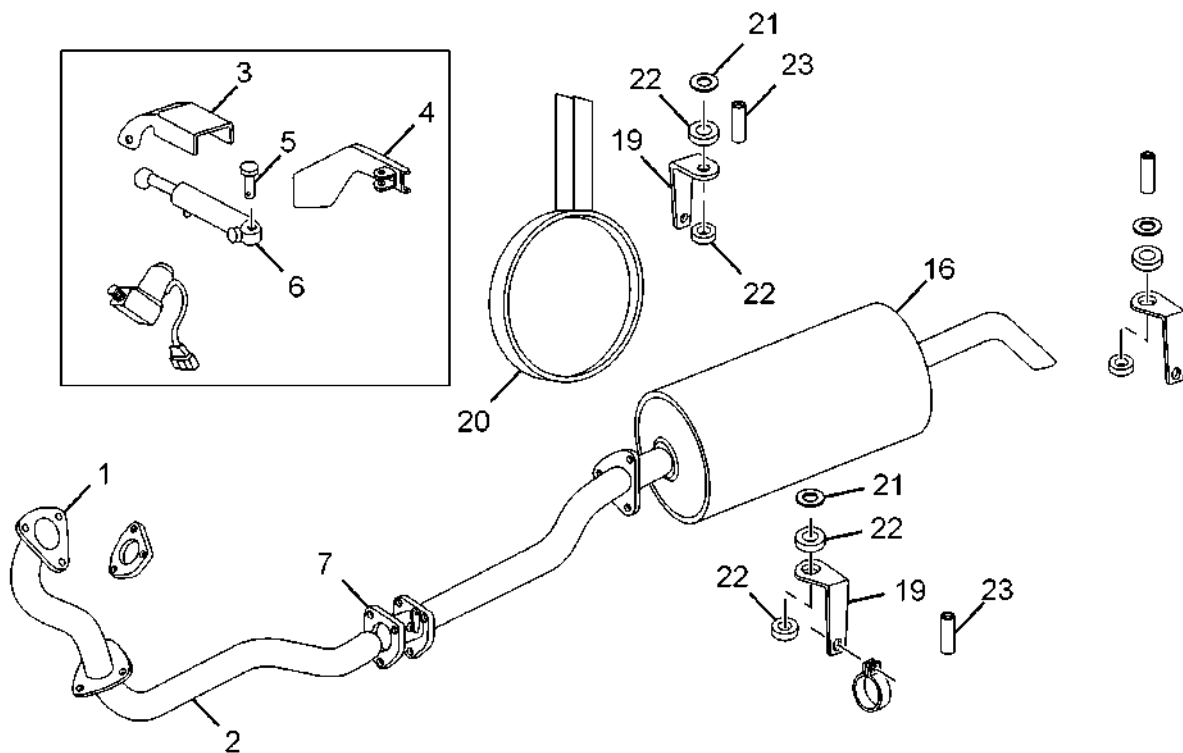
FIG. NO.	PART NUMBER	DESCRIPTION	QTY	REMARKS
-	264146800138	ASSY. POWER STEERING HYDRAULIC TANK (ZF)	1	
2	257344400128	ASSY. FILTER	1	
3	-	DIPSTICK ASSY.	1	

CHASSIS TYPE: ALL



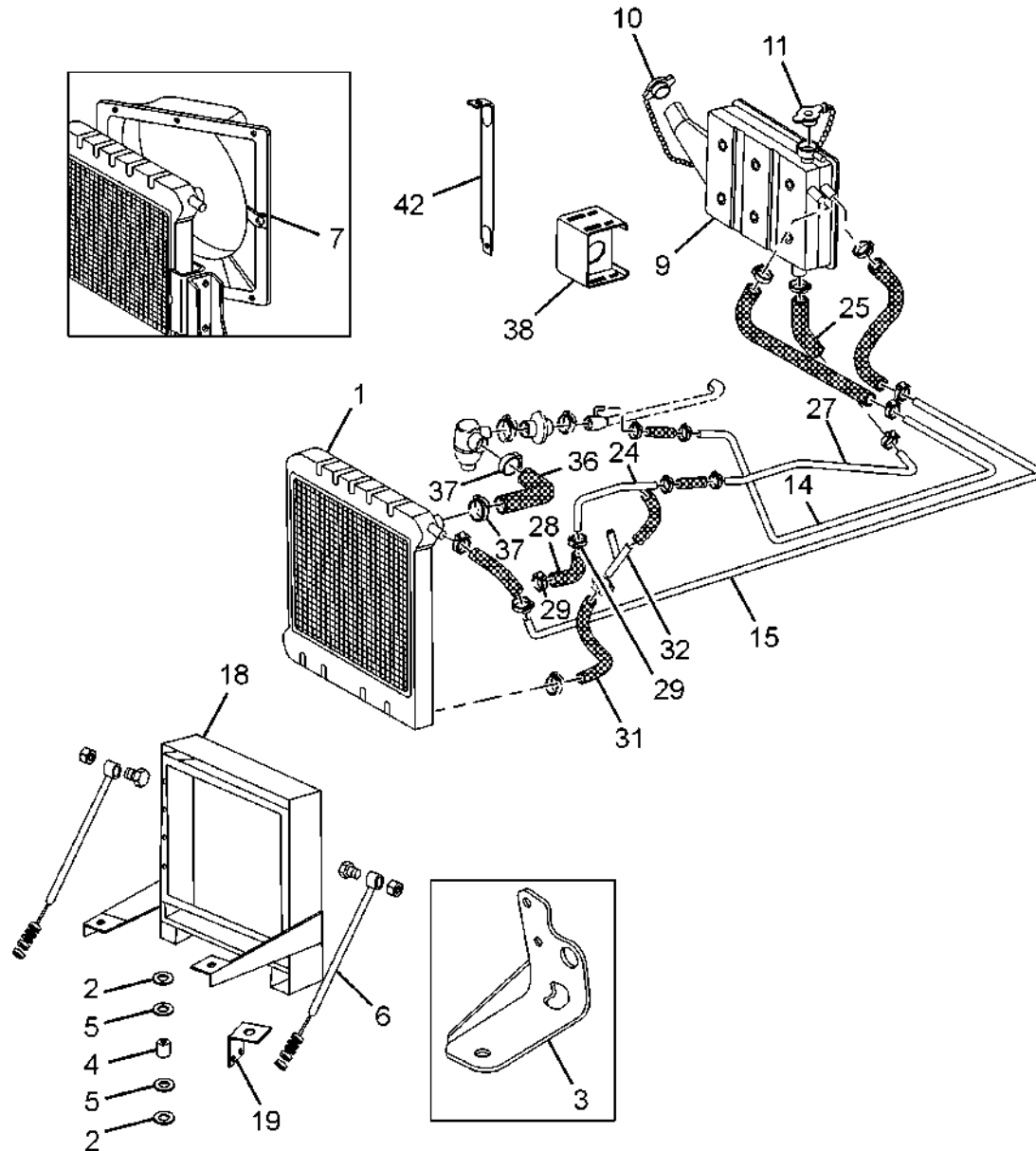
47.47.01		FUEL SYSTEM		GROUP 47
CHASSIS TYPE: ALL				
FIG. NO.	PART NUMBER	DESCRIPTION	QTY	REMARKS
1	264447000101	FUEL TANK(120 LT)-WITH STRAP & SUPPORT	1	
3	16220510577	SEALING WASHER 38X44 AL	2	
4	16531999049	PIPE UNION BOLT 10	2	
—	16220510216	SEALING WASHER 14X18 AL	4	
7	265154210101	TANK UNIT	1	
9	0424700605J	ASSY. FUEL TANK CAP	1	
10	264047500104	ASSY. BRACKET (FUEL TANK MTG)	2	
11	265147500102	ASSY. STRAP	2	
20	252707100189	ASSY.ELECTRIC FUEL PUMP(EURO-II)	1	
22	14280500209	HOSE CLAMP 20	4	
23	264347600158	ASSY.SUCTION LINE(FUEL TANK TO STRAINER)	1	
24	278609999951	FUEL STRAINER	1	
—	264142900179	ASSY.CLAMP (FOR FUEL SRAINER)	1	
25	264347600159	ASSY. SUCTION LINE (STRAINER TO W/SEP)	1	
26	264347100101	WATER SEP WITH HEATER(FLEETGUARD-FH232)	1	
27	264347600170	ASSY BKT(FLEETGUARD W/SEP WITH HEATER)	1	
-	264747605802	FUEL HOSE (ENGINE SIDE)	1	
30	264347600160	ASSY.SUCTION LINE(W/SEP TO FEED PUMP)	1	
—	264747605801	FUEL HOSE (SUCTION SIDE)	1	
33	264347600161	ASSY. SUCTION LINE (FEED PUMPTO FILTER)	1	
35	264347600162	ASSY. RETURN LINE	1	
—	264347600157	ASSY BRACKET (FEED PUMP MOUNTING)	1	
—	3124761426	RUBBER HOSE	1	
38	264347600163	ASSY.SUCTION LINE (W/SEP TO HEATER)	1	
	264347605802	FUEL HOSE	1	

CHASSIS TYPE: ALL



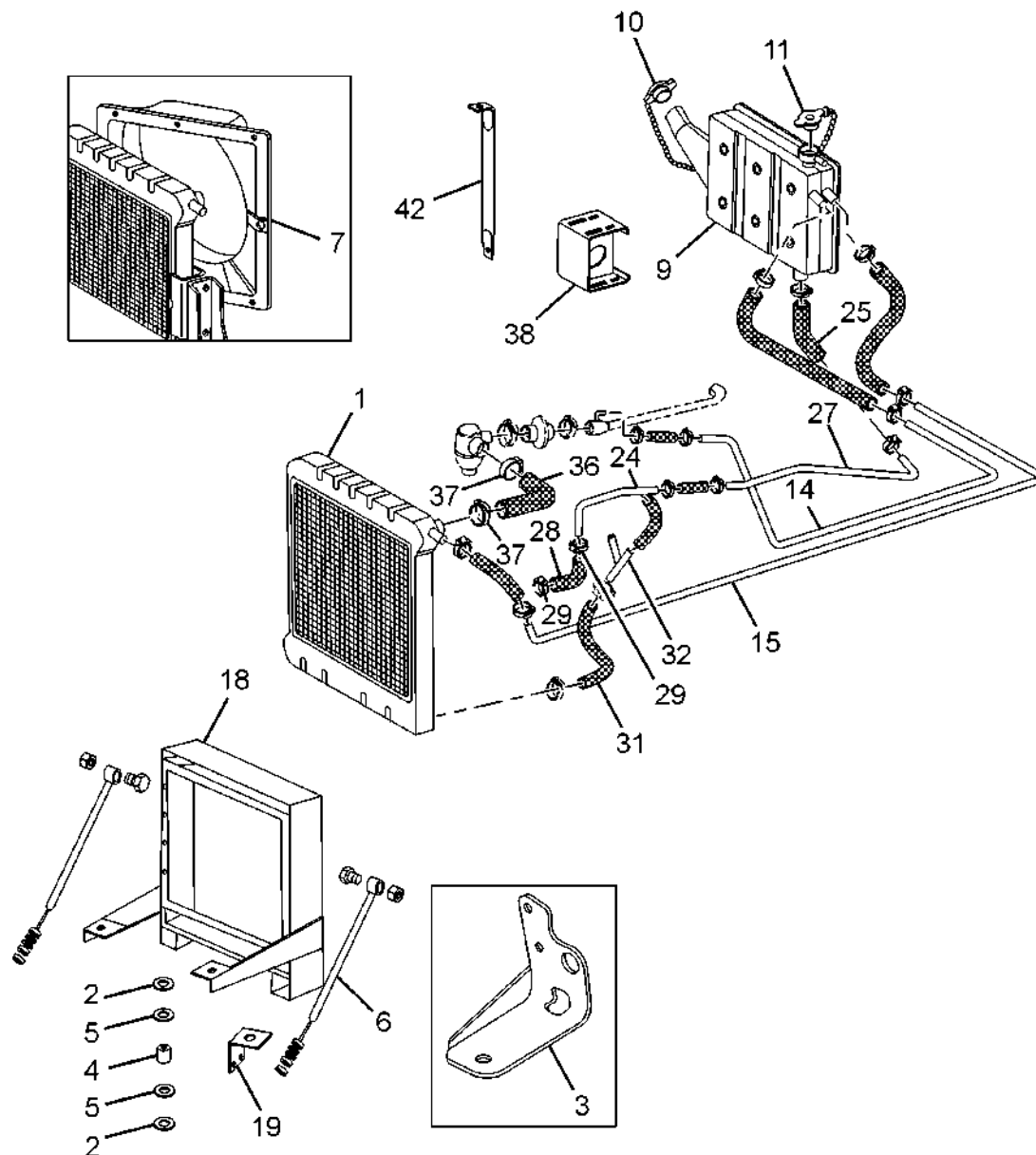
49.49.01		EXHAUST SYSTEM		GROUP 49	
CHASSIS TYPE: ALL					
FIG. NO.	PART NUMBER	DESCRIPTION	QTY	REMARKS	
1	264349200179	ASSY.EXHAUST PIPE (FRONT).	1		
2	264349200172	ASSY.EXHAUST PIPE FRONT (NT6A)	1		
3	263249105301	GASKET	1		
4	208949200102	ASSY. BRACKET	1		
5	275449206701	PIN	1		
6	277054249904	ASSY. MAGNETIC VALVE 24 V (EXHAUST BRAKE)	1		
7	276349200123	ASSY. EXHAUST BRAKE UNIT	1		
16	264349100110	ASSY. SILENCER COMPLETE(WITH TAIL PIPE)	1		
19	264349200171	ASSY.BRACKET (EXHAUST MTG.)	1		
20	264349200173	ASSY. CLAMP (SILENCER MTG.)	1		
21	257649009202	WASHER	2		
22	257649007502	RUBBER BUFFER	4		
23	257649006902	TUBE	2		
-	257649205302	GASKET	5		

CHASSIS TYPE: ALL



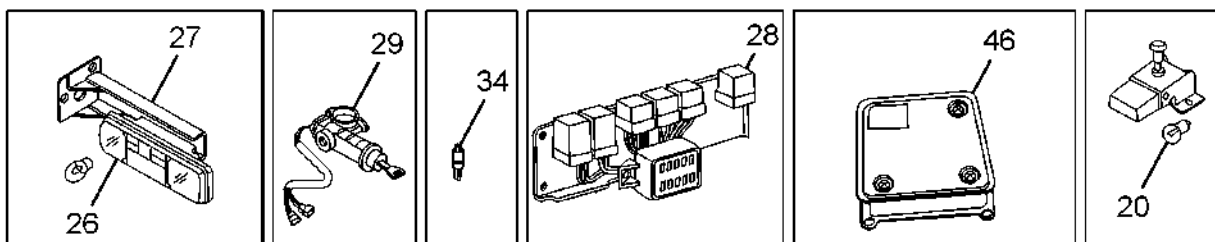
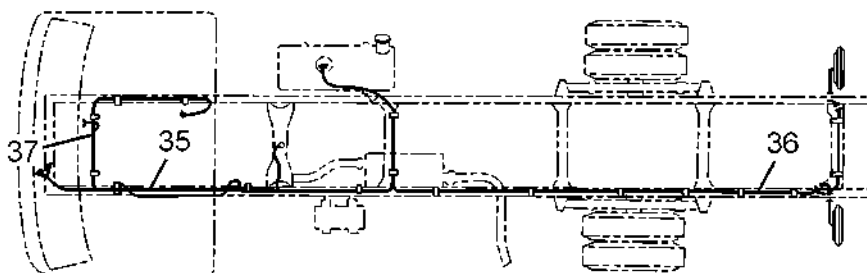
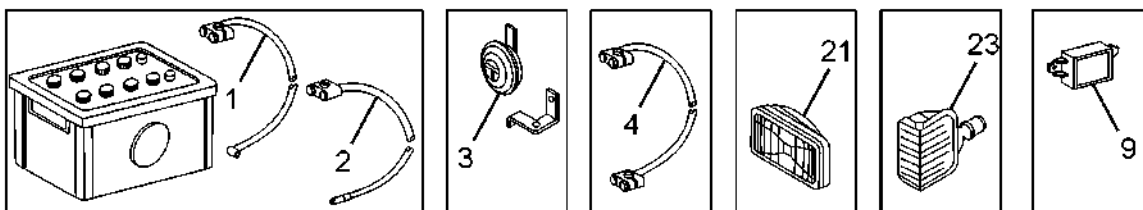
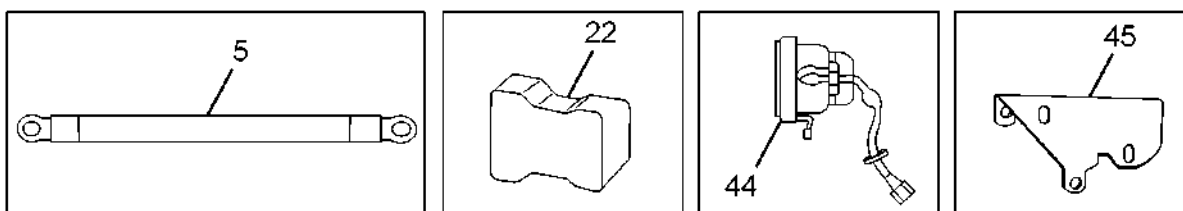
50.50.01		RADIATOR AND FITMENTS		GROUP 50	
CHASSIS TYPE: ALL					
FIG. NO.	PART NUMBER	DESCRIPTION	QTY	REMARKS	
1	278650100283	ASSY. RADIATOR	1		
—	278650109908	DRAIN COCK	1		
3	252550100301	ASSY. BRACKET LH (RAD FRAME MTG. ON LM)	1		
3	252550100299	ASSY. BRACKET RH (RAD FRAME MTG. ON LM)	1		
4	257450006904	SPACER TUBE (35 LONG)	2		
2	252550006301	RUBBER BUFFER	4		
5	257450009202	WASHER (47DIA)	4		
—	278650108301	SHIM 1THK	AR	FOR SELECTION	
—	278650108302	SHIM 2 THK	AR	FOR SELECTION	
—	278650108303	SHIM 3 THK	AR	FOR SELECTION	
6	252550100291	.ASSY.TIE ROD (RAD.FR.MTG.TOP ON LM)	2		
—	257450006906	SPACER TUBE (25.5 MM LONG)	2		
—	278650006302	RUBBER BUFFER	4		
—	278614609201	WASHER	4		
7	252550506320	FAN SHROUD	1		
9	252750100249	SET. ASSY. AUX. TANK & MTGS.	1		
10	252750108242	ASSY. PRESSURE VALVE CAP (7 PSI)	1		
11	252750108243	ASSY. PRESSURE VALVE CAP (14 PSI)	1		
14	252550005828	VENT TUBE (AUX. TANK TO UPPER COOLING WATER LINE)	1		
15	252550005829	VENT TUBE (AUX. TANK TO RADIATOR)	1		
18	252550000187	ASSY.RADIATOR FRAME WITH TOP IC MTG BRACKET	1		
19	252550103302	BRACKET LH (TIE ROD MOUNTING ON LONG MEMBER)	1		
19	252550103303	BRACKET RH (TIE ROD MOUNTING ON LONG MEMBER)	1		
25	252550005825	RUBBER HOSE , TANK TO TUBE TO RADIATOR	1		
27	252550106938	WATER FILL PIPE-II (AUX. TANK TO RAD)	1		
	252550005827	HOSE (268.6 ID X 100 LONG)	1		
24	252550106935	WATER FILL PIPE-II (AUX. TANK TO RAD)	1		
28	14280500454	HOSE CLAMP (45 DIA.)	2		
29	252550005826	HOSE (L = 115 MM)	1		

CHASSIS TYPE: ALL



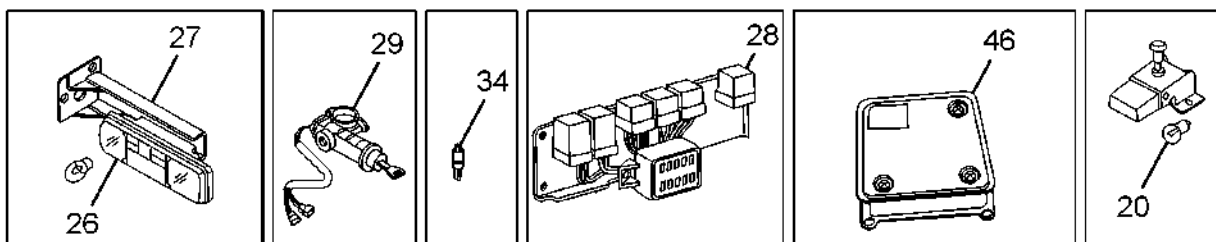
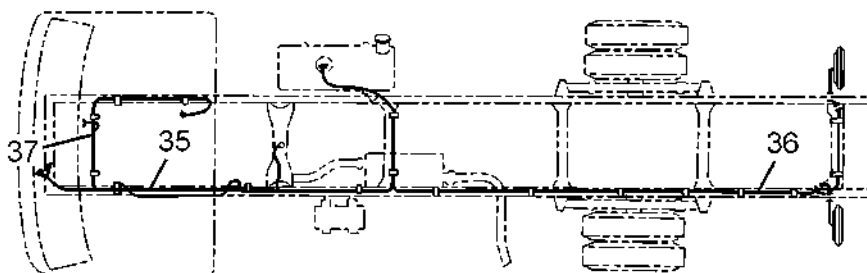
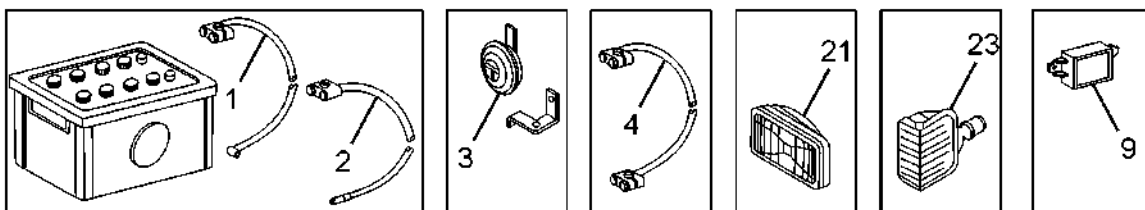
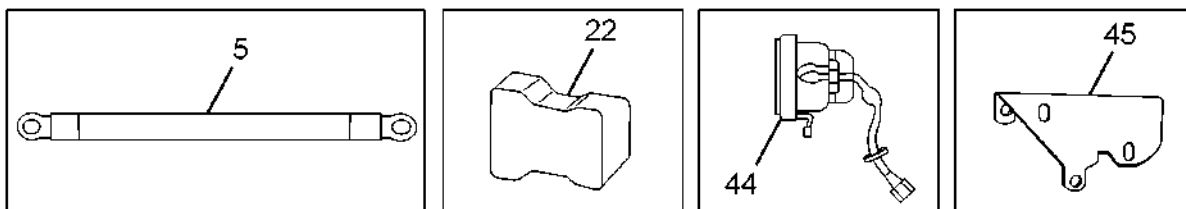
50.50.01		RADIATOR AND FITMENTS		GROUP 50
CHASSIS TYPE: ALL				
FIG. NO.	PART NUMBER	DESCRIPTION	QTY	REMARKS
31	252550005832	RADIATOR HOSE (RADIATOR TO WATER PUMP)	1	
32	252550100292	CONNECTOR (RADIATOR TO WATER PUMP)	1	
—	252550005833	RADIATOR HOSE (RADIATOR TO WATER PUMP)	1	
36	252550005831	RUBBER HOSE (THERMOSTAT TO RADIATOR)	1	
37	14280599302	HOSE CLAMP (TB 36)	4	
38	252550100345	ASSY SUPPORT (AUX. TANK MTG)	1	
	252750100216	ASSY SUPPORT (FOR MTG OF AUX. TANK MTG BKT)	2	
42	252750100214	CLAMP FRONT (AUX. TANK)	2	
	252750108225	CLAMP REAR (AUX TANK LPT 709)	2	

CHASSIS TYPE: 381226



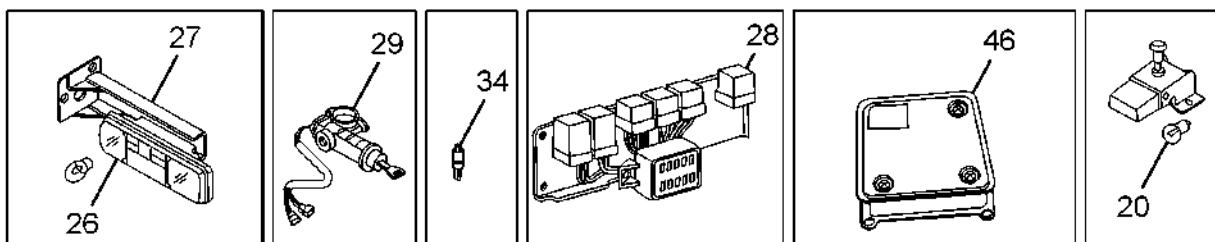
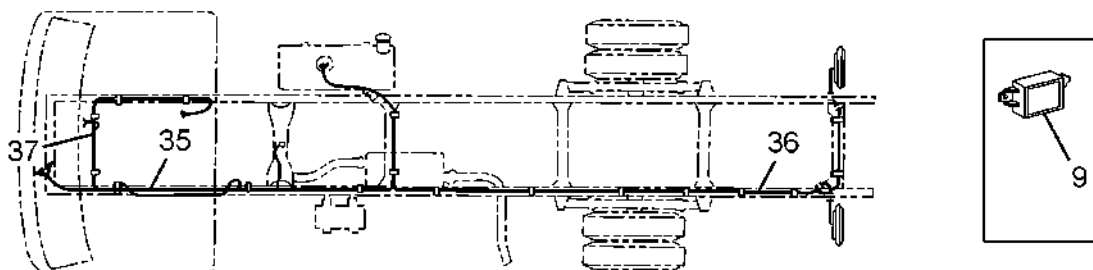
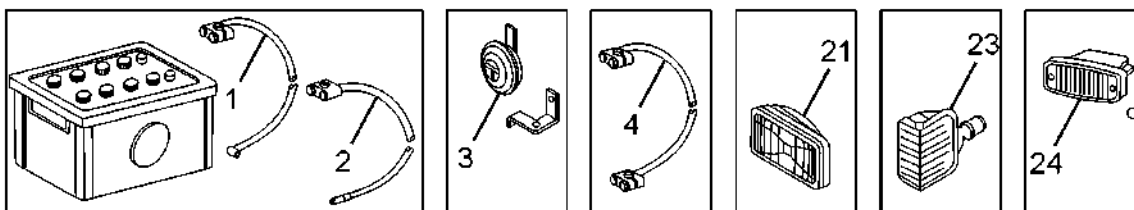
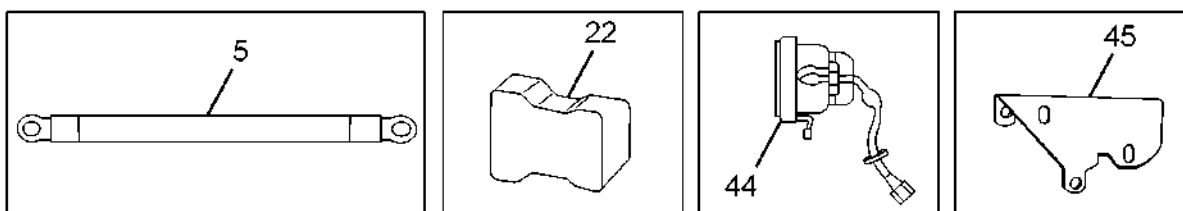
54.54.01A		LIGHT AND SIGNAL-1		GROUP 54
CHASSIS TYPE: 381226				
FIG. NO.	PART NUMBER	DESCRIPTION	QTY	REMARKS
1	264354100128	ASSY. BATTERY CABLE +VE	1	
2	264354100129	ASSY. BATTERY CABLE -VE	1	
4	277854100129	ASSY. BATTERY CABLE LINK	1	
5	264354100131	ASSY.BATT.CABLE W/COT +VE 70SQ.MM 1.5M	1	
5	264354100134	ASSY BATT CABLE -VE 1.3M W/COT 70SQMM	1	
3	261854240106	KIT HORN, (24V) CLEAR TONE	1	
9	264354249905	RELAY 24V NO/NC	1	
	264354249906	STARTER RELAY 24V,50A	1	
20	264154441601	ASSY.ENGINE LAMP W/24V BULB(LP709)	1	
21	264354440101	HEAD LAMP 24 V W/E-CERT. BULBS LH	1	
21	264354440102	HEAD LAMP 24 V W/E-CERT. BULBS RH	1	
22	264181100178	ASSY HEAD LAMP DOME	2	
23	270754440115	BLINKER LAMP LH, 'E' CERTIFIED, 24 V	1	
23	270754440114	BLINKER LAMP RH, 'E' CERTIFIED, 24 V	1	
26	280954440101	FIVE CHAMBER TAIL LAMP (24 V) LH	1	
26	280954440102	FIVE CHAMBER TAIL LAMP (24 V) RH	1	
27	264354400128	TAIL LAMP BRACKET LH	1	
27	264354400127	TAIL LAMP BRACKET RH	1	
28	264354249902	ELECTRONIC FLASHER 24 V	1	
29	264154500106	IGNITION CUM STEERING LOCK	1	
34	257454509953	MECH. STOP LIGHT SWITCH	1	
35	264354601609	W/H MAIN LHD 24V EURO-III,ABS,HD	1	
36	264354620173	W/H TAIL LPT613 34WB 24V III LHD	1	
—	264354620177	W/H PARK BRAKE SW.& SEAT BELT SW.-MSSL	1	
37	264354620172	W/H ENGINE LHD 24V EURO-III-MSSL	1	
—	280854620110	W/H PIG TAIL(FEEDPUMP) MSSL	1	
—	270654620114	WIRING HARNESS BACK LIGHTING	1	
—	270754620121	WIRING HARNESS BLOCK HEATER	1	
—	264354620174	W/H SENSOR LPT613 697TCIC EURO-III-MSSL	1	
—	264354620175	W/H SWITCH LHD 24V EURO-III-MSSL	1	
44	264354441601	ASSY FRONT FOG LAMP 24V	2	

CHASSIS TYPE: 381226



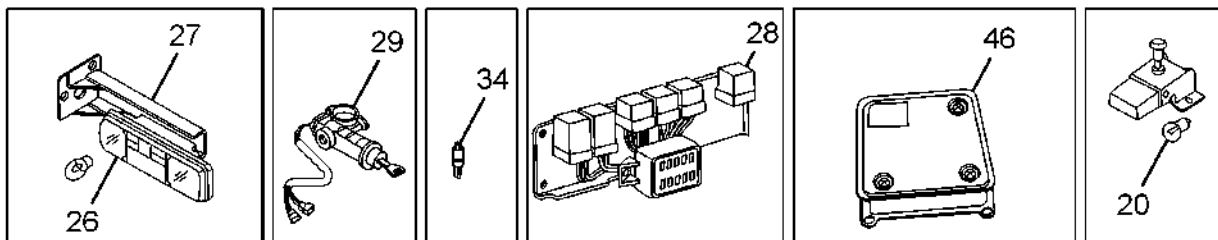
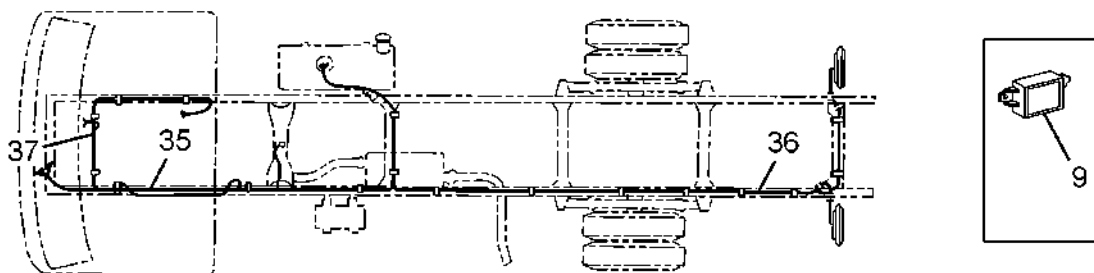
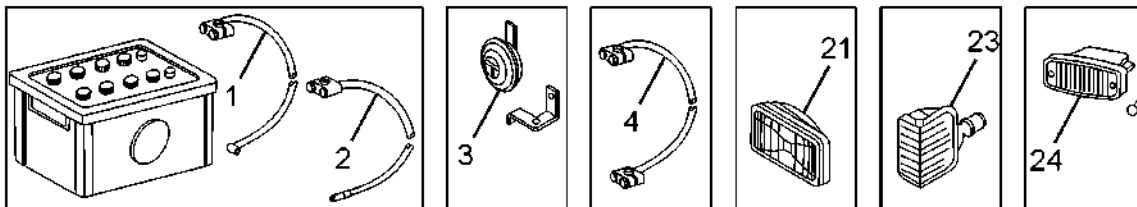
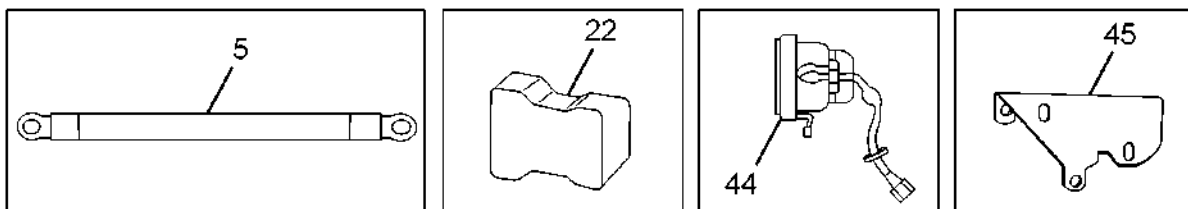
54.54.01A		LIGHT AND SIGNAL-1		GROUP 54
CHASSIS TYPE: 381226				
FIG. NO.	PART NUMBER	DESCRIPTION	QTY	REMARKS
45	264354400130	ASSY BRACKET -LH (FRONT FOG LAMP MTG.)	1	
45	264354400131	ASSY BRACKET -RH (FRONT FOG LAMP MTG.)	1	
46	264354249901	ELECTRONIC CONTROL UNIT - 24V	1	

CHASSIS TYPE: 381313



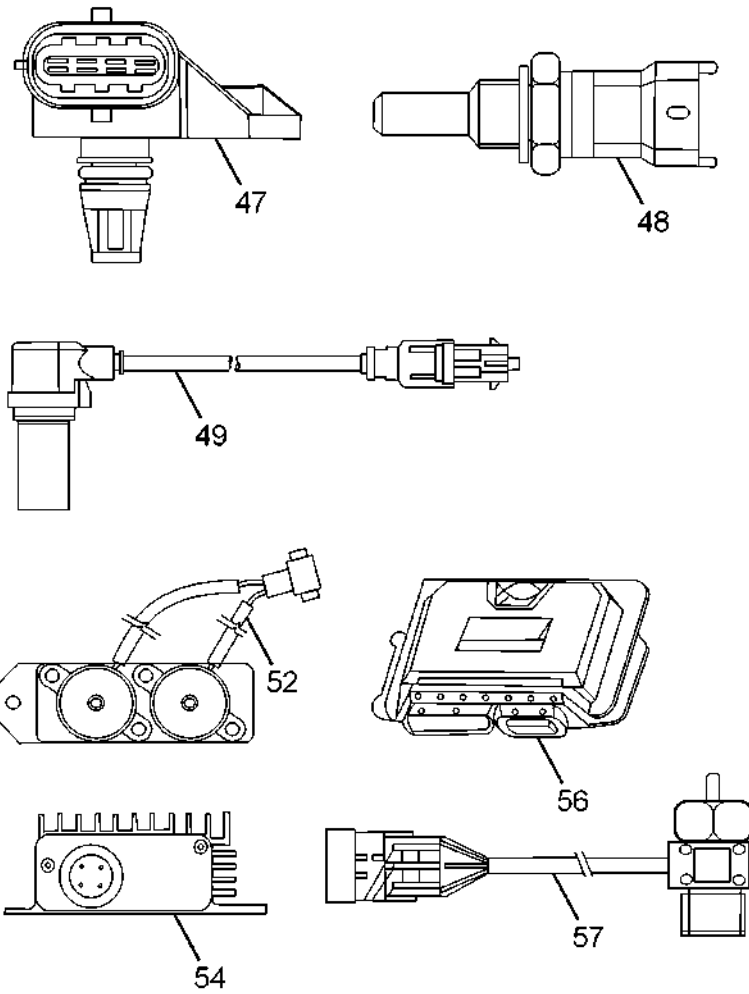
54.54.01B		LIGHT AND SIGNAL-1		GROUP 54
CHASSIS TYPE: 381313				
FIG. NO.	PART NUMBER	DESCRIPTION	QTY	REMARKS
1	264354100128	ASSY. BATTERY CABLE +VE	1	
2	264354100129	ASSY. BATTERY CABLE -VE	1	
4	277854100129	ASSY. BATTERY CABLE LINK	1	
5	264354100131	ASSY.BATT.CABLE W/COT +VE 70SQ.MM 1.5M	1	
5	264354100134	ASSY BATT CABLE -VE 1.3M W/COT 70SQMM	1	
3	261854240106	KIT HORN, (24V) CLEAR TONE	1	
9	264354249905	RELAY 24V NO/NC	1	
	264354249906	STARTER RELAY 24V,50A	1	
20	264154441601	ASSY.ENGINE LAMP W/24V BULB(LP709)	1	
21	264354440101	HEAD LAMP 24 V W/E-CERT. BULBS LH	1	
21	264354440102	HEAD LAMP 24 V W/E-CERT. BULBS RH	1	
22	264181100178	ASSY HEAD LAMP DOME	2	
23	270754440115	BLINKER LAMP LH, 'E' CERTIFIED, 24 V	1	
23	270754440114	BLINKER LAMP RH, 'E' CERTIFIED, 24 V	1	
24	264354440123	ASSY.SIDE IND.LH 24V E'CERT(CAT-6)	1	
24	264354440124	ASSY.SIDE IND.RH 24V E'CERT(CAT-6)	1	
26	280954440101	FIVE CHAMBER TAIL LAMP (24 V) LH	1	
26	280954440102	FIVE CHAMBER TAIL LAMP (24 V) RH	1	
27	264354400128	TAIL LAMP BRACKET LH	1	
27	264354400127	TAIL LAMP BRACKET RH	1	
28	264354249902	ELECTRONIC FLASHER 24 V	1	
29	264154500106	IGNITION CUM STEERING LOCK	1	
34	257454509953	MECH. STOP LIGHT SWITCH	1	
35	264354601609	W/H MAIN LHD 24V EURO-III,ABS,HD	1	
36	264354620173	W/H TAIL LPT613 34WB 24V III LHD	1	
—	264354620177	W/H PARK BRAKE SW.& SEAT BELT SW.-MSSL	1	
37	264354620172	W/H ENGINE LHD 24V EURO-III-MSSL	1	
—	280854620110	W/H PIG TAIL(FEEDPUMP) MSSL	1	
—	270654620114	WIRING HARNESS BACK LIGHTING	1	
—	270754620121	WIRING HARNESS BLOCK HEATER	1	

CHASSIS TYPE: 381313



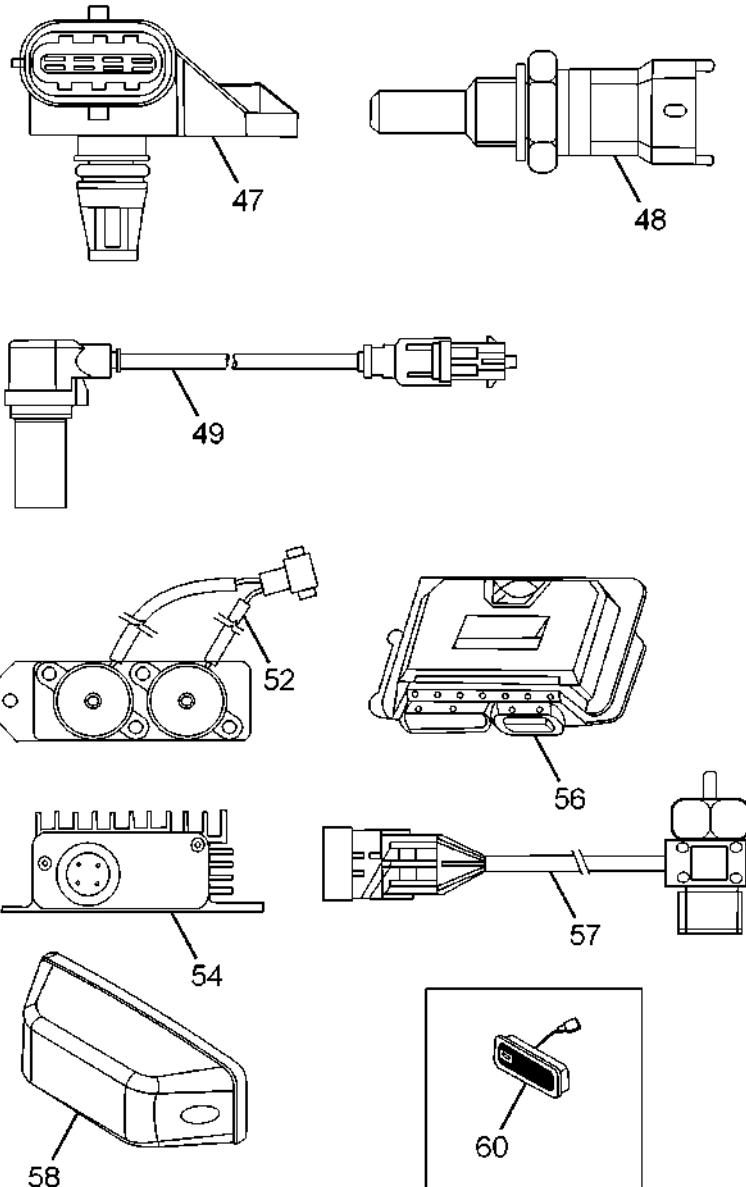
54.54.01B		LIGHT AND SIGNAL-1		GROUP 54	
CHASSIS TYPE: 381313					
FIG. NO.	PART NUMBER	DESCRIPTION	QTY	REMARKS	
—	264354620174	W/H SENSOR LPT613 697TCIC EURO-III-MSSL	1		
—	264354620175	W/H SWITCH LHD 24V EURO-III-MSSL	1		
44	264354441601	ASSY FRONT FOG LAMP 24V	2		
45	264354400130	ASSY BRACKET -LH (FRONT FOG LAMP MTG.)	1		
45	264354400131	ASSY BRACKET -RH (FRONT FOG LAMP MTG.)	1		
46	264354249901	ELECTRONIC CONTROL UNIT - 24V	1		

CHASSIS TYPE: 381226



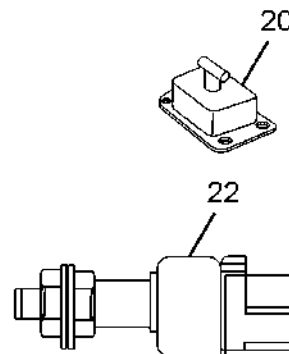
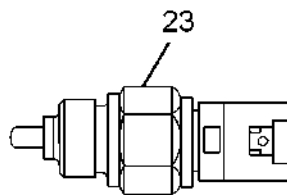
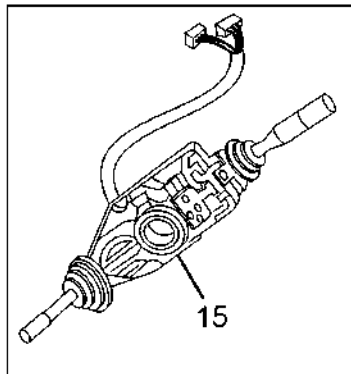
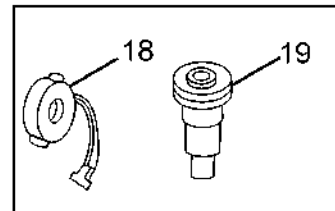
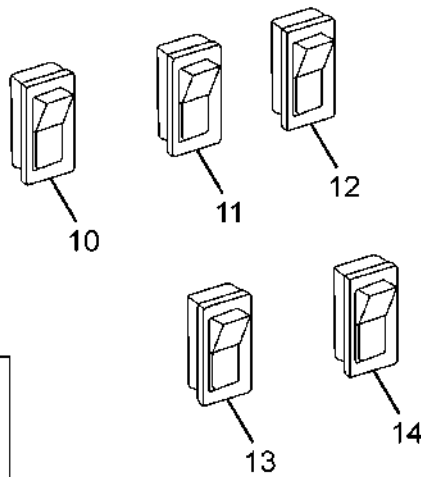
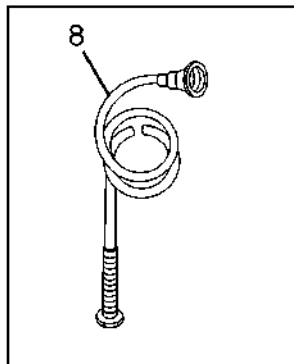
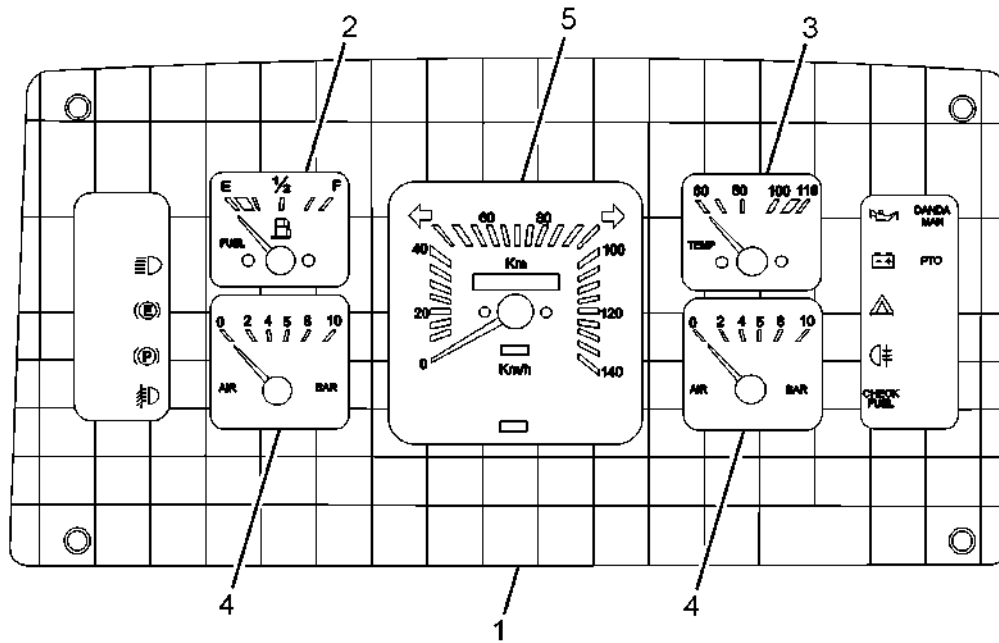
54.54.02A		LIGHT AND SIGNAL-2		GROUP 54
CHASSIS TYPE: 381226				
FIG. NO.	PART NUMBER	DESCRIPTION	QTY	REMARKS
47	264154209961	BOOST PRESSURE/TEMP SENSOR M/S.MICO	1	
48	264154209962	WATER TEMP SENSOR M/S.MICO	1	
49	264154209963	ENGINE SPEED SENSOR	1	
	270754249920	FLAME GLOW PLUG CONTROLLER 24V M/S.BERU	1	
	264354600115	W/H FRAME ASSY LPT613/38,24V,II,ABS,KB	1	
52	264354240105	SEAT BELT & CAB TILT WARNING ALARM-SRICH	1	
54	284954209909	DC-DC CONVERTER(20AMP)M/S.ACTIA.	1	
	264354200124	ASSY.BRACKET (DC-DC 10/18A COVERTOR MTG)	1	
56	264316100102	ECU FOR VP37 EURO-III SYSTEM M/S.MICO	1	
57	284254209907	VEHICLE SPEED SENSOR-VDO	1	

CHASSIS TYPE: 381313



54.54.02B		LIGHT AND SIGNAL-2		GROUP 54	
CHASSIS TYPE: 381313					
FIG. NO.	PART NUMBER	DESCRIPTION	QTY	REMARKS	
47	264154209961	BOOST PRESSURE/TEMP SENSOR M/S.MICO	1		
48	264154209962	WATER TEMP SENSOR M/S.MICO	1		
49	264154209963	ENGINE SPEED SENSOR	1		
	270754249920	FLAME GLOW PLUG CONTROLLER 24V M/S.BERU	1		
	264354600115	W/H FRAME ASSY LPT613/38,24V,II,ABS,KB	1		
52	264354240105	SEAT BELT & CAB TILT WARNING ALARM-SRICH	1		
54	284954209909	DC-DC CONVERTER(20AMP)M/S.ACTIA.	1		
	264354200124	ASSY.BRACKET (DC-DC 10/18A COVERTOR MTG)	1		
56	264316100102	ECU FOR VP37 EURO-III SYSTEM M/S.MICO	1		
57	284254209907	VEHICLE SPEED SENSOR-VDO	1		
58	264354440123	ASSY.SIDE IND.LH 24V E'CERT(CAT-6)JAY SW	1		
58	264354440124	ASSY.SIDE IND.RH 24V E'CERT(CAT-6)JAY SW	1		
60	280954440107	ASSY CAB LAMP(24V,W/BULB,PIANO SW.)AUTOL	1		

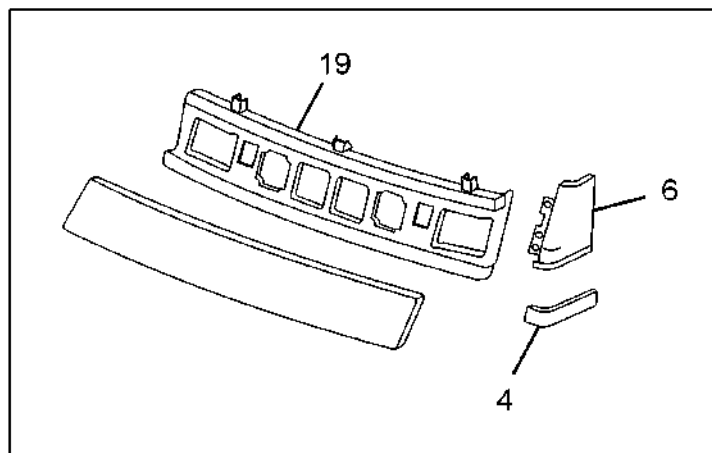
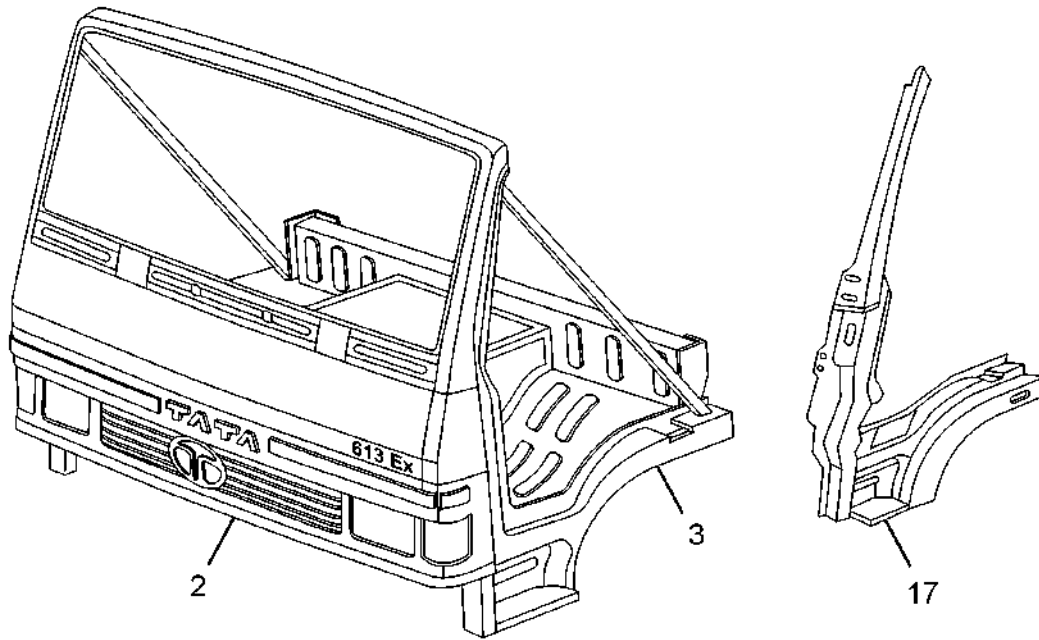
CHASSIS TYPE: 381226



54.54.03A		INSTRUMENT CLUSTER		GROUP 54
CHASSIS TYPE: 381226				
FIG. NO.	PART NUMBER	DESCRIPTION	QTY	REMARKS
1	264354240104	INST.CLUSTER-RATIO:0.6-LPT613-24V	1	
2	264154209984	FUEL GAUGE	1	
3	264154209985	TEMPERATURE GAUGE	1	
4	264154209991	AIR PRESSURE GAUGE	2	
5	264154209992	SPEEDOMETER RATIO 0.60	1	
8	264354209921	ASSY. SPEEDOCABLE (JIS) 3000 MM	1	
10	264154506911	PIANO SWITCH (EXHAUST BRAKE ON)	1	
11	264154506912	PIANO SWITCH (ENGINE LAMP)	1	
12	270654506901	PIANO SWITCH (FOG LAMP)	1	
13	264354506902	PIANO SW ABS W/O CONN	1	
14	275454506918	PIANO SWITCH (FRONT FOG LAMP)	1	
15	264354500101	ASSY. COMBI SWITCH	1	
—	269854500111	HEAD LAMP LEVELLING SWITCH (VERTICAL)	1	
19	257454509985	LOW PRESSURE SWITCH	3	
20	257354509931	BATTERY CUT OFF SWITCH	1	
	270754249920	FLAME GLOW PLUG CONTROLLER 24V M/S.BERU	1	
22	264154500135	DOUBLE CONTACT BRAKE SW.FOR EMS	1	
23	270254509960	REVERSE LIGHT SW.-SHUTHAM	1	

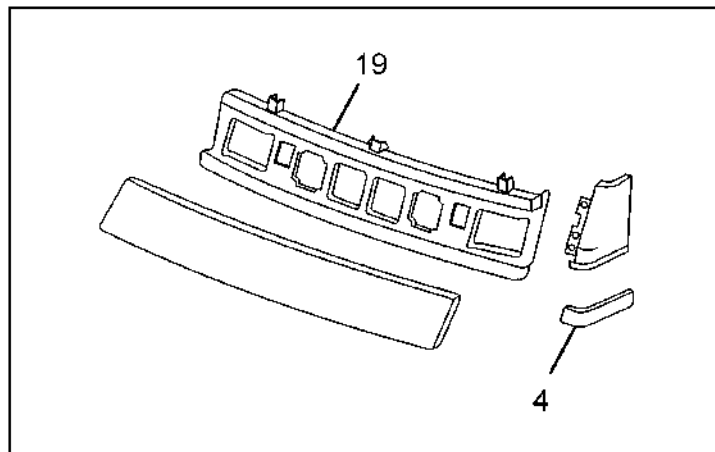
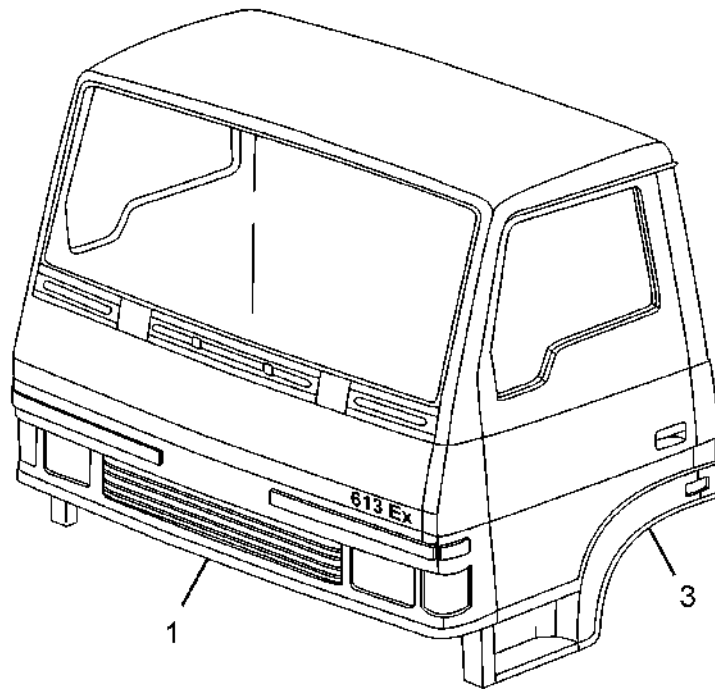
54.54.03B		INSTRUMENT CLUSTER		GROUP 54
CHASSIS TYPE: 381313				
FIG. NO.	PART NUMBER	DESCRIPTION	QTY	REMARKS
1	264354240104	INST.CLUSTER-RATIO:0.6-LPT613-24V	1	
2	264154209984	FUEL GAUGE	1	
3	264154209985	TEMPERATURE GAUGE	1	
4	264154209991	AIR PRESSURE GAUGE	2	
5	264154209992	SPEEDOMETER RATIO 0.60	1	
8	264354209921	ASSY. SPEEDOCABLE (JIS) 3000 MM	1	
—	283954440107	END OUTLINE MARKER LAMP(24V)	2	
10	264154506911	PIANO SWITCH (EXHAUST BRAKE ON)	1	
11	264154506912	PIANO SWITCH (ENGINE LAMP)	1	
12	270654506901	PIANO SWITCH (FOG LAMP)	1	
13	264354506902	PIANO SW ABS W/O CONN	1	
14	275454506918	PIANO SWITCH (FRONT FOG LAMP)	1	
15	264354500101	ASSY. COMBI SWITCH	1	
—	269854500111	HEAD LAMP LEVELLING SWITCH (VERTICAL)	1	
19	257454509985	LOW PRESSURE SWITCH	3	
20	257354509931	BATTERY CUT OFF SWITCH	1	
	270754249920	FLAME GLOW PLUG CONTROLLER 24V M/S.BERU	1	
22	264154500135	DOUBLE CONTACT BRAKE SW.FOR EMS	1	
23	270254509960	REVERSE LIGHT SW.-SHUTHAM	1	

CHASSIS TYPE: 381226



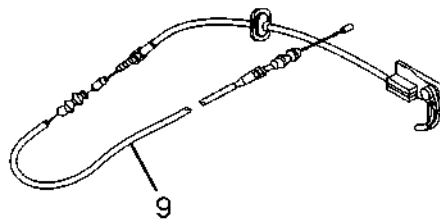
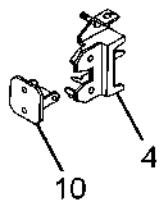
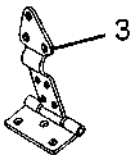
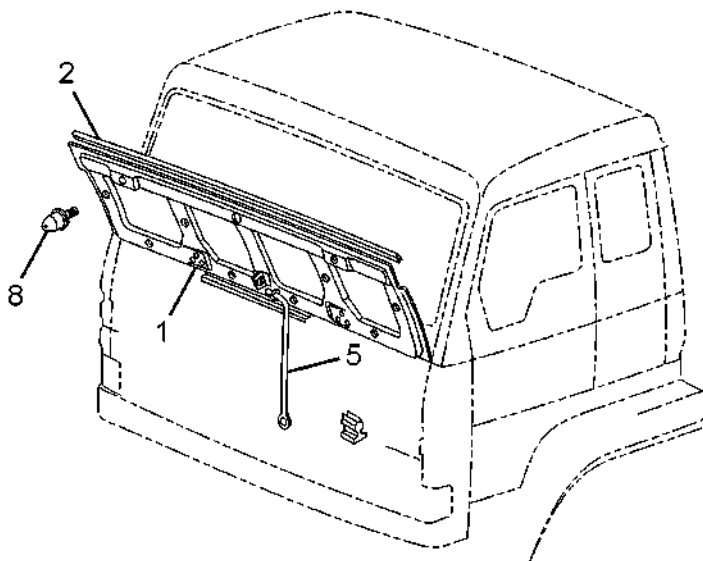
60.60.01A		COWL		GROUP 60
CHASSIS TYPE: 381226				
FIG. NO.	PART NUMBER	DESCRIPTION	QTY	REMARKS
2	264160000391	ASSY.COWL COMPLT.-LHD (613 E-III RUSSIA)	1	
-	264160000393	ASSY.COWL SHELL PAINTED-LHD	1	
3	264163100125	ASSY.FENDER INNER LH	1	
3	264163100126	ASSY.FENDER INNER RH	1	
4	264160100104	ASSY. PANEL CORNER BOTTOM LH	1	
4	264160100105	ASSY. PANEL CORNER BOTTOM RH	1	
6	274760100118	ASSY. OUTER PANEL CORNER (FRONT) LH	1	
6	274760100119	ASSY. OUTER PANEL CORNER (FRONT) RH	1	
17	264163000113	ASSY.SIDE WALL COMPLETE-LH LHD (COWL)	1	
17	264163000114	ASSY.SIDE WALL COMPLETE-RH LHD (COWL)	1	
19	264160110105	ASSY.SUPPORT FRONT (GRILL)-613LHD RUSSIA	1	

CHASSIS TYPE: 381313



60.60.01B		COWL		GROUP 60
CHASSIS TYPE: 381313				
FIG. NO.	PART NUMBER	DESCRIPTION	QTY	REMARKS
1	264160000392	ASSY.CAB COMPLT.-LHD (613 E-III RUSSIA)	1	
-	264160000394	ASSY.BODY SHELL PAINTED-LHD	1	
3	264163108253	FENDER OUTER LH	1	
3	264163108254	FENDER OUTER RH	1	
4	264160100104	ASSY. PANEL CORNER BOTTOM LH	1	
4	264160100105	ASSY. PANEL CORNER BOTTOM RH	1	
-	264163000111	ASSY. SIDE WALL COMPLETE LH	1	
-	264163000112	ASSY. SIDE WALL COMPLETE RH	1	
19	264160110105	ASSY.SUPPORT FRONT (GRILL)-613LHD RUSSIA	1	

CHASSIS TYPE: ALL



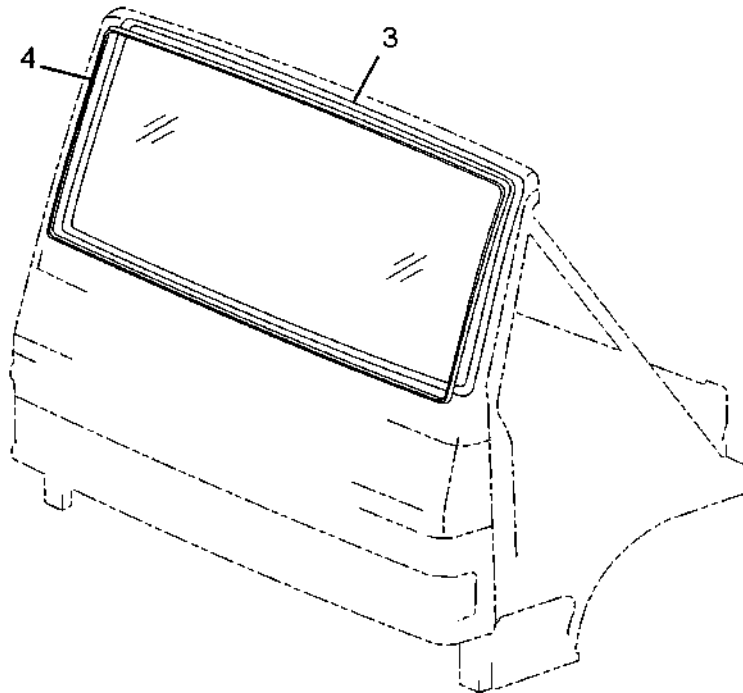
60.60.02		CENTRE FLAP		GROUP 60	
CHASSIS TYPE: ALL					
FIG. NO.	PART NUMBER	DESCRIPTION	QTY	REMARKS	
1	267375100101	ASSY. CENTRE FLAP	1		
2	264188806302	BEADING FRONT PANEL	1		
3	264175200116	ASSY. HINGE (CENTRE FLAP)	2		
4	264175200107	ASSY. LOCK (CENTRE FLAP)	2		
5	264175200119	ASSY. STAY ROD	1		
8	265188700113	ASSY. RUBBER BUFFER	2		
9	264175200125	ASSY. RELEASE CABLE (CENTRE FLAP)	1		
10	264175200122	ASSY. STRIKER (CENTRE FLAP)	1		

60.67.01A

WINDSHIELD GLASS

GROUP 67

CHASSIS TYPE: 381226

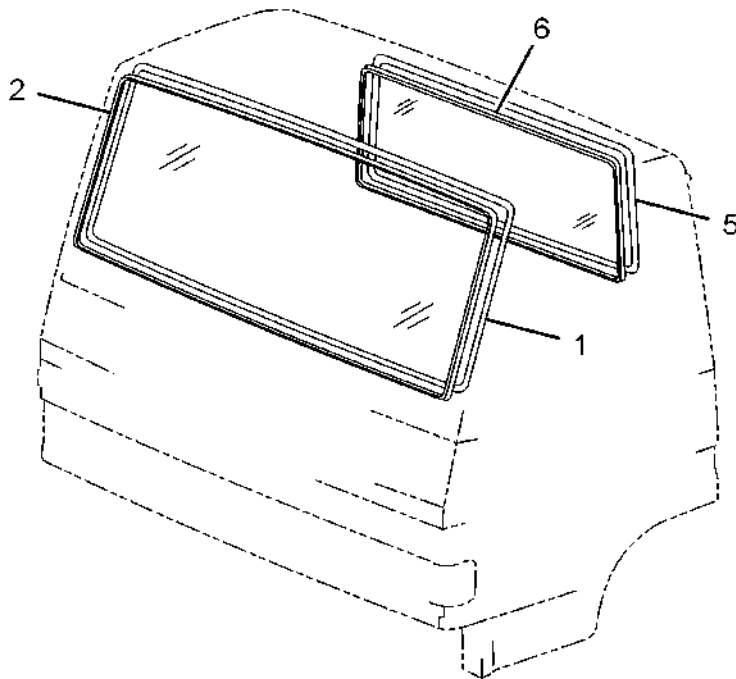


60.67.01A WINDSHIELD GLASS GROUP 67

CHASSIS TYPE: 381226

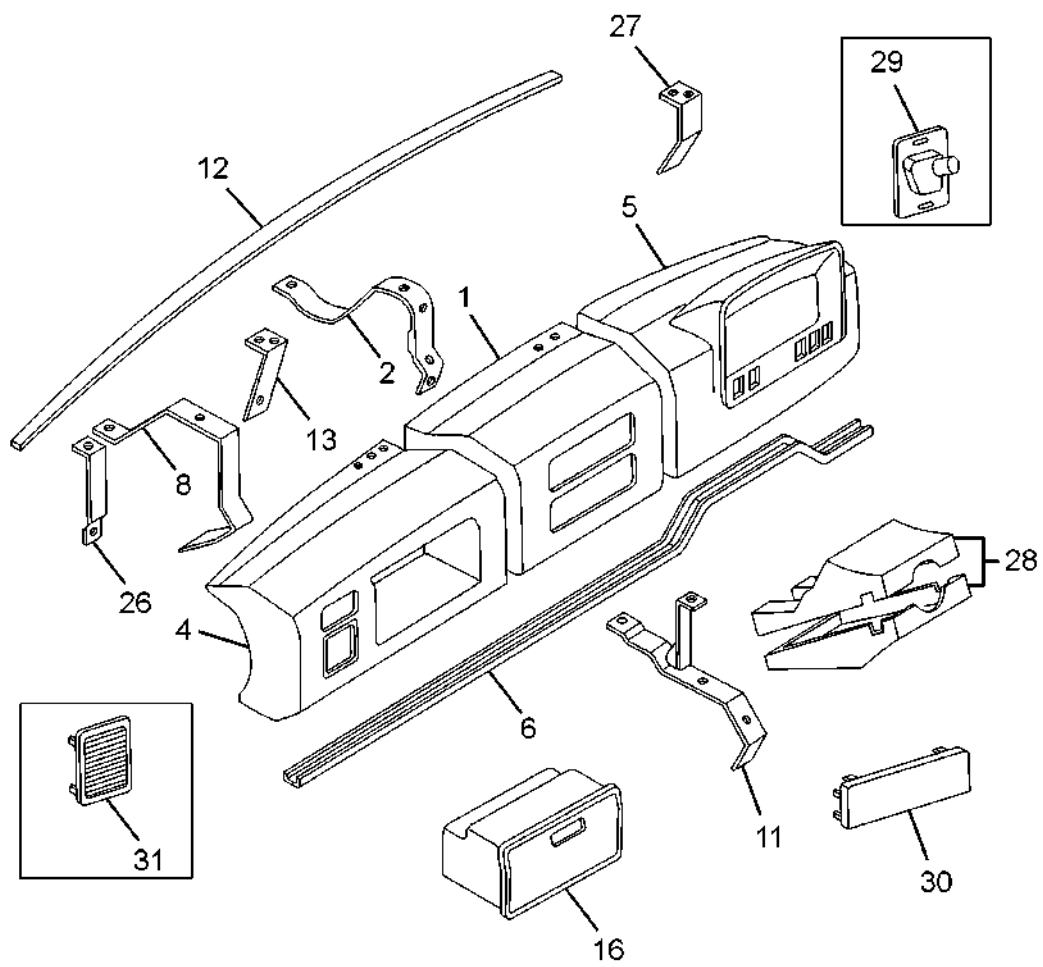
FIG. NO.	PART NUMBER	DESCRIPTION	QTY	REMARKS
3	264167106304	RUBBER MOULD (W/S GLASS 6.7 THK.)	1	
4	264167102305	WIND SHIELD GLASS.(LAM.'E' CERTIFIED)	1	

CHASSIS TYPE: 381313



60.67.01B		WINDSHIELD GLASS		GROUP 67	
CHASSIS TYPE: 381313					
FIG. NO.	PART NUMBER	DESCRIPTION	QTY	REMARKS	
1	264167106305	RUBBER MOULD (5.76 THK W/S GLASS)	1		
2	274767102301	WINDSHIELD GLASS (5.76 THK.)	1		
5	265167806301	RUBBER MOULD REAR WINDOW	1		
6	264167802302	GLASS PANE(RR.WINDOW)-COLD TEMP.APPLN.	1		

CHASSIS TYPE: ALL



60.68.01		DASHBOARD		GROUP 68
CHASSIS TYPE: ALL				
FIG. NO.	PART NUMBER	DESCRIPTION	QTY	REMARKS
—	264168910107	ASSY. DASHBOARD COMPLETE	1	
1	264168906374	DASHBOARD (CENTRE) (GREY)	1	
—	265183100166	ASSY.DEFROST DUCT COMPLETE	1	
—	264168900158	ASSY.REINFORCEMENT (DASHBOARD)-LHD	1	
2	264168900128	ASSY. REINFORCEMENT MIDDLE LH	1	
2	264168900129	ASSY. REINFORCEMENT MIDDLE RH	1	
4	215068906302	DASHBOARD LH (GREY)	1	
5	264168906373	DASHBOARD RH (GREY)	1	
6	274768908205	REINFORCEMENT (FRONT)	1	
—	264168900131	ASSY. REINFORCEMENT INSIDE (GLOVE BOX)	1	
8	264168900132	ASSY. REINFORCEMENT OUTSIDE (GLOVE BOX)	1	
11	264168900134	ASSY. REINFORCEMENT (OUTSIDE)	1	
12	264168900135	ASSY. REINFORCEMENT TOP	1	
13	264168900160	ASSY. BRACKET (DASHBOARD MTG.)	2	
16	264168900195	ASSY. GLOVE BOX (GREY)	1	
26	264168900147	ASSY. BRACKET LH	1	
27	264168900114	ASSY. BRACKET RH	1	
—	264168906365	COVER (T - EMBLEM) DASHBOARD	1	
28	274768900122	SET OF NACELLE GRAY)	1	
29	264168906357	COVER CLUTCH FLUID BOTTLE	1	
30	265168916314	COVER RADIO CUT OUT	1	
31	264168906367	SPEAKER GRILL	2	

60.69.01

FLOOR MAT LINING

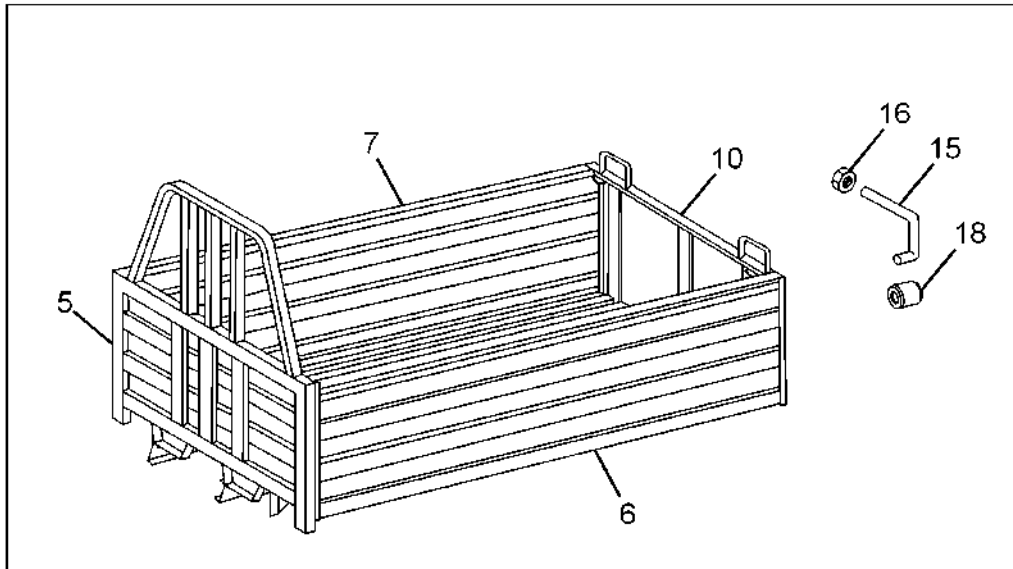
GROUP 69

CHASSIS TYPE: 381313

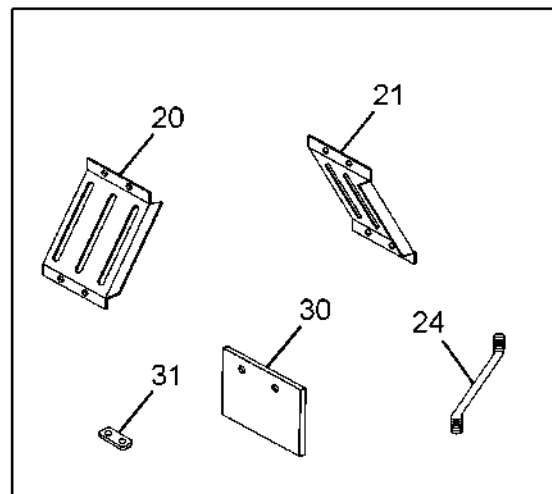
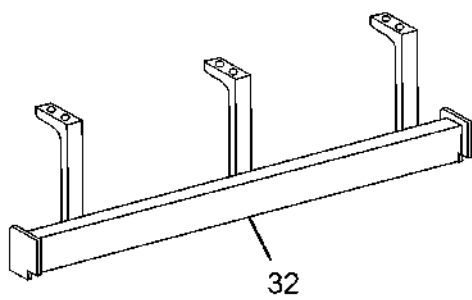
NO IMAGE

60.69.01		FLOOR MAT LINING		GROUP 69
CHASSIS TYPE: 381313				
FIG. NO.	PART NUMBER	DESCRIPTION	QTY	REMARKS
	264168400107	KIT FLOOR MAT	1	OPTIONAL
	264168400108	KIT FLOOR MAT	1	OPTIONAL
	274769000104	KIT FOR ROOF AND SIDE LINING	1	

CHASSIS TYPE: 381313

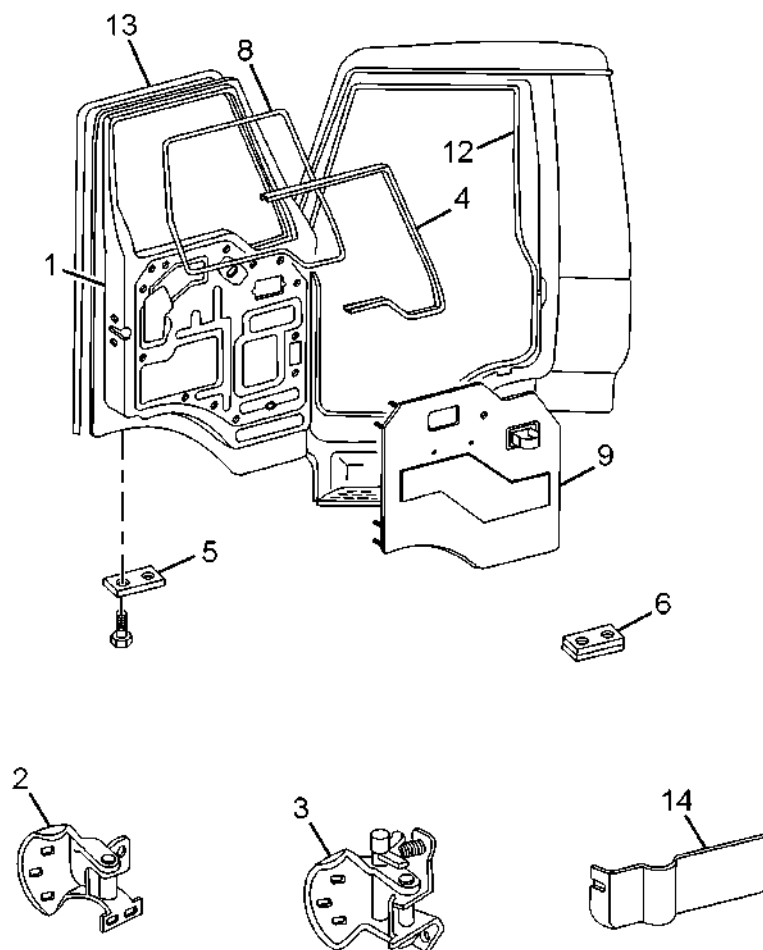


1



60.70.01		LOAD BODY		GROUP 70	
CHASSIS TYPE: 381313					
FIG. NO.	PART NUMBER	DESCRIPTION	QTY	REMARKS	
1	264170000102	ASSY. LOAD BODY (WITH BOLTED SIDE PANELS)	1		
5	264170200101	ASSY. FRONT PANEL WITH LOAD GUARD	1		
6	264170300103	ASSY. SIDE PANEL LH	1		
7	264170300104	ASSY. SIDE PANEL RH	1		
10	264170400101	ASSY. TAIL GATE	1		
15	265170905601	HANDLE LH	1		
15	265170905605	HANDLE RH	1		
16	12051596011	HEX NUT M 12	2		
18	265170900105	ASSY. STOPPER (REAR)	2		
20	264070108210	MUDGUARD LH	2		
21	264070108211	MUDGUARD RH	2		
24	264070108298	MUDGUARD STAY (REAR)	8		
30	264081100101	ASSY. MUD FLAP (REAR)	2		
31	265170900107	ASSY. RUBBER PACKING	8		
31	264170900101	ASSY. RUBBER PACKING	2		
—	265170906305	PACKING	6		
—	257389109201	WASHER	24		
32	264170100188	ASSY SIDE GUARD LH	1		
32	264170100195	ASSY SIDE GUARD RH	1		
—	264170100176	ASSY SUPPORT (SIDE GUARD)	6		
—	257354410136	ASSY REFLEX REFLECTOR	6		
—	264754400123	END OUTLINE MARKER LAMP	2	OPTIONAL	
—	264754400120	END OUTLINE MARKER LAMP	2	OPTIONAL	
—	264754400138	ASSY SIDE MAR LAMP E'CERT W/RR	6		

CHASSIS TYPE: 381313



60.72.01		DOOR (LPT 613)		GROUP 72	
CHASSIS TYPE: 381313					
FIG. NO.	PART NUMBER	DESCRIPTION	QTY	REMARKS	
1	264172200135	ASSY. DOOR SHELL LH	1		
1	274772200105	ASSY. DOOR SHELL RH	1		
2	264172300111	ASSY. HINGE TOP LH (DOOR)	1		
2	264172300112	ASSY. HINGE TOP RH (DOOR)	1		
3	264172300118	ASSY. HINGE BOTTOM LH (DOOR)	1		
3	264172300119	ASSY. HINGE BOTTOM RH (DOOR)	1		
4	264172200113	ASSY. GUIDE CHANNEL LH	1		
4	264172200114	ASSY. GUIDE CHANNEL RH	1		
5	264172300124	ASSY. DOVETAIL BOTTOM (DOOR)	2		
6	264172306303	DOVETAIL BOTTOM (BODY SIDE)	2		
8	264172502501	VELVET CHANNEL	2		
9	264172700101	ASSY. PADDING DOOR LH	1	OPTIONAL	
9	264172700103	ASSY. PADDING DOOR LH	1	OPTIONAL	
9	264172700102	ASSY. PADDING DOOR RH	1	OPTIONAL	
9	264172700104	ASSY. PADDING DOOR RH	1	OPTIONAL	
-	264172506307	WEATHER STRIP LH	2		
-	264172506308	WEATHER STRIP RH	2		
12	264172300122	ASSY. SEALING MOULD LH (OUTER)	1		
12	264172300123	ASSY. SEALING MOULD RH (OUTER)	1		
13	264172300137	ASSY. SEALING INNER LH	1		
13	264172300138	ASSY. SEALING INNER RH	1		
14	265472706317	MAGAZINE POCKET (GREY) LH	1		
14	265472706318	MAGAZINE POCKET (GREY) RH	1		
—	264172300140	ASSY. DOOR STRAP FRONT	2		
	265468900189	ASSY ASH TRAY	2		
	267881106305	REFLEX REFLECTER	2		

60.72.02A

DOOR LOCK

GROUP 72

CHASSIS TYPE: 381226

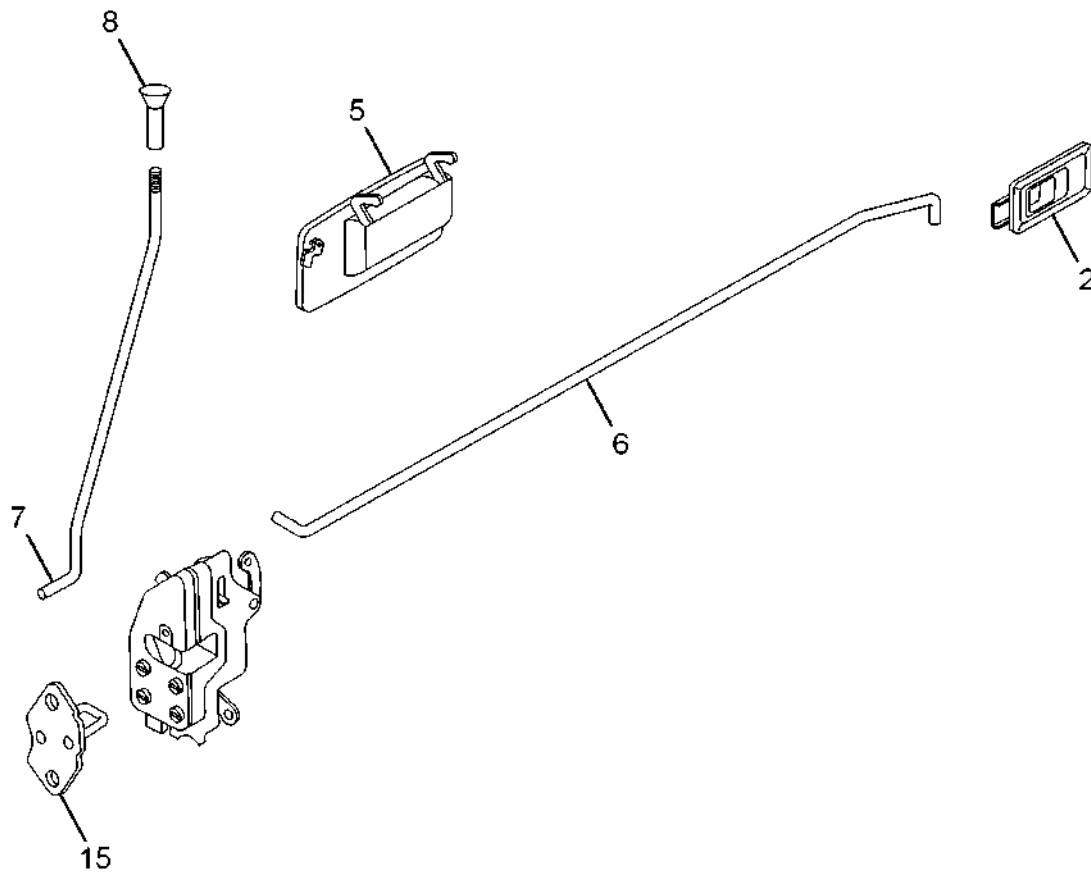
NO IMAGE

60.72.02A DOOR LOCK GROUP 72

CHASSIS TYPE: 381226

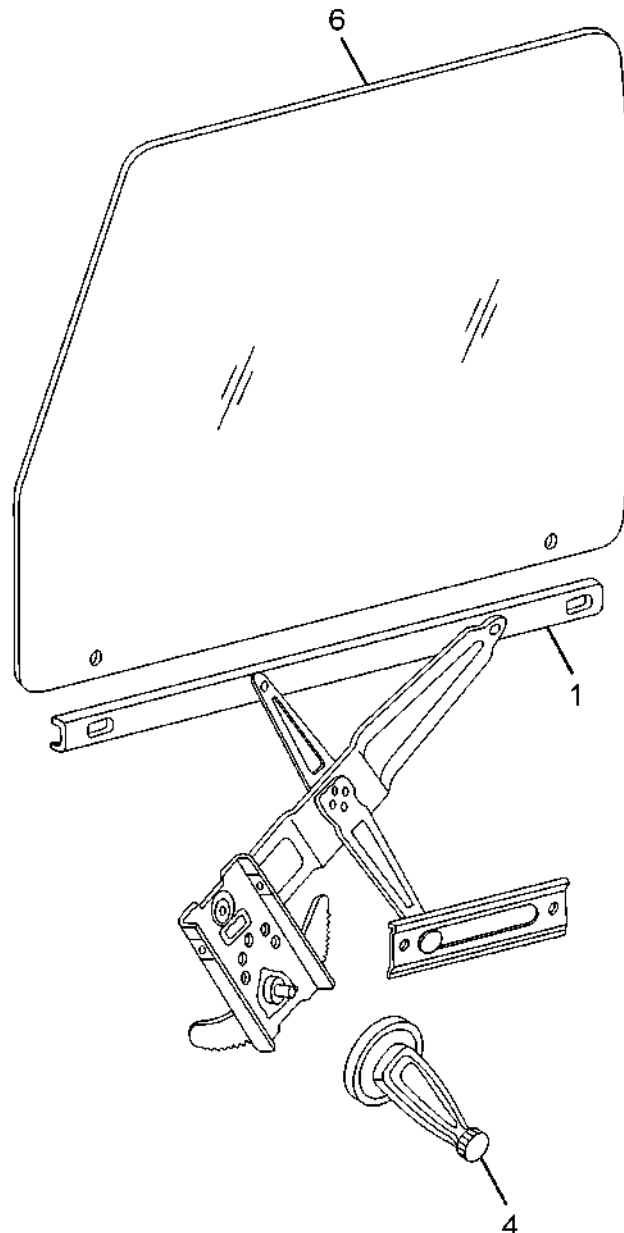
FIG. NO.	PART NUMBER	DESCRIPTION	QTY	REMARKS
	265168900185	KIT FOR LOCKS (COWL) CONSISTING OF :	1	
	-	ASSY KEY	1	
	-	STEERING CUM IGNITION SWITCH	1	
	-	ASSY.GLOVE BOX LOCK.	1	

CHASSIS TYPE: 381313



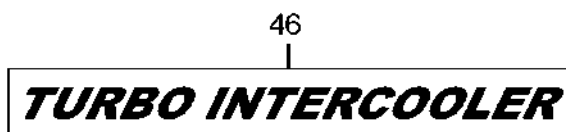
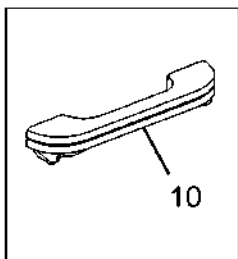
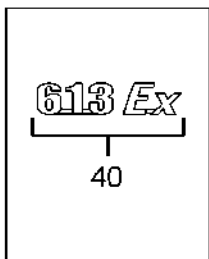
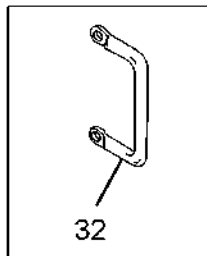
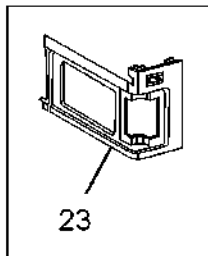
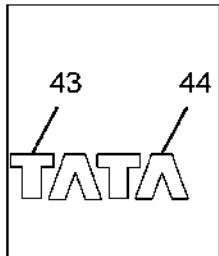
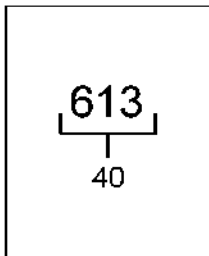
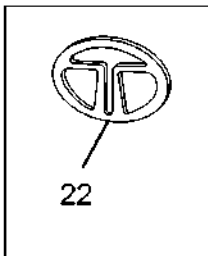
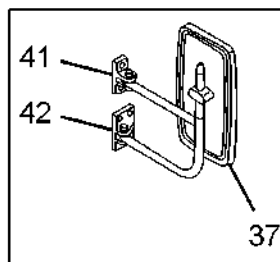
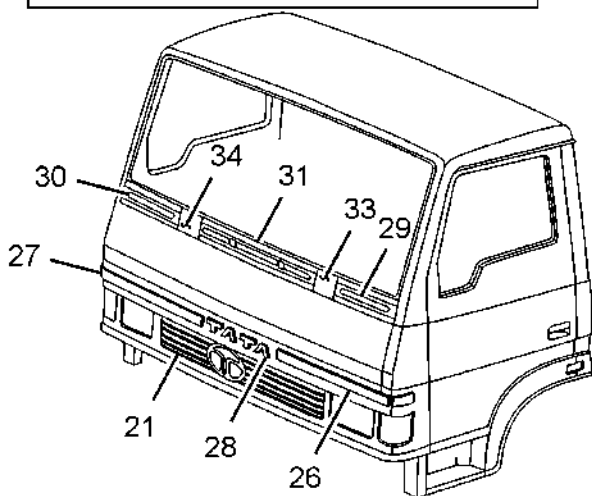
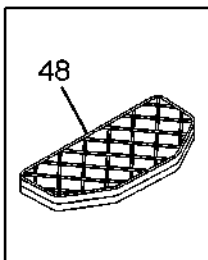
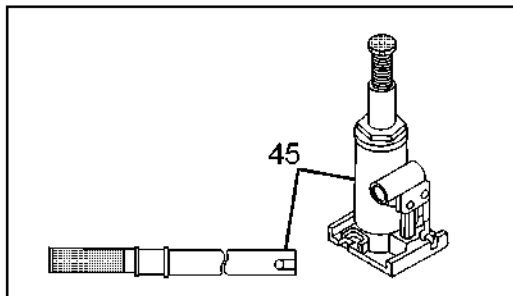
60.72.02B		DOOR LOCK		GROUP 72
CHASSIS TYPE: 381313				
FIG. NO.	PART NUMBER	DESCRIPTION	QTY	REMARKS
		DOOR LOCK LH		
2	265872300117	ASSY. INNER HANDLE	1	
5	265472300124	ASSY. OUTER HANDLE LH	1	
6	264172306004	LINK LH (INNER HANDLE)	1	
7	264172306006	LINK (POP - UP KNOB) LH	1	
8	264172306302	KNOB (INNER LOCK)	1	
15	265872300182	ASSY. STRIKER (DOOR LOCK)	1	
		DOOR LOCK RH		
2	265872300117	ASSY. INNER HANDLE	1	
5	265472300125	ASSY. OUTER HANDLE RH	1	
6	264172306005	LINK RH (INNER HANDLE)	1	
7	264172306007	LINK RH (POP-UP KNOB)	1	
8	264172306302	KNOB (INNER LOCK)	1	
15	265872300182	ASSY. STRIKER (DOOR LOCK)	1	
—	264172300131	KIT FOR LOCKS (MINDA) CAB , CONSISTS OF :-	1	
5	-	ASSY. OUTER DOOR HANDLE LH	1	
5	-	ASSY. OUTER DOOR HANDLE RH	1	
	-	ASSY. KEY	2	
	-	ASSY. GLOVE BOX LOCK	1	
	-	STEERING LOCK CUM IGNITION SWITCH	1	

CHASSIS TYPE: 381313



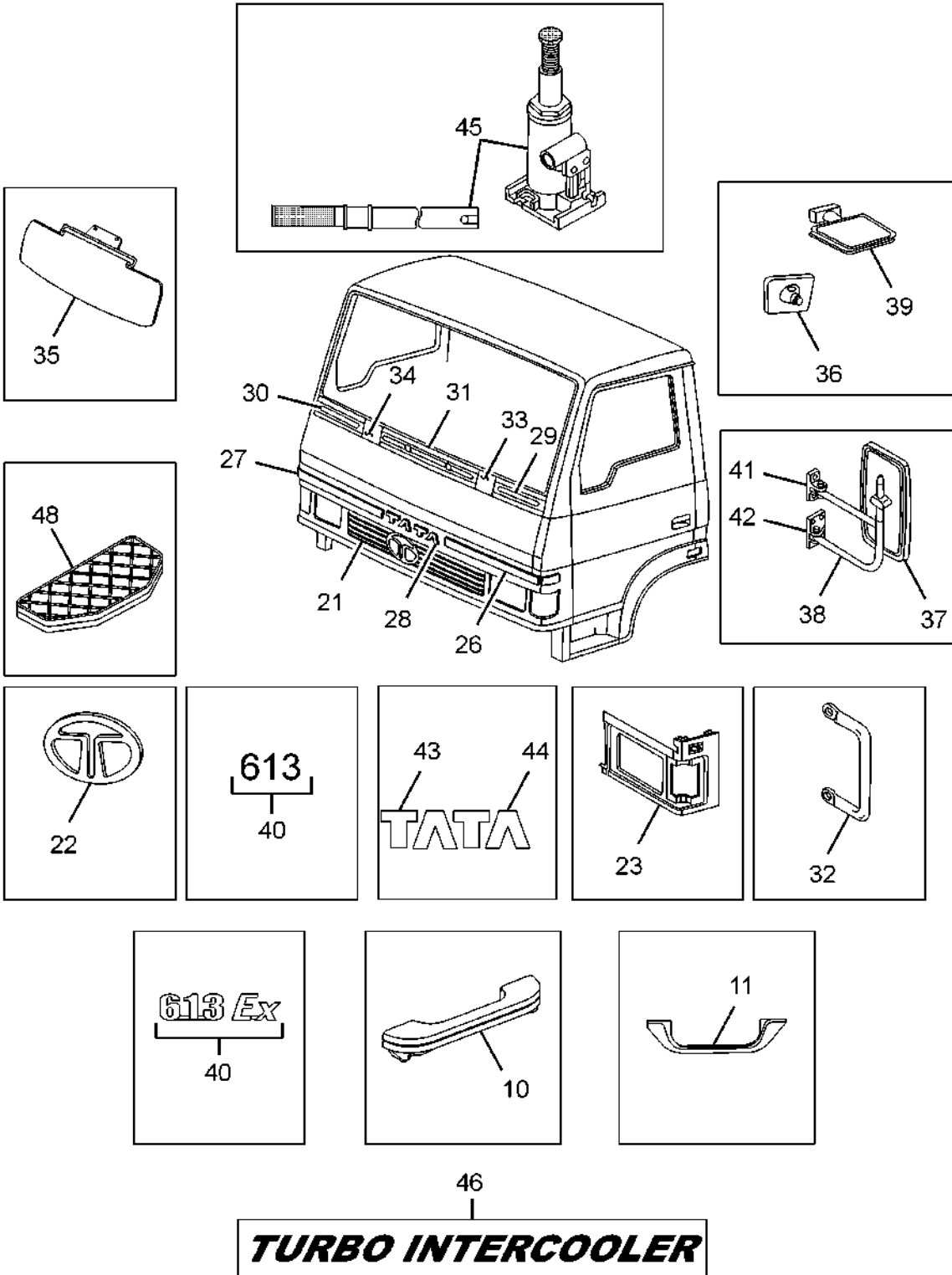
60.72.03		WINDOW REGULATOR AND GLASS		GROUP 72	
CHASSIS TYPE: 381313					
FIG. NO.	PART NUMBER	DESCRIPTION	QTY	REMARKS	
1	264172500111	ASSY.WINDOW REGULATOR-LH(LPT-613 RUSSIA)	1		
1	264172500112	ASSY.WINDOW REGULATOR-RH(LPT-613 RUSSIA)	1		
4	265472300162	ASSY. HANDLE (WINDING REGULATOR)	2		
6	274772502301	DOOR GLASS LH ('E' CERTIFIED)	1		
6	274772502302	DOOR GLASS RH ('E' CERTIFIED)	1		

CHASSIS TYPE: 381226



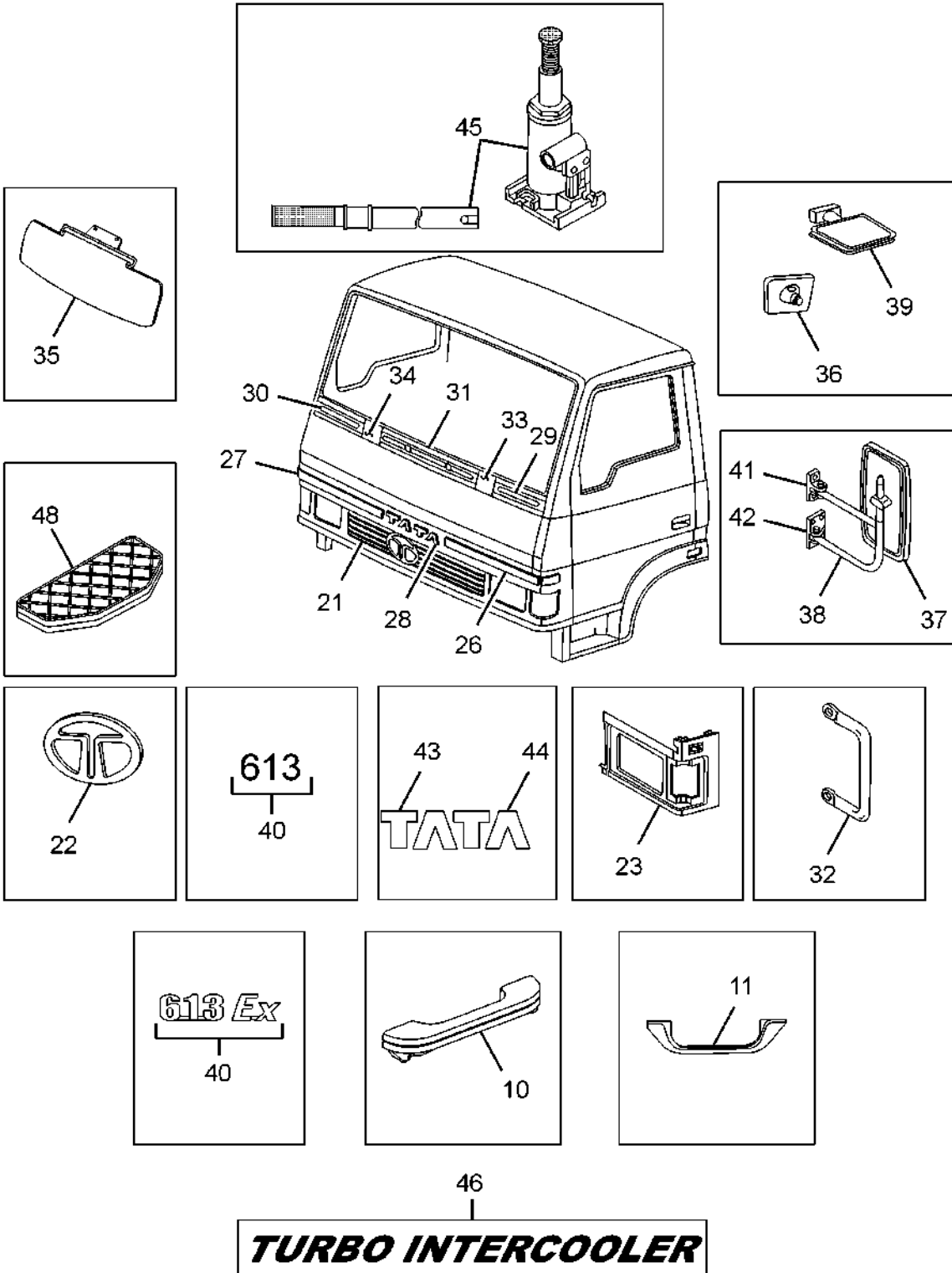
60.81.01A		INTERNAL AND EXTERNAL FITMENTS	GROUP 81	
CHASSIS TYPE: 381226				
FIG. NO.	PART NUMBER	DESCRIPTION	QTY	REMARKS
21	264181906302	CENTRE GRILL (FRONT)	1	
22	264181900127	'T' EMBLEM OVAL STYLISED	1	
23	264181900101	ASSY. BAZZLE RH	1	
23	264181900102	ASSY. BAZZLE LH	1	
—	264181900115	ASSY. COVER BAZZLE RH	1	
—	264181900114	ASSY. COVER BAZZLE LH	1	
26	264181900150	ASSY. COVER SIDE LH (CENTER FLAP)	1	
27	264181900151	ASSY. COVER SIDE RH (CENTER FLAP)	1	
28	264181900159	ASSY. COVER CENTRE (WITH TATA LETTERS)	1	
29	264181906332	GRILL LH	1	
30	264181906333	GRILL RH	1	
31	264181906331	GRILL MIDDLE	1	
32	264181900167	ASSY.GRAB HANDLE (FOR RUSSIA VEH)	2	
10	274781100107	ASSY.GRAB HANDLE	2	
33	264181100175	ASSY. COVER LH (CENTRE FLAP HINGE)	1	
34	264181100176	ASSY. COVER RH (CENTRE FLAP HINGE)	1	
37	257681100153	REAR VIEW MIRROR OUTSIDE LH	1	
37	257681100152	REAR VIEW MIRROR OUTSIDE RH	1	
41	264181103802	BRACKET TOP RH.(R.V.M.)	1	
41	264181103801	BRACKET TOP LH. (R.V.M.)	1	
42	264181103804	BRACKET BOTTOM RH.(R.V.M.)	1	
42	264181103803	BRACKET BOTTOM LH.(R.V.M.)	1	
—	264181106321	BEADING (FIRE WALL)	1	
—	264181106323	BOTTOM BEADING (CENTRE FLAP)	1	
40	264181900183	ASSY.MASCOT "613 EX"	1	
43	265181006304	ASSY. LETTER 'T'	2	
44	265181006305	ASSY. LETTER 'A'	2	
45	264158904001	HYDRAULIC JACK 4T	1	
46	264181906337	STICKER "TURBO INTERCOOLER"	1	
	264181100177	ASSY.LID LHD	1	
48	264160118203	STEP BOARD	1	

CHASSIS TYPE: 381313



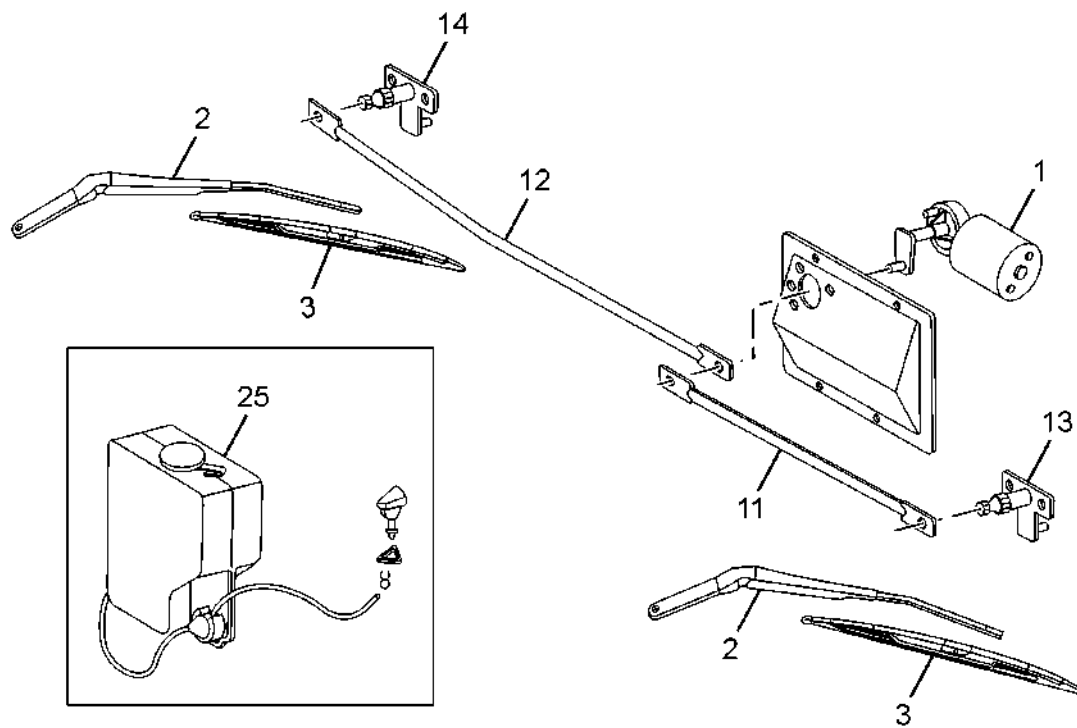
60.81.01B		INTERNAL AND EXTERNAL FITMENTS	GROUP 81	
CHASSIS TYPE: 381313				
FIG. NO.	PART NUMBER	DESCRIPTION	QTY	REMARKS
21	264181906302	CENTRE GRILL (FRONT)	1	
22	264181900127	'T' EMBLEM OVAL STYLISED	1	
23	264181900101	ASSY. BAZZLE RH	1	
23	264181900102	ASSY. BAZZLE LH	1	
—	264181900115	ASSY. COVER BAZZLE RH	1	
—	264181900114	ASSY. COVER BAZZLE LH	1	
26	264181900150	ASSY. COVER SIDE LH (CENTER FLAP)	1	
27	264181900151	ASSY. COVER SIDE RH (CENTER FLAP)	1	
28	264181900159	ASSY. COVER CENTRE (WITH TATA LETTERS)	1	
29	264181906332	GRILL LH	1	
30	264181906333	GRILL RH	1	
31	264181906331	GRILL MIDDLE	1	
32	264181900167	ASSY.GRAB HANDLE (FOR RUSSIA VEH)	2	
10	274781100107	ASSY.GRAB HANDLE	2	
11	265172506316	GRAB HANDLE (ON DOOR)	2	
33	264181100175	ASSY. COVER LH (CENTRE FLAP HINGE)	1	
34	264181100176	ASSY. COVER RH (CENTRE FLAP HINGE)	1	
35	257581100101	ASSY.SUNVISOR RH	1	
35	257581100102	ASSY.SUNVISOR LH	1	
36	257681100146	ASSY PROXIMITY MIRROR	1	
37	257681100153	REAR VIEW MIRROR OUTSIDE LH	1	
37	257681100152	REAR VIEW MIRROR OUTSIDE RH	1	
38	264181100165	ASSY.FRAME COMPLETE REAR VIEW MIRROR	2	
39	274781100119	ASSY REAR VIEW MIRROR OUTER(WIDE ANGLE)	1	
41	264181103802	BRACKET TOP RH.(R.V.M.)	1	
41	264181103801	BRACKET TOP LH. (R.V.M.)	1	
42	264181103804	BRACKET BOTTOM RH.(R.V.M.)	1	
42	264181103803	BRACKET BOTTOM LH.(R.V.M.)	1	
—	264181106321	BEADING (FIRE WALL)	1	
—	264181106323	BOTTOM BEADING (CENTRE FLAP)	1	
40	264181900183	ASSY.MASCOT "613 EX"	1	
43	265181006304	ASSY. LETTER 'T'	2	
44	265181006305	ASSY. LETTER 'A'	2	

CHASSIS TYPE: 381313



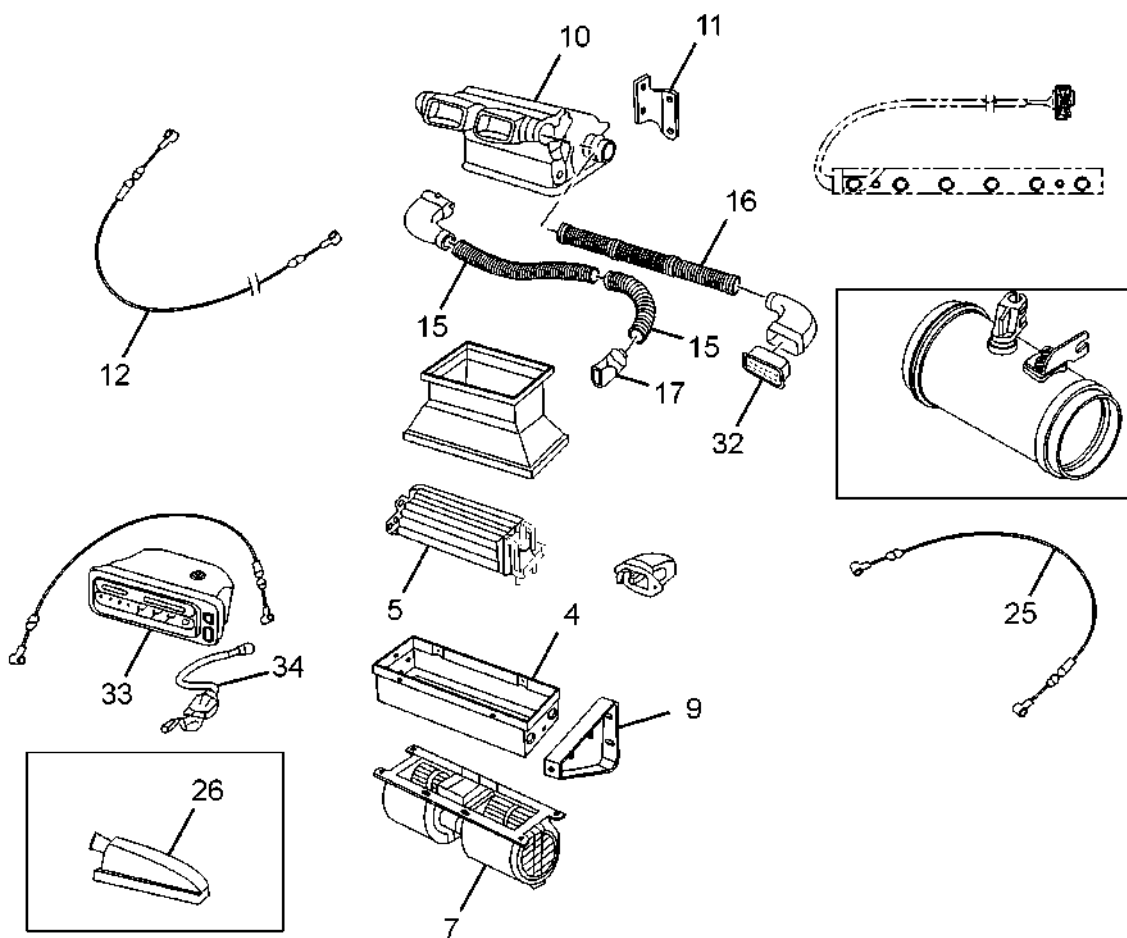
60.81.01B		INTERNAL AND EXTERNAL FITMENTS		GROUP 81
CHASSIS TYPE: 381313				
FIG. NO.	PART NUMBER	DESCRIPTION	QTY	REMARKS
45	264158904001	HYDRAULIC JACK 4T	1	
46	264181906337	STICKER "TURBO INTERCOOLER"	1	
48	264160118203	STEP BOARD	1	

CHASSIS TYPE: ALL



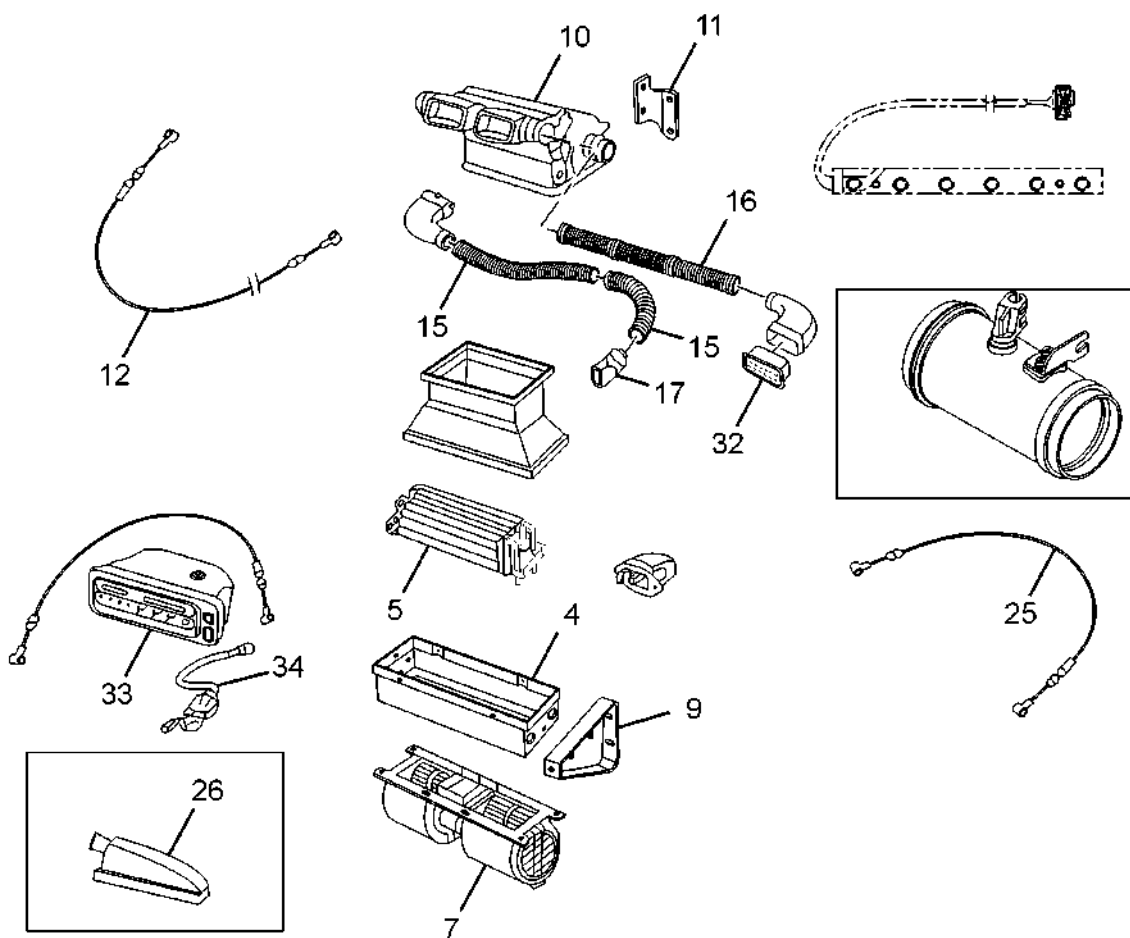
60.82.01		WIPER MOTOR AND LINKAGES		GROUP 82
CHASSIS TYPE: ALL				
FIG. NO.	PART NUMBER	DESCRIPTION	QTY	REMARKS
1	264382400109	WIPER MOTOR WITH BKT LHD, 24 V, 17W - HI - POWER	1	
2	264182400110	ASSY. WIPER ARM	2	
3	278082400101	ASSY. WIPER BLADE	2	
—	264182409906	HEX. SCREW	2	
—	264182400138	KIT FOR ACCESSORIES WIPER (LUCAS) CONSISTING OF :	1	
13	-	ASSY WHEEL BOX [58.13 MM]	1	
12	-	ASSY LINK [792]	1	
11	-	ASSY.LINK (183)	1	
14	-	ASSY.WHEEL BOX (C0-DRIVER - 45)	1	
25	264182400170	KIT W/S WASHER UNIT 24V LHD	1	

CHASSIS TYPE: 381226



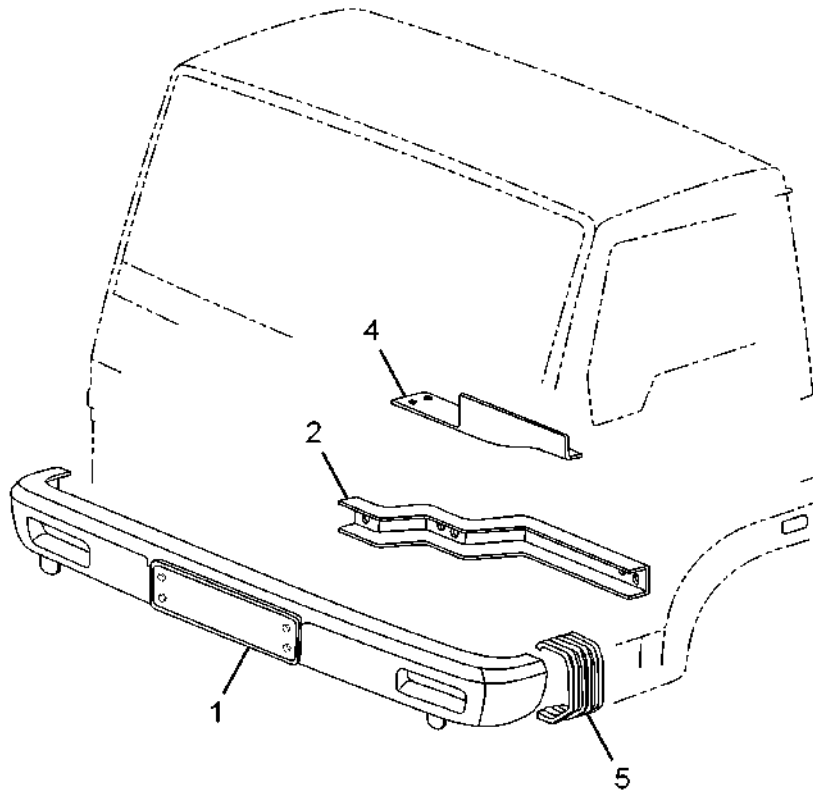
60.83.01A		CAB HEATING		GROUP 83
CHASSIS TYPE: 381226				
FIG. NO.	PART NUMBER	DESCRIPTION	QTY	REMARKS
4	264183100130	ASSY. COIL HOUSING	1	
5	264183400103	ASSY.HEATER COIL COMPL. (SUB.)	1	
7	270754740101	ASSY.TWIN BLOWER WITH MSSSL TERS & HSG.24V	1	
—	265183400135	ASSY.STRIP (TWIN BLOWER MTG.)	2	
9	264183500105	ASSY. BKT.FOR COIL HSG.MTG. R.H.	1	
9	264183500106	ASSY. BKT.FOR COIL HSG. MTG. L.H.	1	
10	265183100111	ASSY.PLENUM CHAMBER COMPLETE - RHD	1	
11	264183100120	ASSY.BRACKET (PLENUM MTG.) RH	1	
11	264183100119	ASSY.BRACKET (PLENUM MTG.) LH	1	
12	265983300159	ASSY.PUSH PULL CABLE -BLACK	1	
15	265483106362	HOSE (LEG ROOM CONNECTOR)	2	
16	265483106322	HOSE [VENTILATION]	2	
17	265483106350	DIFFUSER(LEG ROOM VENTILATION)	2	
-	265483300177	HOSE CLAMP-25	6	
25	264183300110	ASSY.PUSH PULL CABLE(LEG VENT CONTROL)	1	
26	265183306307	CONTROL COVER (LP-709) HTR	1	
32	265168900152	ASSY. VENTILATION NOZZLE	2	
33	265168910118	ASSY.CONTROL BRACKET-HTR.(LP-709)	1	
34	265454700159	BLOWER SWITCH	1	
-	264754620136	WIRING HARNESS BACK LIGHTING	1	
—	265983306338	CONTROL KNOB	4	

CHASSIS TYPE: 381313



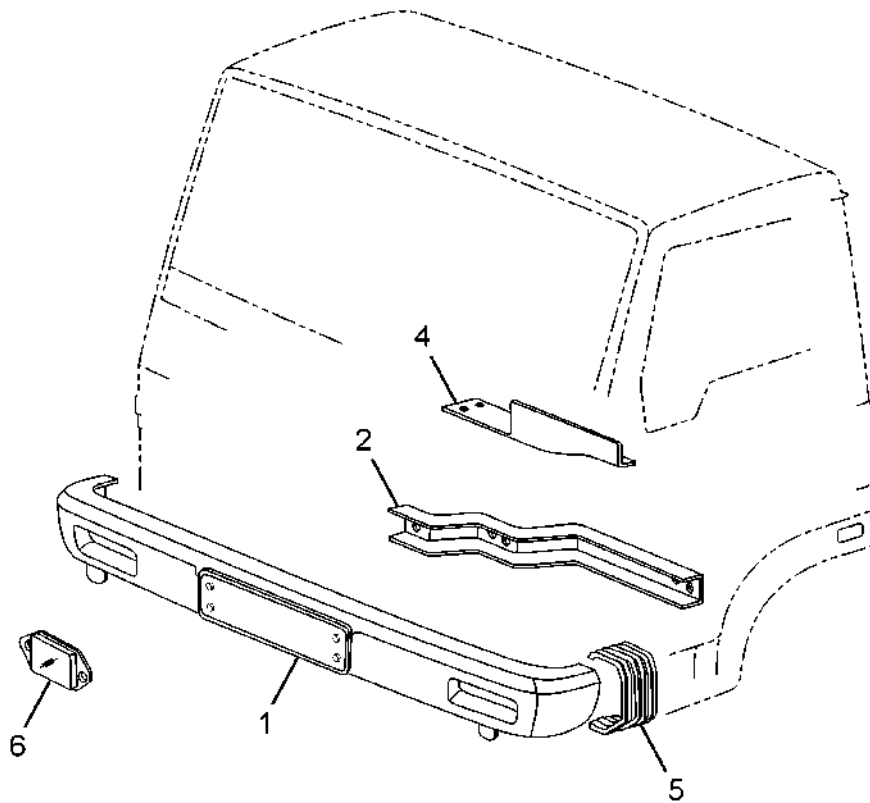
60.83.01B		CAB HEATING		GROUP 83
CHASSIS TYPE: 381313				
FIG. NO.	PART NUMBER	DESCRIPTION	QTY	REMARKS
4	264183100130	ASSY. COIL HOUSING	1	
5	264183400103	ASSY.HEATER COIL COMPL. (SUB.)	1	
7	270754740101	ASSY.TWIN BLOWER WITH MSSL TERS & HSG.24V	1	
—	265183400135	ASSY.STRIP (TWIN BLOWER MTG.)	2	
9	264183500105	ASSY. BKT.FOR COIL HSG.MTG. R.H.	1	
9	264183500106	ASSY. BKT.FOR COIL HSG. MTG. L.H.	1	
10	265183100111	ASSY.PLENUM CHAMBER COMPLETE - RHD	1	
11	264183100120	ASSY.BRACKET (PLENUM MTG.) RH	1	
11	264183100119	ASSY.BRACKET (PLENUM MTG.) LH	1	
12	265983300159	ASSY.PUSH PULL CABLE -BLACK	1	
15	265483106362	HOSE (LEG ROOM CONNECTOR)	2	
16	265483106322	HOSE [VENTILATION]	2	
17	265483106350	DIFFUSER(LEG ROOM VENTILATION)	2	
-	265483300177	HOSE CLAMP-25	6	
25	264183300110	ASSY.PUSH PULL CABLE(LEG VENT CONTROL)	1	
26	265183306307	CONTROL COVER (LP-709) HTR	1	
32	265168900152	ASSY. VENTILATION NOZZLE	2	
33	264168910125	ASSY.CONTROL BRKT.COMPLT-HTR	1	
33	265168910118	ASSY.CONTROL BRACKET-HTR.(LP-709)	1	
34	265454700159	BLOWER SWITCH	1	
-	264754620136	WIRING HARNESS BACK LIGHTING	1	
—	265983306338	CONTROL KNOB	4	

CHASSIS TYPE: 381226



60.88.01A		BUMPER		GROUP 88
CHASSIS TYPE: 381226				
FIG. NO.	PART NUMBER	DESCRIPTION	QTY	REMARKS
1	26418850010821	ASSY BUMPER COMPLETE EX PAINTED -COWL	1	OPTIONAL
1	26418850010822	ASSY BUMPER COMP BLACK POWDER COAT-COWL	1	OPTIONAL
2	264188500101	ASSY. SUPPORT LH (BUMPER MTG.)	1	
2	264188500102	ASSY. SUPPORT RH (BUMPER MTG.)	1	
4	264188500110	ASSY. BRACKET LH (BUMPER MTG.)	1	
4	264188500111	ASSY. BRACKET RH (BUMPER MTG.)	1	
5	264188500118	ASSY. END COVER LH	1	
5	264188500119	ASSY. END COVER RH	1	

CHASSIS TYPE: 381313

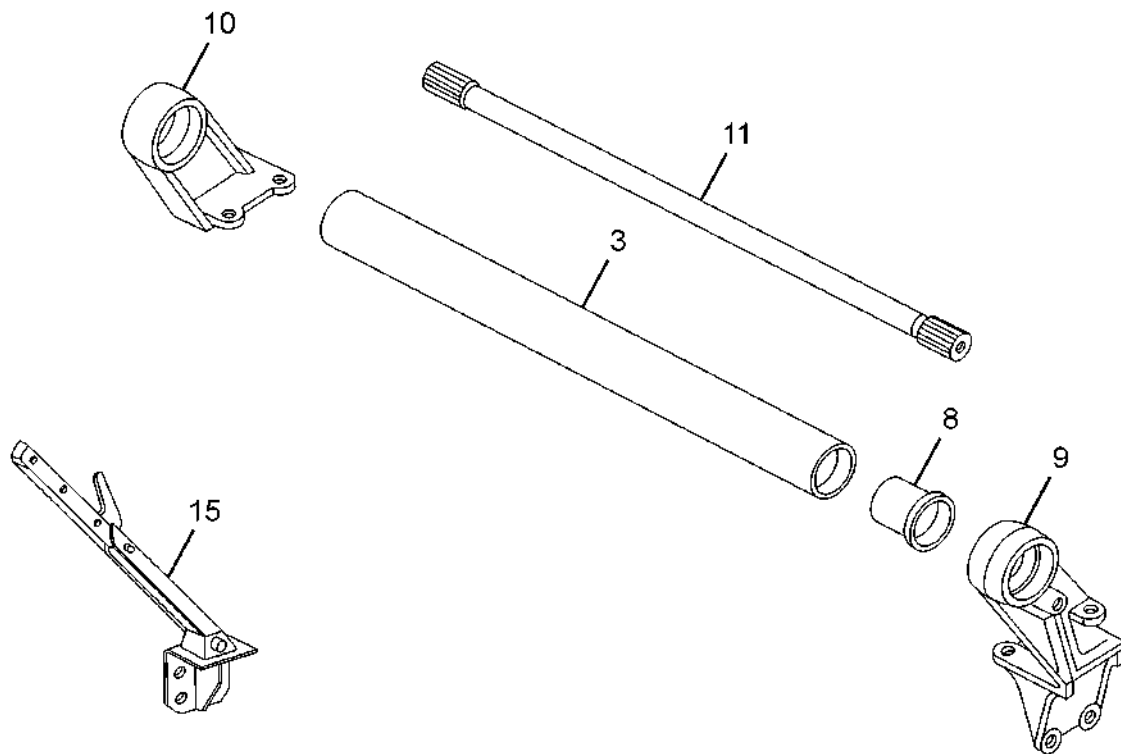


60.88.01B BUMPER GROUP 88

CHASSIS TYPE: 381313

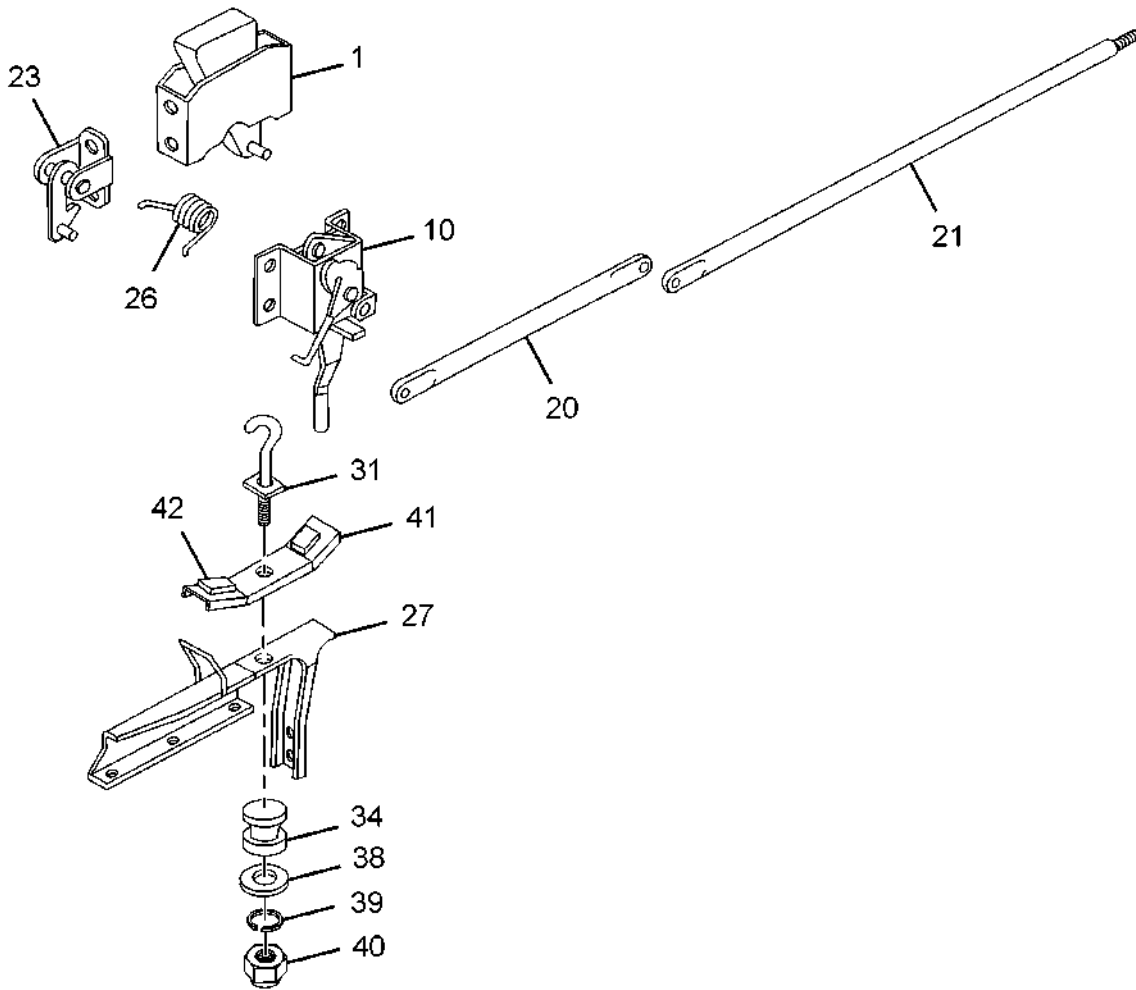
FIG. NO.	PART NUMBER	DESCRIPTION	QTY	REMARKS
1	264188500115	ASSY. BUMPER COMPLETE	1	
2	264188500101	ASSY. SUPPORT LH (BUMPER MTG.)	1	
2	264188500102	ASSY. SUPPORT RH (BUMPER MTG.)	1	
4	264188500110	ASSY. BRACKET LH (BUMPER MTG.)	1	
4	264188500111	ASSY. BRACKET RH (BUMPER MTG.)	1	
5	264188500118	ASSY. END COVER LH	1	
5	264188500119	ASSY. END COVER RH	1	
6	257354410137	ASSY. REFLEX REFLECTOR	2	

CHASSIS TYPE: 381313



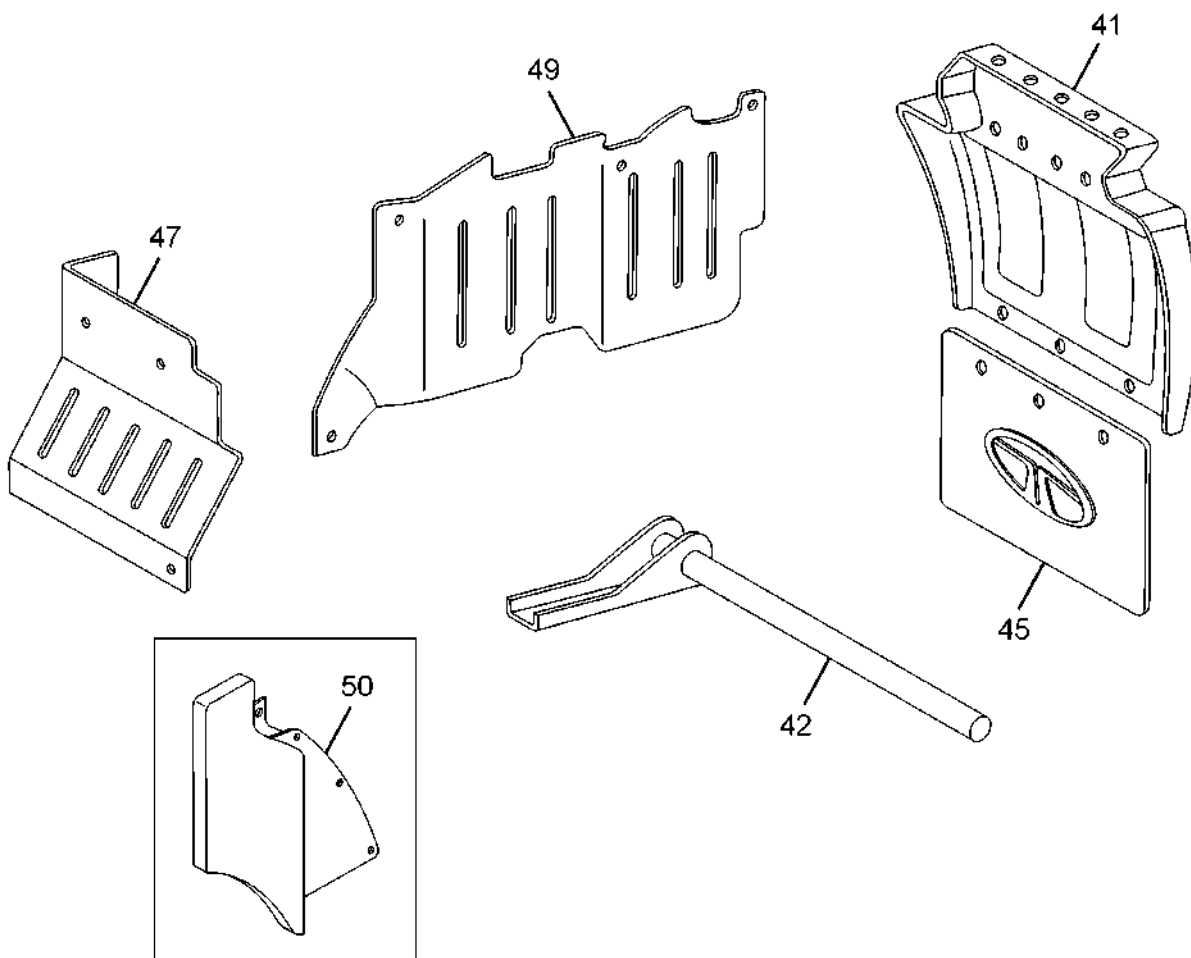
60.89.01		CAB MOUNTING (FRONT)		GROUP 89
CHASSIS TYPE: 381313				
FIG. NO.	PART NUMBER	DESCRIPTION	QTY	REMARKS
—	267389100102	ASSY.CROSS TUBE (TORSION BAR) LHD	1	
3	267389100102	CROSS TUBE (FRONT MOUNTING)	1	
—	264189103403	SERRATED BUSH RH (CROSS TUBE)	1	
—	264189103404	SPACER BUSH	2	
8	264189100154	ASSY. RUBBER BUSH (FRONT MTG.)	2	
9	264189103706	MOUNTING BRACKET BOTTOM LH	1	
10	264189103705	MOUNTING BRACKET BOTTOM RH	1	
11	264189107904	TORSION BAR	1	
—	264189103704	ADJUSTER RH (TORSION BAR)	1	
—	274789108242	SHIM	AR	
—	264189108004	SPECIAL BOLT (FOR ADJUSTER)	1	
15	264189100139	ASSY. STAY COMPLETE	1	

CHASSIS TYPE: 381313



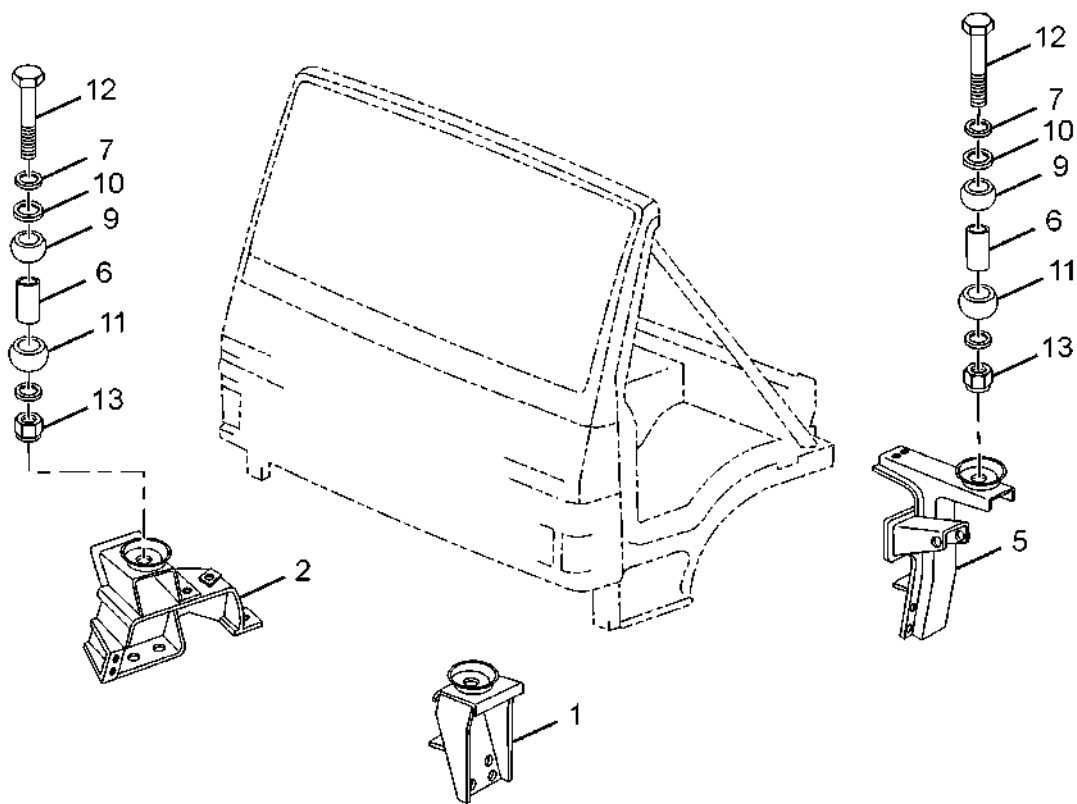
60.89.02		CAB MOUNTING (REAR)		GROUP 89	
CHASSIS TYPE: 381313					
FIG. NO.	PART NUMBER	DESCRIPTION	QTY	REMARKS	
1	264189100148	ASSY. HOUSING BRACKET COMPLETE RH	1		
1	264189100147	ASSY. HOUSING BRACKET COMPLETE LH	1		
—	264189100140	ASSY. FINAL LINK (LOCKING MECHANISM)	2		
—	264189108703	TORSION SPRING (LOCKING MECHANISM)	2		
—	264189106705	PIN (LOCK MECHANISM)	2		
10	264189100146	ASSY. HANDLE MOUNTING (CAB LOCKING MECHANISM) CONSISTS OF :	1		
20	264189100134	ASSY. CONNECTING LINK LH	1		
21	264189100135	ASSY. CONNECTING LINK RH	1		
—	264189100151	ASSY. SECONDARY LOCK (LOCKING MECHANISM)	1		
23	264189100136	ASSY. LEVER (SECONDARY LOCK)	1		
26	264189108704	TORSION SPRING (SECONDARY LOCK)	1		
27	264189100141	ASSY. MOUNTING BRACKET LH (CHASSIS SIDE)	1		
27	267389100106	ASSY. MOUNTING BRACKET RH (CHASSIS SIDE)	1		
—	264189100194	ASSY. TIE MEMBER (REAR MOUNTING)	1		
31	274789100129	ASSY.MTG.HOOK (CAB LOCKING MECHANISM)	1		
—	264189108272	(CAB LOCKING MECHANISM) PLATE (CAB LOCKING MECHANISM)	2		
—	264189108270	MOUNTING CUP (CAB LOCKING MECHANISM)	6		
—	264189106314	RUBBER MOUNTING (UPPER) (CAB LOCKING MECHANISM)	2		
34	264189100115	ASSY. RUBBER MOUNTING (LOWER)	2		
—	264189106913	SPACER (REAR MOUNTING)	2		
38	12460501707	BRIGHT WASHER 17	2		
39	12520698025	SPRING WASHER B 8	2		
40	12140601606	NYLOC NUT M 16X1.5	2		
41	264189100182	ASSY. BRACKET UPPER (CHASSIS SIDE)	2		
42	264189100184	ASSY. MOUNTING PAD (CAB LOCKING MECHANISM)	4		

CHASSIS TYPE: 381313



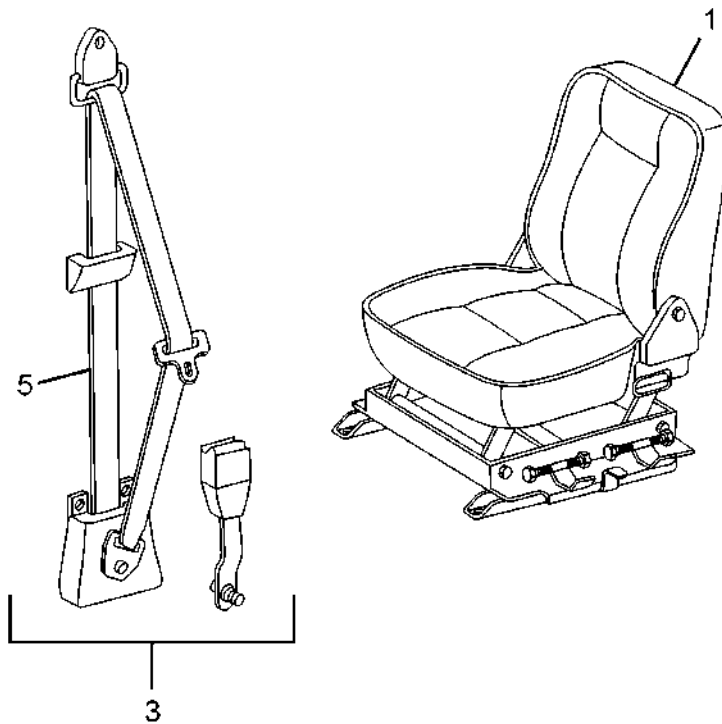
60.89.03		MUDGUARD AND MUDFLAP		GROUP 89
CHASSIS TYPE: 381313				
FIG. NO.	PART NUMBER	DESCRIPTION	QTY	REMARKS
41	264189106305	MUD GUARD LH	1	
41	264189106306	MUD GUARD RH	1	
42	264189100165	ASSY. SUPPORT (BOTTOM) LH	1	
42	264189100166	ASSY. SUPPORT (BOTTOM) RH	1	
—	264189108257	CLAMP REAR MUDGUARD MOUNTING	6	
—	264189106307	SEALING (REAR MUDGUARD)	4	
45	264081100102	ASSY. MUD FLAP REAR	2	
47	264189110123	ASSY.MUDFLAP FRONT INNER LH	1	
47	264189110124	ASSY.MUDFLAP FRONT INNER RH	1	
49	274789100171	ASSY.MUDFLAP FRONT OUTER-LH	1	
49	274789100172	ASSY.MUDFLAP FRONT OUTER-RH	1	
50	264189110170	ASSY.MUDFLAP MIDDLE INNER W/EXTN.COMP-LH	1	
50	264189110171	ASSY.MUDFLAP MIDDLE INNER W/EXTN.COMP-RH	1	

CHASSIS TYPE: 381226



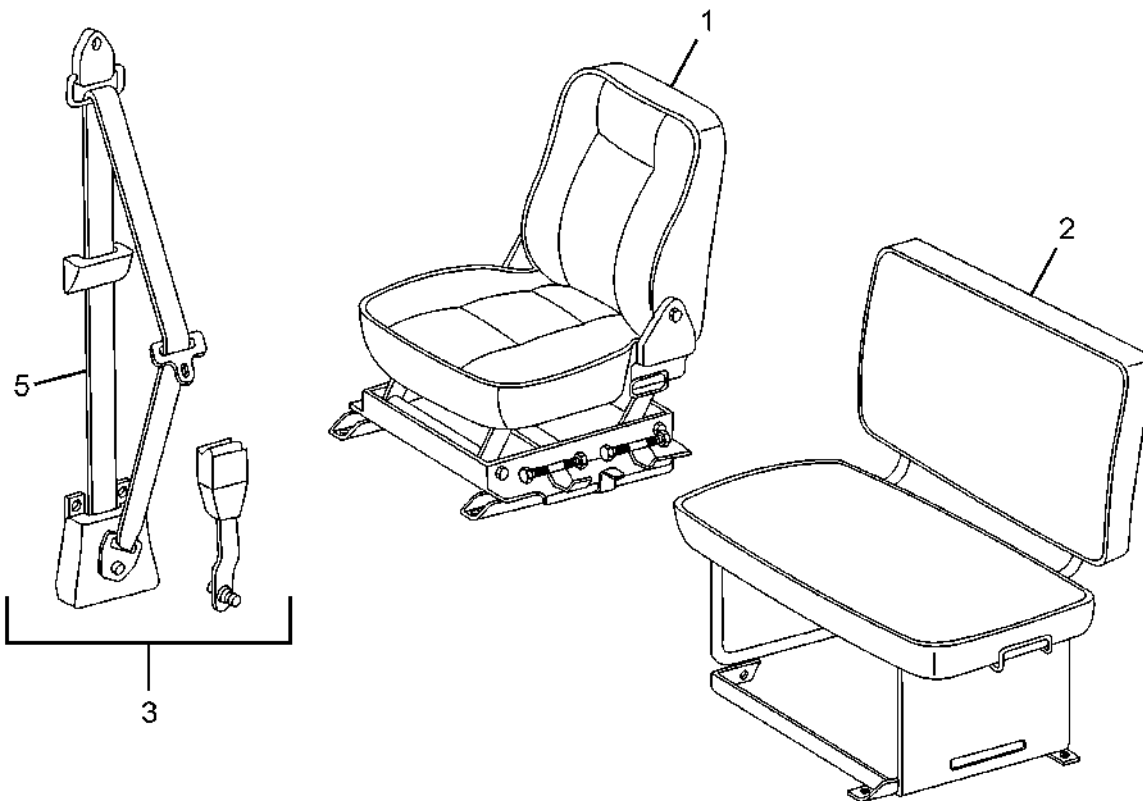
60.89.04		COWL MOUNTING		GROUP 89
CHASSIS TYPE: 381226				
FIG. NO.	PART NUMBER	DESCRIPTION	QTY	REMARKS
1	264189100177	ASSEMBLY MTG. BRACKET FRONT LH-LHD.	1	
2	264189100175	ASSY MTG BRACKET FRONT RH LHD	1	
5	264189100171	ASSY MTG BRACKET REAR [CHASSIS SIDE]	2	
--	264189100189	ASSY.TIE MEMBER REAR MTG.)LHD COWL	1	
6	264189106910	SPACER TUBE	4	
7	264189108266	PROTECTION CAP	8	
--	0428910413J	PLATE	4	
9	0008910597J	RUBBER MOUNTING UPPER	4	
10	12650601309	WASHER A13	4	
11	0008910201J	RUBBER MOUNTING	4	
12	11063896413	HEX BOLT M12X100	2	
13	12140501202	NYLOC NUT M12	4	
--	264189108006	STUD	2	
--	265170906305	PACKING	1	
--	257389109201	WASHER	4	

CHASSIS TYPE: 381226



60.91.01A		SEAT AND SEAT BELTS		GROUP 91	
CHASSIS TYPE: 381226					
FIG. NO.	PART NUMBER	DESCRIPTION	QTY	REMARKS	
1	264191000149	ASSY DRIVER SEAT COMPL.WITH HD.REST-LHD SEAT BELT	1		
3	264191500109	ASSY. SEAT BELT KIT COMPLETE ('E' CERTIFIED) CONSISTING OF :	1		
—	264191500110	SEAT BELT (MIDDLE PASSENGER)	1	NOT SERVICED LOOSE	
—	264191500111	SEAT BELT (CO - DRIVER SIDE)	1	NOT SERVICED LOOSE	
5	264191500112	SEAT BELT (DRIVER SIDE)	1	NOT SERVICED LOOSE	

CHASSIS TYPE: 381313



60.91.01B		SEAT AND SEAT BELTS		GROUP 91	
CHASSIS TYPE: 381313					
FIG. NO.	PART NUMBER	DESCRIPTION	QTY	REMARKS	
1	264191000149	ASSY DRIVER SEAT COMPL.WITH HD.REST-LHD	1		
2	264194000117	ASSY. CO-DRIVER'S SEAT SEAT BELT	1		
3	264191500109	ASSY. SEAT BELT KIT COMPLETE ('E' CERTIFIED) CONSISTING OF :	1		
—	264191500110	SEAT BELT (MIDDLE PASSENGER)	1	NOT SERVICED LOOSE	
—	264191500111	SEAT BELT (CO - DRIVER SIDE)	1	NOT SERVICED LOOSE	
5	264191500112	SEAT BELT (DRIVER SIDE)	1	NOT SERVICED LOOSE	

