



# PARTS CATALOGUE

ECW VRT Body

---

# Contents

DESCRIPTION	SECTION	UNIT/ILLUSTRATION REFERENCE
Front End Frame	K1	ECW/VRT/FEF
Rear End Frame	K2	ECW/VRT/REF
Side Frame LH	K3	ECW/VRT/SF/L
Side Frame RH	K4	ECW/VRT/SF/R
Upper Saloon Roof	K5	ECW/VRT/USR
Underframe/Main Floor	K8	ECW/VRT/UF-1-2-3-4
Entrance Door	K9	ECW/VRT/ED
Emergency Door	K10	ECW/VRT/EMD
Glazing	K12	ECW/VRT/G
Engine Ducts	K13	ECW/VRT/END
Windscreen Wipers & Washers	K16	ECW/VRT/WW
Door Piping	K17	ECW/VRT/DP
Exterior Trim Panels	K19	ECW/VRT/ETP-1-2-3-4

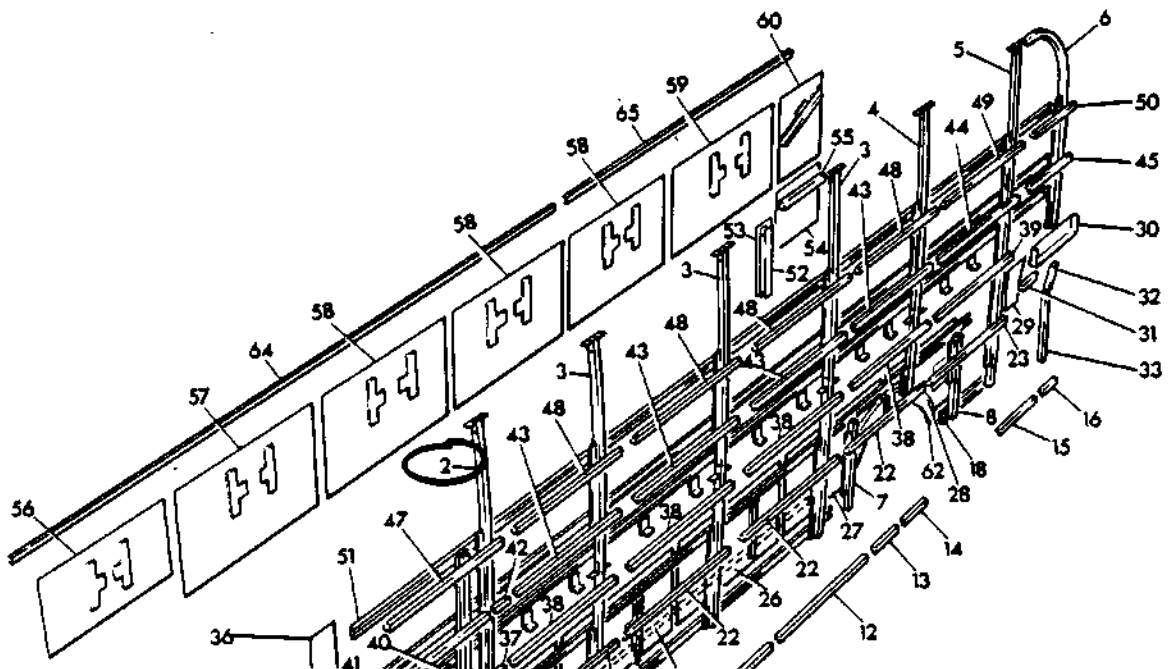
## Using the Catalogue

1. Identify the area you are interested in on the contents sheet:

DESCRIPTION	SECTION	UNIT/ILLUSTRATION REFERENCE
Front End Frame	K1	ECW/VRT/FEF
Rear End Frame	K2	ECW/VRT/REF
Side Frame LH	K3	ECW/VRT/SF/L
Side Frame RH	K4	ECW/VRT/SF/R
Upper Saloon Roof	K5	ECW/VRT/USR
Underframe/Main Floor	K8	ECW/VRT/UF-1-2-3-4
Entrance Door	K9	ECW/VRT/ED

2. Note the code and turn to the correct Section.

3. Find the part or assembly you want on the illustration and note the reference number:



4. Find the reference number on the Parts List and read off the Part Number and Description.

ILLUSTRATED BODY SPARES			ECW/VRT/SF/L	SECTION	K3
ISSUE		SIDE FRAME LH			
ILL REF NO	ASSY CODE	PART NO	DESCRIPTION	QTY PER ASSY	UOM
	1		LH. SIDE FRAME ASSY	1	
1	2	.DTD279M	MAIN PILLAR NEAR SIDE NO1	1	EA
	2	.DT0219W	PILLAR INNER PACKING FOR DOOR FAIRING NEAR SIDE NO1	1	EA
	2	.DTB161W	CASING RAIL NEAR SIDE BAY 1	1	EA
2	2	.DTB373M	MAIN PILLAR NEAR SIDE NO 1A	1	EA
	2	.FLB37T	PILLAR TO UPPER CANT RAIL BRACKET	2	EA
	2	.LB34T	GLASS RAIL TO PILLAR BRACKET	1	EA
3	2	.DNB6M	MAIN PILLAR NEAR SIDE NO.2,3,4.	3	EA
	2	.FLB37T	PILLAR TO UPPER CANT RAIL BRACKET	6	EA
	2	.LB34T	GLASS RAIL TO PILLAR BRACKET	6	EA

5. Notes on other columns:

Column 2. — Assy. Code

Numbers in this column mean:

1 — Main assembly, or a single component.

2 — Sub-assembly, or a part of a main assembly.

Column 6 — Unit of Measure (U.O.M.)

Letters in this column mean:

EA — Each

MM — Millimetres

AR — As required

Ordering

All parts in the catalogue must be ordered from:

Eastern Coach Works	or	Bristol Parts Centre
Eastern Way		17/19 Emery Road
Lowestoft NR32 2HG		Brislington
		Bristol BS4 5PF

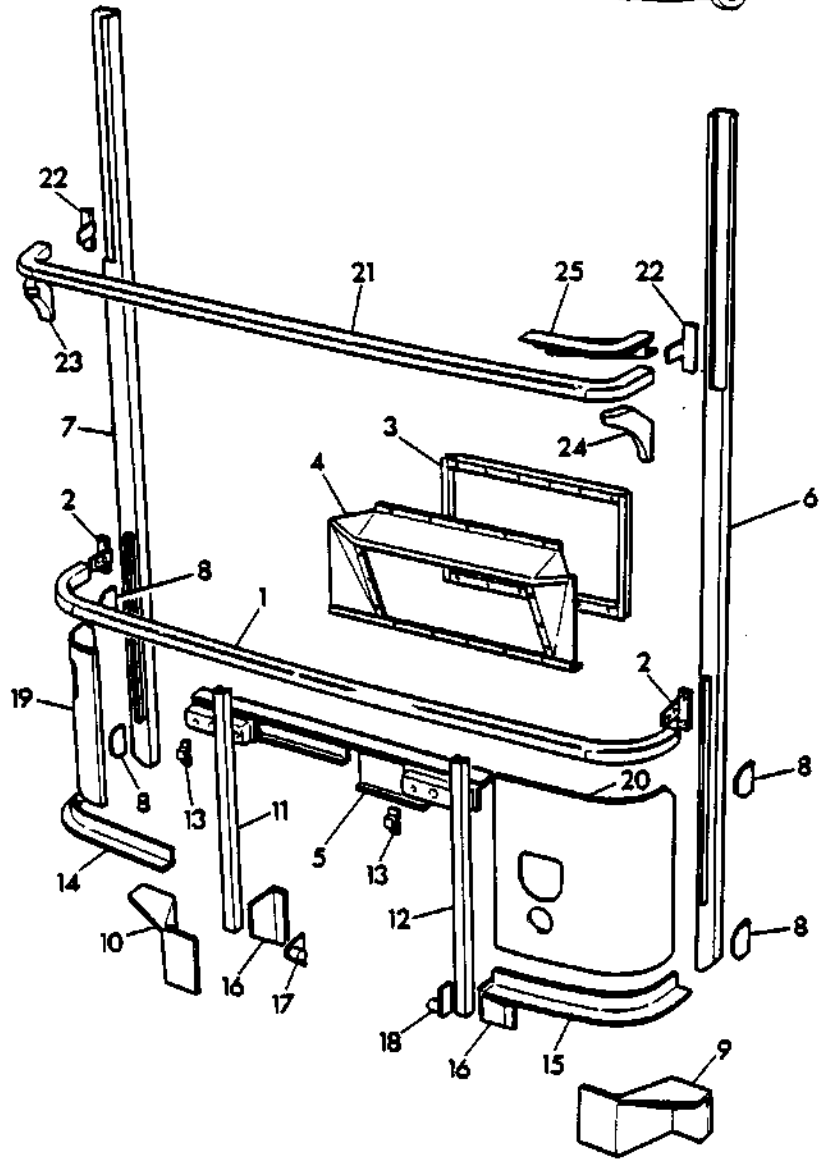
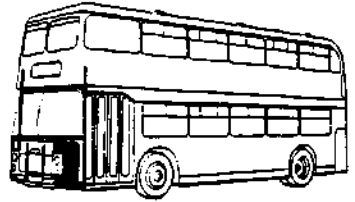
Prices

A separate price list is available from the above address.

Other Specifications

Queries on part numbers and information concerning specifications and models excluded from this catalogue can be obtained direct from Eastern Coach Works.





ECW/VRT/FEF

## ILLUSTRATED BODY SPARES

ECW/VRT/FEF

SECTION K1

ISSUE		FRONT END FRAME				
ILL REF NO	ASSY CODE	PART NO	DESCRIPTION	QTY PER ASSY	UOM	
1	1	37444/2	FRONT STRUCTURE ASSEMBLY	1		
	2	.DTC55M	WAIST RAIL	1	EA	
	2	.DTC12W	WAIST RAIL PACKING N.S. CORNER	1	EA	
	2	.DTC22W	WAIST RAIL PACKING O.S. CORNER	1	EA	
	2	.DTC21W	WAIST RAIL PACKING CENTRE	1	EA	
2	2	.DTC56M	WAIST RAIL END BRACKET	2	EA	
3	2	.DTC135M	RADIATOR AIR INTAKE FRAME	1	EA	
4	2	.DTC117M	RADIATOR COWL	1	EA	
5	2	.DTC198M	SCREEN WIPER/WASHER MOUNTING BRKT	1	EA	
6	2	.DTC50M	CORNER PILLAR NEAR SIDE	1	EA	
	2	.DTB149W	PILLAR INNER PACKING FOR DOOR FAIRING FRONT	1	EA	
	2	.DTB150W	ENT PILLAR SHEATHING PACKING	2	EA	
7	2	.DTC51M	CORNER PILLAR OFF SIDE	1	EA	
8	2	.DTC81M	DETACHABLE PANEL SIDE FIXING PLATES	4	EA	
9	2	.DTC59M	N.S. PILLAR/SKIRT MOUNTING BRKT	1	EA	
10	2	.DTC60M	O.S. PILLAR/SKIRT MOUNTING BRKT	1	EA	
11	2	.DTC73M	INTER PILLAR OFF SIDE	1	EA	
12	2	.DTC72M	INTER PILLAR NEAR SIDE	1	EA	
13	2	.DTC82M	DETACHABLE PANEL TOP FIXING PLATES	2	EA	
14	2	.DTC71M	CORNER SKIRT ANGLE OFF SIDE	1	EA	
15	2	.DTC70M	CORNER SKIRT ANGLE NEAR SIDE	1	EA	

## ILLUSTRATED BODY SPARES

ECW/VRT/FEF

SECTION K1

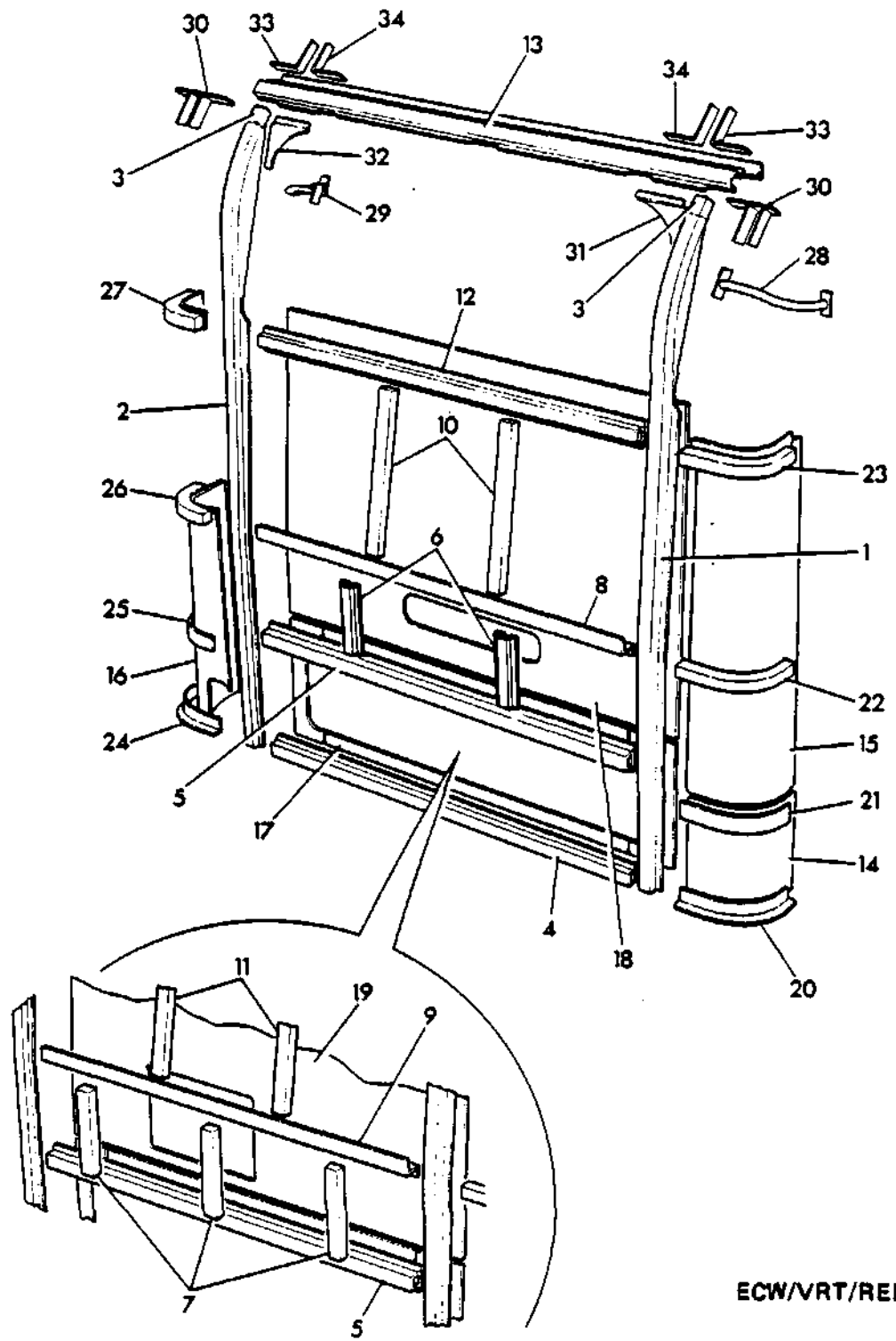
## ISSUE

## FRONT END FRAME

ILL REF NO	ASSY CODE	PART NO	DESCRIPTION	QTY PER ASSY	UOM
16	2	.DTC132M	INTER PILLAR BTM MOUNTING BRACKET	2	EA
17	2	.DTC78M	TUBE DETACH. PANEL BTM. LOCATING SPIGOT OFF SIDE	1	EA
18	2	.LHG200M	TUBE DETACH. PANEL BTM LOCATING SPIGOT NEAR SIDE	1	EA
19	2	.DTC134M	OFF SIDE CORNER TRUSS PANEL	1	EA
20	2	.DTC79M	NEAR SIDE CORNER TRUSS PANEL	1	EA
21	2	.DTC52M	GLASS RAIL	1	EA
	2	.DTC10W	GLASS RAIL PACKING NEAR SIDE CORNER	1	EA
	2	.DTC11W	GLASS RAIL PACKING OFF SIDE CORNER	1	EA
	2	.DTC9W	GLASS RAIL PACKING CENTRE	1	EA
22	2	.DTC53M	GLASS RAIL END BRACKETS N.S./O.S.	2	EA
23	2	.DTC15W	SCREEN TOP CORNER OFF SIDE	1	EA
24	2	.DTC14W	SCREEN TOP CORNER BLOCK NEAR SIDE	1	EA
25	2	.DTC62M	ENT DOOR SHELF PLATE SUPPORT BRKT	1	EA

ALWAYS QUOTE CHASSIS/BODY NUMBER WHEN ORDERING PARTS





ECW/VRT/REF

ILLUSTRATED BODY SPARES      ECW/VRT/REF      SECTION K2

ISSUE		REAR END FRAME				
ILL REF NO	ASSY CODE	PART NO	DESCRIPTION	QTY PER ASSY	UOM	
			* RAW MAT - RFH2724.			
1	2	.DTD1M .DTD10W	MAIN PILLAR OFF SIDE PACKING INSIDE FACE MAIN PILLAR TO WAIST TO CANT	1 1	EA EA	
2	2	.DTD50M * .DTD10W	MAIN PILLAR NEAR SIDE PACKING INSIDE FACE MAIN PILLAR TO WAIST TO CANT	1 1	EA EA	
3	2	.FLD22T	MAIN PILLAR TOP CASTING	2	EA	
4	2	.DTD7M *	LOWER DECK WAIST RAIL	1	EA	
5	2	.DTD13M	LOWER DECK GLASS RAIL (BODIES WITHOUT REAR INDICATOR)	1	EA	
6	2	.FTLD30T	STUMP PILLAR ABOVE LOWER DECK GLASS RAIL (BODIES WITHOUT REAR INDICATOR)	2	EA	
7	2	.DTD34W	STUMP PILLAR ABOVE LOWER DECK GLASS RAIL (BODIES WITH REAR INDICATOR)	3	EA	
8	2	.FLTD36T	MOULDING RAIL TOP DECK (BODIES WITHOUT REAR INDICATOR)	1	EA	
9	2	.FLTD35T	MOULDING RAIL TOP DECK	1	EA	
10	2	.DND17W	VERTICAL PANEL STIFFENER (BODIES WITHOUT REAR INDICATOR)	2	EA	
11	2	.DTD33W	VERTICAL PANEL STIFFENER (BODIES WITH REAR INDICATOR)	2	EA	
12	2	.DND31M	TOP DECK REAR WAIST RAIL	1	EA	
13	2	.DND30M	TOP DECK REAR CANT RAIL TOP DECK CANT RAIL PACKING	1 1	EA EA	
14	2	.DTD3M	CORNER TRUSS PANEL OFF SIDE LOWER	1	EA	
15	2	.DND26M	CORNER TRUSS PANEL OFF SIDE UPPER	1	EA	
16	2	.DTD61M	CORNER TRUSS PANEL NEAR SIDE LOWER	1	EA	
17	2	.DND12M	TRUSS PANEL LOWER DECK GLASS RAIL LOWER DECK WAIST RAIL	1 SET	EA	
18	2	.DND16M	TRUSS PANEL TOP DECK WAIST TO GLASS RAIL CENTRE (BODIES WITHOUT REAR INDICATOR)	1	EA	

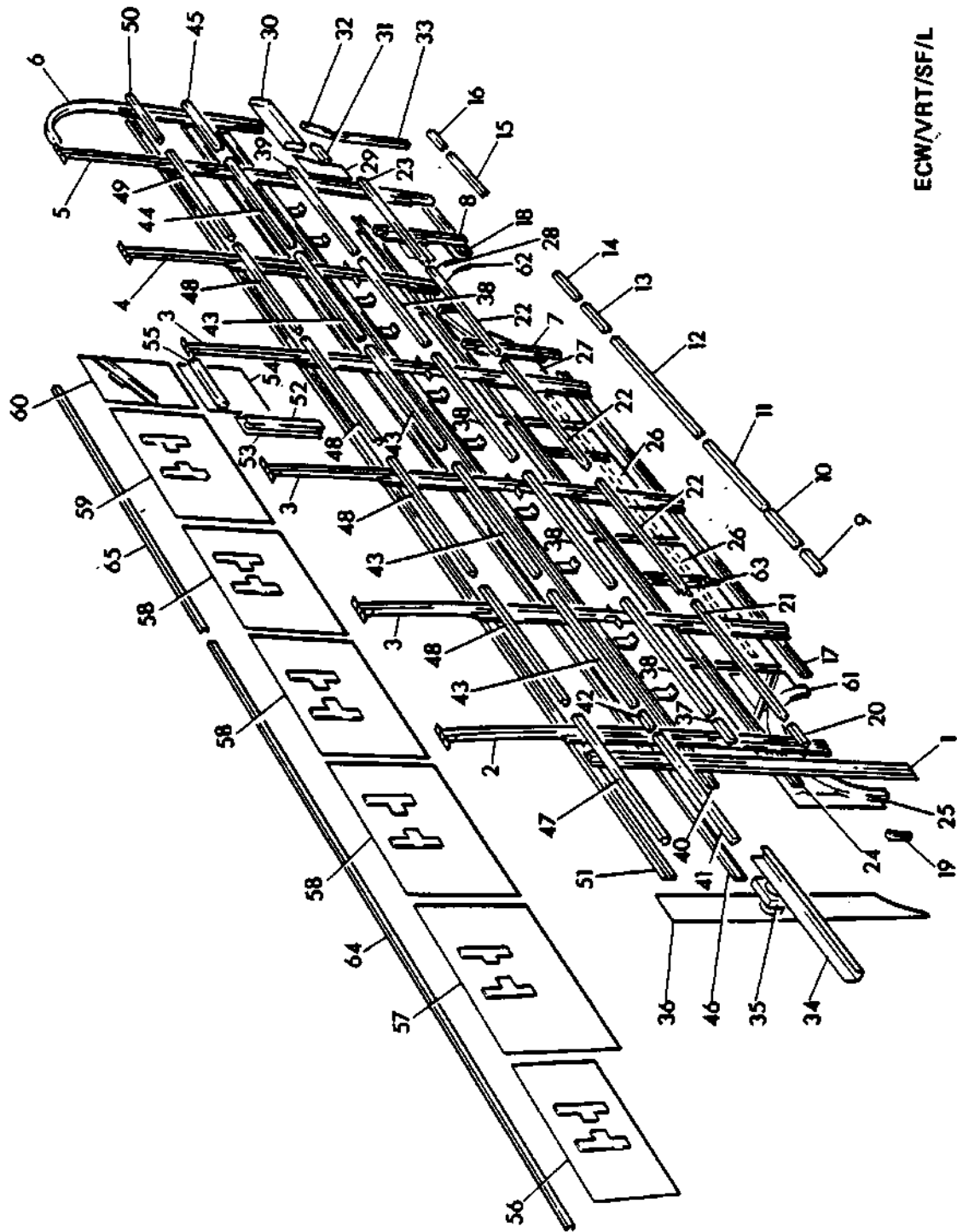
## ILLUSTRATED BODY SPARES

ECW/VRT/REF

SECTION K2

ISSUE		REAR END FRAME				
ILL REF NO	ASSY CODE	PART NO	DESCRIPTION	QTY PER ASSY	UOM	
19	2	.DTD85M	TRUSS PANEL TOP DECK WAIST TO GLASS RAIL CENTRE (BODIES WITH REAR INDICATOR)	1	EA	
20	2	.DTD9M	LOWER DECK WAIST OFF SIDE CORNER	1	EA	
21	2	.DND15M	LD. GLASS RAIL CORNER PLATE OFF SIDE	1	EA	
22	2	.DND8W	CANT CORNER MOULD RAIL OFF SIDE	1	EA	
23	2	.DND6W	TOP DECK WAIST CORNER MOULD RAIL O.S	1	EA	
24	2	.DND10M	LOWER DECK WAIST RAIL N.S. CORNER	1	EA	
25	2	.DND14M	LD GLASS RAIL CORNER PLATE N.S.	1	EA	
26	2	.DND7W	CANT CORNER MOULD RAIL NEAR SIDE	1	EA	
27	2	.DND5W	TOP DECK WAIST CORNER MOULD RAIL N.S	1	EA	
28	2	.DND19M	TUBULAR CORNER BRACKET OFF SIDE	1	EA	
29	2	.DND18M	TUBULAR CORNER BRACKET NEAR SIDE	1	EA	
30	2	.FTLD48T	MAIN PILLAR TO TOP DECK CANT SADDLE BRACKETS NEAR SIDE/OFF SIDE	2	EA	
31	2	.DTD22M	CANT RAIL TO PILLAR CORNER PLATE OFF SIDE	1	EA	
32	2	.DTD21M	CANT RAIL TO PILLAR CORNER PLATE NEAR SIDE	1	EA	
33	2	.FLD19T	DOME STRINGER TO TOP DECK CANT BRACKET OUTER NEAR SIDE/OFF SIDE	2	EA	
34	2	.FLD20T	DOME STRINGER TO TOP DECK CANT BRACKET INNER NEAR SIDE/OFF SIDE	2	EA	

ALWAYS QUOTE CHASSIS/BODY NUMBER WHEN ORDERING PARTS



ECW/VRT/SF/L

## ILLUSTRATED BODY SPARES

ECW/VRT/SF/L

SECTION K3

ISSUE		SIDE FRAME LH		DESCRIPTION	QTY PER ASSY	UOM
ILL REF NO	ASSY CODE	PART NO				
		1		LH. SIDE FRAME ASSY	1	
1	2	.DTD279M		MAIN PILLAR NEAR SIDE NO1 (REF 272S)	1	EA
	2	.DTD219W		PILLAR INNER PACKING FOR DOOR	1	EA
	2	.DTB161W		FAIRING NEAR SIDE NO1		
	2			CASING RAIL NEAR SIDE BAY 1	1	EA
2	2	.DTB373M		MAIN PILLAR NEAR SIDE NO 1A	1	EA
	2	.FLB37T		PILLAR TO UPPER CANT RAIL BRACKET	2	EA
	2	.LB34T		GLASS RAIL TO PILLAR BRACKET	1	EA
3	2	.DNB6M		MAIN PILLAR NEAR SIDE NO.2,3,4.	3	EA
	2	.FLB37T		PILLAR TO UPPER CANT RAIL BRACKET	6	EA
	2	.LB34T		GLASS RAIL TO PILLAR BRACKET	6	EA
4	2	.DTB775M		MAIN PILLAR NEAR SIDE NO 5.	1	EA
	2	.FLB37T		PILLAR TO UPPER CANT RAIL BRACKET	2	EA
	2	.LB34T		GLASS RAIL TO PILLAR BRACKET	2	EA
5	2	.DTB426M		MAIN PILLAR NEAR SIDE NO 6.	1	EA
	2	.FLB37T		PILLAR TO UPPER CANT RAIL BRACKET	2	EA
6	2	.DTB204M		MAIN PILLAR NEAR SIDE NO 7.	1	EA
7	2	.DTB86M		STUMP PILLAR BAY 5 NEAR SIDE	1	EA
8	2	.DTB7M		STUMP PILLAR BAY 6 NEAR SIDE	1	EA
9	2	.DNB13W		SKIRT VALANCE JOINT RAIL BAY 2 NEAR SIDE	1	EA
10	2	.DTB235W		SKIRT VALANCE JOINT RAIL BAY 3 NEAR SIDE FRONT	1	EA
11	2	.DTB234W		SKIRT VALANCE JOINT RAIL BAY 3 REAR	1	EA
12	2	.DNB12W		SKIRT VALANCE JOINT RAIL BAY 4	1	EA

## ILLUSTRATED BODY SPARES

ECW/VRT/SF/L

SECTION K3

ISSUE		SIDE FRAME LH				
ILL REF NO	ASSY CODE	PART NO	DESCRIPTION	QTY PER ASSY	UOM	
13	2	.DNB15W	SKIRT VALANCE JOINT RAIL BAY 5 FRONT	1	EA	
14	2	.DTB28W	SKIRT VALANCE JOINT RAIL BAY 5 REAR	1	EA	
15	2	.DTB32W	SKIRT VALANCE JOINT RAIL BAY 6	1	EA	
16	2	.DTB109W	SKIRT VALANCE JOINT BLOCK NO 6 PILLAR TO ENGINE POD	1	EA	
17	2	.DTB171M	SOLE BAR BETWEEN WHEEL ARCH	1	EA	
18	2	.DTB81M	SOLE BAR REAR OF REAR WHEEL ARCH	1	EA	
19	2	.DFB251W	WHEEL ARCH CHANNEL TO NO 1. PILLAR PACKING	1	EA	
20	2	.DFB199W	LD. WAIST PACKING FORWARD OF BAY 2	1	EA	
21	2	.DNB2W	LOWER DECK WAIST PACKING BAY 2	1	EA	
22	2	.FTLB95	LD. WAIST PACKING BAYS 3,4,5.	3	EA	
23	2	.DTB191W	LOWER DECK WAIST PACKING BAY 6	1	EA	
24	2	.DTB283M	LOWER DECK WAIST RAIL	1	EA	
25	2	.DTB751M	LOWER DECK TRUSS PANEL BAY 2	1	EA	
26	2	.DTB740M	LOWER DECK TRUSS PANEL BAY 3,4.	2	EA	
27	2	.DTB744M	LOWER DECK TRUSS PANEL BAY 5	1	EA	
28	2	.DTB748M	LOWER DECK TRUSS PANEL BAY 6.	1	EA	
29	2	.DTB193M	LOWER DECK TRUSS PANEL NO 6 TO ENGINE POD	1	EA	

## ILLUSTRATED BODY SPARES

ECW/VRT/SF/L

SECTION K3

ISSUE		SIDE FRAME LH				
ILL REF NO	ASSY CODE	PART NO	DESCRIPTION	QTY PER ASSY	UOM	
30	2	.DTB732M	REAR BOTTOM RAIL LD BAY 7	1	EA	
31	2	.DTB107W	REAR WAIST MOULD BLOCK NO 6. PILLAR TO ENGINE POD	1	EA	
32	2	.DTB105W	ENGINE POD CASING FILLET UPPER	1	EA	
33	2	.DTB103W	ENGINE POD CASING FILLET LOWER	1	EA	
34	2	.DTB286M	ENTRANCE DOOR GEAR SUPPORT CHANNEL	1	EA	
35	2	.DTB239W	ENT DOOR EXTERIOR EMERG CONTROL	1	EA	
36	2	.DTB298M	LD. TRUSS PANEL FORWARD OF BAY 2	1	EA	
37	2	.DFB210W	LOWER DECK GLASS RAIL FORWARD OF BAY 2.	1	EA	
38	2 2	.FLB444 .FLT8147T	LD. GLASS RAIL BAYS 2,3,4,5. CANT RAIL TO GLASS RAIL BRACKETS	4 8	EA EA	
39	2 2	.DTB182W .FLT8147T	LD. GLASS RAIL BAY 6 CANT RAIL TO GLASS RAIL BRACKETS	1 2	EA EA	
40	2	.DTB281M	INTER CANT RAIL LOWER	1	EA	
41	2	.DTB167M	SEAT RAIL LOWER DECK	1	EA	
42	2	.DFB205W	CANT MOULD RAIL FWD OF BAY 2	1	EA	
43	2	.FLT851	CANT MOULD RAIL BAY 2,3,4,5.	4	EA	
44	2	.DTB6W	CANT MOULD RAIL BAY 6	1	EA	
45	2	.DTB181W	CANT MOULD RAIL BAY 7	1	EA	
46	2	.DFB362M	INTER CANT RAIL UPPER	1	EA	
47	2	.DFB204W	TOP DECK WAIST PACKING BAY 1	1	EA	
48	2	.FTL895	TOP DECK PACKING BAYS 2,3,4,5.	4	EA	

## ILLUSTRATED BODY SPARES

ECW/VRT/SF/L

SECTION K3

ISSUE

SIDE FRAME LH

ILL REF NO	ASSY CODE	PART NO	DESCRIPTION	QTY PER ASSY	UOM
49	2	.DTB3W	TOP DECK WAIST PACKING BAY 6	1	EA
50	2	.DTB98W	TOP DECK WAIST PACKING BAY 7	1	EA
51	2	.DFB360M	UPPER DECK WAIST RAIL	1	EA
52	2	.DTB417M	LOWER DECK BAY 6 GLAZING PILLAR	1	EA
53	2	.DTB761M	LOWER DECK TRUSS PANEL BAY 6 WAIST TO GLASS RAIL	1	EA
54	2	.DTB199M	LOWER DECK TRUSS PANEL BAY REAR WAIST TO CANT	1	EA
55	2	.DTB100W	LOWER DECK GLASS RAIL BAY, 7	1	EA
56	2	.DTB753M	TOP DECK TRUSS PANEL BAY 1	1	EA
57	2	.DTB754M	TOP DECK TRUSS PANEL BAY 2	1	EA
58	2	.DTB756M	TOP DECK PANEL BAY 3,4,5.	3	EA
59	2	.DTB757M	TOP DECK TRUSS PANEL BAY 6	1	EA
60	2	.DTB759M	TOP DECK TRUSS PANEL BAY 7	1	EA
61	2	.DTB285M	WHEEL ARCH CHANNEL NEAR SIDE FRONT	1	EA
	2	.DTB292M	WHEEL ARCH VALANCE FRONT	1	EA
	2	.DNB45M	WHEEL ARCH VALANCE CENTRE	1	EA
	2	.DNB44M	WHEEL ARCH VALANCE REAR	1	EA
62	2	.DTB105M	WHEEL ARCH CHANNEL NEAR SIDE REAR	1	EA
	2	.DNB43M	WHEEL ARCH VALANCE FRONT	1	EA
	2	.DNB45M	WHEEL ARCH VALANCE CENTRE	1	EA
	2	.DTB106M	WHEEL ARCH VALANCE REAR	1	EA
63	2	.DTB167M	SEAT RAIL LOWER DECK NEAR SIDE	1	EA



## ILLUSTRATED BODY SPARES

ECW/VRT/SF/L

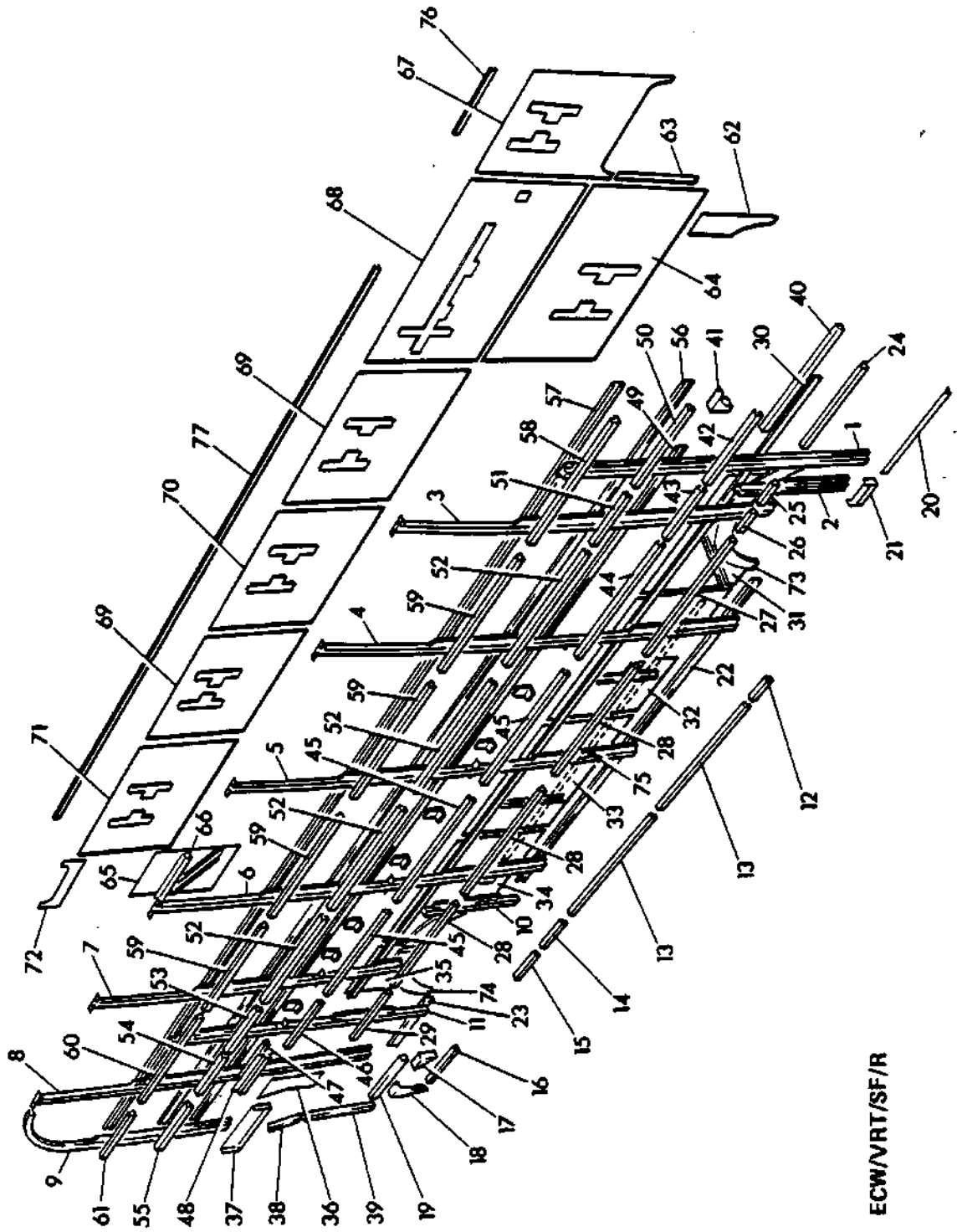
SECTION K3

ISSUE

SIDE FRAME LH

ILL REF NO	ASSY CODE	PART NO	DESCRIPTION	QTY PER ASSY	UOM
64	2	.DFB372M	SEAT RAIL UPPER DECK NEAR SIDE FRONT	1	EA
65	2	.DTB430M	SEAT RAIL UPPER DECK NEAR SIDE REAR	1	EA

ALWAYS QUOTE CHASSIS/BODY NUMBER WHEN ORDERING PARTS



ECW/RT/SF/R

## ILLUSTRATED BODY SPARES

ECW/VRT/SF/R

SECTION K4

ISSUE		SIDE FRAME RH		DESCRIPTION	QTY PER ASSY	UOM
ILL REF NO	ASSY CODE	PART NO				
		1		R.H. SIDE FRAME ASSY	1	
1	2	.DTB779M		MAIN PILLAR NO 1	1	EA
2	2	.DTB291M		STUMP PILLAR BAY 2	1	EA
3	2	.DTB780M		MAIN PILLAR NO 1A	1	EA
	2	.FLB37T		PILLAR TO UPPER CANT RAIL BRACKET	2	EA
4	2	.DTB102M		MAIN PILLAR NO 2	1	EA
	2	.FLB37T		PILLAR TO UPPER CANT RAIL BRACKET	2	EA
	2	.LB34T		GLASS RAIL TO PILLAR BRACKET	1	EA
5	2	.DTB708M		MAIN PILLAR NO 3	1	EA
	2	.FLB37T		PILLAR TO UPPER CANT RAIL BRACKET	2	EA
	2	.LB34T		GLASS RAIL TO PILLAR BRACKET	2	EA
6	2	.DMB6M		MAIN PILLAR NO 4	1	EA
	2	.FLB37T		PILLAR TO UPPER CANT RAIL BRACKET	2	EA
	2	.LB34T		GLASS RAIL TO PILLAR BRACKET	2	EA
7	2	.DTB17M		MAIN PILLAR NO 5	1	EA
	2	.FLB37T		PILLAR TO UPPER CANT RAIL BRACKET	2	EA
	2	.LB34T		GLASS RAIL TO PILLAR BRACKET	2	EA
8	2	.DTB203M		MAIN PILLAR NO 6	1	EA
	2	.FLB37T		PILLAR TO UPPER CANT RAIL BRACKET	2	EA
9	2	.DTB205M		MAIN PILLAR NO 7	1	EA
10	2	.DTB86M		STUMP PILLAR BAY 5	1	EA
11	2	.DTB5M		INTER PILLAR BAY 6	1	EA
12	2	.DNB14W		SKIRT VALANCE JOINT RAIL BAY 2	1	EA
13	2	.DNB12W		SKIRT VALANCE JOINT RAIL BAYS 3,4.	2	EA

## ILLUSTRATED BODY SPARES

ECW/VRT/SF/R

SECTION K4

ISSUE SIDE FRAME RH

ILL REF NO	ASSY CODE	PART NO	DESCRIPTION	QTY PER ASSY	UOM
14	2	.DNB15W	SKIRT VALANCE JOINT RAIL BAY 5 FRONT	1	EA
15	2	.DTB46W	SKIRT VALANCE JOINT RAIL BAY 5 REAR	1	EA
16	2	.DTB125W	SKIRT VALANCE JOINT RAIL BAY 6	1	EA
17	2	.DTB115M	EMERGENCY DOOR SILL RAIL TO PILLAR BRACKET FRONT	1	EA
18	2	.DTB231M	NO 6 PILLAR BOTTOM EXTENSION	1	EA
19	2	.DTB45W	EMERGENCY DOOR SILL RAIL	1	EA
20	2	.DTB302M	SKIRT VALANCE RAIL	1	EA
21	2	.DTB131M	FRONT SKIRT VALANCE RAIL BAY 2	2	EA
22	2	.DTB172M	SOLEBAR BETWEEN WHEEL ARCH	1	EA
23	2	.DTB232M	SOLEBAR REAR OF REAR WHEEL ARCH	1	EA
24	2	.DTB144W	LOWER DECK WAIST PACKING BAY 1	1	EA
25	2	.DTB17W	LOWER DECK WAIST PACKING FORWARD OF BAY 2 FRONT	1	EA
26	2	.DTB59W	LOWER DECK WAIST PACKING FORWARD OF BAY 2 REAR	1	EA
27	2	.DTB136W	LOWER DECK WAIST PACKING BAY 2	1	EA
28	2	.FTLB95	LD. WAIST PACKING BAYS 3,4,5.	3	EA
29	2	.DTB2W	LOWER DECK WAIST PACKING BAY 6	1	EA
30	2	.DTB284M	LOWER DECK WAIST RAIL	1	EA

## ILLUSTRATED BODY SPARES

ECW/VRT/SF/R

SECTION K4

ISSUE		SIDE FRAME RH		DESCRIPTION	QTY PER ASSY	UOM
ILL REF NO	ASSY CODE	PART NO				
31	2	.DTB455M		TRUSS PANEL BAY 2	1	EA
32	2	.DTB742M		LOWER DECK TRUSS PANEL BAY 3	1	EA
33	2	.DTB740M		LOWER DECK TRUSS PANEL BAY 4	1	EA
34	2	.DTB763M		LOWER DECK TRUSS PANEL BAY 5	1	EA
35	2	.DTB750M		LOWER DECK TRUSS PANEL BAY 6	1	EA
36	2	.DTB193M		LOWER DECK TRUSS PANEL NO 6 PILLAR TO ENGINE POD	1	EA
37	2	.DTB732M		REAR BOTTOM RAIL LOWER DECK BAY 7	1	EA
38	2	.DTB106W		ENGINE POD CASING FILLET UPPER	1	EA
39	2	.DTB221W		ENGINE POD CASING FILLET LOWER	1	EA
40	2	.DTB82W		WAIST INNER CASING FILLET BAY 1	1	EA
41	2	.DTB146W		GLASS RAIL TO PILLAR CORNER BLOCK BAY 1	1	EA
42	2	.DTB145W		LOWER DECK GLASS RAIL BAY 1	1	EA
43	2	.DTB20W		LD. GLASS RAIL FORWARD OF BAY 2	1	EA
44	2	.DFB240W		LOWER DECK GLASS RAIL BAY 2	1	EA
45	2 2	.FLB444 .FLTB147T		LD. GLASS RAIL BAYS 3,4,5. CANT RAIL TO GLASS RAIL BRACKETS	3 6	EA EA
46	2 2	.DTB9W .FTLB147T		LD. GLASS RAIL BAY 6 FRONT CANT RAIL TO GLASS RAIL BRACKET	1 1	EA EA
47	2	.DTB84W		CASING FILLET ABOVE EMERGENCY DOOR	1	EA

## ILLUSTRATED BODY SPARES

ECW/VRT/SF/R

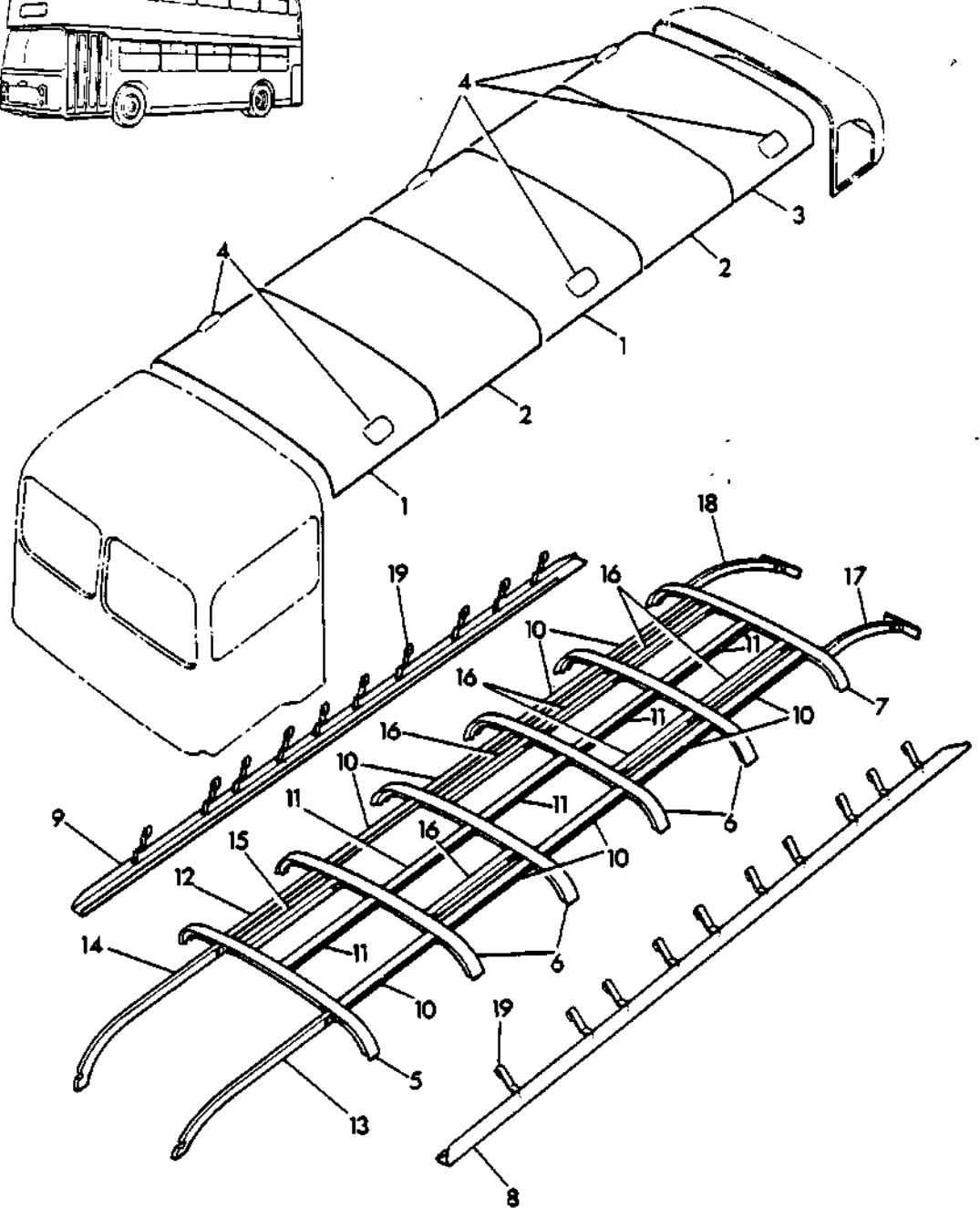
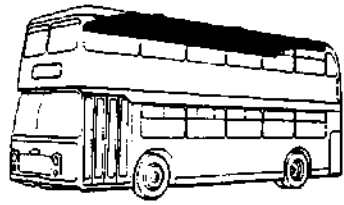
SECTION K4

ISSUE		SIDE FRAME RH				
ILL REF NO	ASSY CODE	PART NO	DESCRIPTION	QTY PER ASSY	UOM	
48	2	.DTB716M	EMERGENCY DOOR APERTURE TOP RAIL	1	EA	
49	2	.DTB282M	INTER CANT RAIL	1	EA	
50	2	.DFB235W	CANT MOULD RAIL BAY 1	1	EA	
51	2	.DTB772M	DRAIN SECTION MOULD RAIL BAY 1 REAR	1	EA	
52	2	.FTLB51	CANT MOULD RAIL BAYS 2,3,4,5.	4	EA	
53	2	.DTB7W	CANT MOULD RAIL BAY 6 FRONT	1	EA	
54	2	.DTB34W	CANT MOULD RAIL BAY 6 REAR	1	EA	
55	2	.DTB183W	CANT MOULD RAIL BAY 7	1	EA	
56	2	.DFB363M	INTER CANT RAIL UPPER	1	EA	
57	2	.DFB361M	UPPER DECK WAIST RAIL	1	EA	
58	2	.DFB204W	TOP DECK WAIST PACKING BAY 1	1	EA	
59	2	.FTLB95	TOP DECK WAIST PACKING BAYS 2,3,4,5.	4	EA	
60	2	.DTB3W	TOP DECK WAIST PACKING BAY 6	1	EA	
61	2	.DTB99W	TOP DECK WAIST PACKING BAY 7	1	EA	
62	2	.DTB132M	CHANNEL NO 1/A PILLAR WAIST RAIL STUMP PILLAR GUSSET	1	EA	
63	2	.DFB471M	NO 1 PILLAR EXTENSION PLATE	1	EA	
64	2	.DTB781M	LD. TRUSS PANEL BAY 2 WAIST TO CANT	1	EA	

ILLUSTRATED BODY SPARES      ECW/VRT/SF/R      SECTION      K4

ISSUE		SIDE FRAME RH				
ILL REF NO	ASSY CODE	PART NO	DESCRIPTION	QTY PER ASSY	UOM	
65	2	.DTB734M	LOWER DECK TRUSS PANEL BAY 7	1	EA	
66	2	.DTB184W	GLASS RAIL BAY 7 LOWER DECK	1	EA	
67	2	.DTB782M	TOP DECK TRUSS PANEL BAY 1	1	EA	
68	2	.DTB755M	TOP DECK PANEL BAY 2	1	EA	
69	2	.DTB754M	TOP DECK PANEL BAYS 3,5.	2	EA	
70	2	.DTB756M	TOP DECK PANEL BAY 4	1	EA	
71	2	.DTB758M	TOP DECK TRUSS PANEL BAY 6	1	EA	
72	2	.DTB577M	TOP DECK TRUSS PANEL BAY 7	1	EA	
73	2	.DNB42M	WHEEL ARCH OFF SIDE FRONT	1	EA	
	2	.DNB44M	WHEEL ARCH VALANCE FRONT	1	EA	
	2	.DNB45M	WHEEL ARCH VALANCE CENTRE	1	EA	
	2	.DNB43M	WHEEL ARCH VALANCE REAR	1	EA	
74	2	.DTB105M	WHEEL ARCH CHANNEL OFF SIDE REAR	1	EA	
	2	.DNB44M	WHEEL ARCH VALANCE FRONT	1	EA	
	2	.DNB45M	WHEEL ARCH VALANCE CENTRE	1	EA	
	2	.DTB107M	WHEEL ARCH VALANCE REAR	1	EA	
75	2	.DTB168M	SEAT RAIL LOWER DECK OFF SIDE	1	EA	
76	2	.DFB737M	SEAT RAIL UPPER DECK OFF SIDE FRONT	1	EA	
77	2	.DTB429M	SEAT RAIL UPPER DECK OFF SIDE REAR	1	EA	

ALWAYS QUOTE CHASSIS/BODY NUMBER WHEN ORDERING PARTS



ECW/VRT/USR



## ILLUSTRATED BODY SPARES

ECW/VRT/USR

SECTION K5

ISSUE		UPPER SALOON ROOF			QTY	UOM
ILL REF NO	ASSY CODE	PART NO	DESCRIPTION	PER ASSY		
1	2	.DTZ10M	TOP DECK ROOF PANEL BAYS 2,4 WITH VENT	2	EA	
2	2	.DTZ11M	TOP DECK EXT ROOF PANEL BAYS 3,5. WITHOUT VENT	2	EA	
3	2	.DTZ122M	TOP DECK EXT ROOF PANEL BAY 6 WITH VENT	1	EA	
4	2	.RFH3744	SHELL VENTS	6	EA	
5	2	.DTEE7M	MAIN ROOFSTICK NO 1	1	EA	
	2	.DTEE7W	ROOFSTICK CENTRE PACKING	1	EA	
	2	.DTEE36W	ROOFSTICK PACKING RADIUS CORNERS	2	EA	
6	2	.DTEE8M	MAIN ROOFSTICK NO 2,3,4,5.	4	EA	
	2	.DTEE7W	ROOFSTICK CENTRE PACKING	4	EA	
	2	.DTEE36W	ROOFSTICK PACKING RADIUS CORNERS	8	EA	
7	2	.DTEE10M	MAIN ROOFSTICK NO 6	1	EA	
	2	.DTEE7W	ROOFSTICK CENTRE PACKING	1	EA	
	2	.DTEE37W	ROOFSTICK PACKING RADIUS CORNERS	2	EA	
8	2	.DTEE5M	CANT RAIL NEAR SIDE	1	EA	
9	2	.DTEE6M	CANT RAIL OFF SIDE	1	EA	
10	2	.DTEE15M	ROOF STRINGER BAYS 2,3,4,5,6, N.S. AND BAYS 3,4,5,6. OFF SIDE	9	EA	
	2	.DTEE14W	ROOF STRINGER PACKING	9	EA	
11	2	.DTEE15M	ROOF STRINGER BAYS 2,3,4,5,6. CENTRE	5	EA	
	2	.DTEE10W	ROOF STRINGER PACKING	5	EA	
12	2	.DTEE18M	ROOF STRINGER BAY 2 OFF SIDE	1	EA	
	2	.DTEE21W	ROOF STRINGER PACKING	1	EA	
13	2	.DTCC47W	FRONT DOME STRINGERS NEAR SIDE	1	EA	
	2	.DTEE29M	RAIL BRACKET	2	EA	
14	2	.DTCC48W	FRONT DOME STRINGER OFF SIDE	1	EA	
	2	.DTE29M	RAIL BRACKET	2	EA	
15	2	.DTEE38W	STANCHION RAIL BAY 2 OFF SIDE	1	EA	
	2	.DTEE29M	RAIL BRACKET	4	EA	

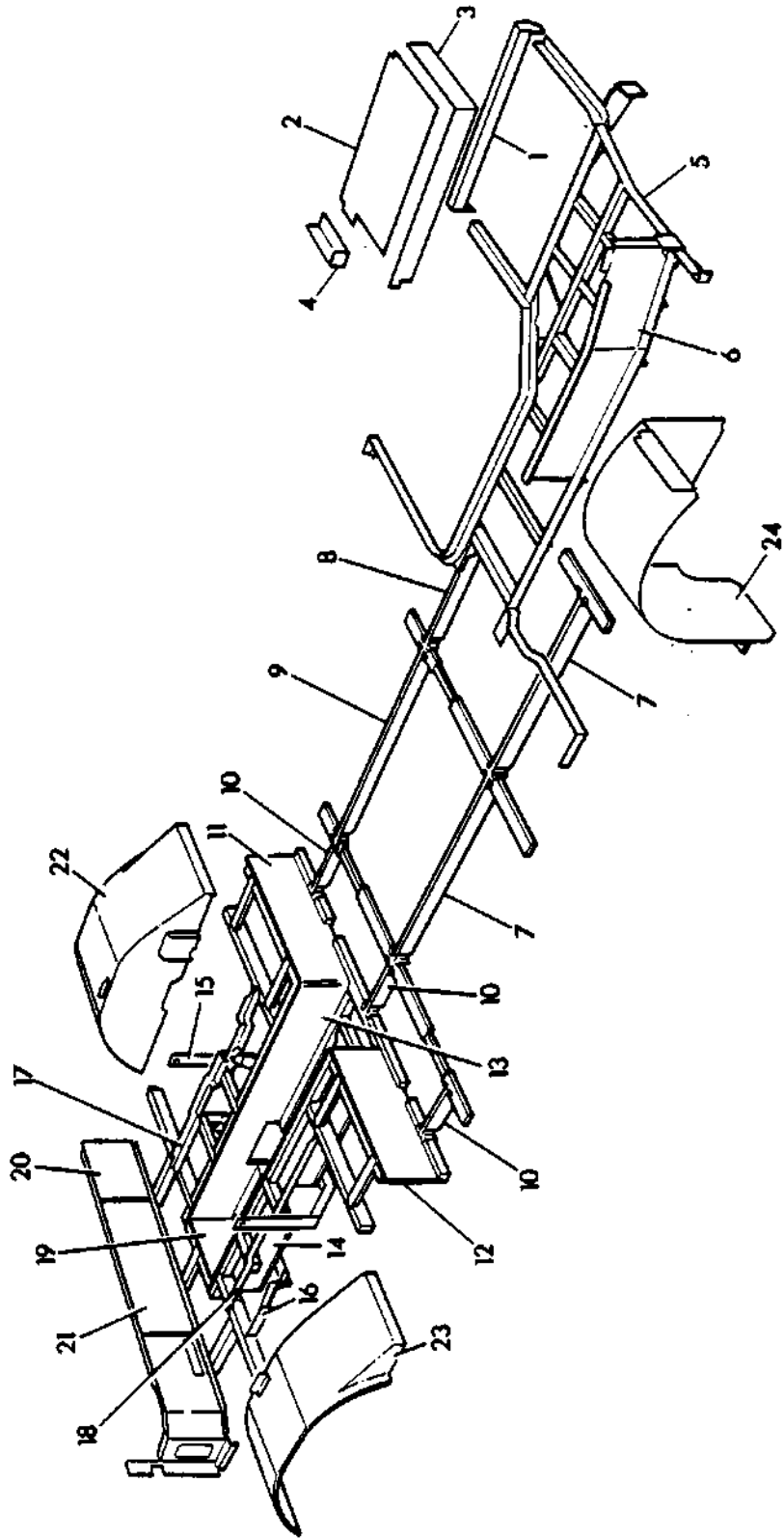
ILLUSTRATED BODY SPARES ECW/VRT/USR

SECTION K5

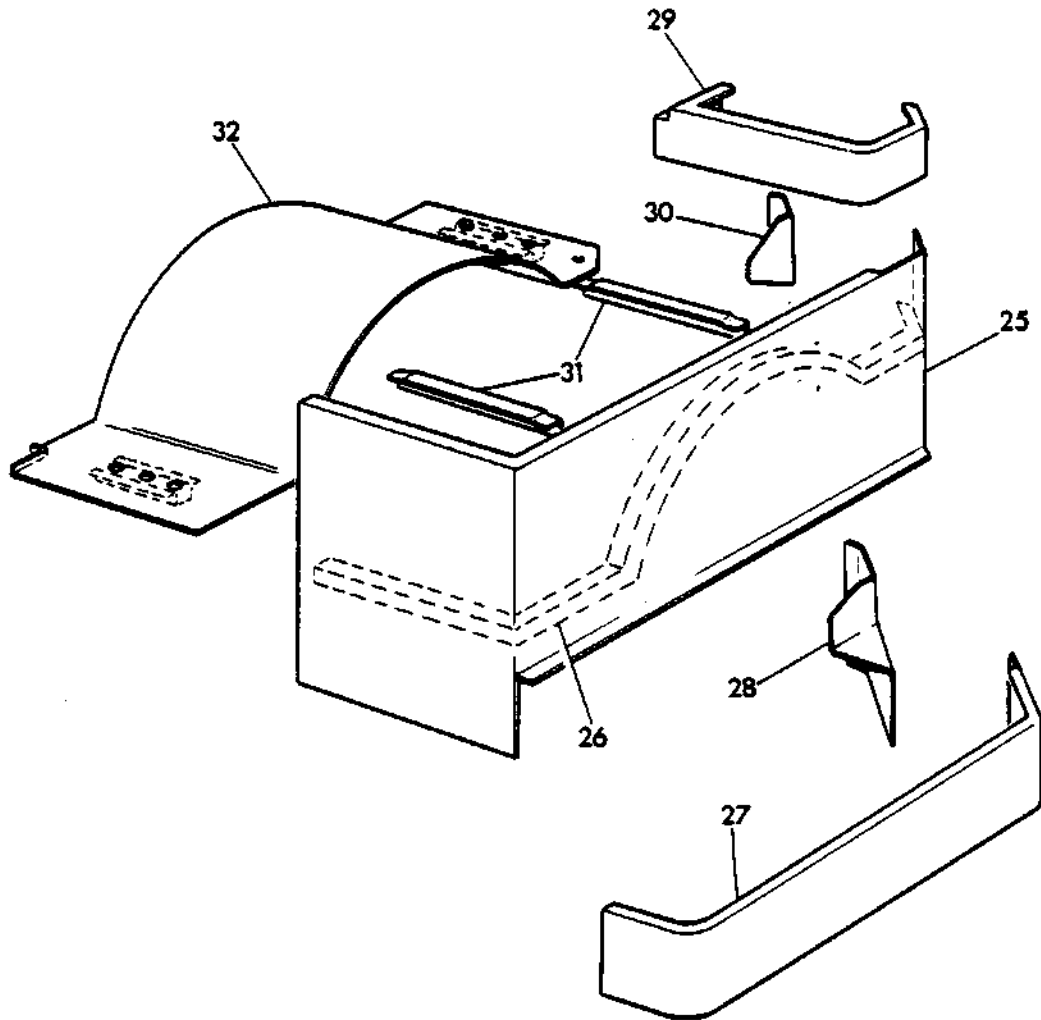
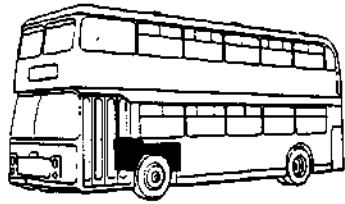
ISSUE UPPER SALOON ROOF

ILL REF NO	ASSY CODE	PART NO	DESCRIPTION	QTY PER ASSY	UOM
16	2	.DTEE18W	STANCHION RAIL BAYS 3,5,6 NEAR SIDE	6	EA
	2	.DTEE29M	AND BAYS 4,5,6. OFF SIDE RAIL BRACKET	24	EA
17	2	.DTEE47W	REAR DOME STRINGER NEAR SIDE	1	EA
	2	.DTEE33M	REAR DOME STRINGER BRACKETS	2	EA
18	2	.DTEE48W	REAR DOME STRINGER OFF SIDE	1	EA
	2	.DTEE33M	REAR DOME STRINGER BRACKETS	2	EA
19	2	.DFEE18M	CONDUIT FIXING CLIPS BAYS 2,3,4,5,6, NEAR SIDE/OFF SIDE	20	EA

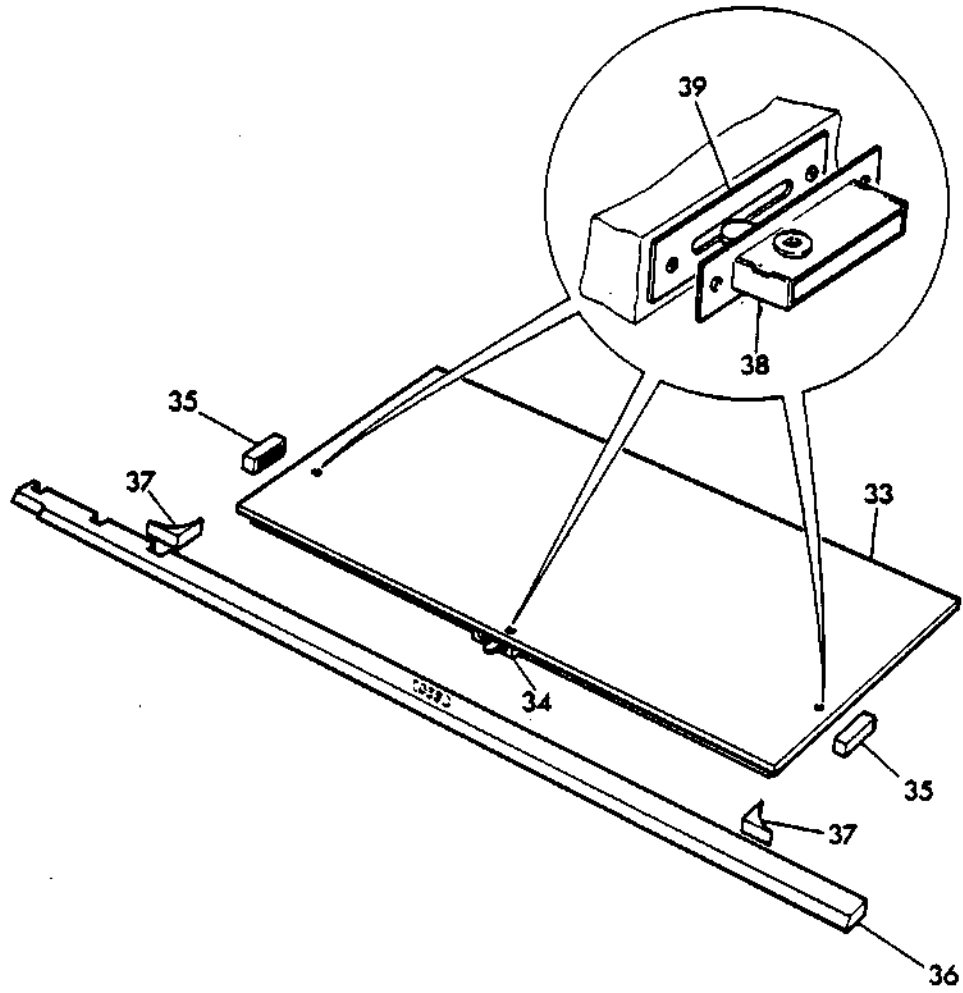
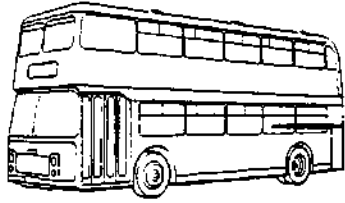
ALWAYS QUOTE CHASSIS/BODY NUMBER WHEN ORDERING PARTS



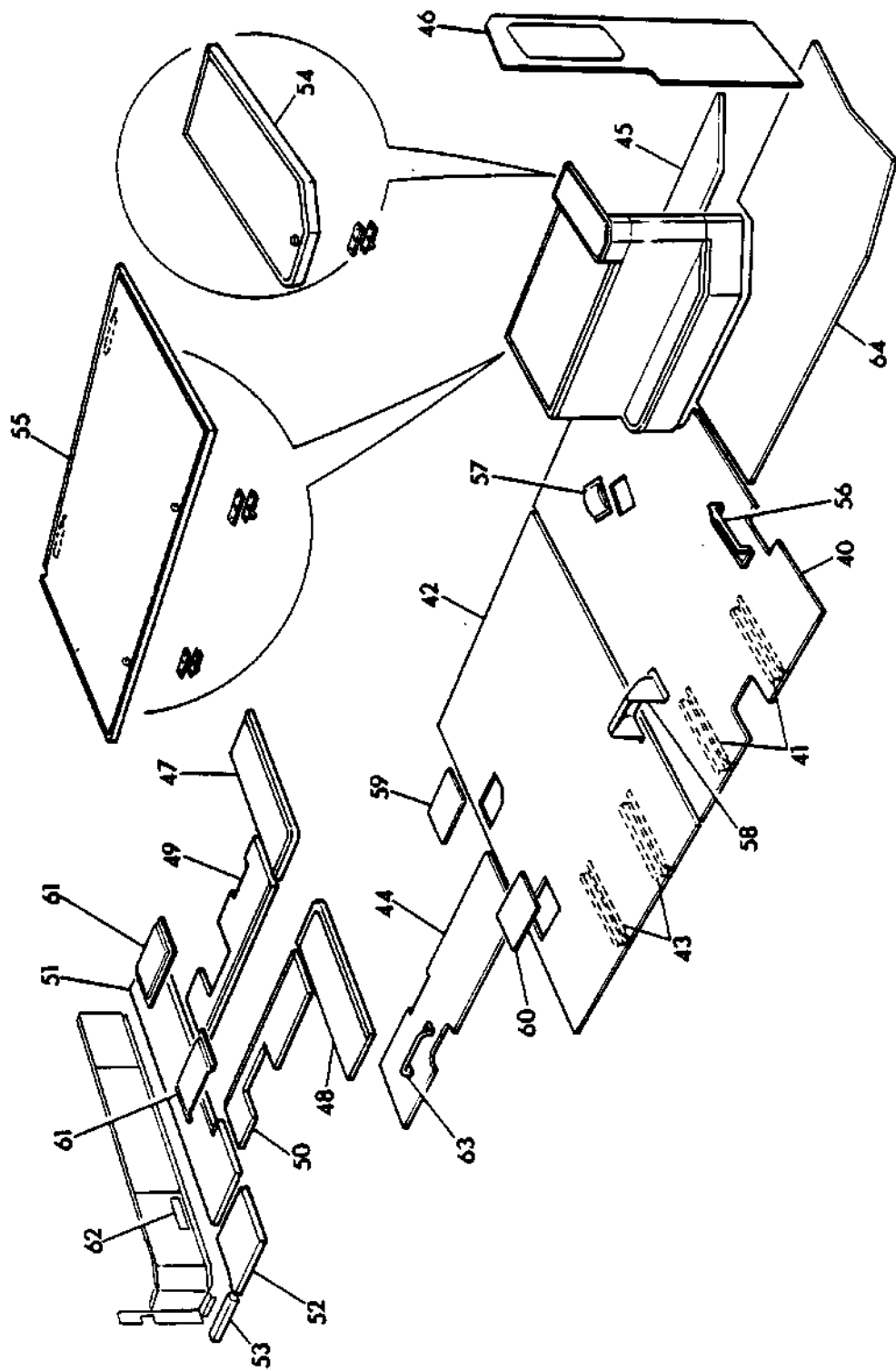
ECW/VRT/UF--1



ECW/VRT/UF-2



ECW/VRT/UF-3



ECW/VRT/JF-4

ILLUSTRATED BODY SPARES      ECW/VRT/UF      SECTION K8

ISSUE		UNDER FRAME/MAIN FLOOR			
ILL REF NO	ASSY CODE	PART NO	DESCRIPTION	QTY PER ASSY	UOM
1	2	.DTA109M	ENTRANCE STEP SILL ANGLE	1	EA
2	2	.DTA111M	ENTRANCE STEP PLATE ASSY	1	EA
3	2	.DTA448M	ENTRANCE STEP RISER	1	EA
4	2	.DTA208M	ENTRANCE STEP REAR DETACH PANEL	1	EA
5	2	.DTA438M	FRONT FLOOR FRAME ASSY 37929/6	1	EA
6	2	.DTA288M	OFFSIDE FRONT RISER PANEL	1	EA
7	2	.DNA13W .LWA2T	LONGTL RAIL BAYS 3 & 4 CENTRE FLOOR RAIL FIXING BRACKET	2 4	EA EA
8	2	.DTA126W .LWA2T	LONGTL RAIL BAY 3 NEAR SIDE FLOOR RAIL FIXING BRACKET	1 1	EA EA
9	2	.DNA15W .LWA2T	LONGTL RAIL BAY 4 NEAR SIDE FLOOR RAIL FIXING BRACKET	1 2	EA EA
10	2	.DTA78W .LWA2T	LONGTL RAIL BAY 5 NS/OS CENTRE FLOOR RAIL FIXING BRACKET	3 6	EA EA
11	2	.DTA518W	REAR RAISED FLOOR RISER NEAR SIDE	1	EA
12	2	.DTA377W	REAR RAISED FLOOR RISER OFF SIDE	1	EA
13	2	.DTA378W	REAR RAISED FLOOR RISER GANGWAY NEAR SIDE	1	EA
14	2	.DTA508W	REAR RAISED FLOOR RISER GANGWAY OFF SIDE	1	EA
15	2	.DTA24M	REAR GANGWAY TRANS SUPPORT ANGLE FWD OF REAR AXLE	1	EA
16	2	.DTA481M	REAR GANGWAY TRANS SUPPORT ANGLE FWD OF REAR AXLE	1	EA
17	2	.DTA126M	REAR WHEEL ARCH FLOOR ANGLE LONGTL NEAR SIDE	1	EA

ILLUSTRATED BODY SPARES      ECW/VRT/UF      SECTION K8

ISSUE		UNDER FRAME/MAIN FLOOR				
ILL REF NO	ASSY CODE	PART NO	DESCRIPTION	QTY PER ASSY	UOM	
18	2	.DTA201M	REAR WHEEL ARCH FLOOR ANGLE LONGTL OFF SIDE	1	EA	
19	2	.DTA50W	REAR RAISED FLOOR RISER REAR TRANSV	1	EA	
20	2	.DTA501M	REAR SEAT HEELBOARD	1	EA	
21	2	.DTA502M	REAR SEAT HEELBOARD FLAP	1	EA	
	2	.DTA503M	HINGE REAR SEAT HEELBOARD FLAP	1	EA	
22	2	.DTA205M	REAR WHEEL ARCH COWL NEAR SIDE	1	EA	
23	2	.DTA207M	REAR WHEEL ARCH COWL OFF SIDE	1	EA	
24	2	.DTA19M	FRONT WHEEL ARCH COWL OFF SIDE	1	EA	
	1	DTA449M	NEAR SIDE FRONT WHEEL ARCH ASSEMBLY	1	EA	
25	2	.DTA396M	WHEEL ARCH RISER	1	EA	
26	2	.DTA400M	NEAR SIDE F/W/ARCH/BATTERY SUPPORT ANGLE INNER	1	EA	
27	2	.DTA397M	FOOTSTOOL RISER	1	EA	
28	2	.DTA430M	JOINING PLATE	1	EA	
29	2	.DTA398M	LUGGAGE TRAY RISER	1	EA	
30	2	.DTA492M	JOINING PLATE	1	EA	
31	2	.DTA400M	BATTERY SUPPORT ANGLE	2	EA	
32	2	.DTA394M	FRONT WHEEL ARCH COWL NEAR SIDE	1	EA	
33	2	.DTA299W	ENGINE POD TRAP	1	EA	
34	2	.DTA385W	ENGINE POD TRAP FRONT LOCK BLOCK	1	EA	



## ILLUSTRATED BODY SPARES

ECW/VRT/UF

SECTION K8

ISSUE

UNDER FRAME/MAIN FLOOR

ILL REF NO	ASSY CODE	PART NO	DESCRIPTION	QTY PER ASSY	UOM
35	2	.DTA381W	ENGINE POD TRAP SIDE FIXING BLOCK OFF SIDE AND NEAR SIDE	2	EA
36	2	.DTA380W	ENGINE POD SOUND PROOFING AND SQUAB FIXING RAIL TOP	1	EA
37	2	.DTA301W	ENGINE POD FRONT CORNER BLOCK NEAR SIDE AND OFF SIDE	2	EA
38	2	.BCU0094	BUDGET LOCK	3	EA
39	2	.BCU0096	STRIKER PLATE	3	EA
40	2	.DTA36W	MAIN FLOORBOARD BAY 3	1	EA
41	2	.DTA26M	FLOORBOARD STIFFENER BAY 3	2	EA
42	2	.DTA311W	MAIN FLOORBOARD BAYS 4,5.	1	EA
43	2	.DTA26M	FLOORBOARD STIFFENER BAY 4	2	EA
44	2	.DTA507W	MAIN FLOORBOARD SUNK GANGWAY	1	EA
45	2	.DTA422W	NEAR SIDE FRONT WHEEL ARCH FOOTSTOOL BOARD	1	EA
46	2	.DTJK40M	NEAR SIDE ENTRANCE PARTITION	1	EA
47	2	.DTA517W	REAR RAISED FLOORBOARD NEAR SIDE FRONT TRANSV	1	EA
48	2	.DTA375W	REAR RAISED FLOORBOARD OFF SIDE FRONT TRANSV	1	EA
49	2	.DTA179W	REAR RAISED FLOORBOARD NEAR SIDE LONGTL	1	EA
50	2	.DTA509W	REAR RAISED FLOORBOARD OFF SIDE	1	EA
51	2	.DTA437W	REAR RAISED FLOORBOARD NEAR SIDE REAR TRANSV	1	EA

## ILLUSTRATED BODY SPARES ECW/VRT/UF

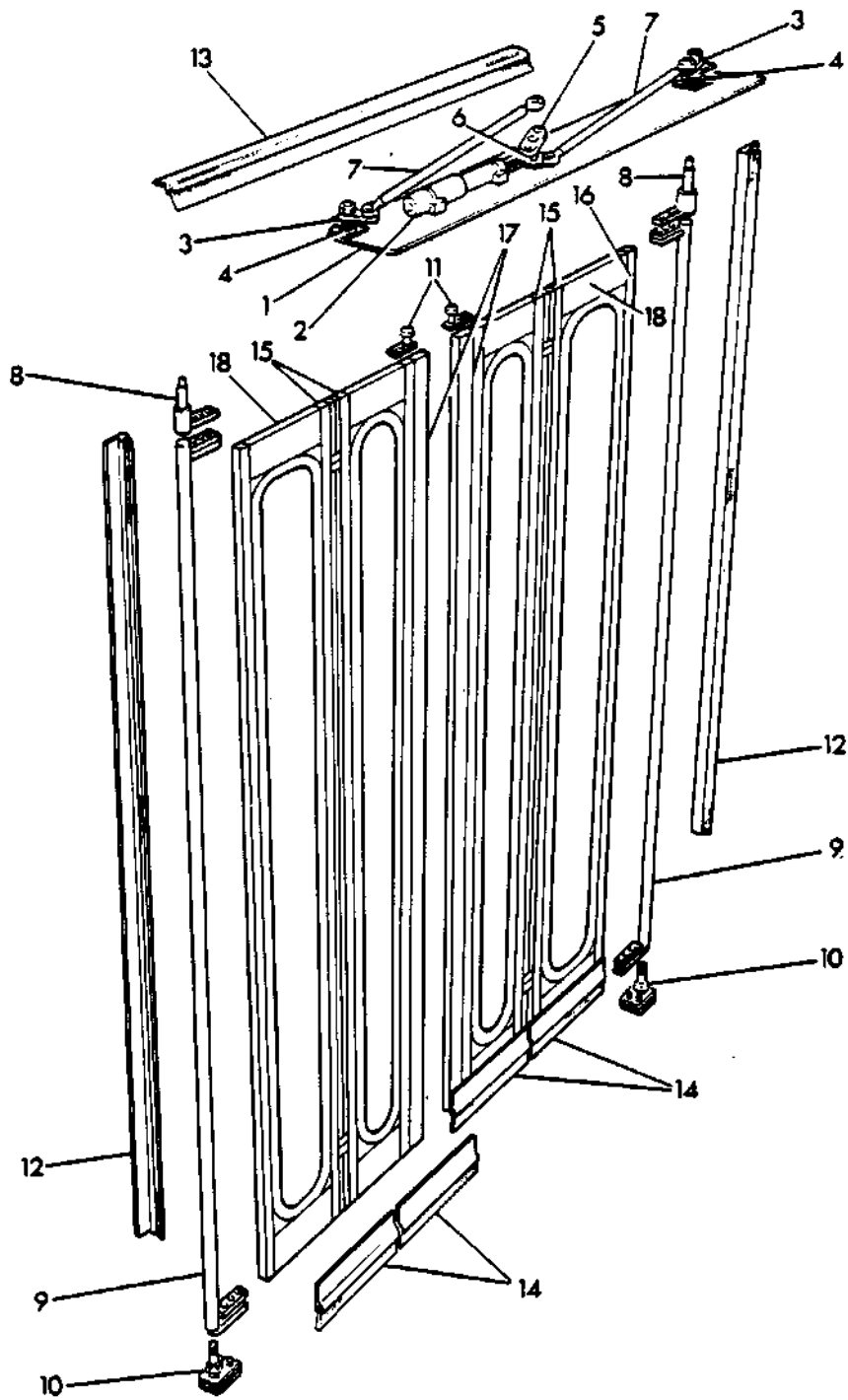
SECTION K8

ISSUE

UNDER FRAME/MAIN FLOOR

ILL REF NO	ASSY CODE	PART NO	DESCRIPTION	QTY PER ASSY	UOM
52	2	.DTA438W	REAR RAISED FLOORBOARD OFF SIDE REAR TRANSV	1	EA
53	2	.DTA111W	REAR RAISED FLOORBOARD OFF SIDE AT EMERGENCY DOOR	1	EA
54	2	.DTA472W .BCU0095	NEAR SIDE WHEEL ARCH LUGGAGE TRAY BUDGET LOCK	1 1	EA EA
55	2	.DTX7W .BCU0095	NEAR SIDE LUGGAGE TRAY BUDGET LOCK	2 2	EA EA
56	2	.DTA236M	OFF SIDE PARTN FLOOR COWL	1	EA
57	2	.DTA269M	CHASSIS CABLE APERTURE COVER	1	EA
58	2	.DTB200M	FUEL FILLER COWL	1	EA
59	2	.DTA273M	BRAKE ACCESS PANEL NEAR SIDE	1	EA
60	2	.DTA274M	BRAKE ACCESS PANEL OFF SIDE	1	EA
61	2	.DTA225M	REAR AXLE COWLS NEAR SIDE/OFF SIDE	2	EA
62	2	.DTV119M	LOWER DECK HEATER AIR OUTLET MESH	1	EA
63	2	.DTA489M	OFF SIDE REAR AXLE DIFF COWL	1	EA
64	2	.DTA432W	MAIN FLOORBOARD BAYS 1/2	1	EA

ALWAYS QUOTE CHASSIS / BODY NUMBER WHEN ORDERING PARTS



ECW/VRT/ED

## ILLUSTRATED BODY SPARES

ECW/VRT/ED

SECTION K9

ISSUE		ENTRANCE DOOR				
ILL REF NO	ASSY CODE	PART NO	DESCRIPTION	QTY PER ASSY	UOM	
1	2	.75C17784	SHELFPLATE	1	EA	
2	2	.75D16680L	AIR CYLINDER	1	EA	
3	2	.75C13736-1B	DRIVE LEVER LH/RH	2	EA	
4	2		TOP BEARING ASSY LH/RH	2	EA	
5	2	.75E16373 .75D16423	MICRO SWITCH CRANKED LEVER MICRO SWITCH AND CAM 'ASSY B'	1 1	EA EA	
6	2		TOP BEARING ASSY CENTRE	1	EA	
7	2	.7513440	OPERATING ROD	2	EA	
8	2		DRIVE SHAFT	2	EA	
9	2		PILLAR TUBE	2	EA	
10	2	.75D10612	BOTTOM BEARING ASSV	2	EA	
11	2		ROLLER BRACKET ASSY	4	EA	
12	2	.75E8294/A	BRUSH SEAL FRONT/REAR	2	EA	
13	2	.75E8512/A	BRUSH SEAL TOP	1	EA	
14	2		BRUSH SEAL BOTTOM	4	EA	
15	2		HINGE RUBBER	4	EA	
16	2		RUBBER	2	EA	
17	2		RUBBER	2	EA	

## ILLUSTRATED BODY SPARES

ECW/VRT/ED

SECTION K9

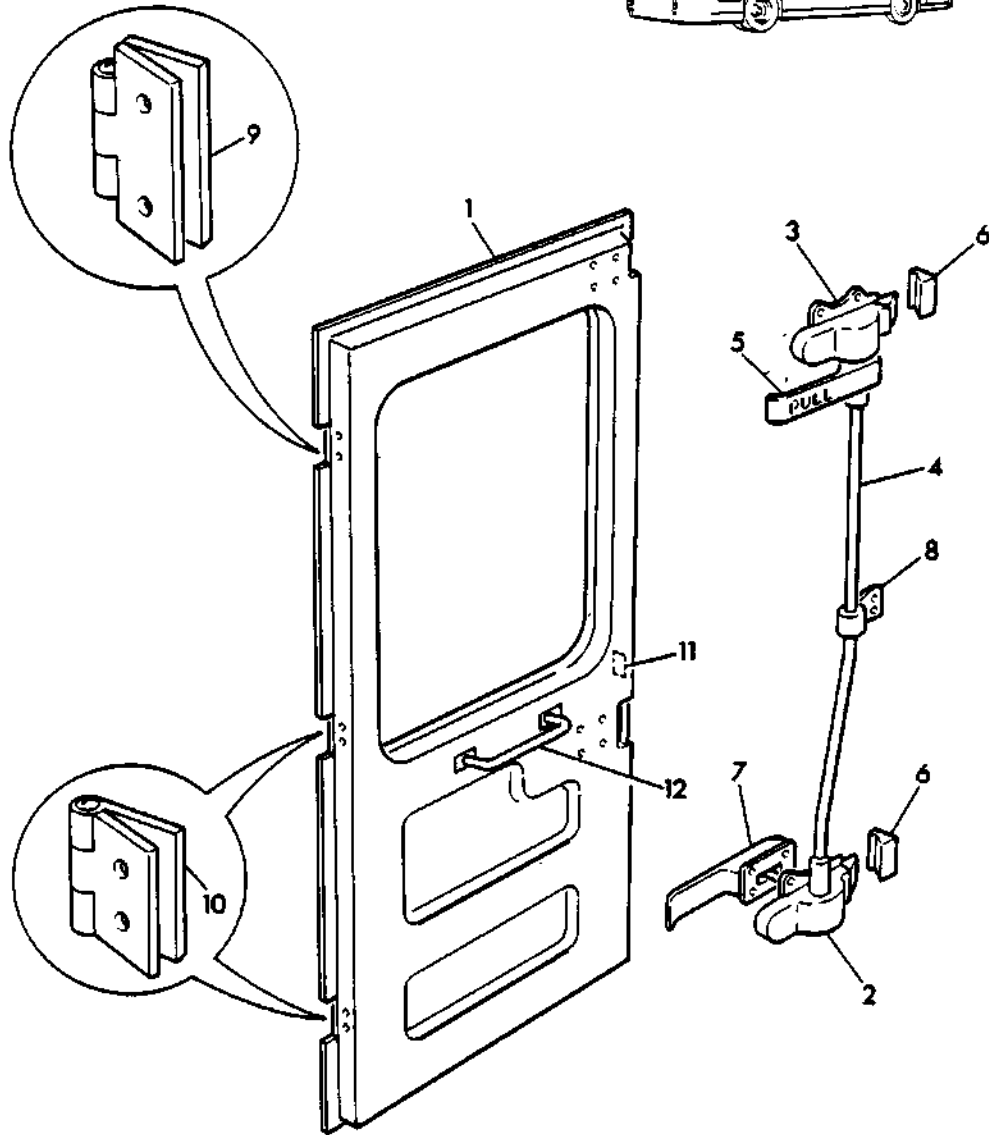
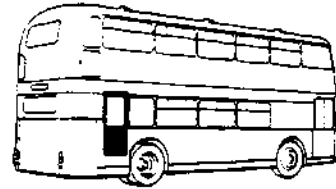
ISSUE

ENTRANCE DOOR

ILL REF NO	ASSY CODE	PART NO	DESCRIPTION	QTY PER ASSY	UOM
18	2	.75D10483 .M75E17585	WING ASSY AIR STRAINER STEM ELBOW C/W FITTINGS	2 1 10	EA EA EA

UNSPECIFIED ITEMS TO DRG 38669

ALWAYS QUOTE CHASSIS/BODY NUMBER WHEN ORDERING PARTS



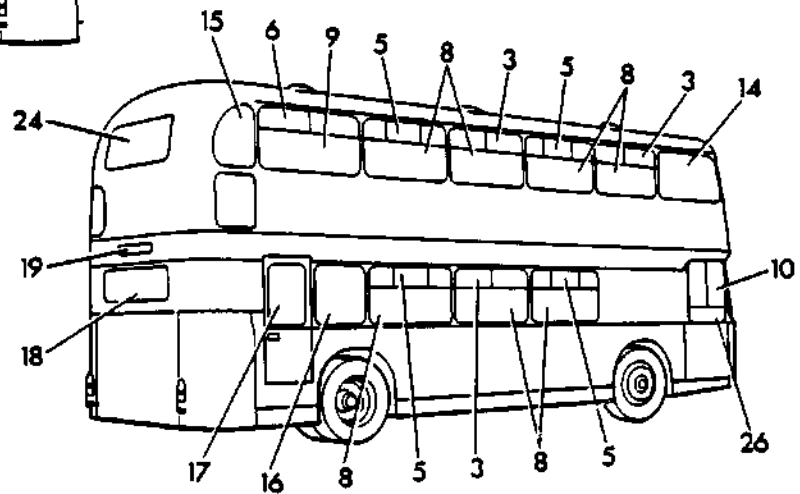
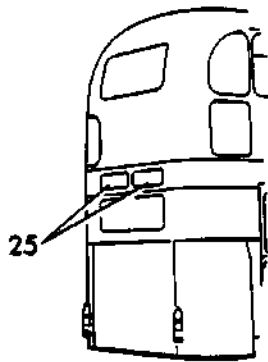
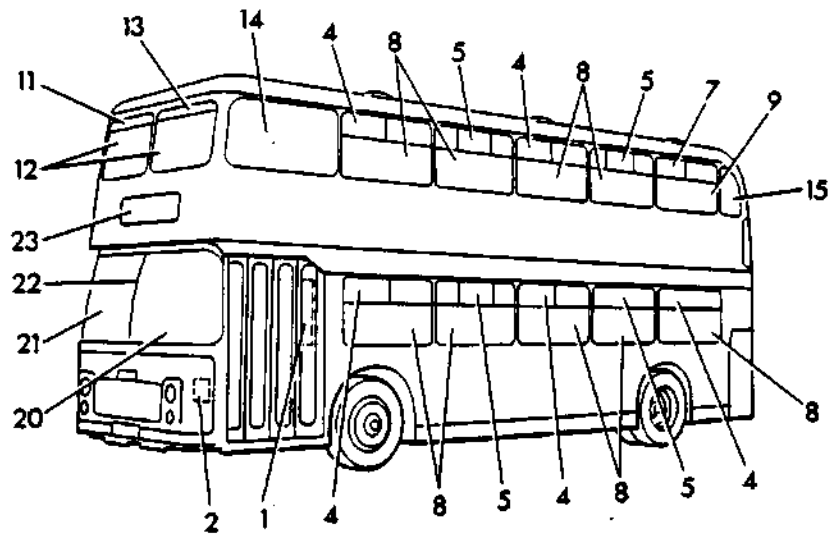
ECW/VRT/EMD

## ILLUSTRATED BODY SPARES ECW/VRT/EMD

SECTION K10

ISSUE		EMERGENCY DOOR L/SALOON				
ILL REF NO	ASSY CODE	PART NO	DESCRIPTION	QTY PER ASSY	UOM	
1	2	.34753	LD EMERGENCY DOOR	1	EA	
	1	34754/2	LD EMERGENCY DOOR LOCKING GEAR ASSY	1	EA	
2	2		BOTTOM LOCK CASE ASSY	1	EA	
3	2		TOP LOCK CASE ASSY	1	EA	
4	2		CONNECTING ROD ASSY	1	EA	
5	2		INTERIOR HANDLE	1	EA	
6	2		DOOR STRIKER	2	EA	
7	2		DOOR GEAR EXIT HANDLE ASSY	1	EA	
8	2		STEADIER	1	EA	
9	2	.BCU0036	HINGE UPPER	1	EA	
10	2	.BCU0031	HINGE CENTRE AND LOWER	2	EA	
11	2	.BCU0085	DOVETAIL UNIT	1	EA	
12	2	.RFH1300	INTERIOR PULL HANDLE	1	EA	

ALWAYS QUOTE CHASSIS/BODY NUMBER WHEN ORDERING PARTS



ECW/VRT/G



## ILLUSTRATED BODY SPARES

ECW/VRT/G

SECTION K12

ISSUE		GLAZING		DESCRIPTION	QTY PER ASSY	UOM
ILL REF NO	ASSY CODE	PART NO				
1	2	.RFH1532		N.S. PARTITION GLASS 13' 8" BODIES ONLY	1	EA
	2*	.BCU0194		GLAZING RUBBER BLACK	1	AR
	2*	.RFH2902		FILLER STRIP	1	AR
1	2	.V3694		N.S. PARTITION GLASS 13' 5" BODIES ONLY	1	EA
	2*	.BCU0194		GLAZING RUBBER BLACK	1	AR
	2*	.RFH2902		FILLER STRIP	1	AR
2	2	.RFH1490		FIRE EXTINGUISHER ENCLOSURE	1	EA
	2*	.RFH1600		GLAZING RUBBER BLACK	1	AR
	2*	.AAU6373		FILLER STRIP	1	AR
3	2	.RFH11578		SLIDING WINDOW	3	EA
	2*	.RFH3611		GLAZING RUBBER BLACK	3	AR
4	2	.RFH3706		SLIDING WINDOW	5	EA
	2*	.RFH3611		GLAZING RUBBER BLACK	5	AR
5	2	.RFH3709		VENTILATOR	8	EA
	2*	.RFH3611		GLAZING RUBBER BLACK	8	AR
6	2	.RFH3707		SLIDING WINDOW	1	EA
	2*	.RFH3611		GLAZING RUBBER BLACK	1	AR
7	2	.RFH3708		SLIDING WINDOW	1	EA
	2*	.RFH3611		GLAZING RUBBER BLACK	1	AR
8	2	.RFH1506		FIXED WINDOW	16	EA
	2*	.RFH3611		GLAZING RUBBER BLACK	16	AR
9	2	.RFH1533		FIXED WINDOW	2	EA
	2*	.RFH3611		GLAZING RUBBER BLACK	2	AR
10	2	.RFH3712		DRIVERS SIGNALLING WINDOW	1	EA
	2*	.RFH4418		GLAZING RUBBER BLACK	1	AR
11	2	.ACU2044/B/1		BULKHEAD VENTILATOR	1	EA
	2*	.RFH3611		GLAZING RUBBER BLACK	2	AR
12	2	.RFH3737		TD FRONT WITH HINGED VENT	1	EA
	2*	.RFH3611		GLAZING RUBBER BLACK	1	AR
13	2	.RFH3711		BULKHEAD VENTILATOR	1	EA
	2*	.RFH3611		GLAZING RUBBER BLACK	1	AR
14	2	.RFH3705		TD FRONT QUARTER	2	EA
	2*	.RFH3611		GLAZING RUBBER BLACK	2	AR

## ILLUSTRATED BODY SPARES

ECW/VRT/G

SECTION K12

ISSUE	GLAZING		DESCRIPTION	QTY PER ASSY	UOM
ILL REF NO	ASSY CODE	PART NO			
15	2 2*	.RFH1509 .RFH3611	TD REAR QUARTER GLAZING RUBBER BLACK	2 2	EA AR
16	2 2*	.RFH3568 .RFH3611	LD OS BAY 6 FIXED GLASS GLAZING RUBBER BLACK	1 1	EA AR
17	2 2*	.RFH1505 .RFH3611	LD EMERGENCY DOOR GLAZING RUBBER BLACK	1 1	EA AR
18	2 2*	.RFH1504 .RFH3611	LD BACK 13' 8" BODIES ONLY GLAZING RUBBER BLACK	1 1	EA AR
18	2 2*	.V3696 .RFH3611	LD BACK 13' 5" BODIES ONLY GLAZING RUBBER BLACK	1 1	EA AR
19	2 2* 2*	.RFH1492 .BCU0213 .RFH2902	REAR REG NO GLASS GLAZING RUBBER BLACK FILLER STRIP	1 1 1	EA AR AR
20	2 2* 2*	.RFH1560 .BCU0190 .AAU9554	NS FRONT SCREEN GLASS 7MM HEATED GLAZING RUBBER BLACK FILLER STRIP	1 1 1	EA AR AR
20	2 2* 2*	.RPH1562 .BCU0190 .AAU9554	NS FRONT SCREEN GLASS 6MM GLAZING RUBBER BLACK FILLER STRIP	1 1 1	EA AR AR
20	2 2* 2*	.RFH1562 .BCU0190 .AAU9554	NS FRONT SCREEN GLASS 7MM LAMINATED GLAZING RUBBER BLACK FILLER STRIP	1 1 1	EA AR AR
21	2 2* 2*	.RFH1561 .BCU0190 .AAU9554	OS FRONT SCREENGlass 7MM HEATED GLAZING RUBBER BLACK FILLER STRIP	1 1 1	EA AR AR
21	2 2* 2*	.RFH1559 .BCU0190 .AAU9554	OS FRONT SCREEN GLASS 6MM GLAZING RUBBER BLACK FILLER STRIP	1 1 1	EA AR AR
21	2 2* 2*	.RFH1563 .BCU0190 .AAU9554	OS FRONT SCREEN GLASS 7MM LAMINATED GLAZING RUBBER BLACK FILLER STRIP	1 1 1	EA AR AR
22	2* 2*	.AAU9546 .AAU9554	GLAZING RUBBER CENTRE JOINT FILLER STRIP	1 1	AR AR
23	2 2* 2*	.NFH3832 .BCU0214 .RFH2902	INDICATOR GLASS GLAZING RUBBER BLACK FILLER STRIP	1 1 1	EA AR AR

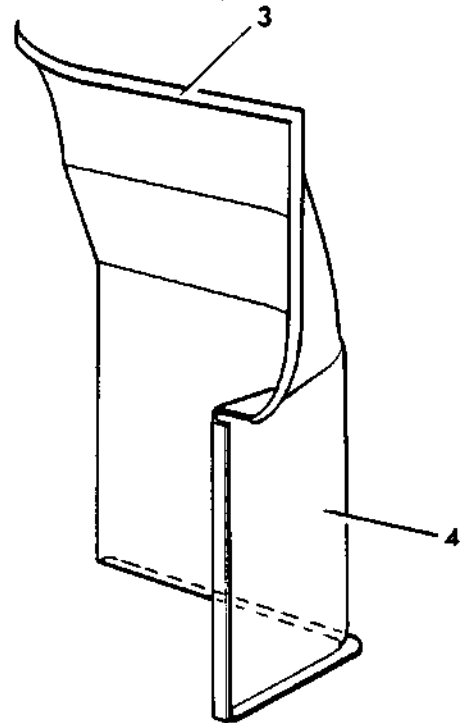
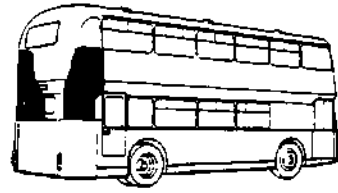
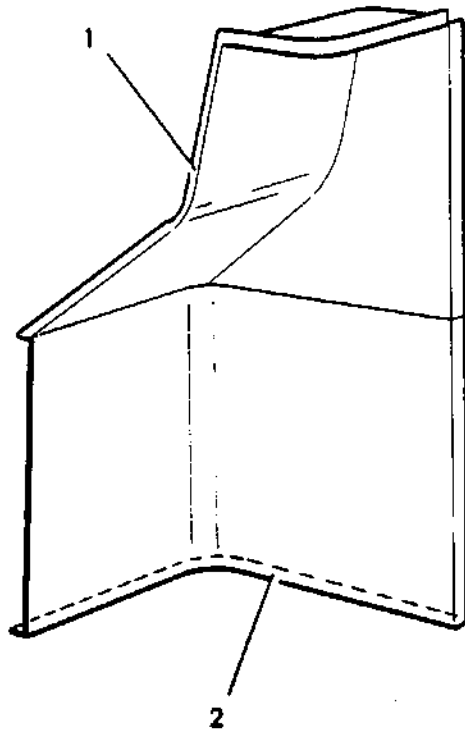
## ILLUSTRATED BODY SPARES

ECW/VRT/G

SECTION K12

ISSUE		GLAZING		DESCRIPTION	QTY PER ASSY	UOM
ILL REF NO	ASSY CODE	PART NO				
23	2	.RFH1568		INDICATOR GLASS	1	EA
	2*	.BCU0214		GLAZING RUBBER BLACK	1	AR
	2*	.RFH2902		FILLER STRIP M9900	1	AR
23	2	.RFH1537		INDICATOR GLASS	1	EA
	2*	.BCU0214		GLAZING RUBBER BLACK	1	AR
	2*	.RFH2902		FILLER STRIP	1	AR
24	2	.RFH1491		TD REAR WINDOW	1	EA
	2*	.RFH3611		GLAZING RUBBER BLACK	1	AR
25	2	.NFH3833		REAR REG NO AND REAR INDICATOR	2	EA
	2*			GLAZING RUBBER BLACK S387	2	AR
	2*	.RFH2895		FILLER STRIP	2	AR
26	2	.RFH3736		FIXED GLASS UNDER SIGNALLING WINDOW	1	EA

ITEMS MARKED \* SUPPLIED BY LENGTH  
ALWAYS QUOTE CHASSIS/BODY NUMBER WHEN ORDERING PARTS



ECW/VRT/END

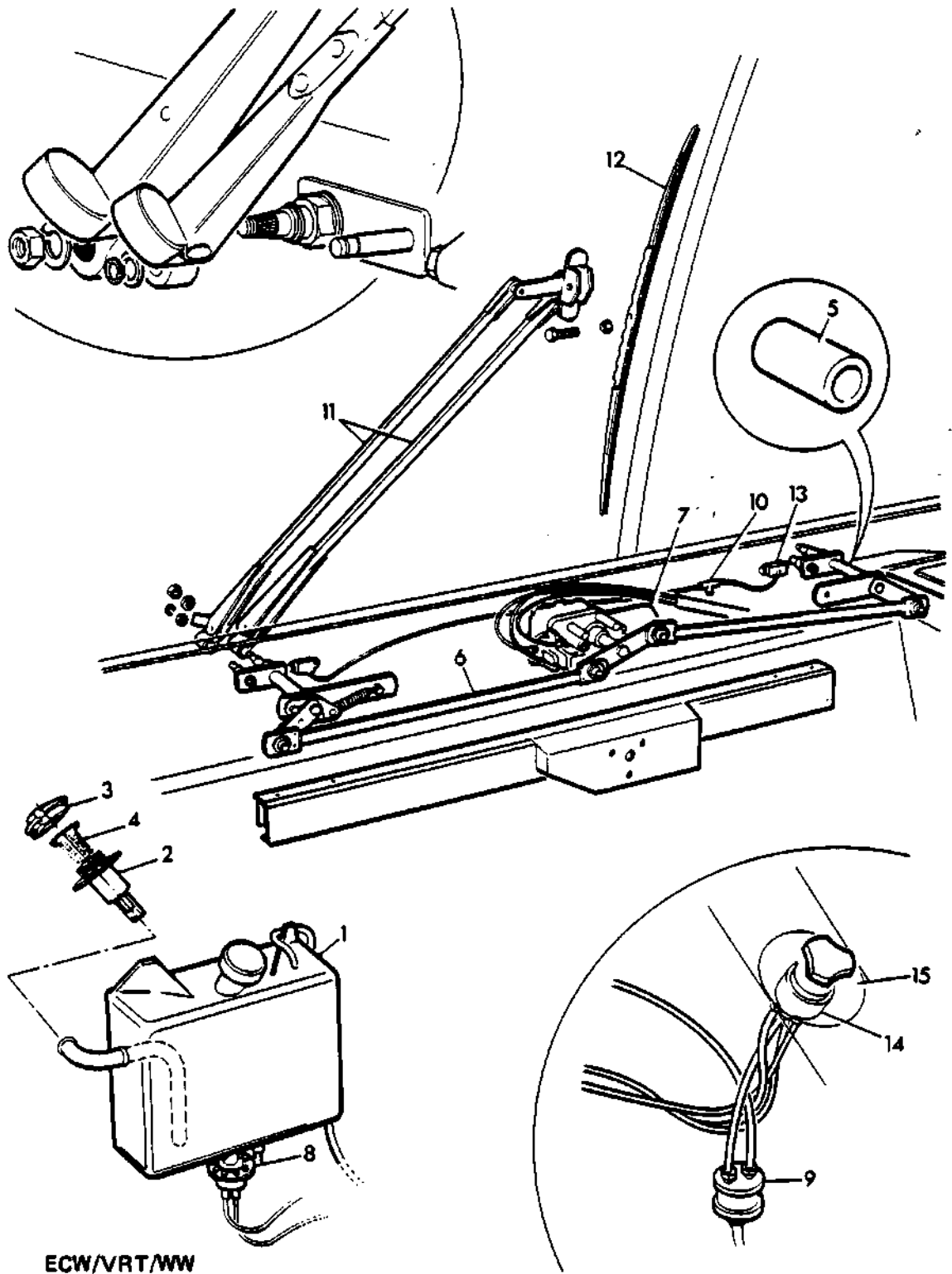
## ILLUSTRATED BODY SPARES

ECW/VRT/END

SECTION K13

ISSUE		ENGINE DUCTS		DESCRIPTION	QTY PER ASSY	UOM
ILL REF NO	ASSY CODE	PART NO				
1	2	.DTD9P		ENGINE AIR DUCT N.S. TOP DECK	1	EA
2	2	.DTD10P .DTE323W		ENGINE AIR DUCT N.S. BTM DECK CASING BLOCK ENG AIRDUCT N.S.	1 1	EA EA
3	2	.DTD11P		ENGINE AIR DUCT O.S. TOP DECK	1	EA
4	2	.DTD12P .DTE326W		ENGINE AIR DUCT O.S. BTM DECK CASING BLOCK ENG AIR DUCT O.S.	1 1	EA EA

ALWAYS QUOTE CHASSIS/BODY NUMBER WHEN ORDERING PARTS



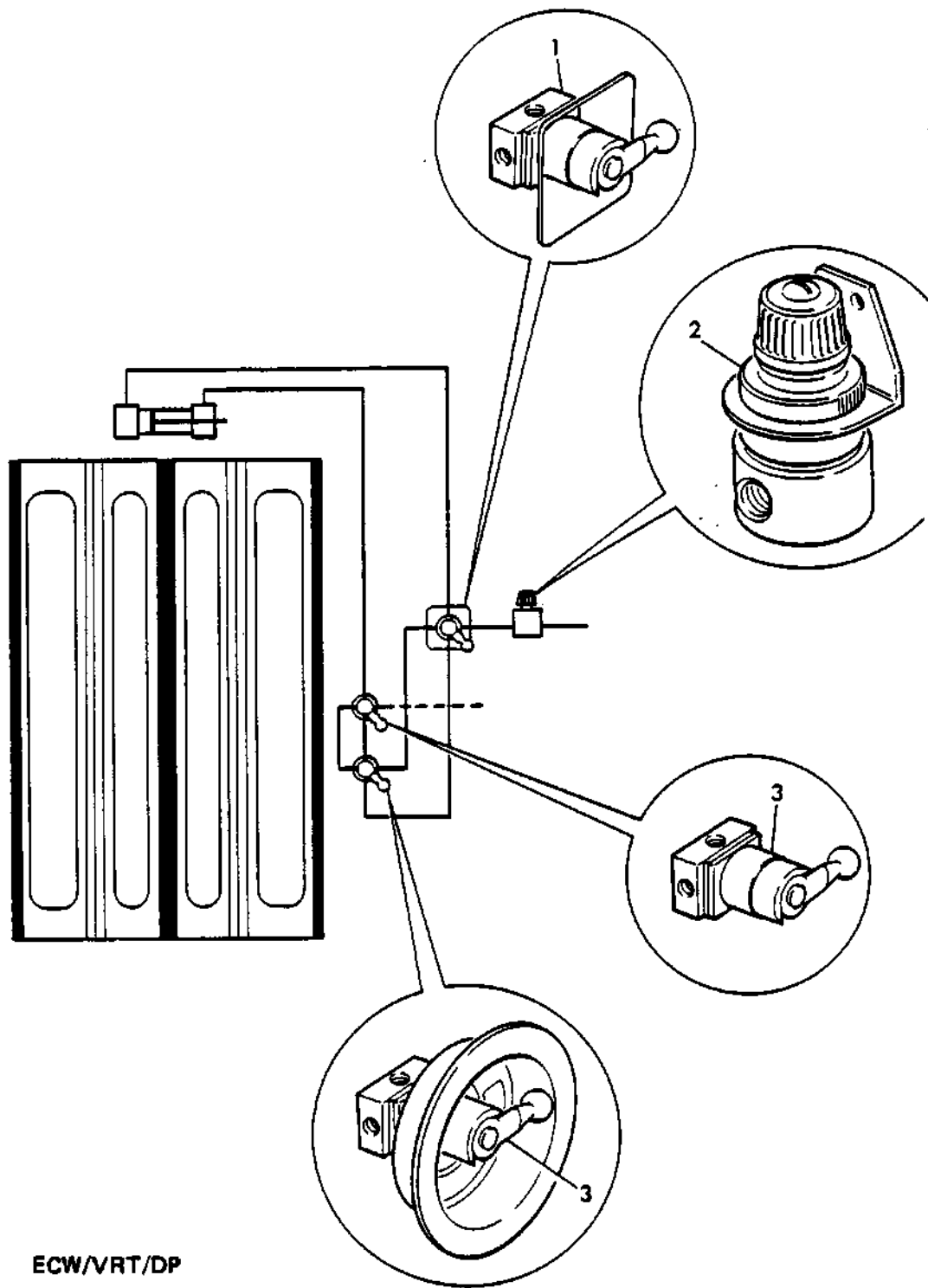
ECW/VRT/WW

## ILLUSTRATED BODY SPARES ECW/VRT/WW

SECTION K16

ISSUE		WINDSCREEN WIPERS AND WASHERS			
ILL REF NO	ASSY CODE	PART NO	DESCRIPTION	QTY PER ASSY	UOM
1	2	.RFH1422	SCREEN WASH BOTTLE	1	EA
	2	.BCU1578	ADAPTOR	1	EA
2	2	.RLG1.247M	S/WASH FILLER CAP ADAPTOR ASSY	1	EA
	2	.RFH1400	ADAPTOR FOR CAP	1	EA
3	2	.RFH1398	FILLER CAP	1	EA
4	2	.RFH1399	FILTER	1	EA
	2	.RFH1421	HOSEQUIP + PIECE	1	EA
5	2	.NFH6727	WIPER/MTG BRKT DISTANCE TUBE	2	10
6	2	.BCU1569	LINKAGE ASSY	1	EA
7	2	.BCU1568	MOTOR SHAFT/LEVER ASSY	1	EA
8	2	.RFH3704	PRESSURE CHAMBER	1	EA
9	2	.BCU1570	AIR FILTER AND CLIP ASSY	1	EA
10	2	.RFH3729	TEE PIECE	1	EA
11	2	.BCU1571	PANTOGRAPH ARM ASSY	2	EA
12	2	.BCU1572	BLADE ASSY	2	EA
13	2	.RFH3728	JET ASSY	2	EA
14	2	.RFH1346	DASH CONTROL ASSY	1	EA
15	2	.BCU0840	DASH CONTROL PLATE	1	EA

ALWAYS QUOTE CHASSIS/BODY NUMBER WHEN ORDERING PARTS



ECW/VRT/DP



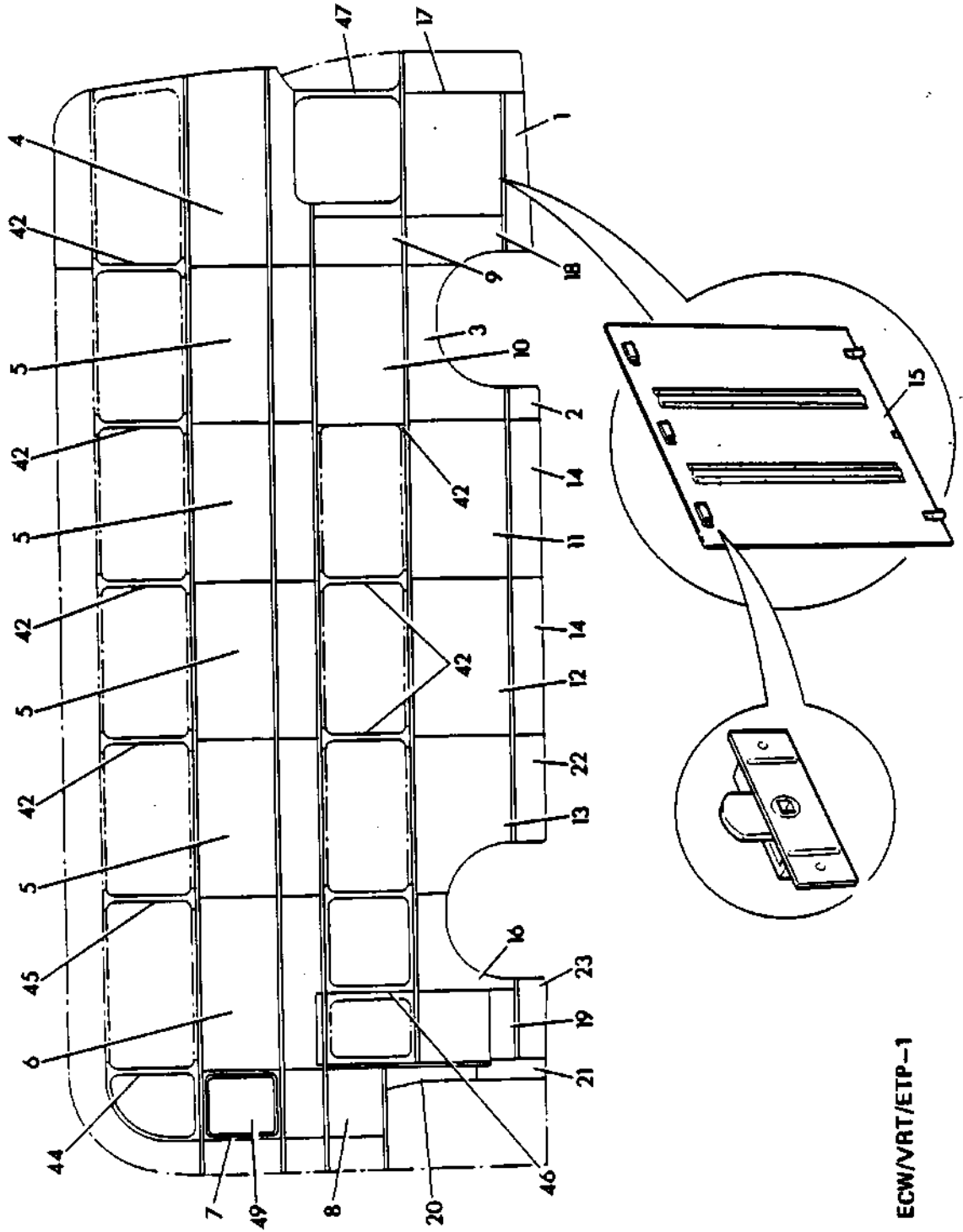
## ILLUSTRATED BODY SPARES

ECW/VRT/DP

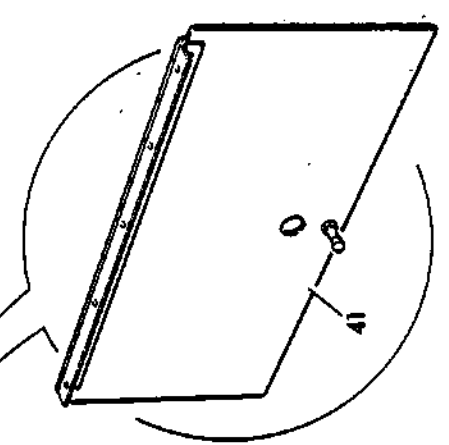
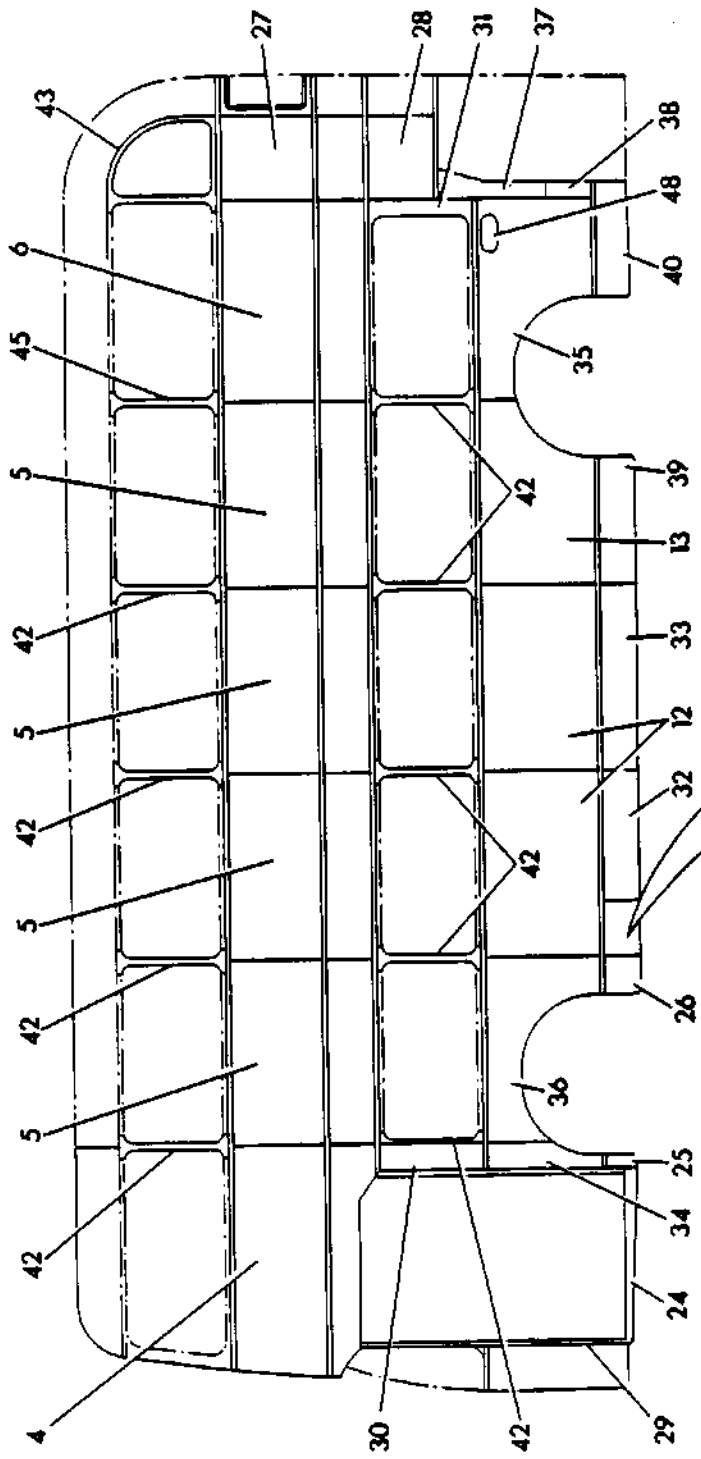
SECTION K17

ISSUE		DOOR PIPINGS			
ILL REF NO	ASSY CODE	PART NO	DESCRIPTION	QTY PER ASSY	UOM
1	2	.75D16730	DRIVES CONTROL VALVE	1	EA
2	2	.75E17050	REGULATOR	1	EA
3	2	.75D16740	EMERGENCY VALVE INTERIOR & EXTERIOR	2	EA
	2	.75D14943	DISH ASSEMBLY EXTERIOR VALVE	1	EA

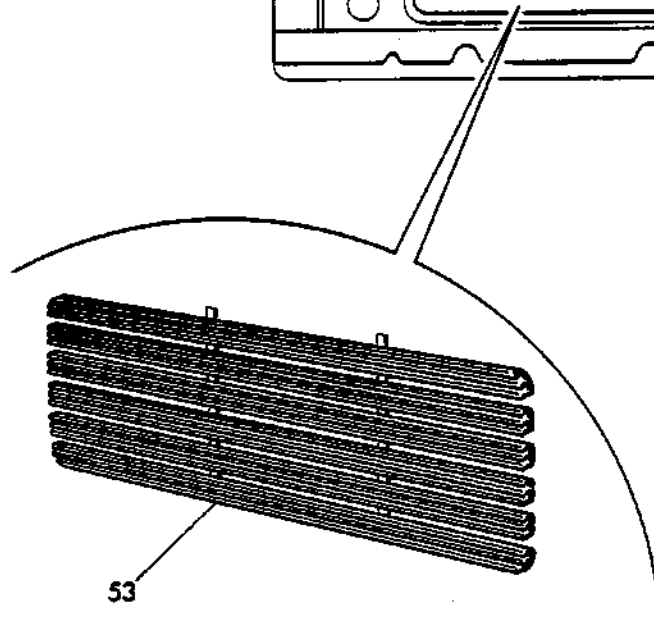
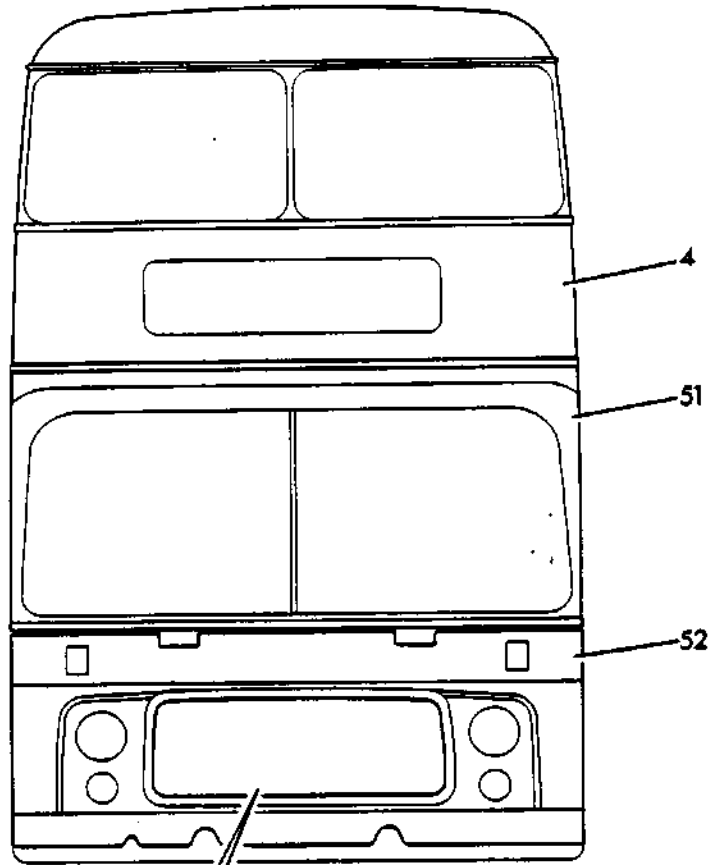
ALWAYS QUOTE CHASSIS/BODY NUMBER WHEN ORDERING PARTS



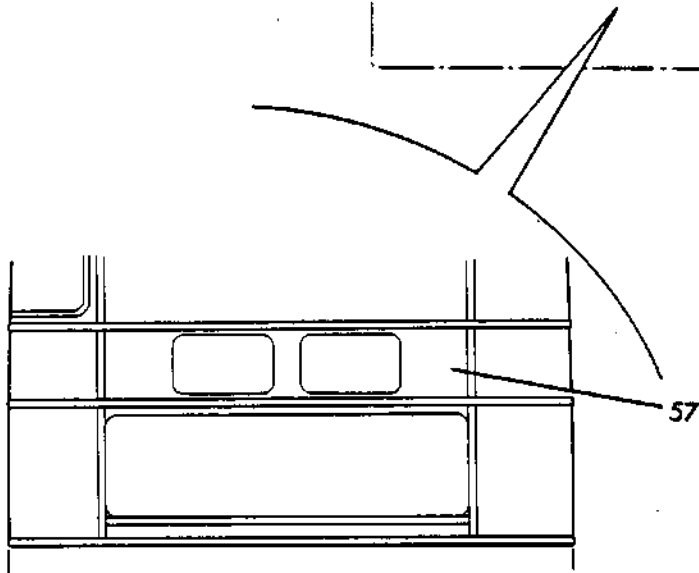
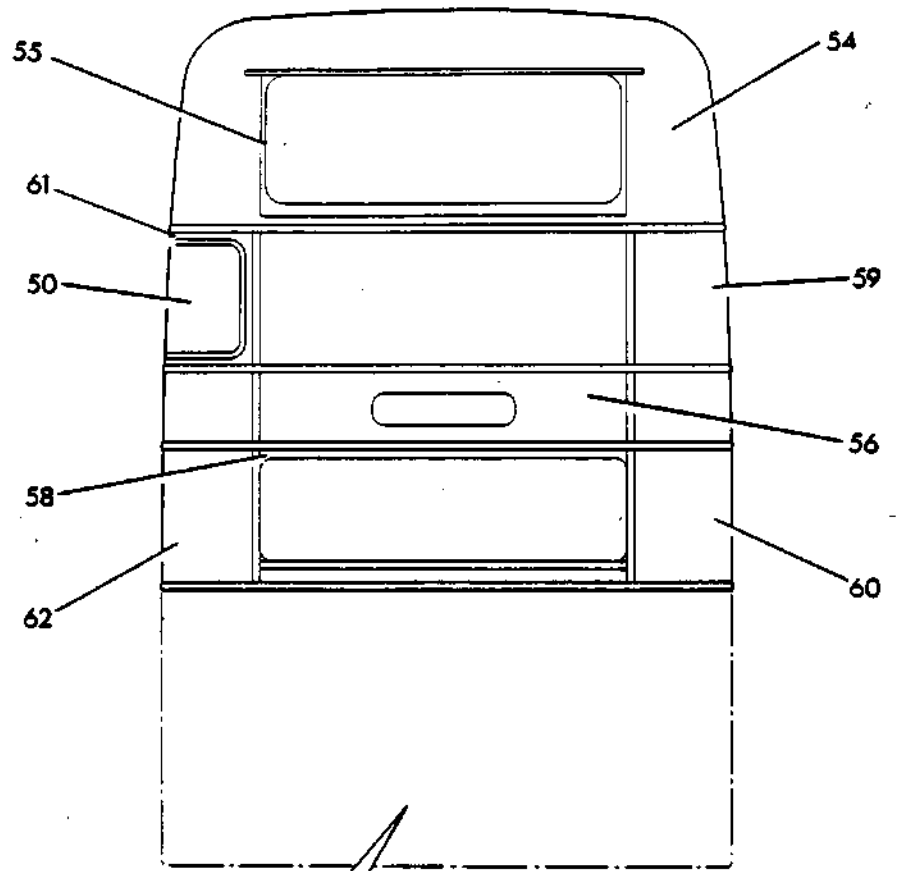
ECW/RT/ETP-1



ECW/VRT/ETP-2



ECW/VRT/ETP-3



ECW/VRT/ETP-4

## ILLUSTRATED BODY SPARES

ECW/VRT/ETP

SECTION K19

ISSUE

EXTERIOR TRIM PANELS

ILL REF NO	ASSY CODE	PART NO	DESCRIPTION	QTY PER ASSY	UOM
1	2	.DTB15P	SKIRT VALANCE OFF SIDE BAY 1	1	EA
2	2	.DNB9P	SKIRT VALANCE REAR OF FRONT WHEEL ARCH OFF SIDE	1	EA
3	2	.DNZ11M	SIDE PANEL B.D. WAIST TO SOLEBAR BAY 2 OFF SIDE	1	EA
4	2	.DTCC30P	TOP DECK FRONT STRUCTURE	1	EA
5	2	.FTLZ26	SIDE PANEL TO BAYS 2,3,4,5, OS/NS	8	EA
6	2	.DTZ80M	SIDE PANEL TO BAY 6 OS/NS	2	EA
7	2	.DTZ430M	SIDE PANEL TO BAY 7 OFF SIDE	1	EA
8	2	.DTZ640M	BAY 7 OFF SIDE PANEL WAIST TO GLASS RAIL	1	EA
9	2	.DTZ27M	SIDE PANEL B.D. WAIST TO GLASS RAIL BAY 1 OFF SIDE REAR	1	EA
10	2	.DNZ18M	SIDE PANEL B.D. WAIST TO CANT BAY 2 OFF SIDE	1	EA
11	2	.DTZ16M	SIDE PANEL B.D. WAIST TO SOLEBAR BAY 3 OFF SIDE	1	EA
12	2	.DNZ12M	SIDE PANEL B.D. WAIST TO SOLEBAR BAYS 3,4, NEAR SIDE BAY 4, OFF SIDE	3	EA
13	2	.DTZ82M	SIDE PANEL B.D. WAIST TO SOLEBAR	2	EA
14	2	.DNB4P	SKIRT VALANCE BAYS 3 & 4 OFF SIDE BAY 5 OS/NS	2	EA
15	2 2	.DTB597M .BCU0093	DETACHABLE PANEL OS BAY 1 BUDGET LOCK	1 3	EA EA
16	2	.DTZ84M	SIDE PANEL B.D. WAIST TO SOLEBAR BAY 6 OFF SIDE	1	EA
17	2	.DTZ475M	OFF SIDE FRONT CORNER PILLAR SHEATHING	1	EA

## ILLUSTRATED BODY SPARES ECW/VRT/ETP

SECTION K19

ISSUE		EXTERIOR TRIM PANELS				
ILL REF NO	ASSY CODE	PART NO	DESCRIPTION	QTY PER ASSY	UOM	
18	2	.DTZ702M	SIDE PANEL B.D. WAIST TO SOLEBAR BAY 1 OFF SIDE	1	EA	
19	2	.DTZ103M	SIDE PANEL BELOW EMERGENCY DOOR OFF SIDE	1	EA	
20	2	..DTZ654M	SHEATHING FWD OF ENG POD OFF SIDE	1	EA	
21	2	.DTZ656M	DET PANEL FWD OF ENG POD OFF SIDE	1	EA	
22	2	.DTB6P	SKIRT VALANCE BAY 5 OFF SIDE	1	EA	
23	2	.DTB22P	SKIRT VALANCE REAR OF REAR WHEEL ARCH OFF SIDE	1	EA	
24	2	.DTB16P	ENT STEP VALANCE	1	EA	
25	2	.DTB17P	SKIRT VALANCE FRONT OF FRONT NEAR SIDE WHEEL ARCH	1	EA	
26	2	.DNB8P	SKIRT VALANCE REAR OF FRONT NEAR SIDE WHEEL ARCH	1	EA	
27	2	.DTZ425M	SIDE PANEL TOP DECK BAY 7 NS	1	EA	
28	2	.DTZ644M	SIDE PANEL B.D. WAIST TO GLASS RAIL BAY 7 NEAR SIDE	1	EA	
29	2	.DTZ474M	NEAR SIDE FRONT CORNER PILLAR SHEATHING	1	EA	
30	2	.DTZ315M	SIDE PANEL B.D. TO CANT BAY 1 NS	1	EA	
31	2	.DTZ429M	SIDE PANEL BAY 6 REAR NS LOWER DECK WAIST TO GLASS RAIL	1	EA	
32	2	.DTB18P	SKIRT VALANCE BAY 3 NEAR SIDE	1	EA	
33	2	.DNB3P	SKIRT VALANCE BAY 4 NEAR SIDE	1	EA	
34	2	.DTZ700M	SIDE PANEL B.D. WAIST TO SOLEBAR BAY 1 NEAR SIDE	1	EA	
35	2	.DTZ461M	SIDE PANEL B.D. WAIST TO SOLEBAR BAY 6 NEAR SIDE	1	EA	

ILLUSTRATED BODY SPARES ECW/VRT/ETP

SECTION K19

ISSUE	EXTERIOR TRIM PANELS				QTY	UOM
ILL REF NO.	ASSY CODE	PART NO	DESCRIPTION		PER ASSY	
36	2	.DNZ10M	SIDE PANEL B.D. WAIST TO SOLEBAR BAY 2 NEAR SIDE		1	EA
37	2	.DTZ653M	SHEATHING FWD OF ENG POD NEAR SIDE		1	EA
38	2	.DTZ655M	DET. PANEL FWD OF ENG POD NEAR SIDE		1	EA
39	2	.DTB5P	SKIRT VALANCE BAYS NEAR SIDE		1	EA
40	2	.DTB10P	SKIRT VALANCE REAR OF REAR NEAR SIDE WHEEL ARCH		1	EA
41	2	.DTB383M	HINGED VALANCE BATTERY BOOST/ ISOLATION		1	EA
42	2	.FLTZ14	GLAZING PAN BAYS 2,3,4,5. TOP DECK NS/OS, BAYS 3,4,5. BD OS AND BAYS 2,3,4,5,6. BD NS.		16	EA
43	2	.DTZ200M	GLAZING PAN BAY 7 TD NS		1	EA
44	2	.DTZ201M	GLAZING PAN BAY 7 TD OS		1	EA
45	2	.DTZ8M	GLAZING PAN BAY 6 TD NS/OF		2	EA
46	2	.DTZ9M	GLAZING PAN BAY 6 BD OS		1	EA
47	2	.DTZ292M	GLAZING PAN BAY 1 OS DRIVERS WINDOW		1	EA
48	2	.DTZ463M	HEATER AIR INTAKE MESH		1	EA
49	2	.DTZ455M	ENGINE AIR INTAKE MESH OS		1	EA
50	2	.DTZ456M	ENGINE AIR OUTLET MESH NS		1	EA
51	2	.DTC14P	SCREEN SURROUND PANEL		1	EA
52	2	.DTC144M	FRONT DETACHABLE PANEL STD		1	EA



ILLUSTRATED BODY SPARES ECW/VRT/ETP SECTION K19

ISSUE		EXTERIOR TRIM PANELS			QTY PER ASSY	UOM
ILL REF NO	ASSY CODE	PART NO	DESCRIPTION			
53	2	.DTC126P	RADIATOR GRILL ASSY	1	EA	
54	2	.DTD4P	REAR DOME EXTERIOR PANEL	1	EA	
55	2	.DTEM3P	TOP DECK BACK EMERGENCY WINDOW	1	EA	
56	2	.DTZ93M	TOP DECK REAR PANEL BODIES WITHOUT REAR INDICATOR	1	EA	
57	2	.DTZ626M	TOP DECK REAR PANEL BODIES WITH REAR INDICATOR	1	EA	
58	2	.DTZ4M	GLAZING PAN BD BACK	1	EA	
59	2	.ONZ21M	REAR CORNER PANEL TO WAIST TO INTER CANT OS	1	EA	
60	2	.DTZ642M	REAR CORNER PANEL INTER CANT TO BD WAIST OS	1	EA	
61	2	.DTZ431M	REAR CORNER PANEL TO WAIST TO INTER CANT NS	1	EA	
62	2	.DTZ641M	REAR CORNER PANEL INTER CANT TO BD WAIST NS	1	EA	

ALWAYS QUOTE CHASSIS/BODY NUMBER WHEN ORDERING PARTS