



KING LONG
B U S E S

XMQ6900J PARTS CATALOGUE
(Malta)

Series No. AC600001

XIAMEN KINGLONG UNITED AUTOMOTIVE INDUSTRY CO., LTD.

Nov., 2010CHINA

---Edition number: 1 ---

Preface

Dear users of Kinglong Bus:

Thanks for your choice of Kinglong Bus!

King Long company takes human-oriented, penetrates active service to every tache of before sales and after sales is our service principle. In order to fulfill our services in a better way, we have made “ XMQ6900J Parts Catalog. This catalog has included the name, code, specification, quantity of the parts constituting the assembly or systems and the installation relationship pictures among various parts for your reference at maintenance and buying parts.

To make certain you can buy correct King Long bus parts, you should pay attention to the following notes when you buy XMQ6900J series buses parts of King Long company:

1. “XMQ6900J Parts Catalog” is only applicable to XMQ6900J series buses of King Long Company, it is unavailable for other types;
2. With the increasing improvement of product structure or technology and new requirements raised by users, there may be some difference between partial structures of products you have bought and the related introduction to them in this book. In such a case, the practical object should be followed. You are kindly required to make such information as bus type, production No. and part code known to us for the correct supply of your desired parts at buying. We will replenish and perfect this atlas constantly at a proper time, we are truly sorry to bring you inconvenience before the correcting ;
3. To make certain the quality of the parts you buy, please purchase the parts at king long service stations、 franchised dealers、 spares department at Kinglong bus headquarter and retail center.

“XMQ6900J Parts Catalog” is designed by Kinglong United Automotive Industry Co. , Ltd, . And you are kindly required to point out the unavoidable defects for the increasing perfection of this atlas.

We sincerely express our thanks for your concern and deep favor for Kinglong Bus, and also wish you and your unit a thriving business and plain sailing!

Parts consultation telephone:+86- 592-6370857

Fax : :+86- 592-6371120

Xiamen King long United Automotive Industry Co. , Ltd,
Nov., 2010

康明斯发动机 (ISBE6.7E5 250B) 21944087
发动机维修包

Set, Upper Engine Gasket

序号 Item No.	零件代码 Part No.	中文名称 Chinese Name	英文名称 English Name	数量 Quantity	适用车型 Bus Model	备注 Notes
	2830409	O 形密封圈	O ring	1		
	3678603	O 形密封圈	O ring	2		
	3678925	O 形密封圈	O ring	1		M10 X 1.00
	3867646	O 形密封圈	O ring	1		
	3906698	矩形密封圈	rectangle sealing ring	1		
	3919869		Gear, Idler	1		
	3922794	O 形密封圈	O ring	2		
	3928624	O 形密封圈	O ring	2		
	3947530		Gasket, Int Manifold Cover	1		
	3949530	涡轮增压器密封垫	Gasket, turbocharger	1		
	3954829		Seal, Thermostat	1		
	3955339		Gasket, Exhaust Manifold	6		
	3963983		Washer, Sealing	5		
	3963988		Washer, Sealing	1		
	3963990		Washer, Sealing	7		
	3969988	接头密封垫	Seal gasket	2		
	3976371		Seal, Injector	6		
	3977393	O 形密封圈	O ring	6		
	4010643	O 形密封圈	O ring	2		
	4891288		Gasket, Oil Drain	2		
	4896897		Gasket, Acc Drive Cover	1		
	4898372	O 形密封圈	O ring	1		

发动机维修包
Set, Upper Engine Gasket

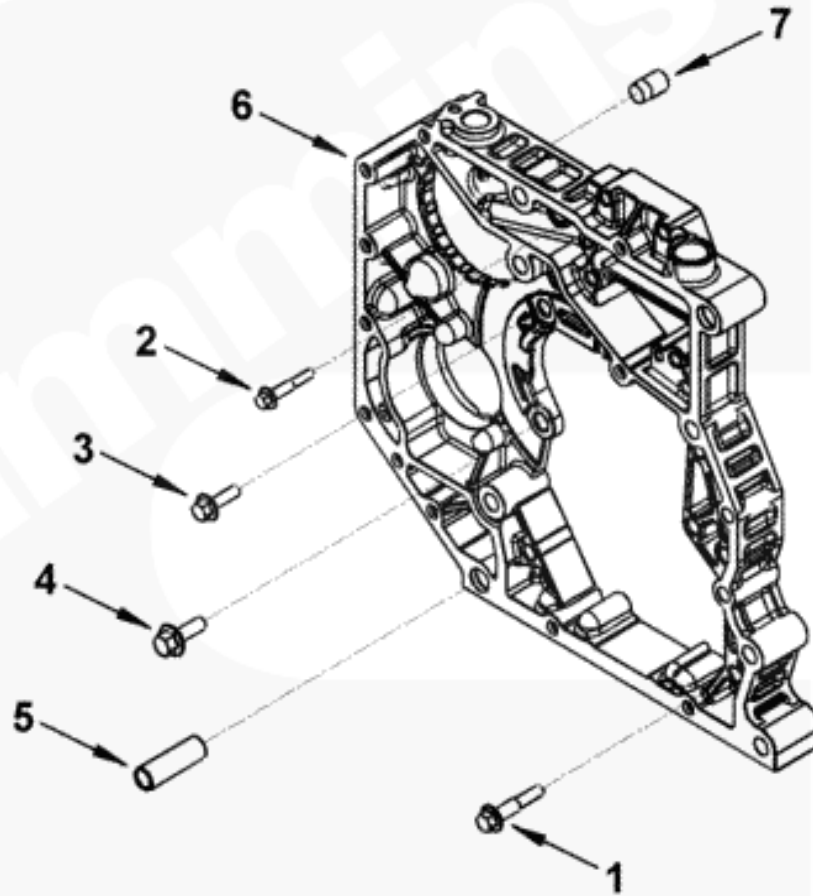
序号 Item No.	零件代码 Part No.	中文名称 Chinese Name	英文名称 English Name	数量 Quantity	适用车型 Bus Model	备注 Notes
	4899226		Gasket, Valve Cover	1		
	4899231		Gasket, Rkr Lever Housing	1		
	4931365		Gasket, Oil Drain	1		
	4932210		Gasket, Cylinder Head	1		
	2830409	O 形密封圈	O ring	1		
	2830559		Gasket, Oil Cooler Core	1		Serviced as 3977913
	2831077	滤清器座密封垫	Gasket, filter seat	1		
	3902425		Washer, Sealing	1		
	3906252	矩形密封圈	rectangle sealing ring	1		
	3906697	矩形密封圈	rectangle sealing ring	2		
	3906698	矩形密封圈	rectangle sealing ring	1		
	3929457	O 形密封圈	O ring	1		
	3939258		Gasket, Cover Plate	1		
	3939357		Gasket, Cover Plate	1		
	3949562		Gasket, Flange	1		
	3959797		Gasket, Oil Pan	1		
	3963988		Washer, Sealing	1		
	3963990		Washer, Sealing	1		
	3974127	滤清器座密封垫	Gasket, filter seat	1		Serviced as 3977913
	4890832		Seal, Oil	1		
	4895710	O 形密封圈	O ring	1		
	4898301		Gasket, Oil Suc Connection	1		
	4898372	O 形密封圈	O ring	1		

发动机维修包
Set, Upper Engine Gasket

序号 Item No.	零件代码 Part No.	中文名称 Chinese Name	英文名称 English Name	数量 Quantity	适用车型 Bus Model	备注 Notes
	4934344		Gasket, Oil Pan	1		
	4955372		Kit, Rear Crank Seal	1		
	3904325		Tool, Seal Installation	1		
	3909409		Tool, Seal Installation	1		
	4936646		Seal, Oil	1		Serviced as 4955372

后齿轮室
Rear Gear Housing

©Cummins Inc



bb903gl

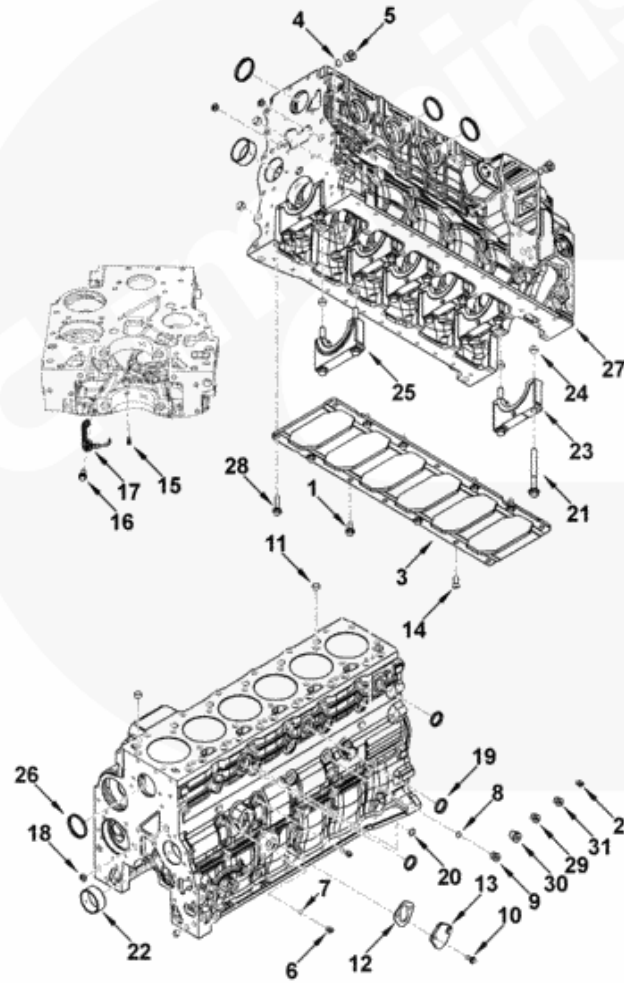
后齿轮室

Rear Gear Housing

序号 Item No.	零件代码 Part No.	中文名称 Chinese Name	英文名称 English Name	数量 Quantity	适用车型 Bus Model	备注 Notes
1	3918153		Screw, Hex Flange Head Cap	3		M10 X 1.50 X 50
2	3901445		Screw, Hex Flange Head Cap	4		M8 X 1.25 X 45
3	3903112		Screw, Hex Flange Head Cap	2		M10 X 1.50 X 30
4	3910495		Screw, Hex Flange Head Cap	1		M12 X 1.75 X 30
	4936423		Housing, Gear	1		
5	3954616		Dowel, Ring	2		
6	4936420		Housing, Gear	1		
7	4929128		Insert, Threaded	2		

缸体
Cylinder block

©Cummins Inc



bb912gj

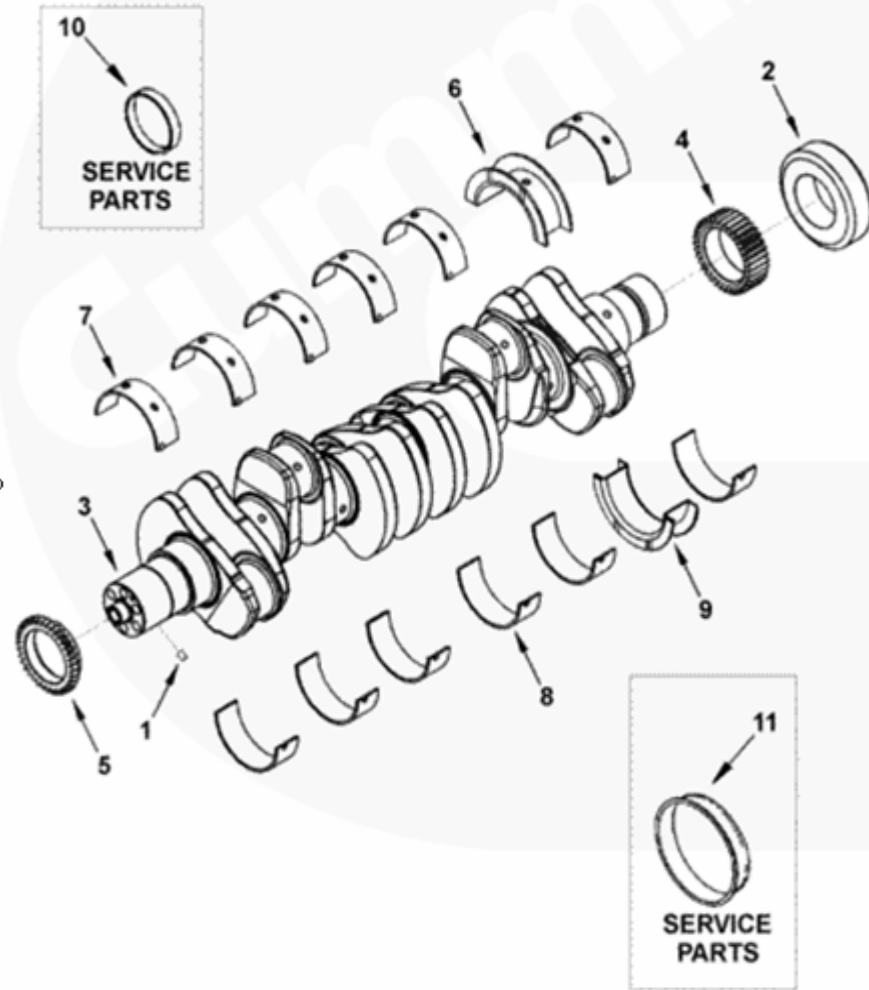
缸体
Cylinder block

序号 Item No.	零件代码 Part No.	中文名称 Chinese Name	英文名称 English Name	数量 Quantity	适用车型 Bus Model	备注 Notes
1	3902460		Screw, Hex Flange Head Cap	13		M10 X 1.50 X 25
2	3977851	螺塞	Screw plug	1		
3	4945783		Stiffener, Cylinder Block	1		
	4955412		Kit, Cylinder Block	1		
	4089502		Kit, Cyl Block Hardware	1		
	3678873	螺塞	Screw plug	2		
4	3678786	O形密封圈	O ring	1		
5	3678791	螺塞	Screw plug	1		
	3678923	螺塞	Screw plug	2		M10 X 1 X 13.5
6	3678924	螺塞	Screw plug	1		M10 X 1 X 13.5
7	3678925	O形密封圈	O ring	1		M10 X 1.00
	3680420	螺塞	Screw plug	1		
8	3678912	O形密封圈	O ring	1		
9	3680419	螺塞	Screw plug	1		
10	3900630		Screw, Hex Flange Head Cap	2		M8 X 1.25 X 20
11	3902343		Dowel, Ring	2		
12	3939258		Gasket, Cover Plate	1		
13	3948083	盖板	Cover board	1		
14	3949830		Screw, Round Head Cap	1		
15	3959574		Plug, Piston Cooling	6		
16	3964817		Screw, Banjo Connector	6		
17	4937308		Nozzle, Piston Cooling	6		
	4991099		Block, Cylinder	1		Serviced as 4955412

缸体
Cylinder block

序号 Item No.	零件代码 Part No.	中文名称 Chinese Name	英文名称 English Name	数量 Quantity	适用车型 Bus Model	备注 Notes
18	3900956	膨胀塞	Expansion plug	2		
19	3905401	膨胀塞	Expansion plug	3		
20	3914035	膨胀塞	Expansion plug	3		
21	3927948		Screw, Hex Flange Head Cap	14		
22	4983253		Bushing	2		
	3974157		Cap, Main Bearing	6		
23	3974156		Cap, Main Bearing	1		
24	3900068		Dowel, Ring	2		
	3974159		Cap, Main Bearing	1		
25	3974158		Cap, Main Bearing	1		
26	4938189	膨胀塞	Expansion plug	4		
27	4990447		Block, Cylinder	1		
28	3936352		Screw, Hex Flange Head Cap	2		
29	3977853	螺塞	Screw plug	1		
30	3977855	螺塞	Screw plug	2		
31	3977854	螺塞	Screw plug	1		

曲轴及轴瓦
Crankshaft and Main Bearin



曲轴及轴瓦
Crankshaft and Main Bearin

序号 Item No.	零件代码 Part No.	中文名称 Chinese Name	英文名称 English Name	数量 Quantity	适用车型 Bus Model	备注 Notes
1	4934861		Crankshaft, Engine	1		
	3955030		Dowel, Pin	1		
2	4934862		Crankshaft, Engine	1		
	2831066		Collar, Shaft	1		
3	3968164		Crankshaft, Engine	1		
4	4934418		Gear, Crankshaft	1		
5	4934419		Gear, Crankshaft	1		
6	3927772		Bearing, Crankshaft Thrust	1		标准
7	3929016		Bearing, Main	6		标准
8	3929021		Bearing, Main	6		标准
9	3945528		Bearing, Crankshaft Thrust	1		标准
7	3929017		Bearing, Main	A/R		0.25 mm Oversize
7	3929018		Bearing, Main	A/R		0.50 mm Oversize
7	3929019		Bearing, Main	A/R		0.75 mm Oversize
7	3929020		Bearing, Main	A/R		1.00 mm Oversize
8	3929022		Bearing, Main	A/R		0.25 mm Oversize
8	3929023		Bearing, Main	A/R		0.50 mm Oversize
8	3929024		Bearing, Main	A/R		0.75 mm Oversize
8	3929025		Bearing, Main	A/R		1.00 mm Oversize
9	3945664		Bearing, Crankshaft Thrust	A/R		0.25 mm Oversize
9	3945665		Bearing, Crankshaft Thrust	A/R		0.50 mm Oversize
9	3945666		Bearing, Crankshaft Thrust	A/R		0.75 mm Oversize
9	3945667		Bearing, Crankshaft Thrust	A/R		1.00 mm Oversize

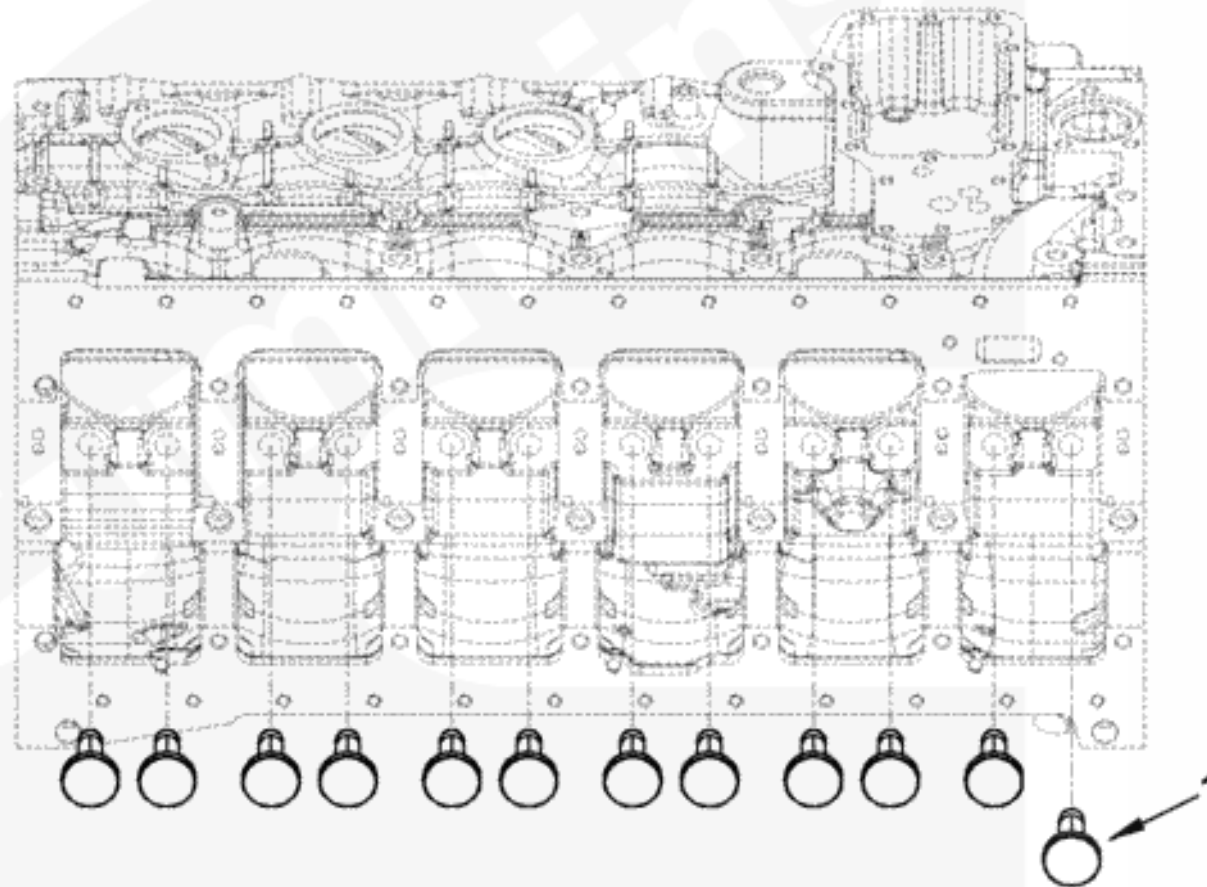
曲轴及轴瓦

Crankshaft and Main Bearin

序号 Item No.	零件代码 Part No.	中文名称 Chinese Name	英文名称 English Name	数量 Quantity	适用车型 Bus Model	备注 Notes
9	3945662		Bearing, Crankshaft Thrust	A/R		0.50 mm Oversize
9	3945663		Bearing, Crankshaft Thrust	A/R		1.00 mm Oversize
10	3802820		Front Seal, Wearsleeve Kit	A/R		Front
11	3926126		Rear Seal, Wear Sleeve Kit	A/R		Rear

气门挺杆
Valve tappet

©Cummins Inc



bb902zk

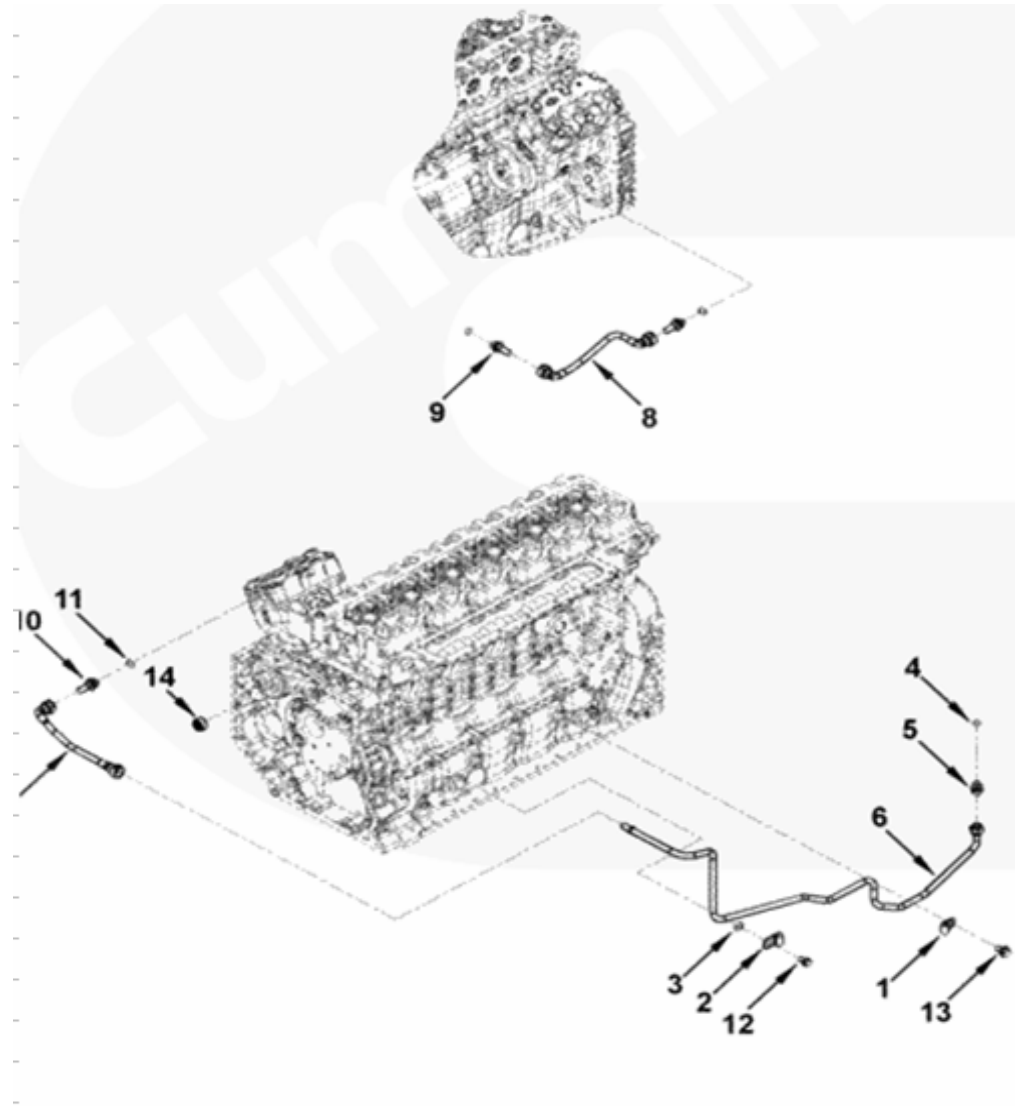
气门挺杆
Valve tappet

序号 Item No.	零件代码 Part No.	中文名称 Chinese Name	英文名称 English Name	数量 Quantity	适用车型 Bus Model	备注 Notes
1	3947759		Tappet, Valve	12		

曲轴箱呼吸器
Crankcase breather

序号 Item No.	零件代码 Part No.	中文名称 Chinese Name	英文名称 English Name	数量 Quantity	适用车型 Bus Model	备注 Notes
1	2830405		Breather, Crankcase	1		
2	2830409	○形密封圈	O ring	1		
3	3901865		Screw, Hex Flange Head Cap	3		M6 X 1.00 X 20
4	3917995		Clamp, Spring Hose	1		
5	3918614		Hose, Plain	1		
	3971371		Tube, Breather	1		
6	3958414	○形密封圈	O ring	2		
7	3968786		Tube, Breather	1		
8	3052587	○形密封圈	O ring	1		
9	4898372	○形密封圈	O ring	1		
10	3977572		Screw, Round Head Cap	2		

空压机冷却管路
Air Compressor Coolant Tub



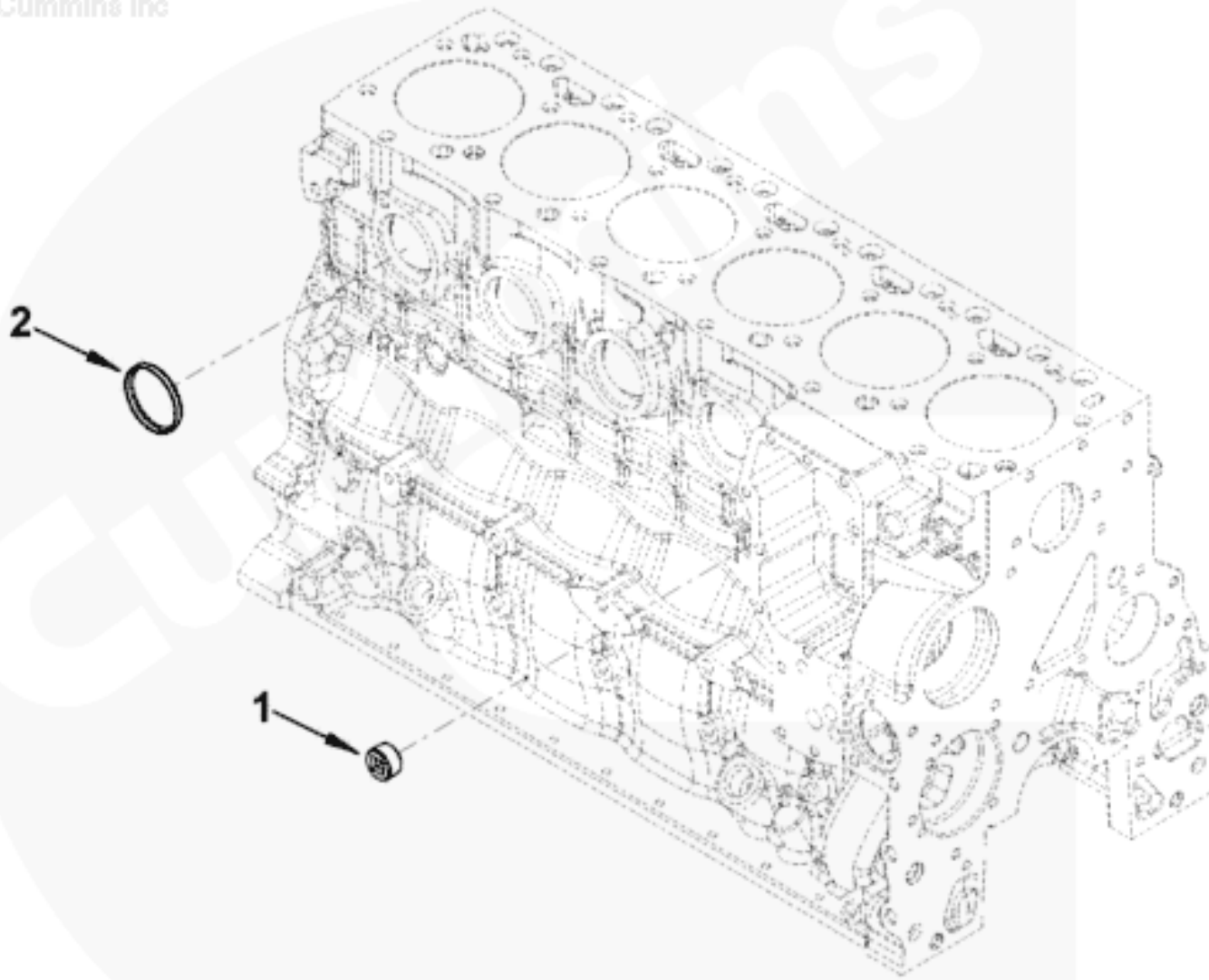
空压机冷却管路

Air Compressor Coolant Tub

序号 Item No.	零件代码 Part No.	中文名称 Chinese Name	英文名称 English Name	数量 Quantity	适用车型 Bus Model	备注 Notes
1	68152 A		Clip	1		
2	68152 B		Clip	1		
3	68368 B		Spacer, Mounting	1		
4	3679139		O ring	1		
	4940070		Connector, Male	1		
5	3284918		Connector, Male	1		
6	3287206		Tube, Cpr Water Outlet	1		
7	3287208		Tube, Cpr Water Outlet	1		
8	4980465		Tube, Cpr Water Inlet	1		
	3287273		Connector, Qck Disconnect	1		
4	3679139		O ring	1		
9	3287269		Connector, Qck Disconnect	1		
	3287274		Connector, Qck Disconnect	2		Mechelen Part
10	3287270		Connector, Qck Disconnect	1		
11	3678786		O ring	1		
12	3913372		Screw, Hex Flange Head Cap	1		M12 X 1.75 X 20
13	3903990		Screw, Hex Flange Head Cap	1		M10 X 1.50 X 20
14	3008469	管塞	Pipe plug	1		3/4 NPT

Coolant Heater Starting Ai

©Cummins Inc



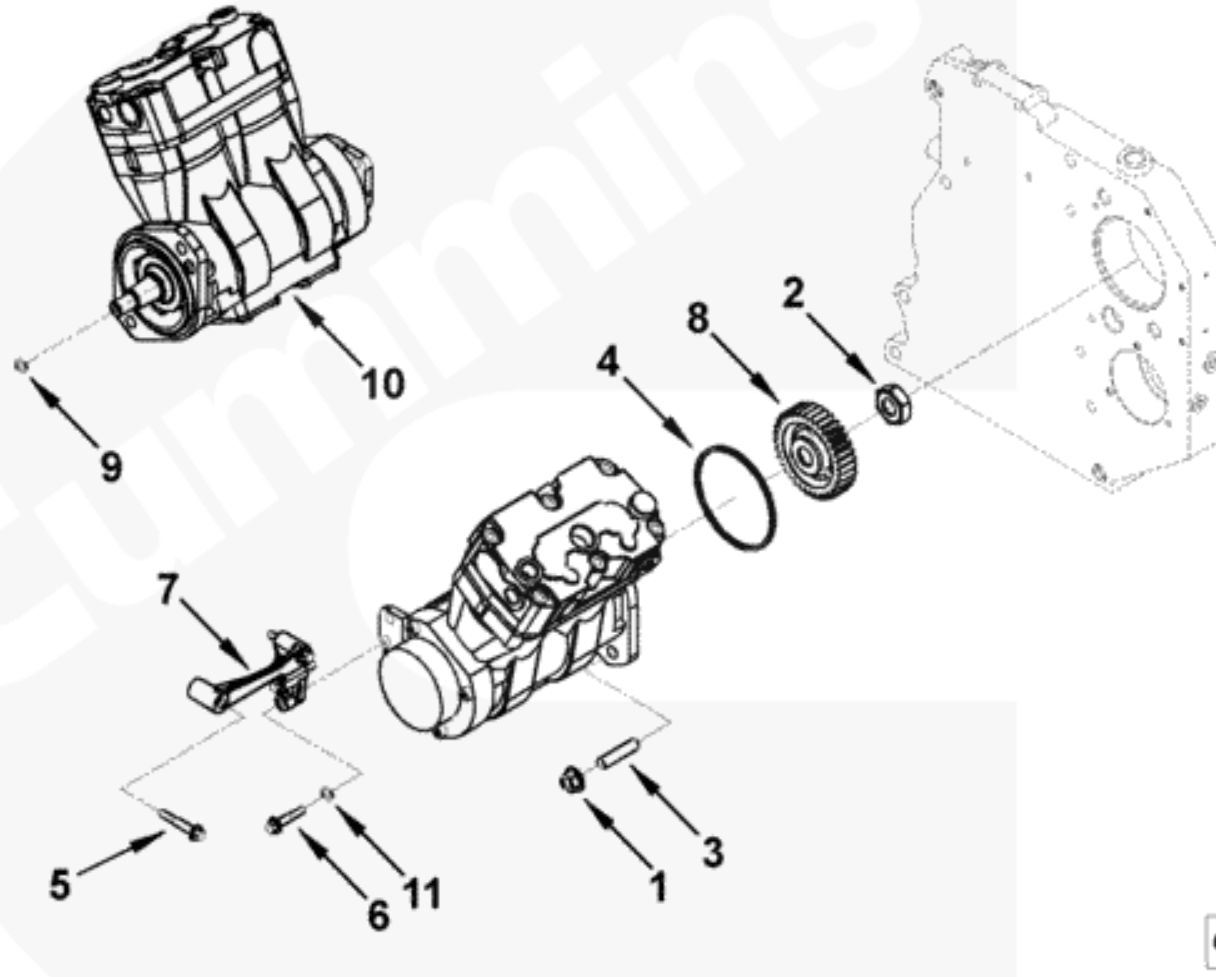
ch900zm

Coolant Heater Starting Ai

序号 Item No.	零件代码 Part No.	中文名称 Chinese Name	英文名称 English Name	数量 Quantity	适用车型 Bus Model	备注 Notes
1	3008469	管塞	Pipe plug	1		3/4 NPT
2	4938189	膨胀塞	Expansion plug	1		

空气压缩机
Air compressor

©Cummins Inc



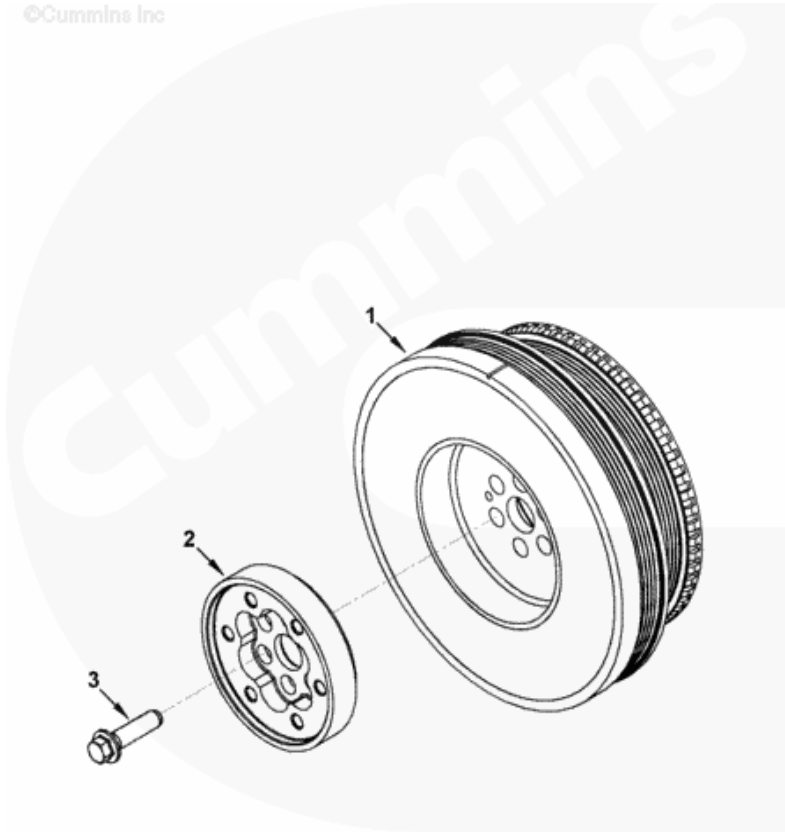
cp960gv

空气压缩机
Air compressor

序号 Item No.	零件代码 Part No.	中文名称 Chinese Name	英文名称 English Name	数量 Quantity	适用车型 Bus Model	备注 Notes
1	3279043		Nut, Hexagon Flange	2		M12 X 1.75
2	3287893	正六角螺母	nut	1		
3	3905371		Stud	2		
4	3906252	矩形密封圈	rectangle seal ring	1		
5	3925402		Screw, Hex Flange Head Cap	3		M8 X 1.25 X 50
6	3928873		Screw, Hex Flange Head Cap	1		M8 X 1.25 X 40
8	3971520		Gear, Accessory Drive	1		
7	3977148		Brace, Air Compressor	1		
9	4895710	O形密封圈	O ring	1		
10	5257939		Compressor, Air	1		
11	3278499	平垫圈	Flat washer	1		

減振器
Damper

©Cummins Inc



da952gp

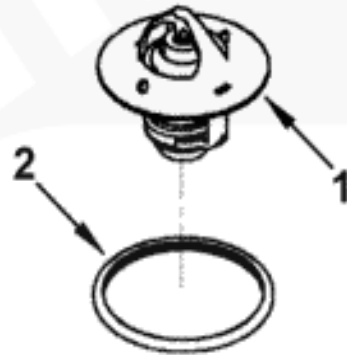
减振器

Damper

序号 Item No.	零件代码 Part No.	中文名称 Chinese Name	英文名称 English Name	数量 Quantity	适用车型 Bus Model	备注 Notes
1	5256139		Damper, Viscous Vibration	1		
2	3978478		Flange, Crankshaft	1		
3	4896768		Screw, Hex Flange Head Cap	6		

节温器
THERMOSTAT

©Cummins Inc



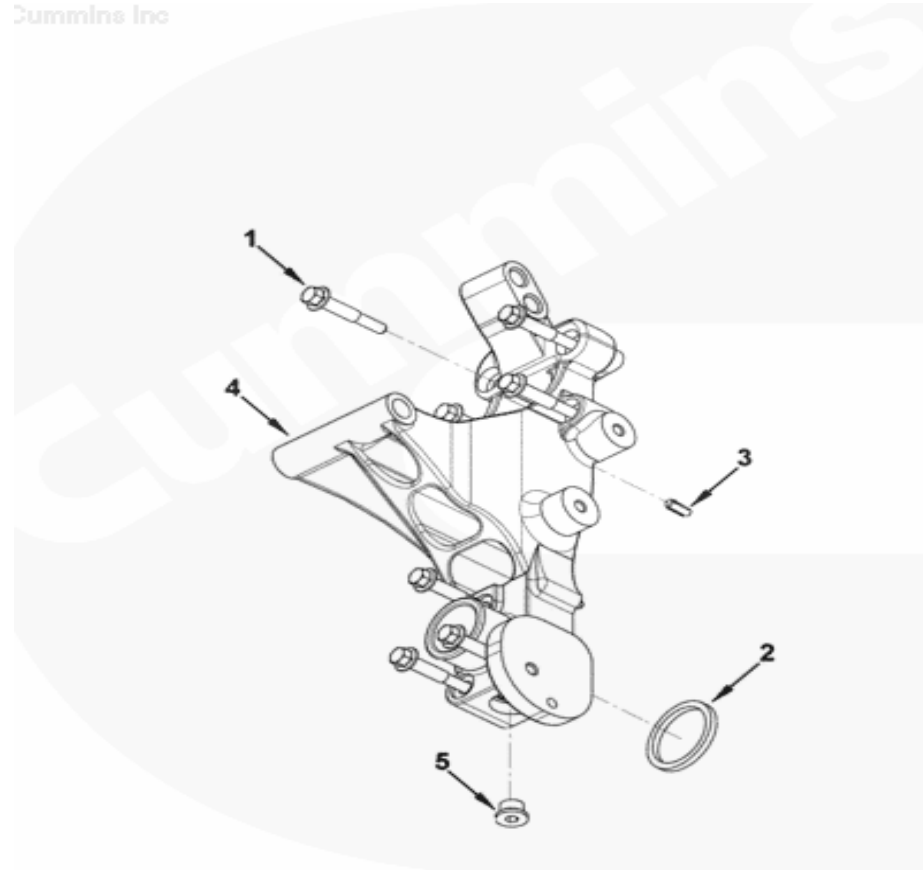
ec900zf

节温器
THERMOSTAT

序号 Item No.	零件代码 Part No.	中文名称 Chinese Name	英文名称 English Name	数量 Quantity	适用车型 Bus Model	备注 Notes
1	4929642	节温器		1		
1	4929641	节温器	THERMOSTAT	1		
2	3954829		Seal, Thermostat	1		

充电机安装
Alternator mounting

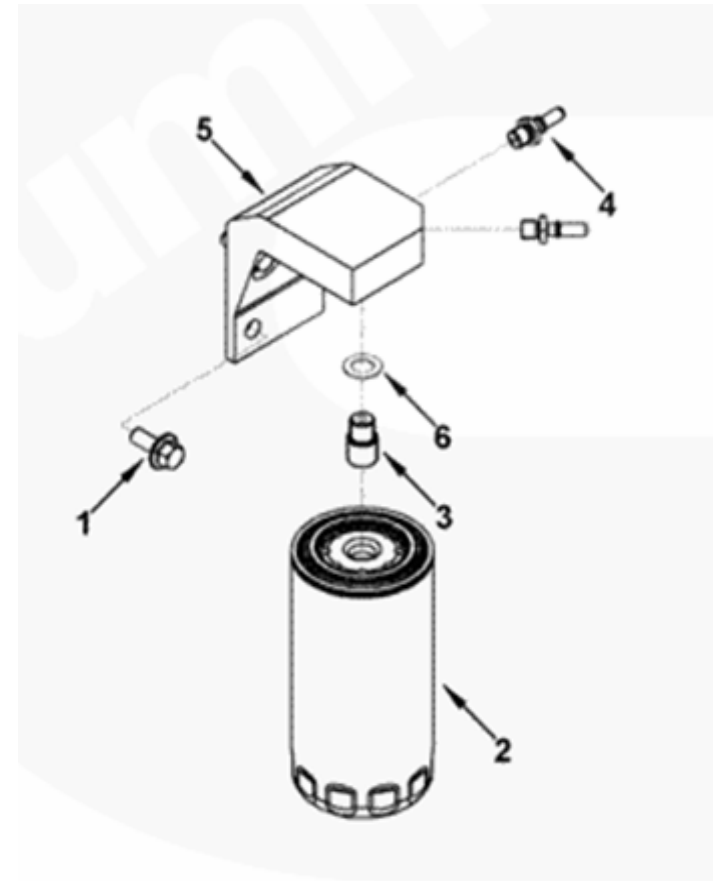
Cummins Inc



充电机安装
Alternator mounting

序号 Item No.	零件代码 Part No.	中文名称 Chinese Name	英文名称 English Name	数量 Quantity	适用车型 Bus Model	备注 Notes
1	3900635		Screw, Hex Flange Head Cap	7		M10 X 1.50 X 60
2	3906697	矩形密封圈	Rectangle seal ring	1		
	3972749		Bracket, Alternator	1		
3	7067		Dowel, Pin	2		
4	3970100		Bracket, Alternator	1		
5	3977854	螺塞	Screw plug	1		

燃油滤清器
Fuel Filter Location

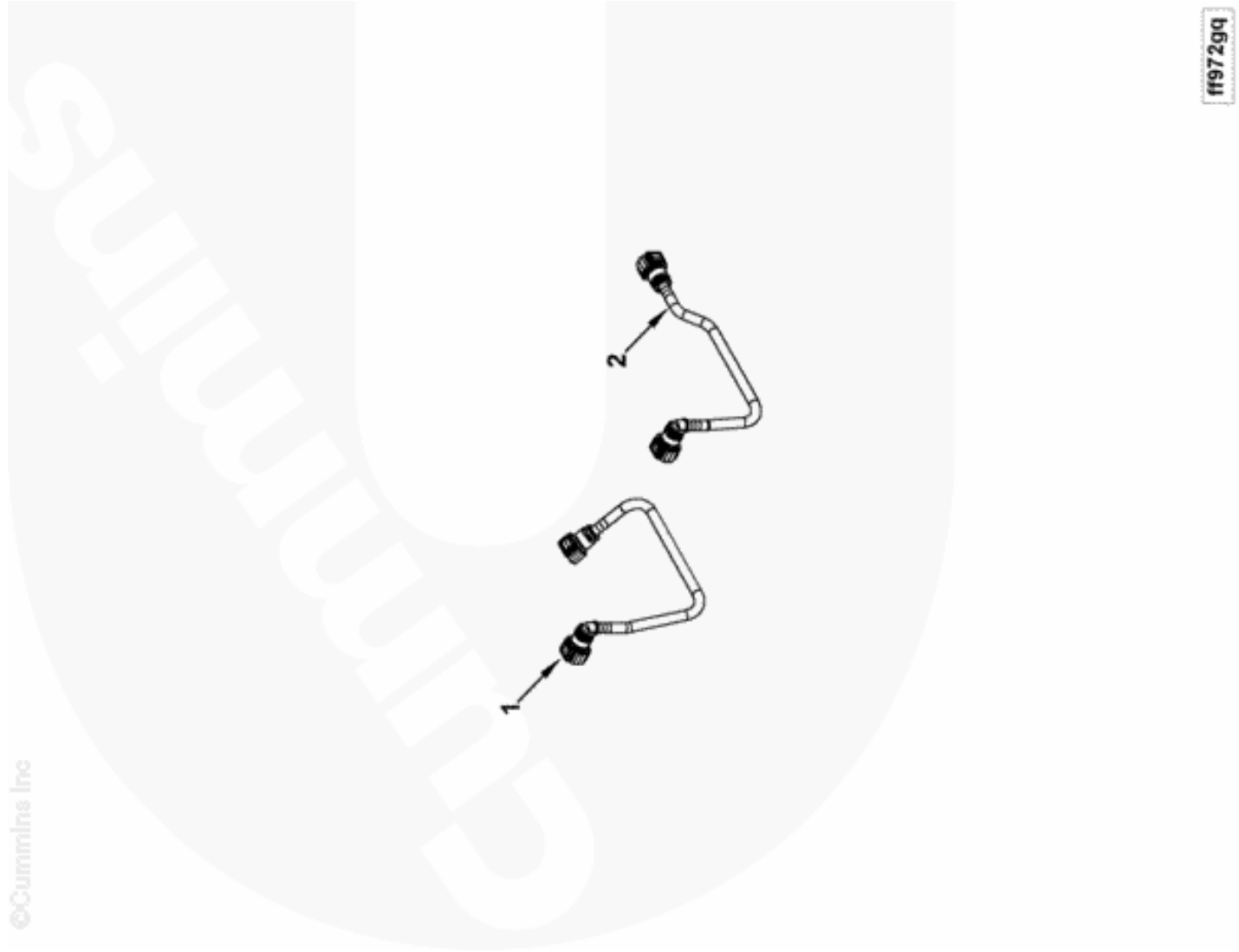


燃油滤清器

Fuel Filter Location

序号 Item No.	零件代码 Part No.	中文名称 Chinese Name	英文名称 English Name	数量 Quantity	适用车型 Bus Model	备注 Notes
1	3901249		Screw, Hex Flange Head Cap	2		M12 X 1.75 X 25
2	3978040		Filter, Fuel	1		
	4983830		Head, Fuel Filter	1		
3	4898877	滤清器座连接件	Connecting part, filter seat	1		Buy From Cummins Filtration
4	4992854		Connector, Qck Disconnect	2		
5	4943866		Head, Fuel Filter	1		
6	4937285		Gasket, Filter	1		

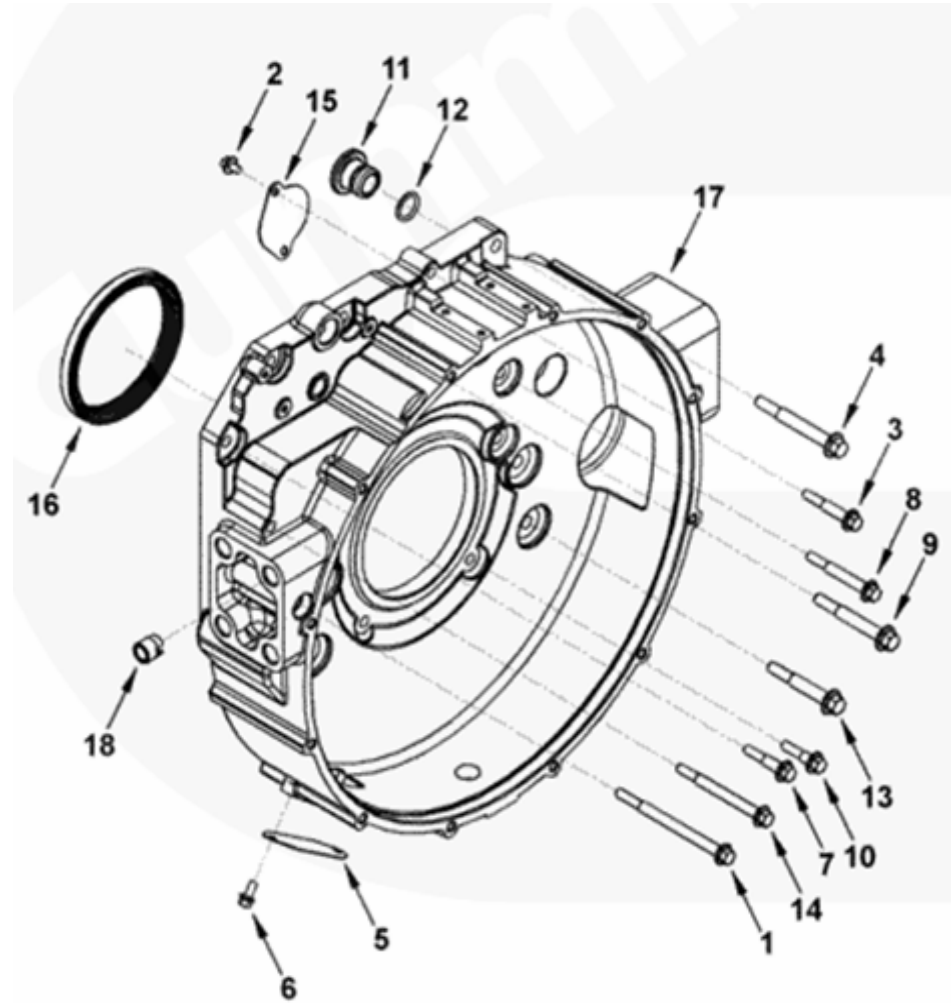
燃油滤清器管路
Fuel filter pipeline



燃油滤清器管路
Fuel filter pipeline

序号 Item No.	零件代码 Part No.	中文名称 Chinese Name	英文名称 English Name	数量 Quantity	适用车型 Bus Model	备注 Notes
1	4983831		Tube, Fuel Supply	1		
2	4983832		Tube, Fuel Supply	1		

飞轮壳
Flywheel housing

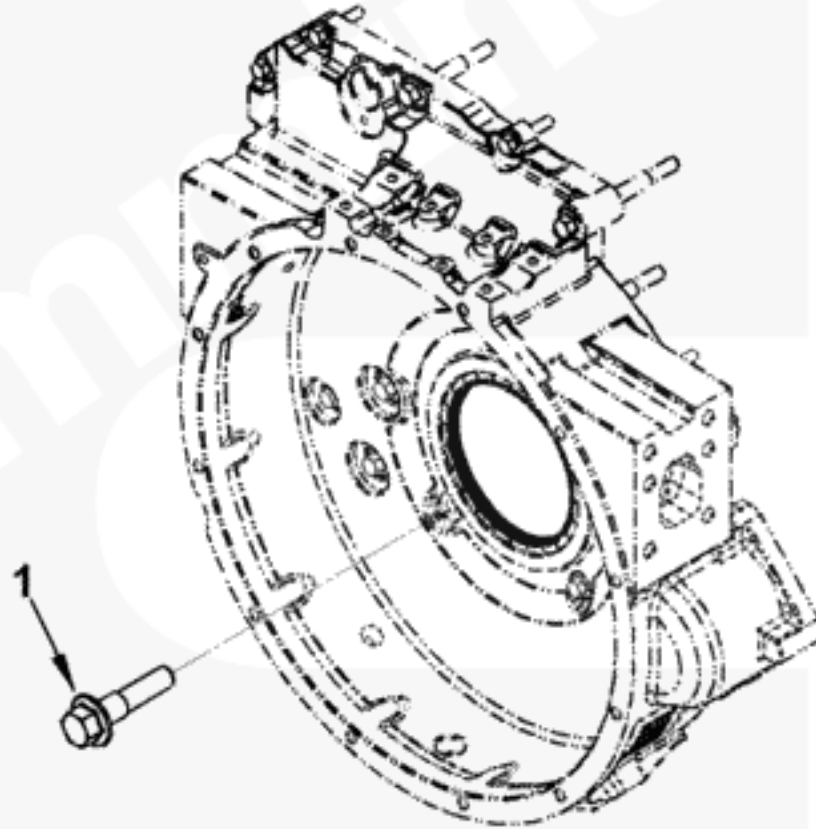


飞轮壳
Flywheel housing

序号 Item No.	零件代码 Part No.	中文名称 Chinese Name	英文名称 English Name	数量 Quantity	适用车型 Bus Model	备注 Notes
1	3089316		Screw, Hex Flange Head Cap	1		
2	3093956		Screw, Hex Flange Head Cap	2		M8 X 1.25 X 12
3	3900635		Screw, Hex Flange Head Cap	1		M10 X 1.50 X 60
4	3332242		Screw, Hex Flange Head Cap	1		
5	4893494		Gasket, Cover Plate	1		Mechelen Part
6	3900629		Screw, Hex Flange Head Cap	4		M8 X 1.25 X 16
7	3900634		Screw, Hex Flange Head Cap	2		M10 X 1.50 X 50
8	3900679		Screw, Hex Flange Head Cap	2		M10 X 1.50 X 80
9	3902451		Screw, Hex Flange Head Cap	1		M12 X 1.75 X 90
10	3903464		Screw, Hex Flange Head Cap	4		M10 X 1.50 X 40
11	3910248		Plug, O Ring	1		
12	3910260	O 形密封圈	O ring	1		
13	3914177		Screw, Hex Flange Head Cap	6		M12 X 1.75 X 80
14	3922863		Screw, Hex Flange Head Cap	1		M10 X 1.50 X 110
15	3908095	盖板	Cover board	1		
16	3973745		Seal, Oil	1		Serviced as 4955566
	2831370		Housing, Flywheel	1		
17	2831367		Housing, Flywheel	1		
18	4899132		Insert, Threaded	8		
	4955566		Kit, Crankshaft Seal	A/R		
16	3973745		Seal, Oil	1		Serviced as 4955566
	4089425		Tool, Seal Installation	1		
	4940231		Tool, Seal Installation	1		

飞轮壳安装
Flywheel Housing Mounting

Cummins Inc



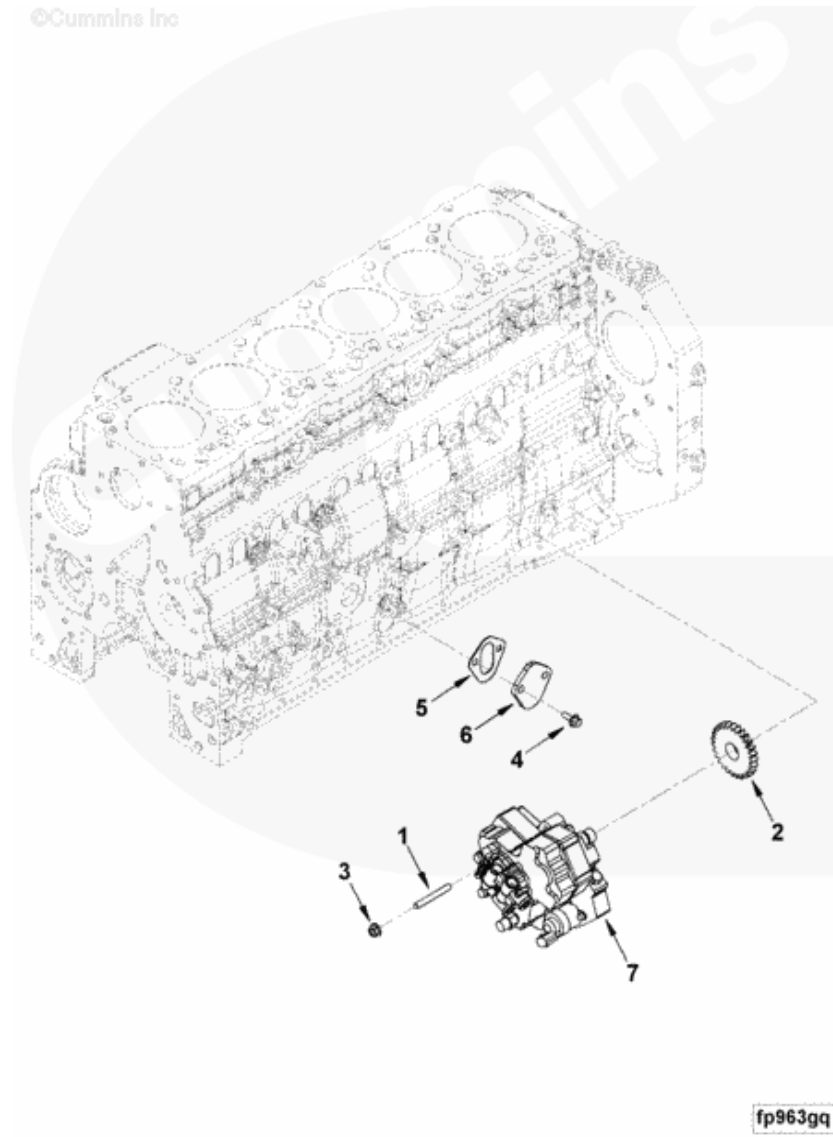
fh960gb

飞轮壳安装
Flywheel Housing Mounting

序号 Item No.	零件代码 Part No.	中文名称 Chinese Name	英文名称 English Name	数量 Quantity	适用车型 Bus Model	备注 Notes
1	3903464		Screw, Hex Flange Head Cap	1		M10 X 1.50 X 40

燃油泵
Fuel pump

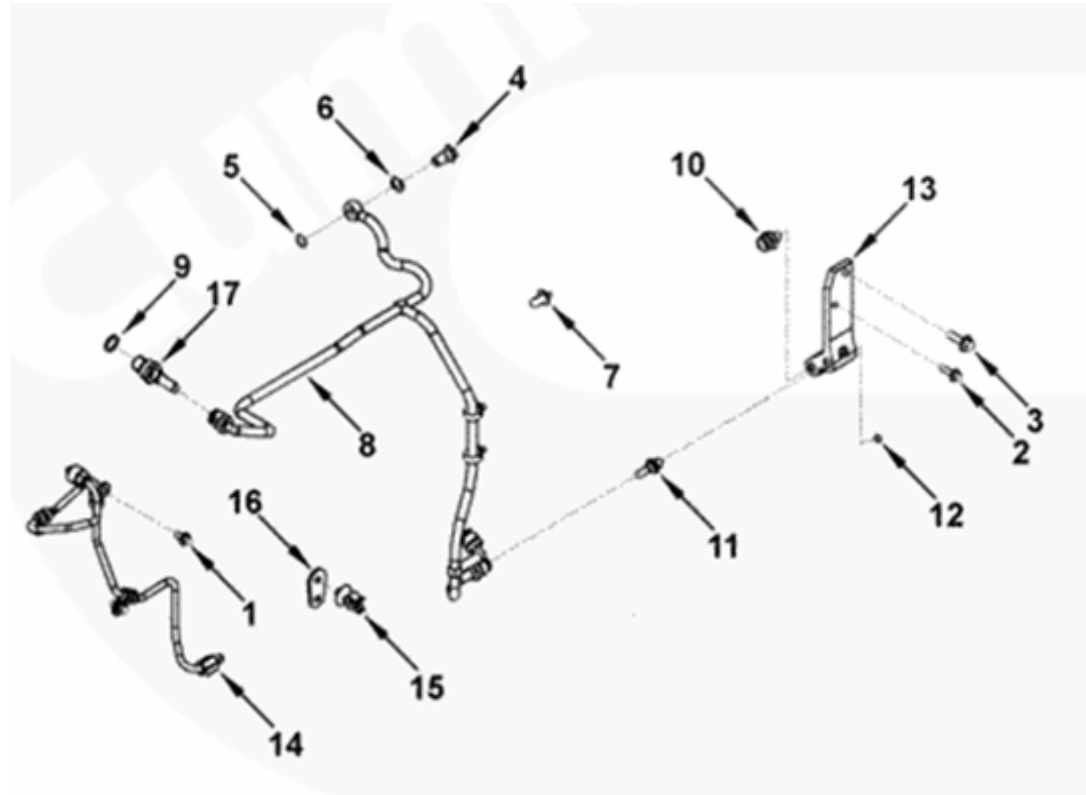
©Cummins Inc



燃油泵
Fuel pump

序号 Item No.	零件代码 Part No.	中文名称 Chinese Name	英文名称 English Name	数量 Quantity	适用车型 Bus Model	备注 Notes
1	3949419		Stud	3		
2	3955153		Gear, Fuel Pump	1		
3	3900589		Nut, Hexagon Flange	3		M8 X 1.25
4	3900630		Screw, Hex Flange Head Cap	2		M8 X 1.25 X 20
5	3939258		Gasket, Cover Plate	1		
6	3948083	盖板	Cover board	1		
7	5258264		Pump, Fuel Injection	1		Recon Equivalent 5258264 NX

燃油管路
Fuel pipeline

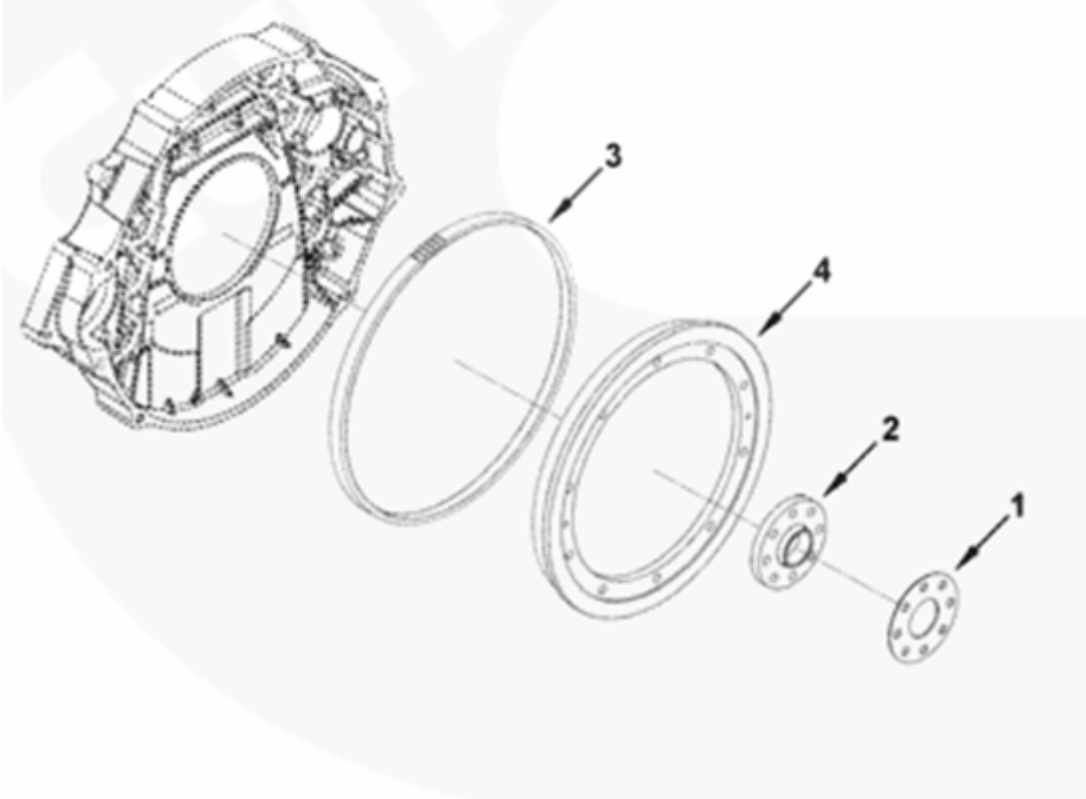


燃油管路
Fuel pipeline

序号 Item No.	零件代码 Part No.	中文名称 Chinese Name	英文名称 English Name	数量 Quantity	适用车型 Bus Model	备注 Notes
1	3900629		Screw, Hex Flange Head Cap	4		M8 X 1.25 X 16
2	3900631		Screw, Hex Flange Head Cap	1		M8 X 1.25 X 25
3	3903112		Screw, Hex Flange Head Cap	1		M10 X 1.50 X 30
4	3957290		Valve, Check	1		
5	3963983		Washer, Sealing	1		
6	3863988		Washer, Sealing	1		
7	4899743		Clip	4		
8	4994939		Tube, Fuel Drain	1		
9	4891385		Washer, Sealing	1		
	4989773		Adapter, Fuel Connector	1		
10	4896543		Connector, Qck Disconnect	1		
11	4992853		Connector, Qck Disconnect	1		
	4944763		Adapter, Fuel Connector	1		
12	4944761		Plug, Expander	1		
13	4944762		Adapter, Fuel Connector	1		
14	4980292		Tube, Fuel Supply	1		
	4943731		Brace, Tube	1		
15	4934994		Clip	1		
16	4943730		Brace, Tube	1		
17	3964337		Connector, Qck Disconnect	1		

飞轮

Flywheel

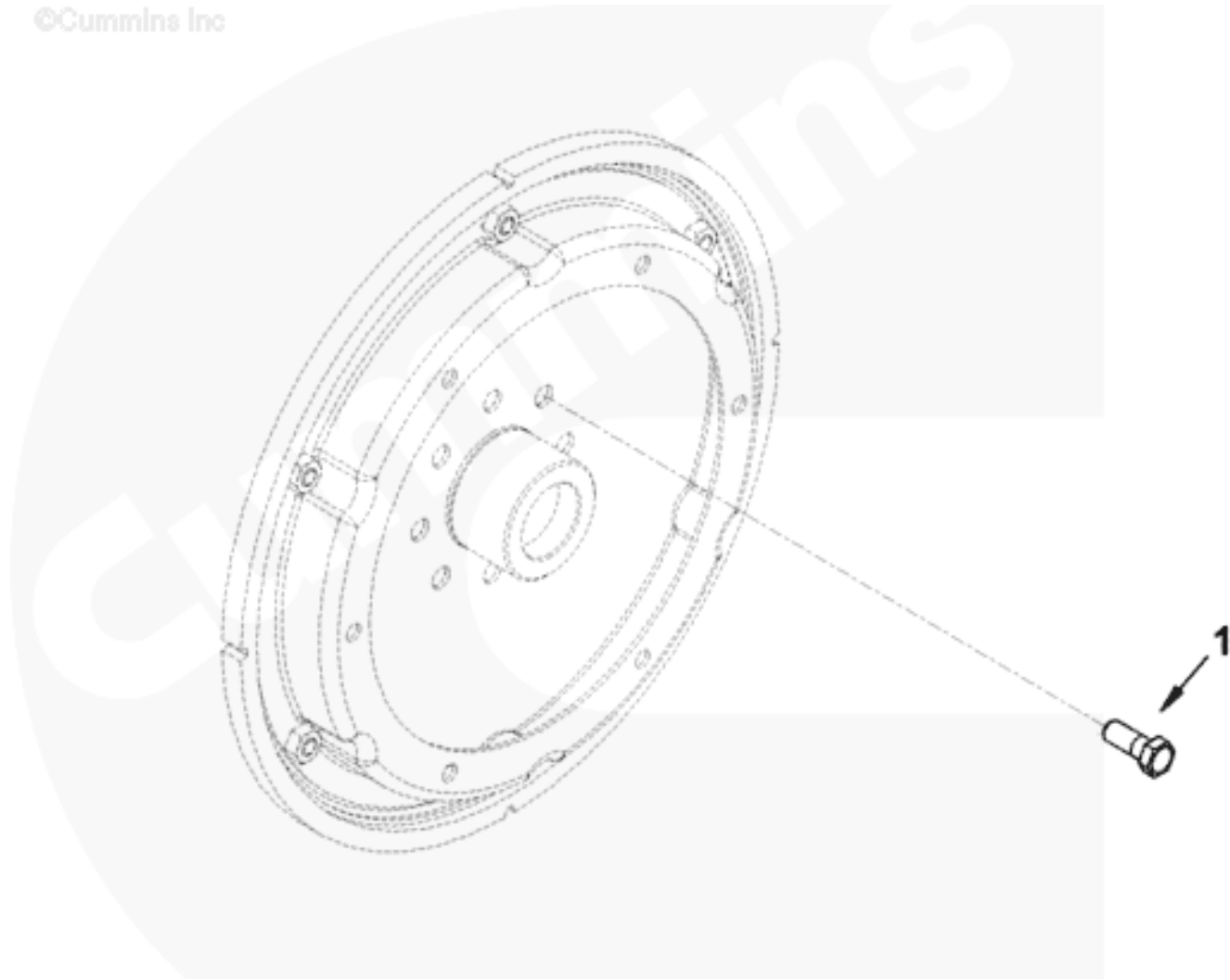


飞轮
Flywheel

序号 Item No.	零件代码 Part No.	中文名称 Chinese Name	英文名称 English Name	数量 Quantity	适用车型 Bus Model	备注 Notes
1	3281507		Ring, Clamping	1		
2	4899427		Adapter, Crankshaft	1		
	4899426		Adapter, Fly Ring Gear	1		
3	4895161		Gear, Flywheel Ring	1		
4	4899425		Adapter, Fly Ring Gear	1		

飞轮安装
Flywheel Mounting

©Cummins Inc



fw951zu

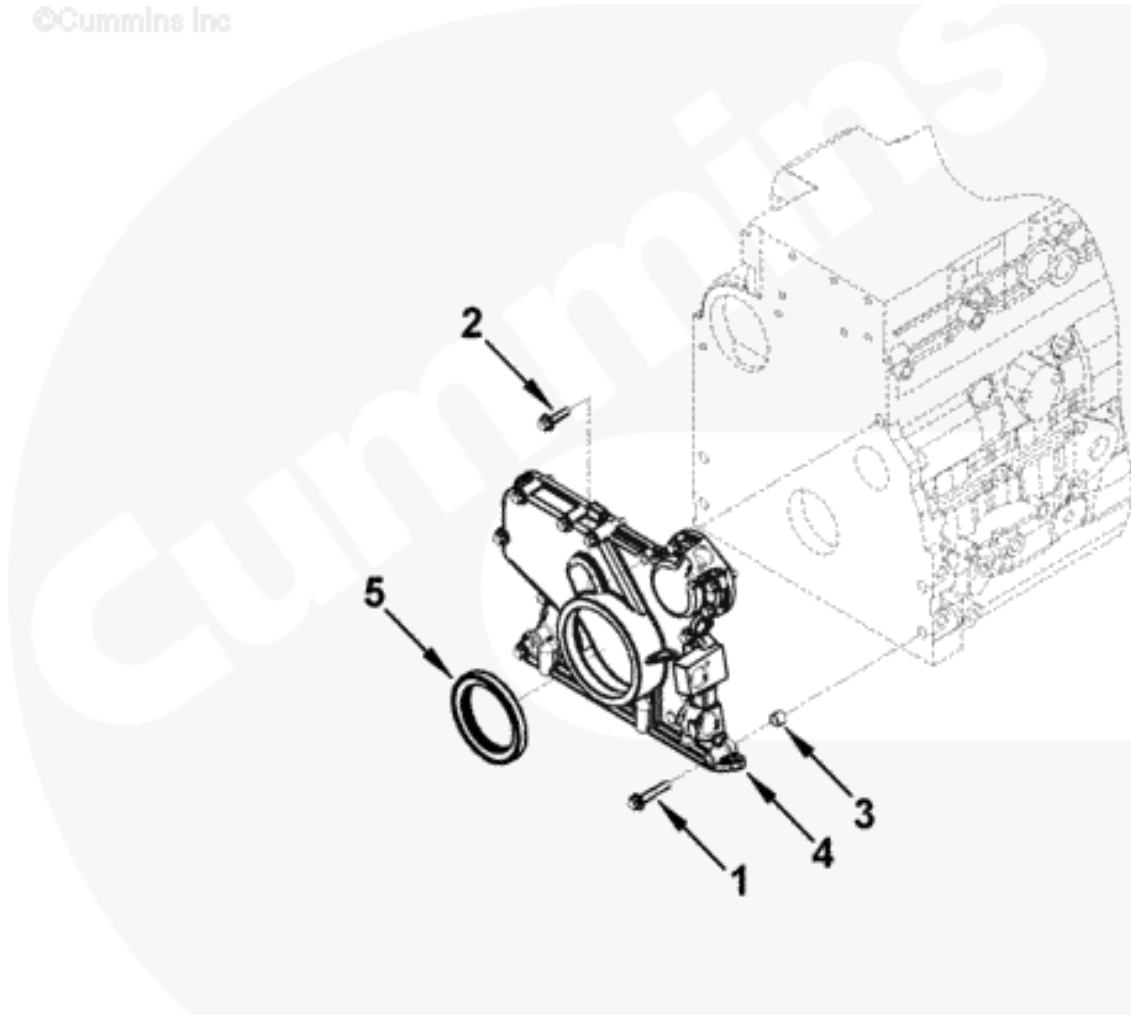
飞轮安装

Flywheel Mounting

序号 Item No.	零件代码 Part No.	中文名称 Chinese Name	英文名称 English Name	数量 Quantity	适用车型 Bus Model	备注 Notes
1	4894641		Screw, Captive Washer Cap	8		

前齿轮室盖
Front gear housing cover

©Cummins Inc



gg940gy

前齿轮室盖

Front gear housing cover

序号 Item No.	零件代码 Part No.	中文名称 Chinese Name	英文名称 English Name	数量 Quantity	适用车型 Bus Model	备注 Notes
1	3901445		Screw, Hex Flange Head Cap	7		M8 X 1.25 X 45
2	3902114		Screw, Hex Flange Head Cap	6		M8 X 1.25 X 30
3	3949326		Dowel, Ring	2		
4	5258751		Cover, Front	1		
5	4890832		Seal, Oil	1		

PLUMBING, CABIN HEATER

©Cummins Inc



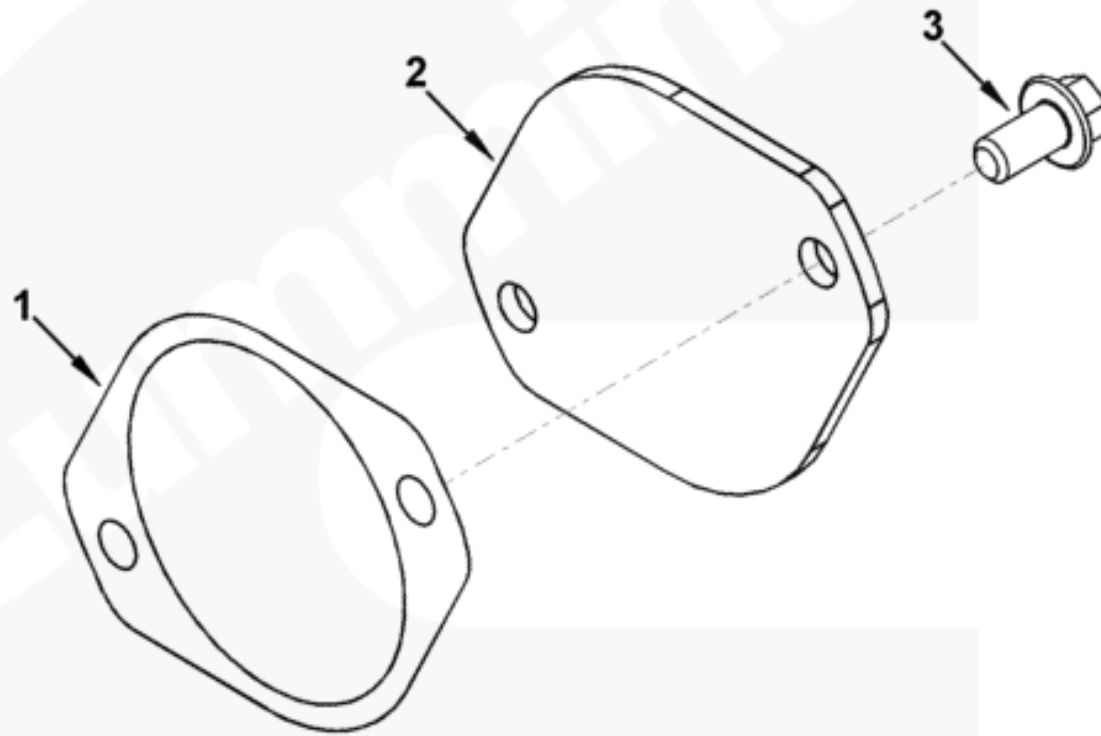
hc900zc

PLUMBING,CABIN HEATER

序号 Item No.	零件代码 Part No.	中文名称 Chinese Name	英文名称 English Name	数量 Quantity	适用车型 Bus Model	备注 Notes
1	3008468	管塞	Pipe plug	4		1/2 NPT
2	3008469	管塞	Pipe plug	1		3/4 NPT

Auxiliary Pump Mounting

©Cummins Inc



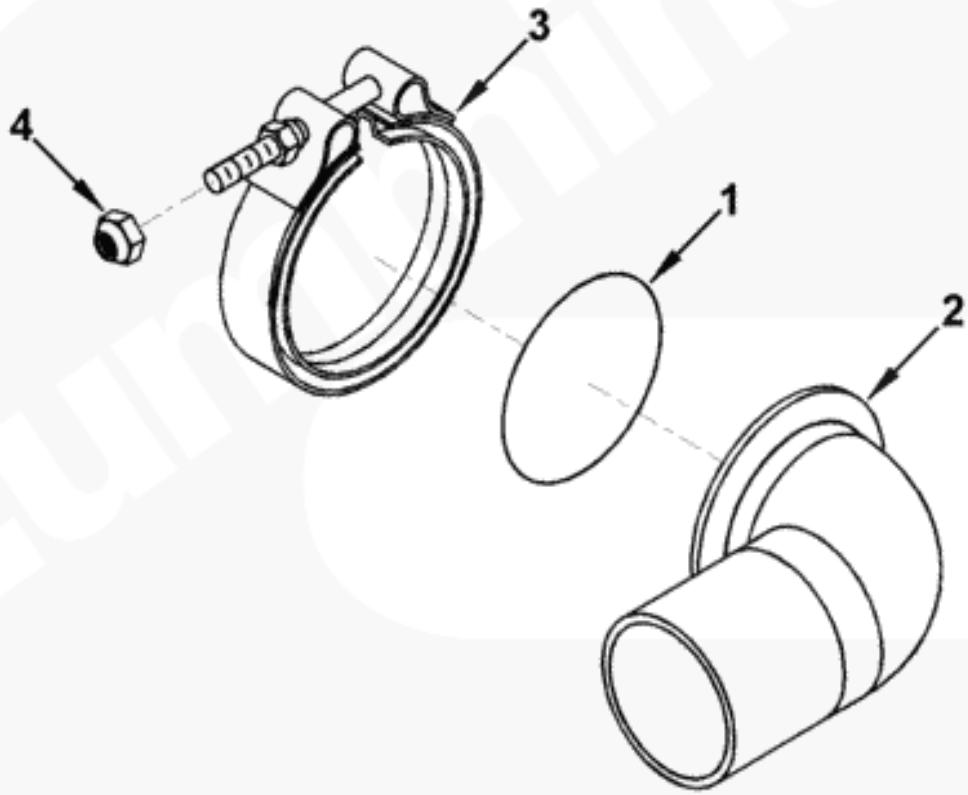
hd951gt

Auxiliary Pump Mounting

序号 Item No.	零件代码 Part No.	中文名称 Chinese Name	英文名称 English Name	数量 Quantity	适用车型 Bus Model	备注 Notes
1	4988280		Gasket, Hydraulic Pump	1		
2	204048	盖板	Cover board	1		
3	3903990		Screw, Hex Flange Head Cap	2		M10 X 1.50 X 20

进气管接头
Air intake pipe connector

©Cummins Inc



ic961gj

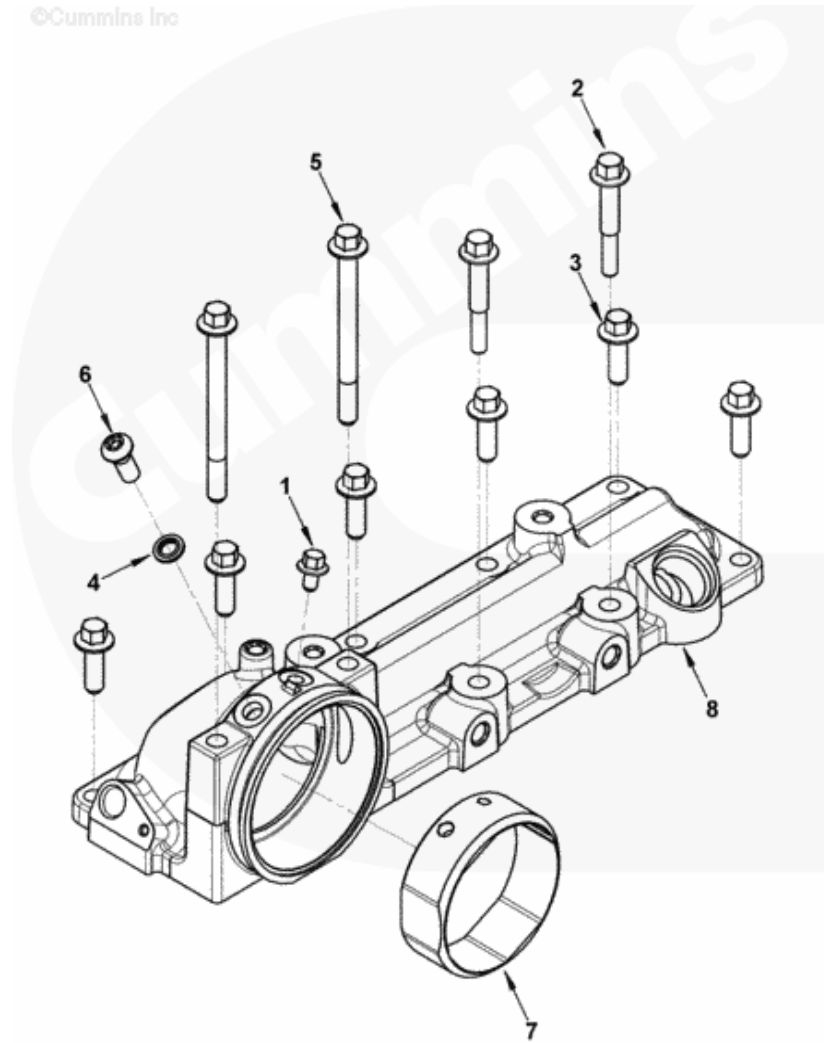
进气管接头

Air intake pipe connector

序号 Item No.	零件代码 Part No.	中文名称 Chinese Name	英文名称 English Name	数量 Quantity	适用车型 Bus Model	备注 Notes
1	3867646	O形密封圈	O ring	1		
2	4933777		Pipe, Air Transfer	1		
3	4938989	V型带箍	V clip	1		
4	3923041	锁紧螺母	Lock nut	1		

进气歧管
Air Intake Manifold

©Cummins Inc



im903gr

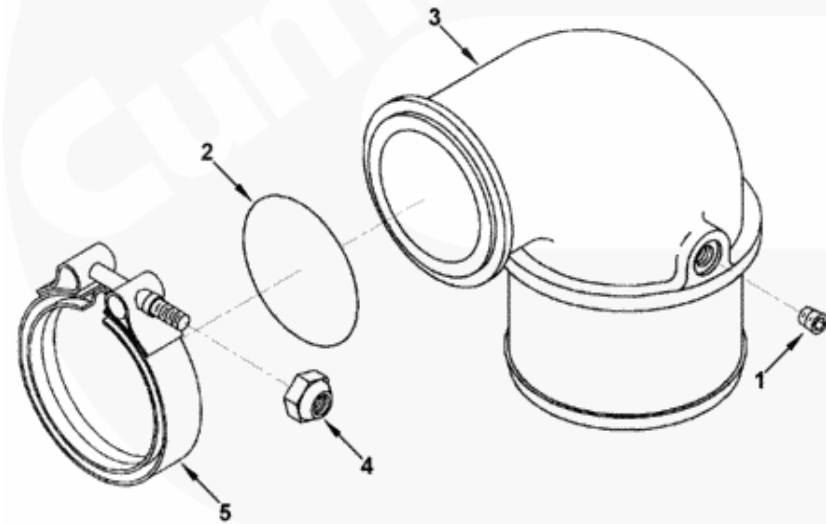
进气歧管

Air Intake Manifold

序号 Item No.	零件代码 Part No.	中文名称 Chinese Name	英文名称 English Name	数量 Quantity	适用车型 Bus Model	备注 Notes
1	3900625		Screw, Hex Flange Head Cap	1		M6 X 1.00 X 10
2	3900633		Screw, Hex Flange Head Cap	1		M8 X 1.25 X 50
3	3918109		Screw, Hex Flange Head Cap	7		M8 X 1.25 X 25
4	3918188		Washer, Sealing	1		
5	3919995		Screw, Hex Flange Head Cap	2		M8 X 1.25 X 90
6	3942247		Screw, Round Head Cap	1		
7	4942495		Housing, Starting Aid	1		
8	4981331		Manifold, Air Intake	1		

输气管接头
Air pipe connector

©Cummins Inc



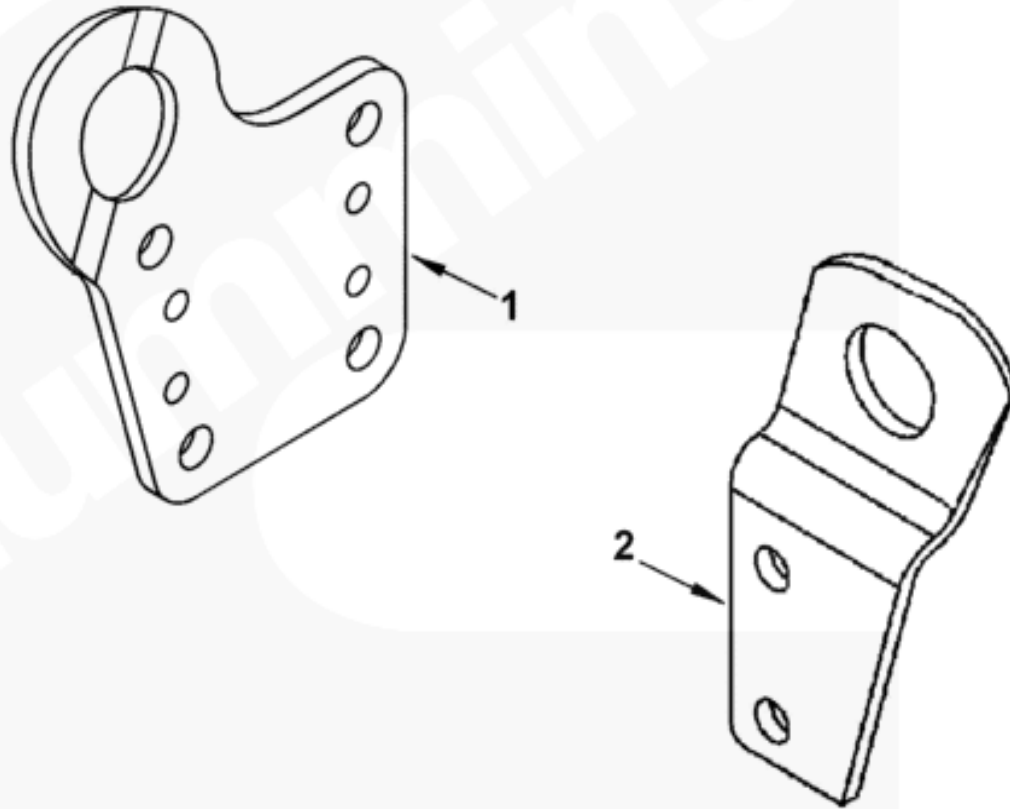
it950ga

输气管接头
Air pipe connector

序号 Item No.	零件代码 Part No.	中文名称 Chinese Name	英文名称 English Name	数量 Quantity	适用车型 Bus Model	备注 Notes
1	3008465	管塞	Pipe plug	1		1/8 NPT
2	3883284	O形密封圈	O ring	1		
3	3918685		Pipe, Air Transfer	1		
4	3923041	锁紧螺母	Lock nut	1		1/4-28 Thread
5	3069053	V型带箍	V clip	1		

吊耳支架
Lifting Arrangement

©Cummins Inc



la952gj

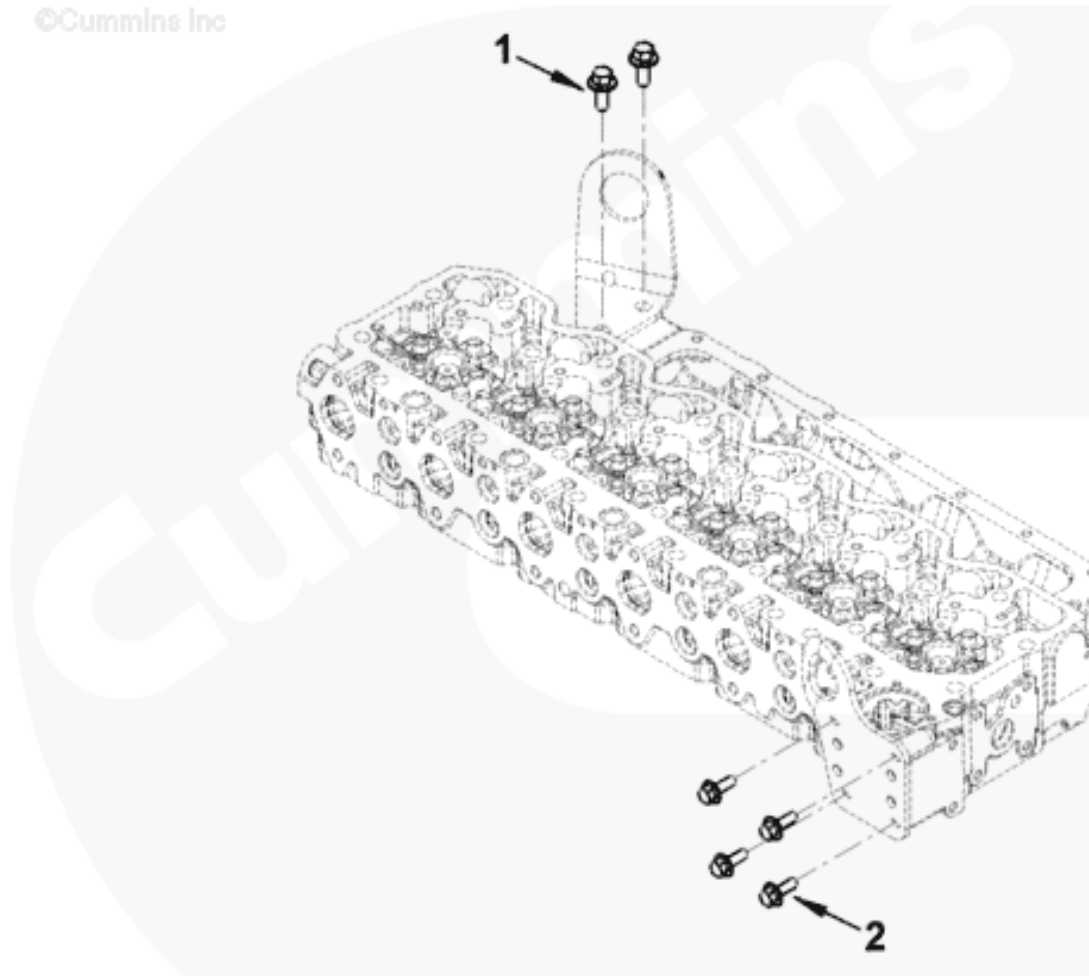
吊耳支架

Lifting Arrangement

序号 Item No.	零件代码 Part No.	中文名称 Chinese Name	英文名称 English Name	数量 Quantity	适用车型 Bus Model	备注 Notes
1	4894100		Bracket, Lifting	1		
2	4933232		Bracket, Lifting	1		

吊耳安装
Lifting Bracket Mounting

©Cummins Inc



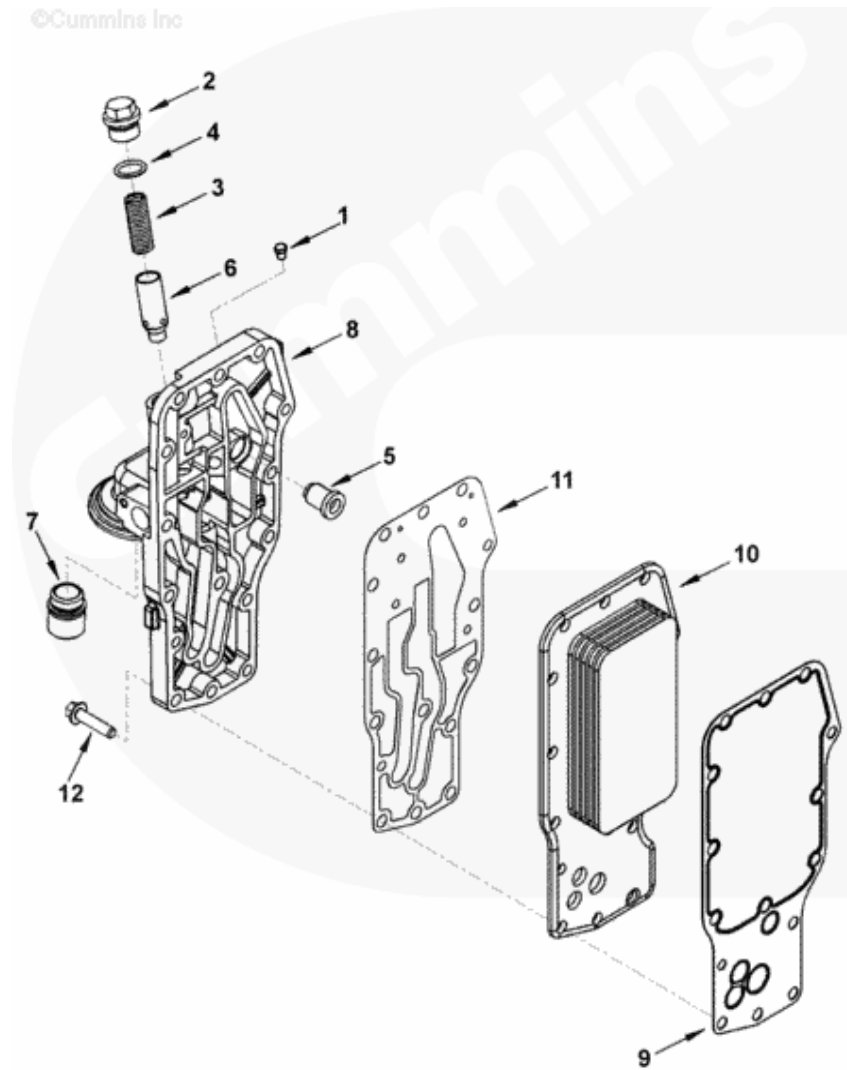
la951gf

吊耳安装
Lifting Bracket Mounting

序号 Item No.	零件代码 Part No.	中文名称 Chinese Name	英文名称 English Name	数量 Quantity	适用车型 Bus Model	备注 Notes
1	3903990		Screw, Hex Flange Head Cap	2		M10 X 1.50 X 20
2	3093775		Screw, Hex Flange Head Cap	4		

发动机机油冷却器

Oil cooler



lc954gr

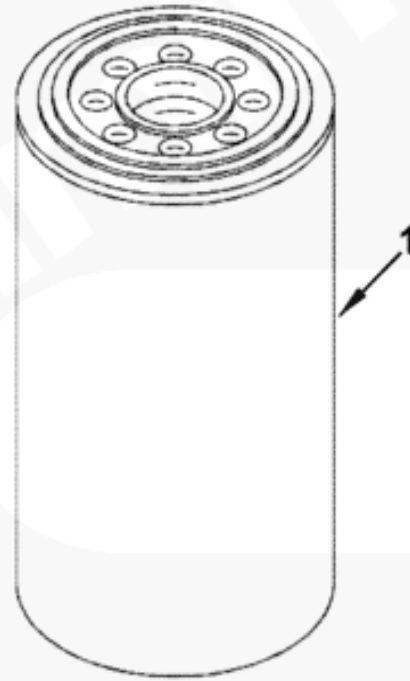
发动机机油冷却器

Oil cooler

序号 Item No.	零件代码 Part No.	中文名称 Chinese Name	英文名称 English Name	数量 Quantity	适用车型 Bus Model	备注 Notes
	4983355		Head, Lub Oil Filter	1		
1	3906619	管塞	Pipe plug	1		1/8 NPT
2	3915787	螺塞	Screw plug	1		M22 X 1.50
3	3925009		Spring, Compression	1		
4	3929457	O形密封圈	O ring	1		
5	3936365		Valve, Pressure Relief	1		
6	4896404		Plunger, Prs Regulator	1		
	4983354		Head, Lub Oil Filter	1		
7	4893391	滤清器座连接件	Connecting part, filter seat	1		
8	4980333		Head, Lub Oil Filter	1		
9	2830559		Gasket, Oil Cooler Core	1		Serviced as 3977913
10	3975818		Cooler, Oil	1		
11	2831077	滤清器座密封垫	seal gasket	1		
12	3900632		Screw, Hex Flange Head Cap	15		M8 X 1.25 X 35

全流式机油滤清器
Oil filter

©Cummins Inc



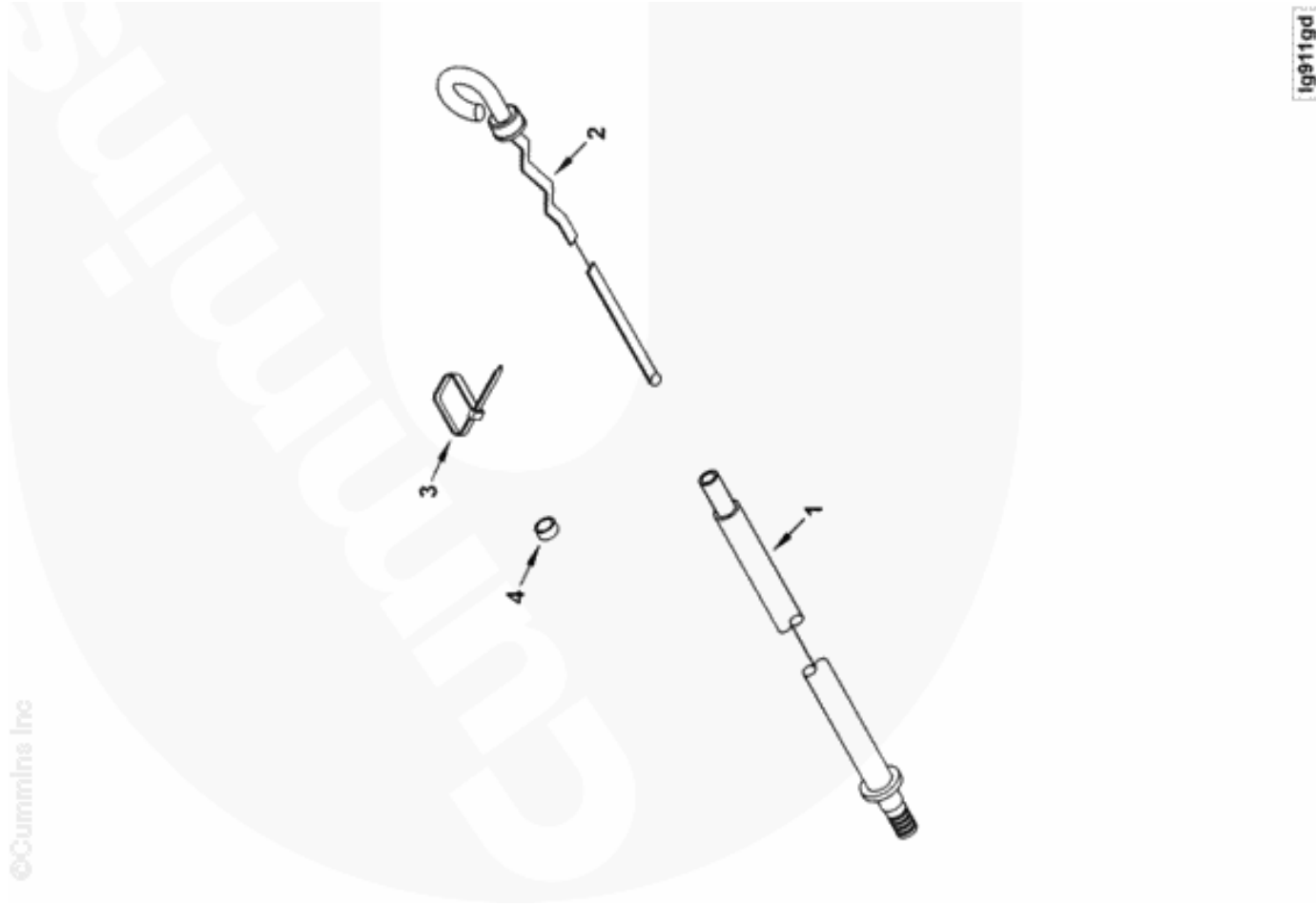
If950gg

全流式机油滤清器

Oil filter

序号 Item No.	零件代码 Part No.	中文名称 Chinese Name	英文名称 English Name	数量 Quantity	适用车型 Bus Model	备注 Notes
1	4989314		Cartridge, Lub Oil Filter	1		

机油尺
Oil Level Gauge



©Cummins Inc

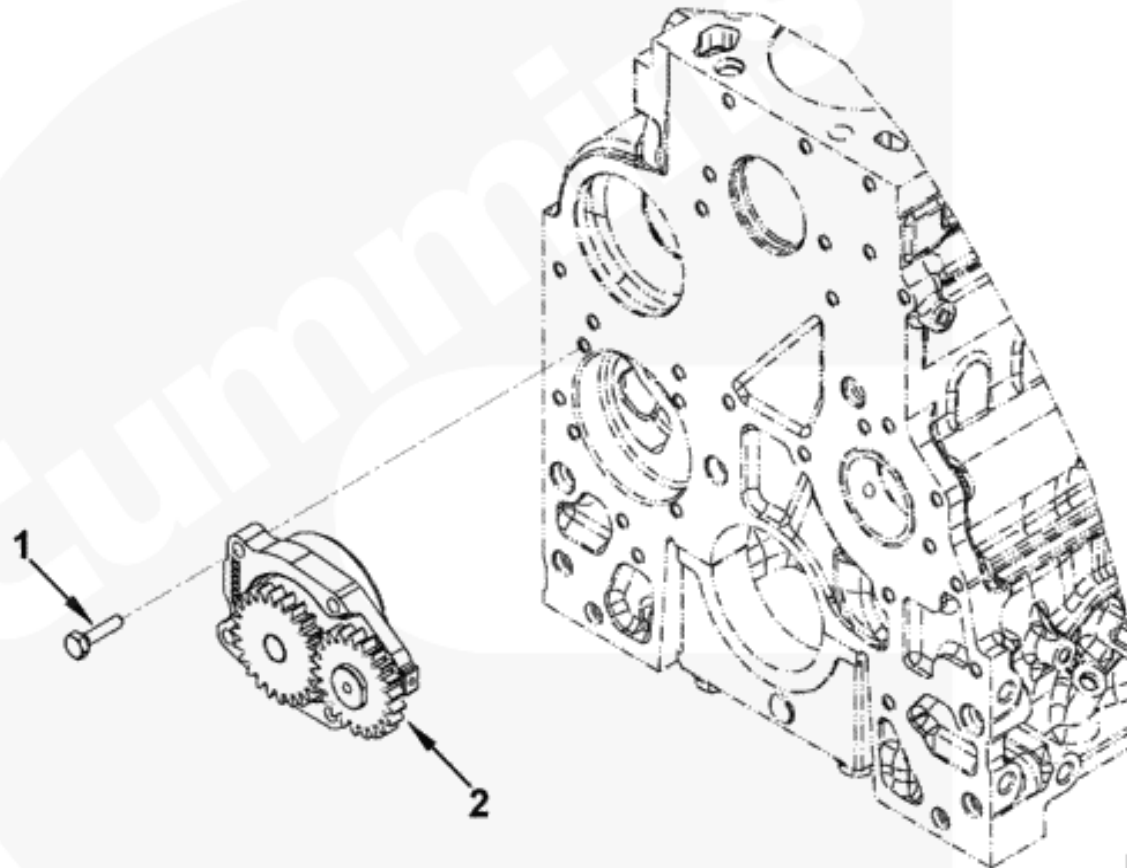
lg911gd

机油尺
Oil Level Gauge

序号 Item No.	零件代码 Part No.	中文名称 Chinese Name	英文名称 English Name	数量 Quantity	适用车型 Bus Model	备注 Notes
1	3968991		Tube, Oil Gauge	1		
2	3287099	油尺	Oil Gauge	1		
3	201351		Clamp, Wire Tie	1		
4	3900955	膨胀塞	Expansion plug	4		

机油泵
Lubricating Oil Pump

©Cummins Inc



Ip900zc

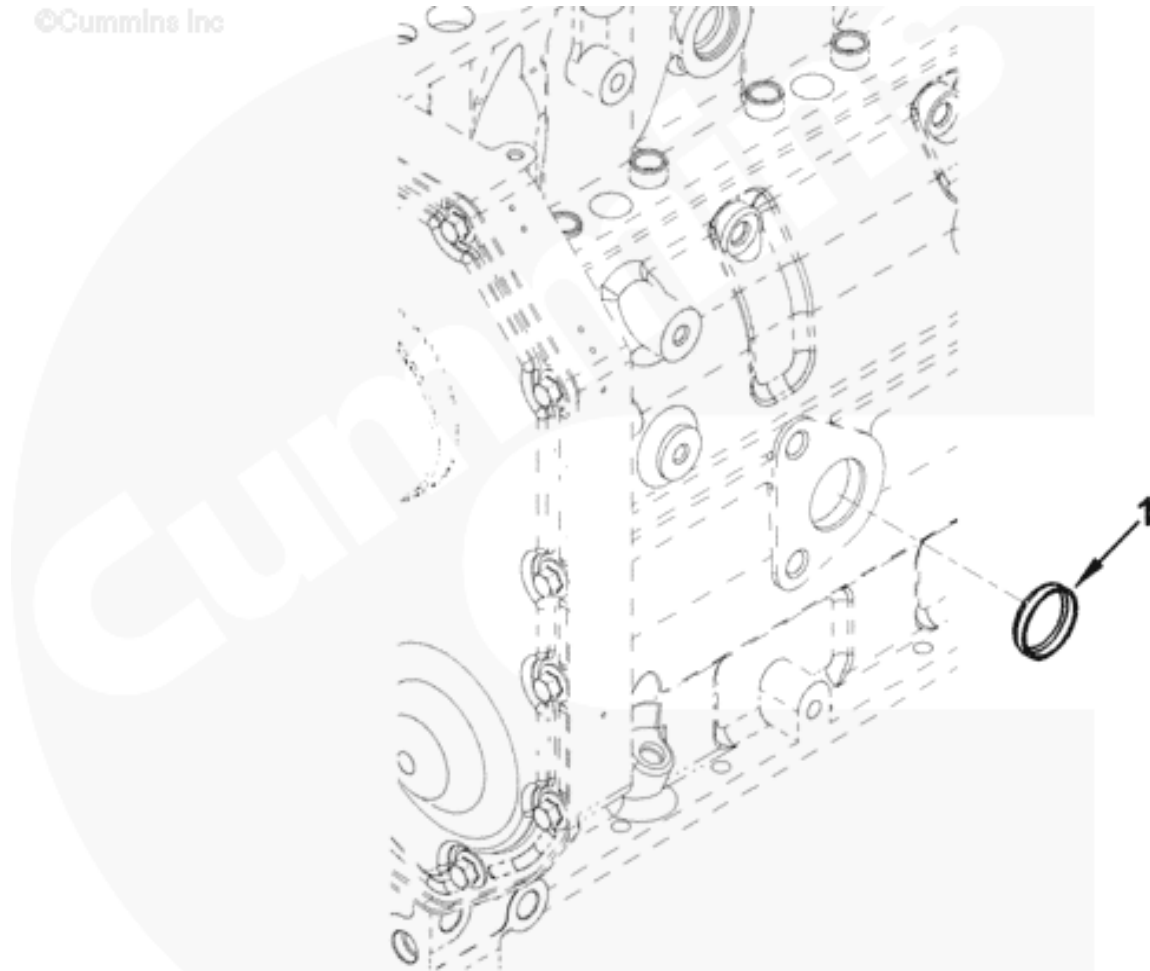
机油泵

Lubricating Oil Pump

序号 Item No.	零件代码 Part No.	中文名称 Chinese Name	英文名称 English Name	数量 Quantity	适用车型 Bus Model	备注 Notes
1	3900677	六角头螺栓	Bolt	4		M8 X 1.25 X 30
2	4939588		Pump, Lubricating Oil	1		

机油滤清器布置
Oil filter mounting

©Cummins Inc



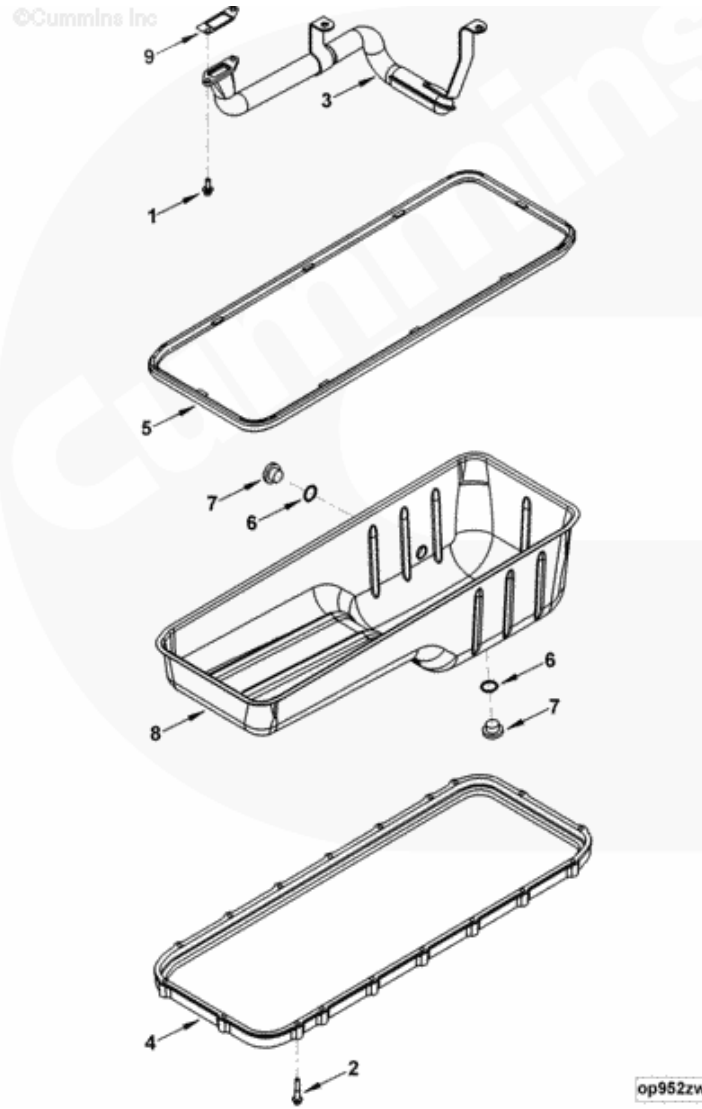
ob901zb

机油滤清器布置

Oil filter mounting

序号 Item No.	零件代码 Part No.	中文名称 Chinese Name	英文名称 English Name	数量 Quantity	适用车型 Bus Model	备注 Notes
1	3900958	膨胀塞	Expansion plug	1		

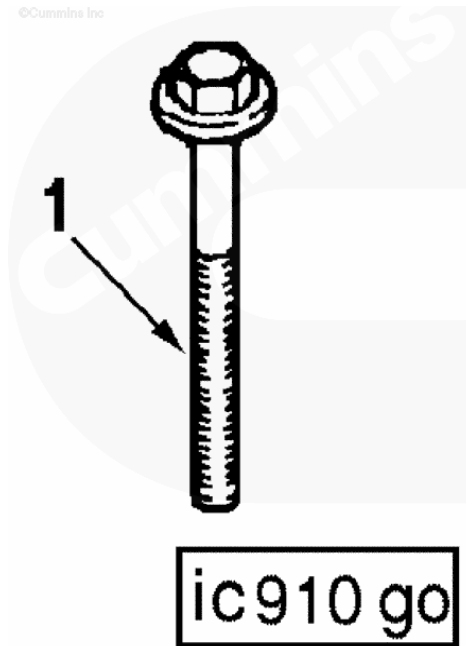
油底壳
Oil sump



油底壳
Oil sump

序号 Item No.	零件代码 Part No.	中文名称 Chinese Name	英文名称 English Name	数量 Quantity	适用车型 Bus Model	备注 Notes
1	3025806		Screw, Socket Head Cap	2		M8 X 1.25 X 30
2	3901445		Screw, Hex Flange Head Cap	18		M8 X 1.25 X 45
3	4942685		Tube, Lub Oil Suction	1		
4	4938655		Adapter, Oil Pan	1		
5	4934344		Gasket, Oil Pan	1		
	4898036		Pan, Oil	1		Mechelen Parts
6	3287561		Washer, Sealing	2		
7	3282266	螺塞	Expansion plug	2		
8	4898037		Pan, Oil	1		
9	4898301		Gasket, Oil Suc Connection	1		

发动机控制单元安装
Engine Control Module Loca

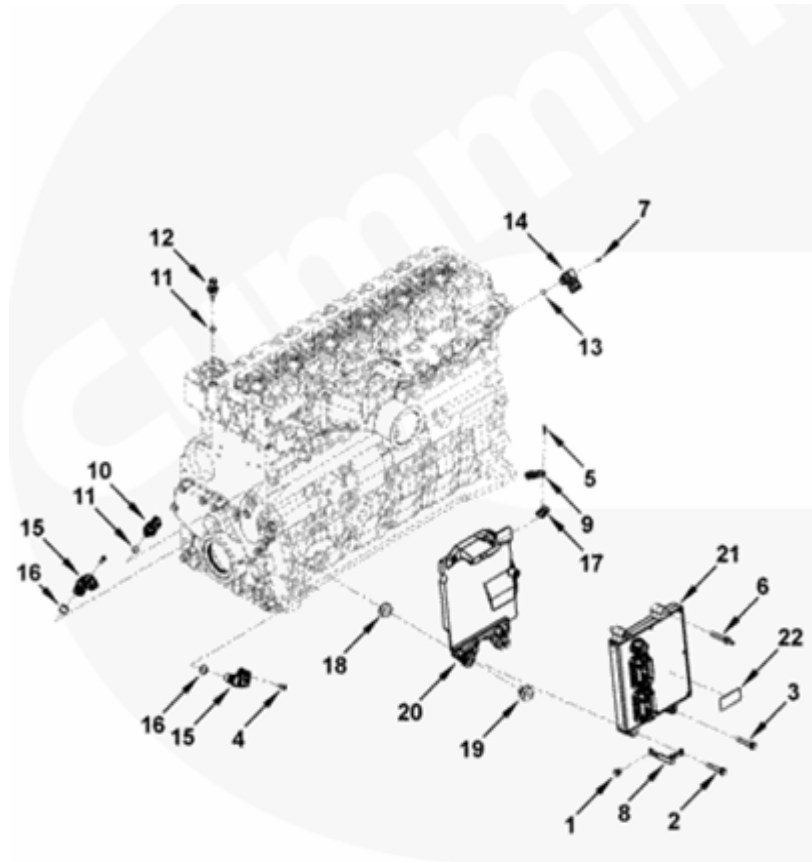


发动机控制单元安装

Engine Control Module Loca

序号 Item No.	零件代码 Part No.	中文名称 Chinese Name	英文名称 English Name	数量 Quantity	适用车型 Bus Model	备注 Notes
1	3901445		Screw, Hex Flange Head Cap	3		M8 X 1.25 X 45

发动机控制模块
Engine control Module

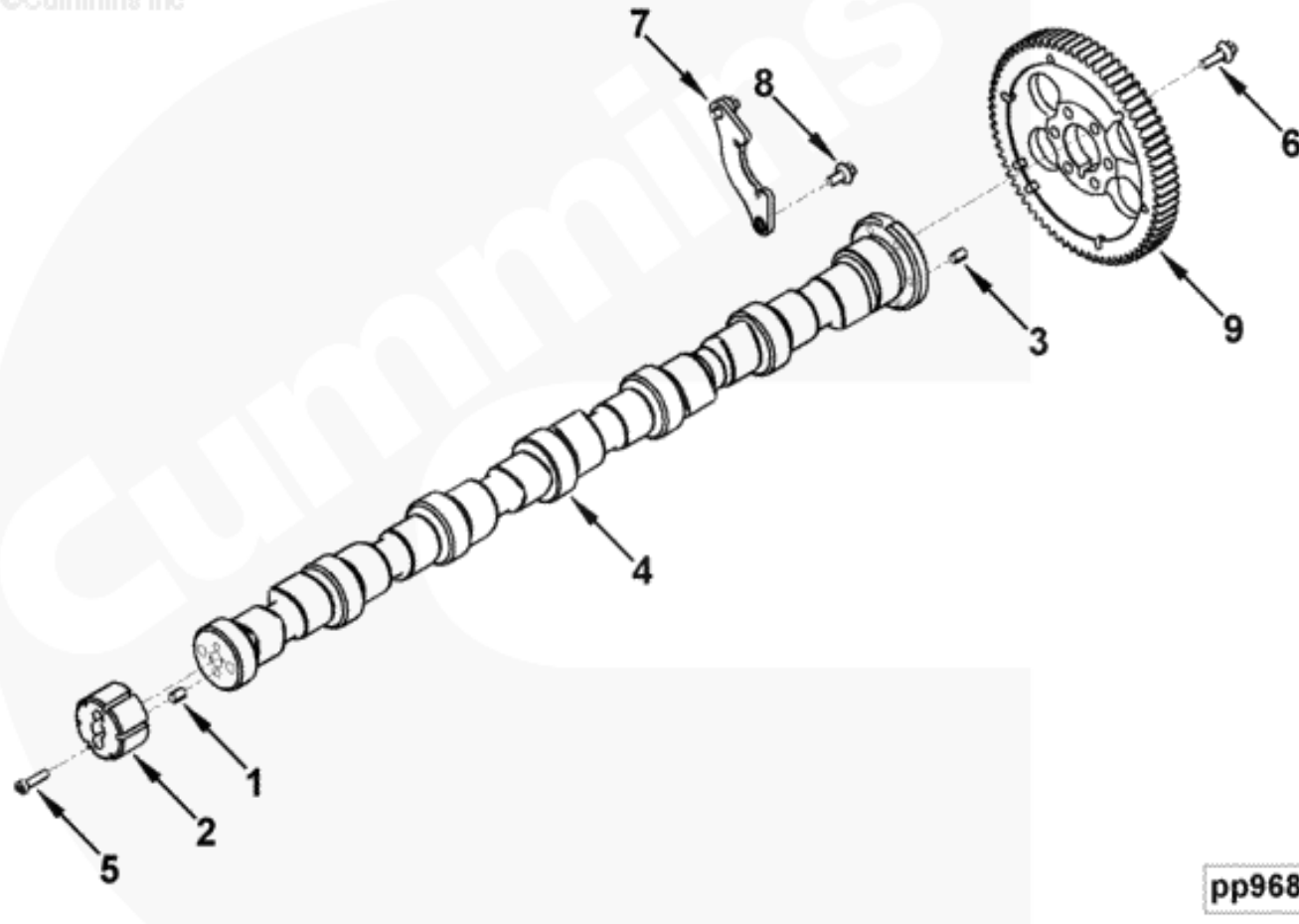


发动机控制模块
Engine control Module

序号 Item No.	零件代码 Part No.	中文名称 Chinese Name	英文名称 English Name	数量 Quantity	适用车型 Bus Model	备注 Notes
1	3093956		Screw, Hex Flange Head Cap	1		M8 X 1.25 X 12
2	3900633		Screw, Hex Flange Head Cap	3		M8 X 1.25 X 50
3	3928873		Screw, Hex Flange Head Cap	3		
4	3906391		Screw, Socket Head Cap	2		M6 X 1.00 X 16
5	3920854		Screw, Captive Washer Cap	1		M5 X 0.80 X 20
6	3944816		Screw, Hex Flange Head Cap	1		
7	3957849		Screw, Socket Head Cap	1		
8	3977357	接地导线	Ground wire	1		
9	4076493		Sensor, Pressure	1		Ambient Air
10	4076930		Switch, Pressure	1		Oil
11	4921574	O 形密封圈	O ring	1		
12	4954905		Sensor, Temperature	1		Coolant or Oil
	4921322		Sensor, Prs Temperature	1		进气歧管
13	4903482	O 形密封圈	O ring	1		
14	4921323		Sensor, Prs Temperature	1		进气歧管
15	2872277		Sensor, Position	2		Cam or Crank
16	4928599	O 形密封圈	O ring	1		
17	4932211		Clip	1		
	4996967		Bracket, Etr Cnt Module	1		
18	3955219		Isolator, Vibration	3		
19	3955220		Isolator, Vibration	3		
20	4993966		Bracket, Etr Cnt Module	1		
21	4995445		Module, Electronic Control	1		Recon no. 4995445 NX
22	3958748		Decal	1		

凸轮轴
Camshaft

©Cummins Inc

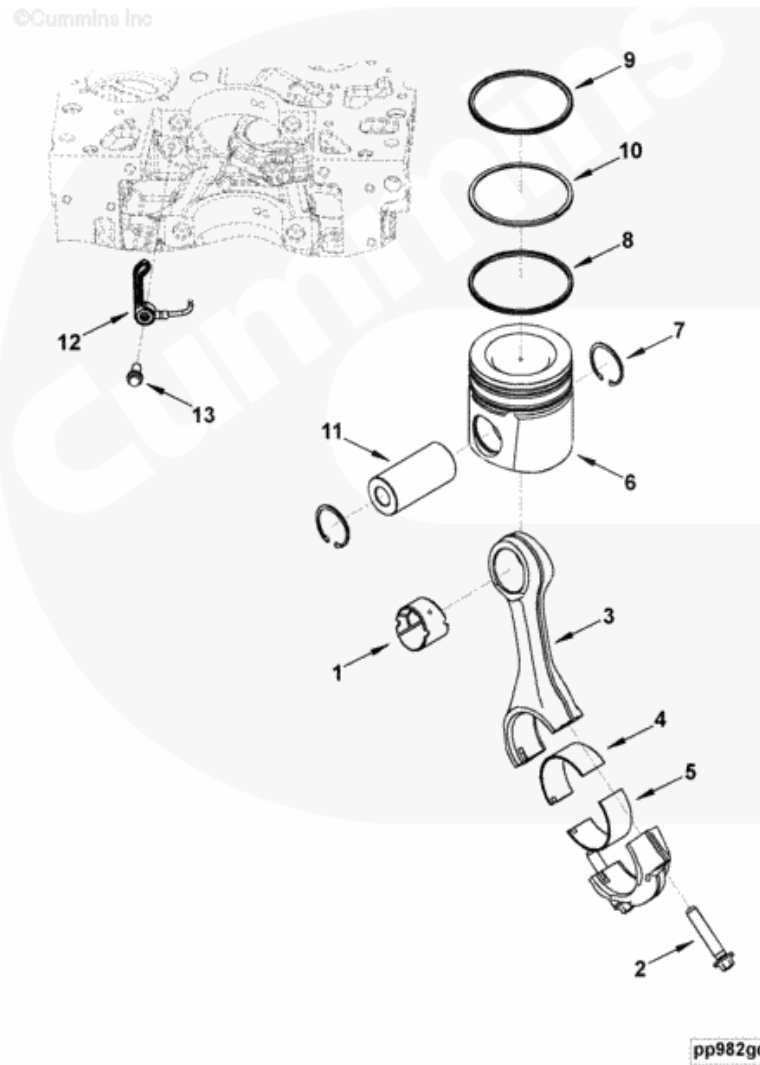


pp968gs

**凸轮轴
Camshaft**

序号 Item No.	零件代码 Part No.	中文名称 Chinese Name	英文名称 English Name	数量 Quantity	适用车型 Bus Model	备注 Notes
	3954100	凸轮轴		1		Purchase Lower Level Comp.
1	3954111		Dowel, Ring	1		
2	3955069		Ring, Speed Indicator	1		
	3979506	凸轮轴	Camshaft	1		
3	3904483		Dowel, Pin	1		
4	3954099	凸轮轴	Camshaft	1		Purchase #3979506
5	4895877		Screw, Socket Head Cap	2		
6	3093730		Screw, Hex Flange Head Cap	6		M8 X 1.25 X 25
7	5258931		Support, Camshaft Thrust	1		
8	3925883		Screw, Hex Flange Head Cap	2		M8 X 1.25 X 16
9	3955152		Gear, Camshaft	1		

連杆及活塞 Connecting Rod and Piston



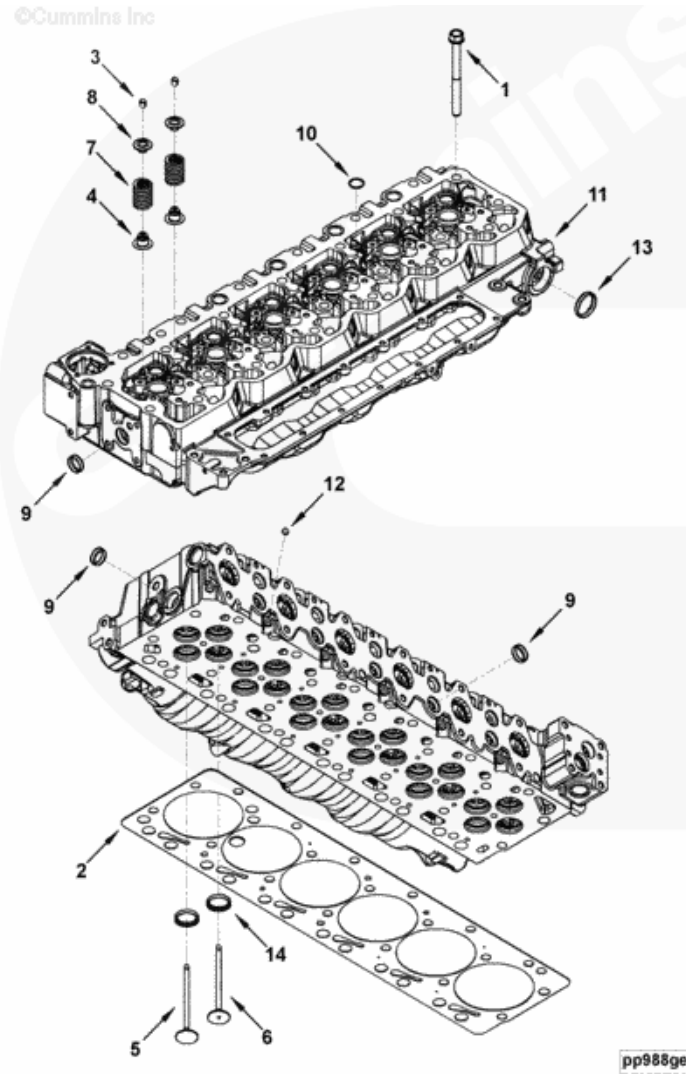
连杆及活塞
Connecting Rod and Piston

序号 Item No.	零件代码 Part No.	中文名称 Chinese Name	英文名称 English Name	数量 Quantity	适用车型 Bus Model	备注 Notes
	4943979		Rod, Engine Connecting	6		
1	4891178		Bushing	1		
2	4891179		Screw, Connecting Rod Cap	2		
3	4943978		Rod, Engine Connecting	1		
4	3969562		Bearing, Connecting Rod	6		标准
5	4893693		Bearing, Connecting Rod	6		标准
	4955365		Kit, Engine Piston	6		
6	4938619		Piston, Engine	1		Serviced as 4955365
7	3920691	挡圈	Circlip	2		
	4955366		Set, Piston Ring	1		
8	3971297		Ring, Compression Piston	1		
9	3976339		Ring, Compression Piston	1		
10	4932801		Ring, Oil Piston	1		
11	4931041		Pin, Piston	6		
12	4937308		Nozzle, Piston Cooling	6		
13	3964817		Screw, Banjo Connector	6		
4	4932375		Bearing, Connecting Rod	A/R		0.25 mm Oversize
4	4932376		Bearing, Connecting Rod	A/R		0.50 mm Oversize
4	4932377		Bearing, Connecting Rod	A/R		0.75 mm Oversize
4	4932378		Bearing, Connecting Rod	A/R		1.00 mm Oversize
5	4892795		Bearing, Connecting Rod	A/R		0.25 mm Oversize
5	4892796		Bearing, Connecting Rod	A/R		0.50 mm Oversize
5	4892797		Bearing, Connecting Rod	A/R		0.75 mm Oversize

连杆及活塞
Connecting Rod and Piston

序号 Item No.	零件代码 Part No.	中文名称 Chinese Name	英文名称 English Name	数量 Quantity	适用车型 Bus Model	备注 Notes
5	4892798		Bearing, Connecting Rod	A/R		1.00 mm Oversize
	4956007		Kit, Engine Piston	A/R		0.50 mm Oversize Piston Kit
6	4938620		Piston, Engine	1		Serviced as 4956007
7	3920691	挡圈	Circlip	2		
	4955480		Set, Piston Ring .50 Mm	1		0.50 mm Oversize
8	4931042		Ring, Compression Piston	1		
9	4934282		Ring, Compression Piston	1		
10	4932802		Ring, Oil Piston	1		
11	4931041		Pin, Piston	1		

缸盖
Cylinder head

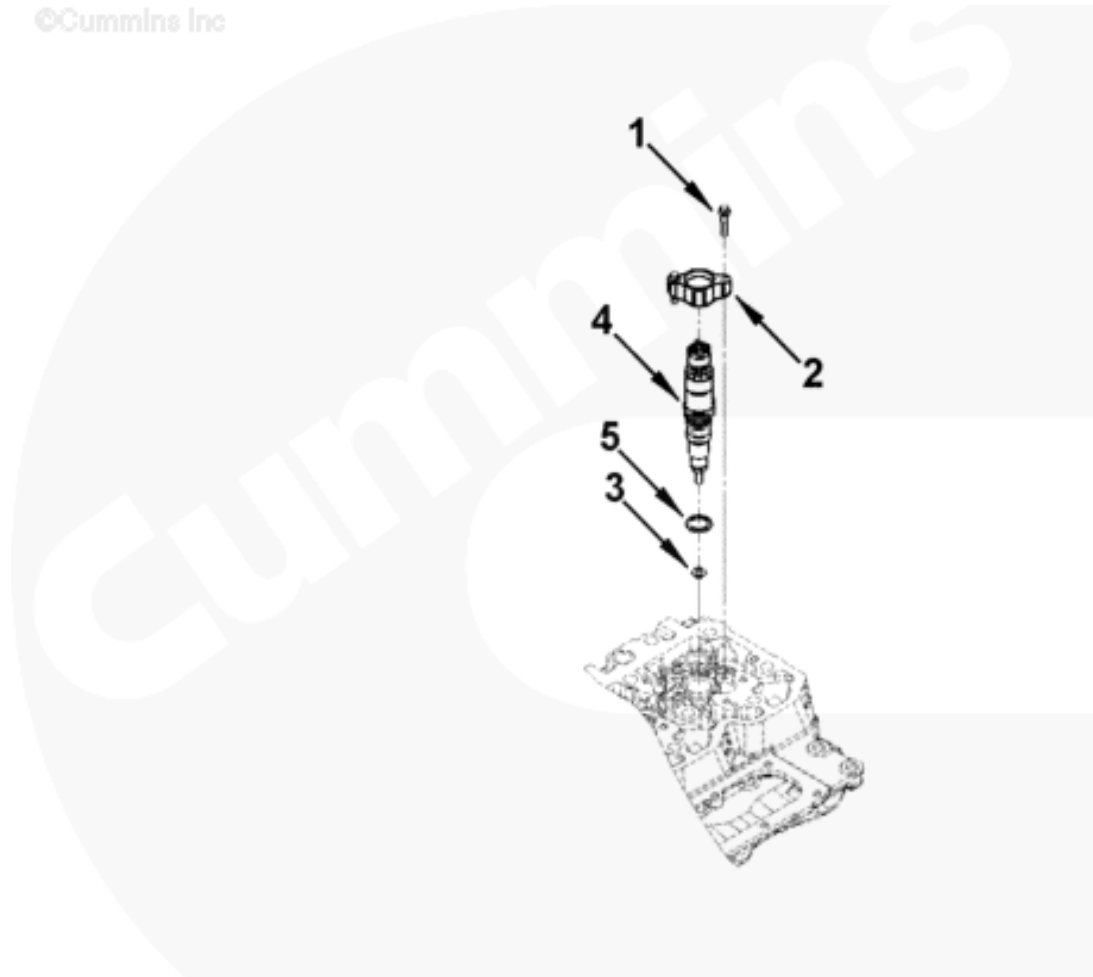


缸盖
Cylinder head

序号 Item No.	零件代码 Part No.	中文名称 Chinese Name	英文名称 English Name	数量 Quantity	适用车型 Bus Model	备注 Notes
1	3927063		Screw, Hex Flange Head Cap	26		
2	4932210		Gasket, Cylinder Head	1		
	2831474		Head, Cylinder	1		Purchase 4936081
	3802924		Kit, Intake Valve	12		
3	3940123		Collet, Valve	2		
4	3955393		Seal, Valve Stem	1		
5	3940735		Valve, Intake	1		Serviced as 3802924
4	3955393		Seal, Valve Stem	12		
	3802967		Kit, Exhaust Valve	12		
3	3940123		Collet, Valve	2		
6	3940734		Valve, Exhaust	1		Serviced as 3802967
7	4936080		Spring, Valve	24		
8	3943198		Retainer, Valve Spring	24		
	2831475		Head, Cylinder	1		
9	3914035	膨胀塞	Expansion plug	13		
10	3920706	膨胀塞	Expansion plug	11		
11	2831476		Head, Cylinder	1		
12	3945093	膨胀塞	Expansion plug	7		
13	3945094	膨胀塞	Expansion plug	2		
14	4893244		Insert, Valve	24		

喷油器
Fuel injector

©Cummins Inc

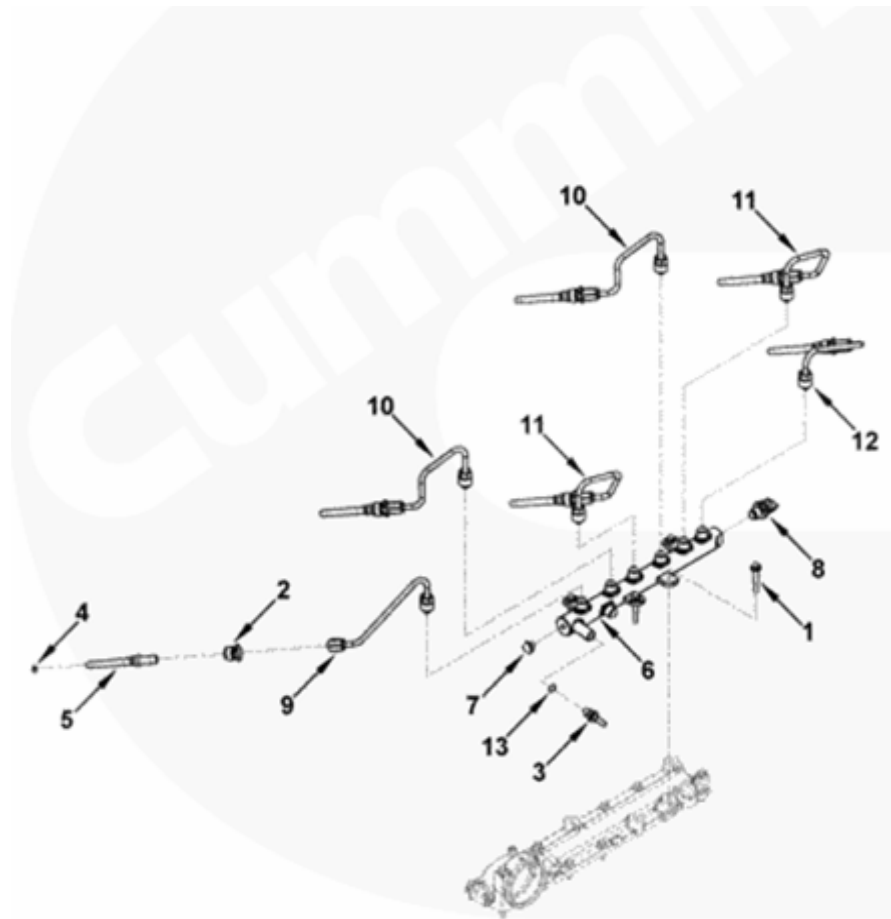


pp968gk

喷油器
Fuel injector

序号 Item No.	零件代码 Part No.	中文名称 Chinese Name	英文名称 English Name	数量 Quantity	适用车型 Bus Model	备注 Notes
1	3900628		Screw, Hex Flange Head Cap	12		M6 X 1.00 X 30
2	5259180		Clamp, Injector	6		
4	4988835	喷油器	Fuel injector	6		Recon Equivalent 4988835 NX
3	3976371		Seal, Injector	1		
5	3977393	O形密封圈	O ring	1		

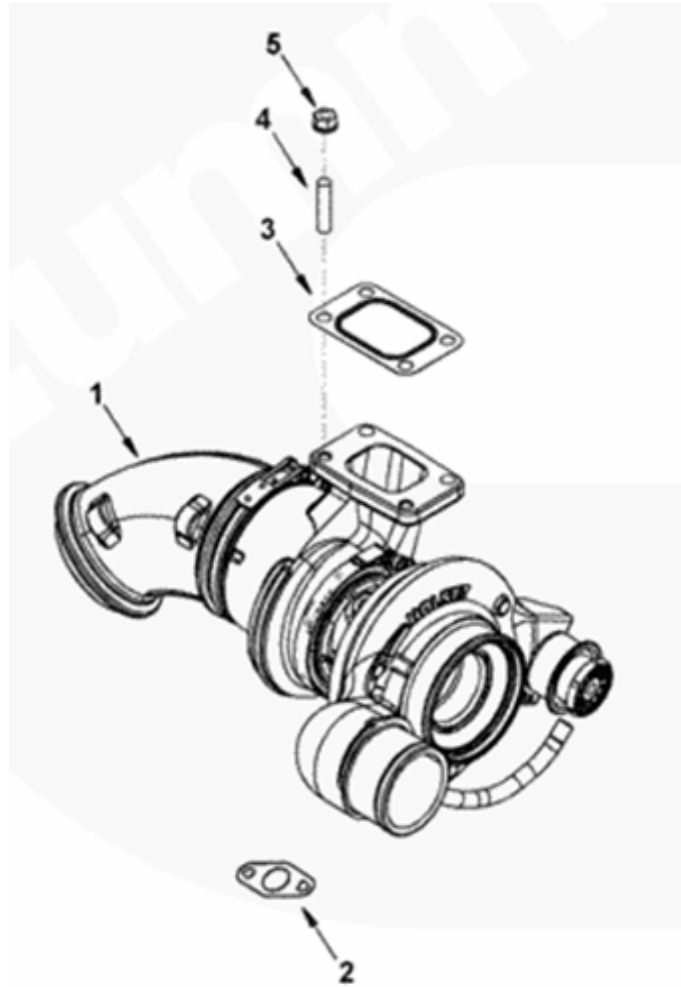
喷油管路
Injector Plumbing



喷油管路
Injector Plumbing

序号 Item No.	零件代码 Part No.	中文名称 Chinese Name	英文名称 English Name	数量 Quantity	适用车型 Bus Model	备注 Notes
1	3900633	O 形密封圈	Screw, Hex Flange Head Cap	4		M8 X 1.25 X 50
2	3946625		Retainer, Inj Ful Sup Cnr	6		
3	3964337		Connector, Qck Disconnect	1		
	4929864		Connector, Inj Fuel Supply	6		
4	3972753		O ring	1		
5	4929865		Connector, Inj Fuel Supply	1		
6	4937282		Manifold, Fuel	1		
7	4938005		Valve, Pressure Relief	1		
8	5261237		Sensor, Pressure	1		
9	4935981		Tube, Injector Fuel Supply	1		#6 Cylinder
10	4935982		Tube, Injector Fuel Supply	2		#3 and #5 Cylinder
11	4935974		Tube, Injector Fuel Supply	2		#2 and #4 Cylinder
12	4935976		Tube, Injector Fuel Supply	1		#1 Cylinder
13	4891385	Washer, Sealing	1			

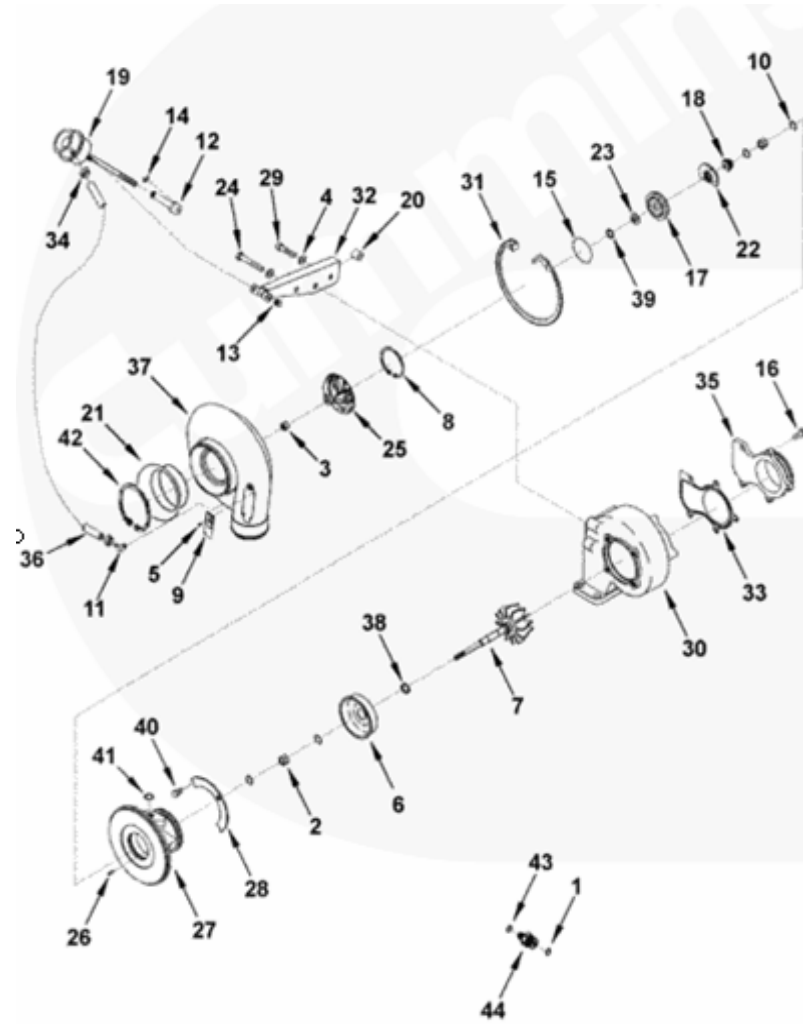
涡轮增压器
Turbocharger



涡轮增压器
Turbocharger

序号 Item No.	零件代码 Part No.	中文名称 Chinese Name	英文名称 English Name	数量 Quantity	适用车型 Bus Model	备注 Notes
	4047760	涡轮增压器		1		
	4956078	涡轮增压器组件		1		
1	4047759	涡轮增压器	Turbocharger	1		Serviced as 4956078
2	4891288		Gasket, Oil Drain	1		
3	3919369	涡轮增压器密封垫	Seal gasket, turbocharger	1		
4	3818823		Stud	4		M10 X 1.5-6G Both Ends
5	3818824		Nut, Hexagon Flange	4		M10 X 1.50

涡轮增压器
Turbocharger



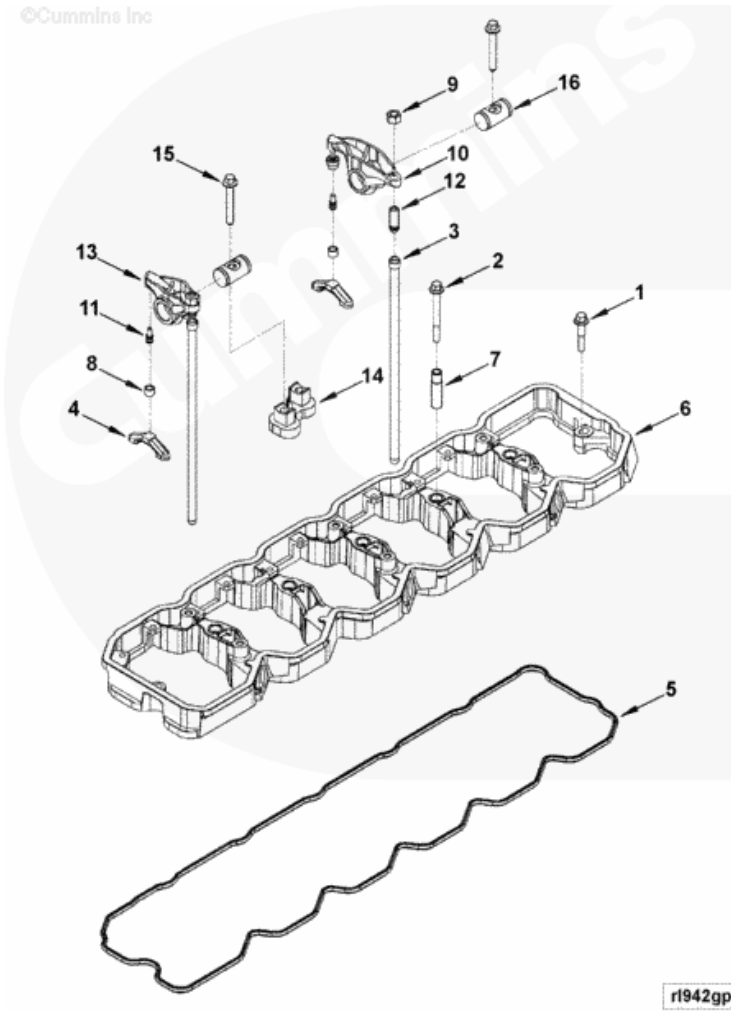
涡轮增压器
Turbocharger

序号 Item No.	零件代码 Part No.	中文名称 Chinese Name	英文名称 English Name	数量 Quantity	适用车型 Bus Model	备注 Notes	
	4956078	涡轮增压器组件	Turbocharger assy	1			
	4047759	涡轮增压器	Turbocharger	1		Serviced as 4956078	
1	3922794	O形密封圈	O ring	1			
2	3503100	涡轮增压器轴承	Bearing, turbocharger	2			
3	3596402	锁紧螺母	Lock nut	1			
4	3504967	平垫圈	Flat washer	2			
5	3519163		Screw, Drive	2			
6	3519302	涡轮增压器隔热罩	heat insulator, turbocharger	1			
7	3595832	轴和轮	Shaft and wheel	1			
8	3527566	挡圈	Circlip	1			
9	3527619	铭牌	Nameplate	1			
10	3762259	挡圈	Circlip	4			
11	3528121		Coupling, Elbow Hose	1			Holset Part Sold Only in Kits
12	2838907		End, Adjusting Link	1			
13	3528414		Nut, Regular Hexagon Jam	1			
14	3528221	挡圈	Circlip	1			
15	3528933	O形密封圈	O ring	1			
16	3530556	六角头定位螺栓	Bolt	5			M8 X 1.25 X 20
17	3596448		Plate, Oil Seal	1			
18	3597783	机油挡油圈	Circlip	1			
19	2834882		Actuator, Turbocharger	1			
20	3532195		Spacer, Mounting	2			
21	3532427		Baffle, Turbocharger Noise	1			

涡轮增压器
Turbocharger

序号 Item No.	零件代码 Part No.	中文名称 Chinese Name	英文名称 English Name	数量 Quantity	适用车型 Bus Model	备注 Notes
22	3595651	涡轮增压器止推轴承	Thrust bearing, turbocharger	1		
23	3532217	止推环	Thrust ring	1		
24	3596812		Screw, Hex Flange Head Cap	2		
25	4039431	涡轮增压器压气机叶轮	impeller	1		
26	3522597		Pin, Roll	1		
27	2834884	涡轮增压器轴承座	Bearing seat, turbocharger	1		
28	3501188		Plate, Clamping	2		
29	3534291	六角头定位螺栓	Bolt	2		
30	2834639	涡轮机壳体	Casing, turbo	1		
31	3533163	挡圈	Circlip	1		
32	3595299		Bracket, Actuator	1		
33	3535001		Gasket, Adapter	1		
34	3535215		Clamp, Hose	2		Holset Part Sold Only in Kits
35	4045468		Connection, Adapter	1		
36	4048761		Hose, Plain	1		
37	4047764	压气机壳体	Casing, compressor	1		
38	3536143	开口毡封圈	Sealing ring	2		
39	3758848	开口毡封圈	Sealing ring	1		
40	3759917	六角头定位螺栓	Bolt	4		M8 X 1.25 X 12
41	3523275	O形密封圈	O ring	1		
42	3531238	挡圈	Circlip	1		
43	3678603	O形密封圈	O ring	1		
44	3922790		Connector, Male	1		M12 X 1.50 X 11/16-16

摇臂
Rocker arm



摇臂
Rocker arm

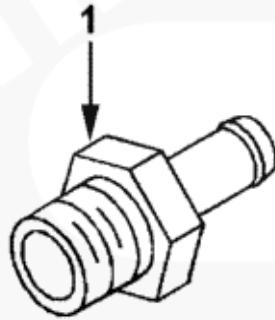
序号 Item No.	零件代码 Part No.	中文名称 Chinese Name	英文名称 English Name	数量 Quantity	适用车型 Bus Model	备注 Notes
1	3900633		Screw, Hex Flange Head Cap	2		M8 X 1.25 X 50
2	3903096		Screw, Hex Flange Head Cap	5		M8 X 1.25 X 70
3	3941253		Rod, Push	12		
4	3943626		Crosshead, Valve	12		
5	4899231		Gasket, Rkr Lever Housing	1		
	4938657		Housing, Rocker Lever	1		
6	4938658		Housing, Rocker Lever	1		
7	4938676		bushing	5		
	4995602		Assembly, Rocker Lever	6		
	4995603		Lever, Rocker	1		
8	4994198		Socket, Rocker Lever	1		
	4995605		Lever, Rocker	1		
9	3927692		Nut, Heavy Hexagon	1		
10	3941928		Lever, Rocker	1		Exhaust
11	4994197		Ball, Rocker Lever	1		
12	3959128		Screw, Rkr Lever Adjusting	1		
	4995604		Lever, Rocker	1		
8	4994198		Socket, Rocker Lever	1		
	4995606		Lever, Rocker	1		
9	3927692		Nut, Heavy Hexagon	1		
11	4994197		Ball, Rocker Lever	1		
12	3959128		Screw, Rkr Lever Adjusting	1		
13	3941927		Lever, Rocker	1		Intake

摇臂
Rocker arm

序号 Item No.	零件代码 Part No.	中文名称 Chinese Name	英文名称 English Name	数量 Quantity	适用车型 Bus Model	备注 Notes
14	3964908		Support, Rocker Lever	1		
15	3990127		Screw, Hex Flange Head Cap	2		
16	4928699		Shaft, Rocker Lever	2		

VENT,ENGINE COOLANT

©Cummins Inc



rp950gd

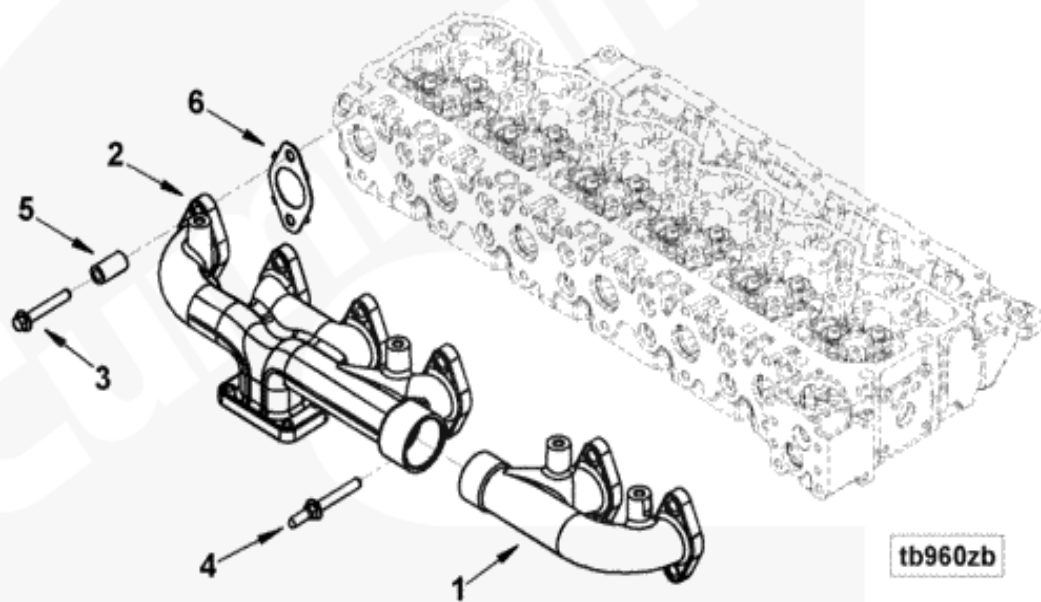


VENT,ENGINE COOLANT

序号 Item No.	零件代码 Part No.	中文名称 Chinese Name	英文名称 English Name	数量 Quantity	适用车型 Bus Model	备注 Notes
1	3943670		Fitting, Orifice	1		

涡轮增压器布置
Turbocharger arrangement

©Cummins Inc



tb960zb

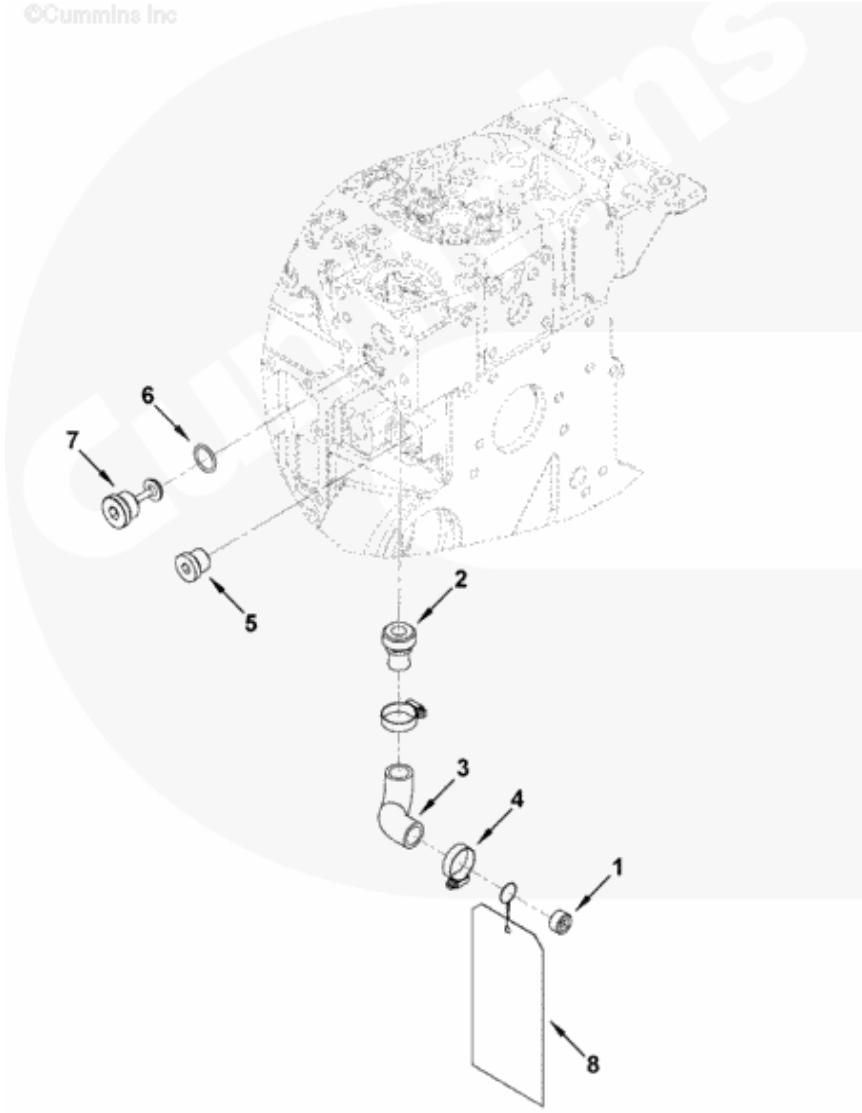
涡轮增压器布置

Turbocharger arrangement

序号 Item No.	零件代码 Part No.	中文名称 Chinese Name	英文名称 English Name	数量 Quantity	适用车型 Bus Model	备注 Notes
1	3943872		Manifold, Exhaust	1		
2	3943875		Manifold, Exhaust	1		
3	3944593		Screw, Hex Flange Head Cap	11		M10 X 1.5 X 65
4	3944655		Screw, Hex Flange Head Cap	1		
5	3945252		Spacer, Mounting	12		
6	3955339		Gasket, Exhaust Manifold	6		

Torque Converter Oil Cooler

©Cummins Inc



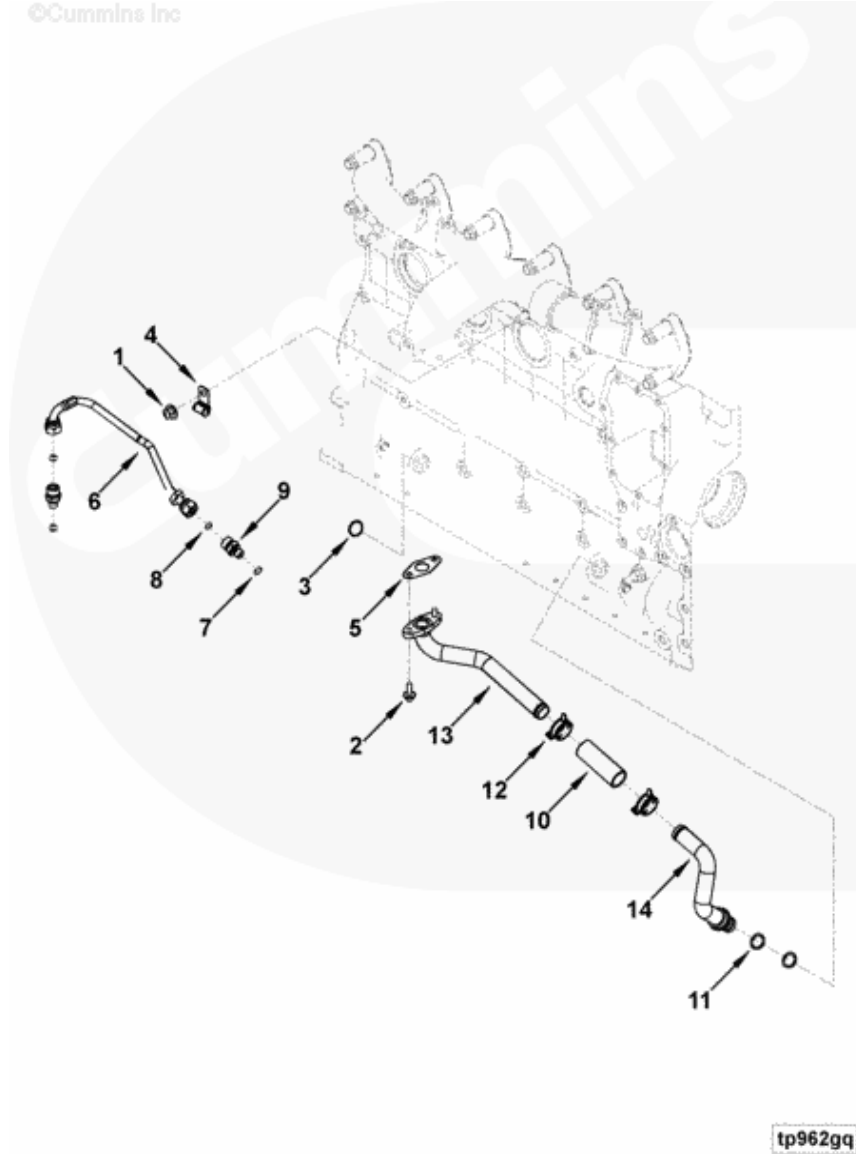
tk943gw

Torque Converter Oil Cooler

序号 Item No.	零件代码 Part No.	中文名称 Chinese Name	英文名称 English Name	数量 Quantity	适用车型 Bus Model	备注 Notes
1	3013786	管塞	Pipe plug	1		3/8 NPT
2	3287185		Coupling, Plain Hose	1		
3	3287186		Hose, Molded	1		
4	3287272		Clamp, Hose	2		
5	3977855	螺塞	Screw plug	1		
	3942766	螺塞	Screw plug	1		
6	3089240	O形密封圈	O ring	1		M22 X 1.50 X 15.5
7	3942765	螺塞	Screw plug	1		
8	3942803		Tag, Instruction	1		

涡轮增压器管路 Turbocharger pipeline

©Cummins Inc



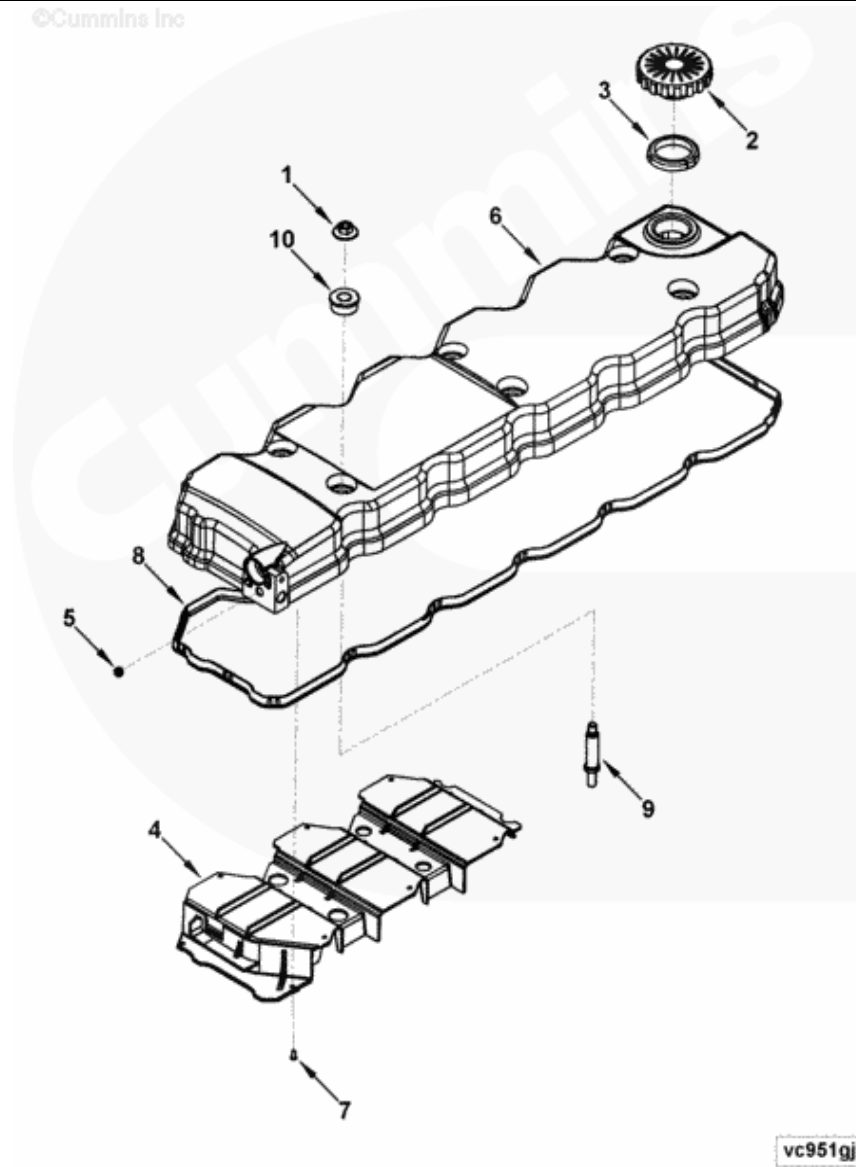
tp962gq

涡轮增压器管路
Turbocharger pipeline

序号 Item No.	零件代码 Part No.	中文名称 Chinese Name	英文名称 English Name	数量 Quantity	适用车型 Bus Model	备注 Notes
1	3093828		Nut, Hexagon Flange	1		
2	3900630		Screw, Hex Flange Head Cap	2		M8 X 1.25 X 20
3	3920706	膨胀塞	Expansion plug	1		
4	3965818		Clamp, Tube	1		
5	4891288		Gasket, Oil Drain	1		
6	4992267	柔性软管	Flexible hose	1		
	4940183	外螺纹接头	Connector	2		
7	3678603	O 形密封圈	O ring	1		
8	3922794	O 形密封圈	O ring	1		
9	4940182	外螺纹接头	Connector	1		
	4992210		Connection, Tur Oil Drain	1		
10	5263842		Hose, Plain	1		
11	3928624	O 形密封圈	O ring	2		
12	3937613		Clamp, Hose	2		
13	4992211		Connection, Tur Oil Drain	1		
14	4993479		Connection, Tur Oil Drain	1		

Valve Cover Arrangement

©Cummins Inc



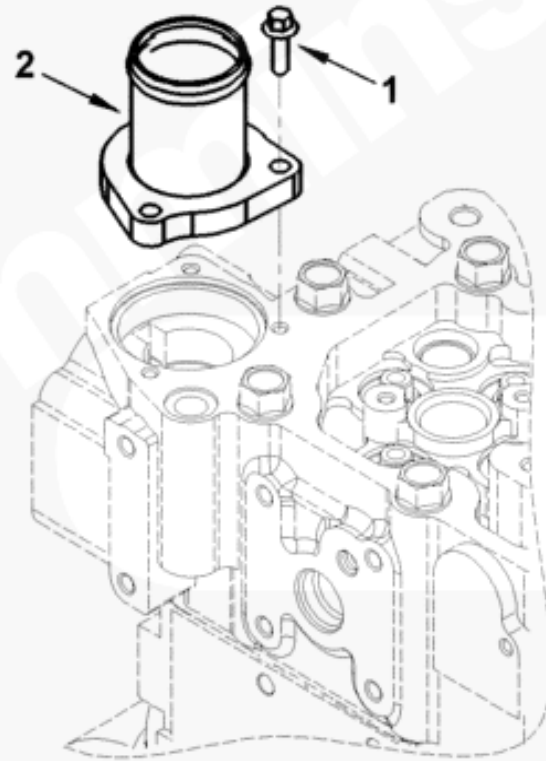
vc951gj

Valve Cover Arrangement

序号 Item No.	零件代码 Part No.	中文名称 Chinese Name	英文名称 English Name	数量 Quantity	适用车型 Bus Model	备注 Notes
1	4893936		Nut, Hexagon Flange	6		Buy Lower Level Components
	3976167		Cover, Valve	1		
	4895459		Cap, Filler	1		
2	4895460		Cap, Filler	1		
3	4895461		Gasket, Filler Cap	1		
	3968862		Cover, Valve	1		
4	4898648		Baffle, Breather	1		
	2831347		Cover, Valve	1		
5	3945095		expansion plug	1		
6	2831325		Cover, Valve	1		
7	4899188		Rivet	8		
8	4899226		Gasket, Valve Cover	1		
9	4896991		Stud	6		
10	4899239		Isolator, Noise	6		

出水口接头
CONNECTION, WATER OUTLET

©Cummins Inc



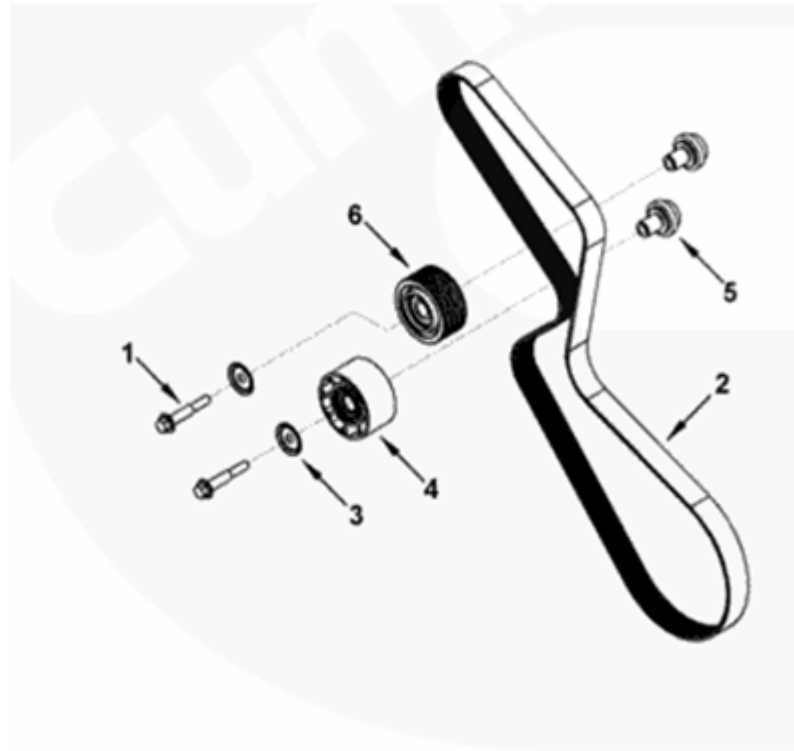
wo900zc

出水口接头

CONNECTION, WATER OUTLET

序号 Item No.	零件代码 Part No.	中文名称 Chinese Name	英文名称 English Name	数量 Quantity	适用车型 Bus Model	备注 Notes
1	3901865		Screw, Hex Flange Head Cap	3		M6 X 1.00 X 20
2	3943300		Connection, Water Outlet	1		

水泵驱动
Water Pump Drive



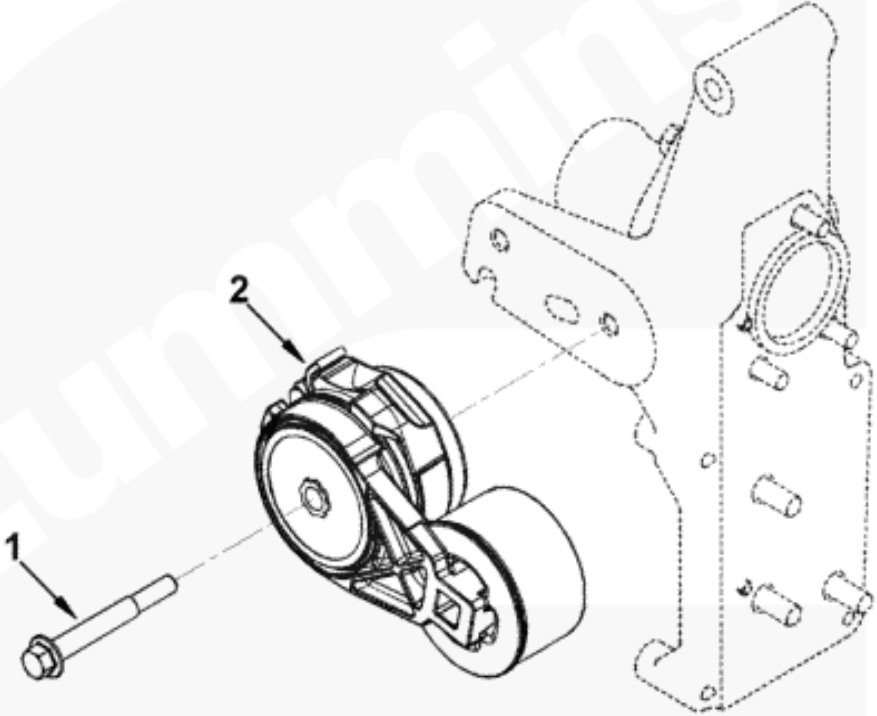
水泵驱动
Water Pump Drive

序号 Item No.	零件代码 Part No.	中文名称 Chinese Name	英文名称 English Name	数量 Quantity	适用车型 Bus Model	备注 Notes
1	3900635		Screw, Hex Flange Head Cap	2		M10 X 1.50 X 60.
2	3289001		V -belt	1		
3	3921533		Shield, Dust	2		
4	3978324		Pulley, Idler	1		
5	3935229		Shaft, Idler	2		
6	4991240		Pulley, Idler	1		

皮带张紧轮

Belt Tensioner

©Cummins Inc



wp900zc

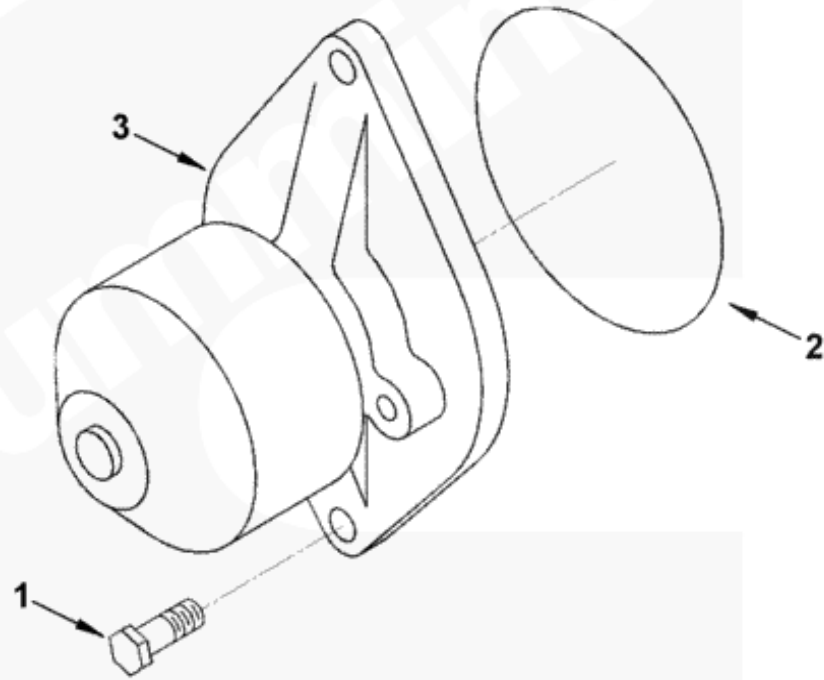
皮带张紧轮

Belt Tensioner

序号 Item No.	零件代码 Part No.	中文名称 Chinese Name	英文名称 English Name	数量 Quantity	适用车型 Bus Model	备注 Notes
1	3282081		Screw, Hex Flange Head Cap	1		M10 X 1.50 X 75
2	3973820		Tensioner, Belt	1		

水泵
PUMP, WATER

©Cummins Inc



wp952ga

水泵
PUMP,WATER

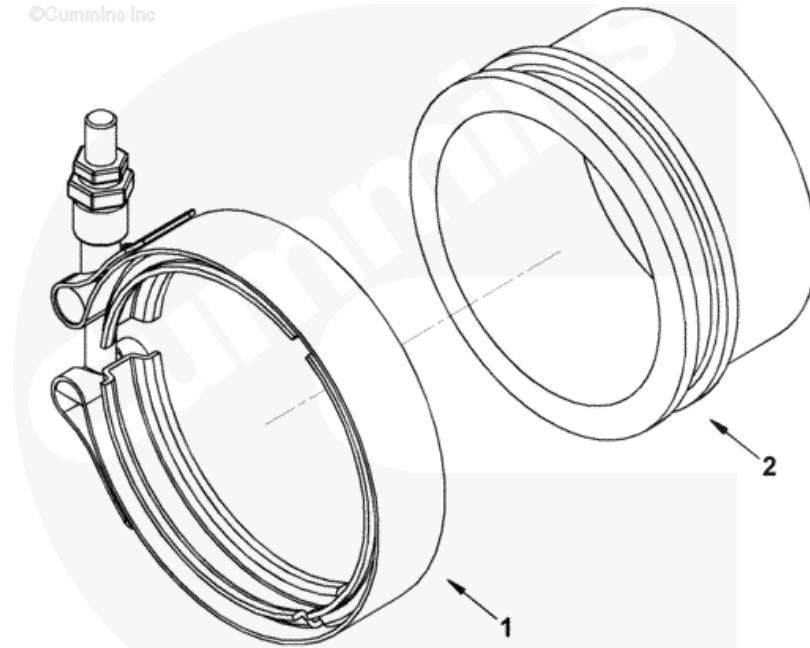
序号 Item No.	零件代码 Part No.	中文名称 Chinese Name	英文名称 English Name	数量 Quantity	适用车型 Bus Model	备注 Notes
1	3093730		Screw, Hex Flange Head Cap	2		M8 X 1.25 X 25
	3800984		Pump, Water	1		Recon Equiv. 3800984
2	3906698	矩形密封圈	Rectangle seal ring	1		NX/RX
3	4891252		Pump, Water	1		Serviced as 3800984

发动机电控单元线束
ELE CNT MDL WRG Harness

序号 Item No.	零件代码 Part No.	中文名称 Chinese Name	英文名称 English Name	数量 Quantity	适用车型 Bus Model	备注 Notes
1	3287699		Harness, Wiring	3		
2	3287727		Clip, Wire Retaining	6		
3	4890404		Clip, Wire Retaining	3		
4	4937420		Screw, Round Head Cap	3		
5	5260403		Harness, Etr Cnt Mdl Wrg	1		

排气接口
Exhaust Outlet Connection

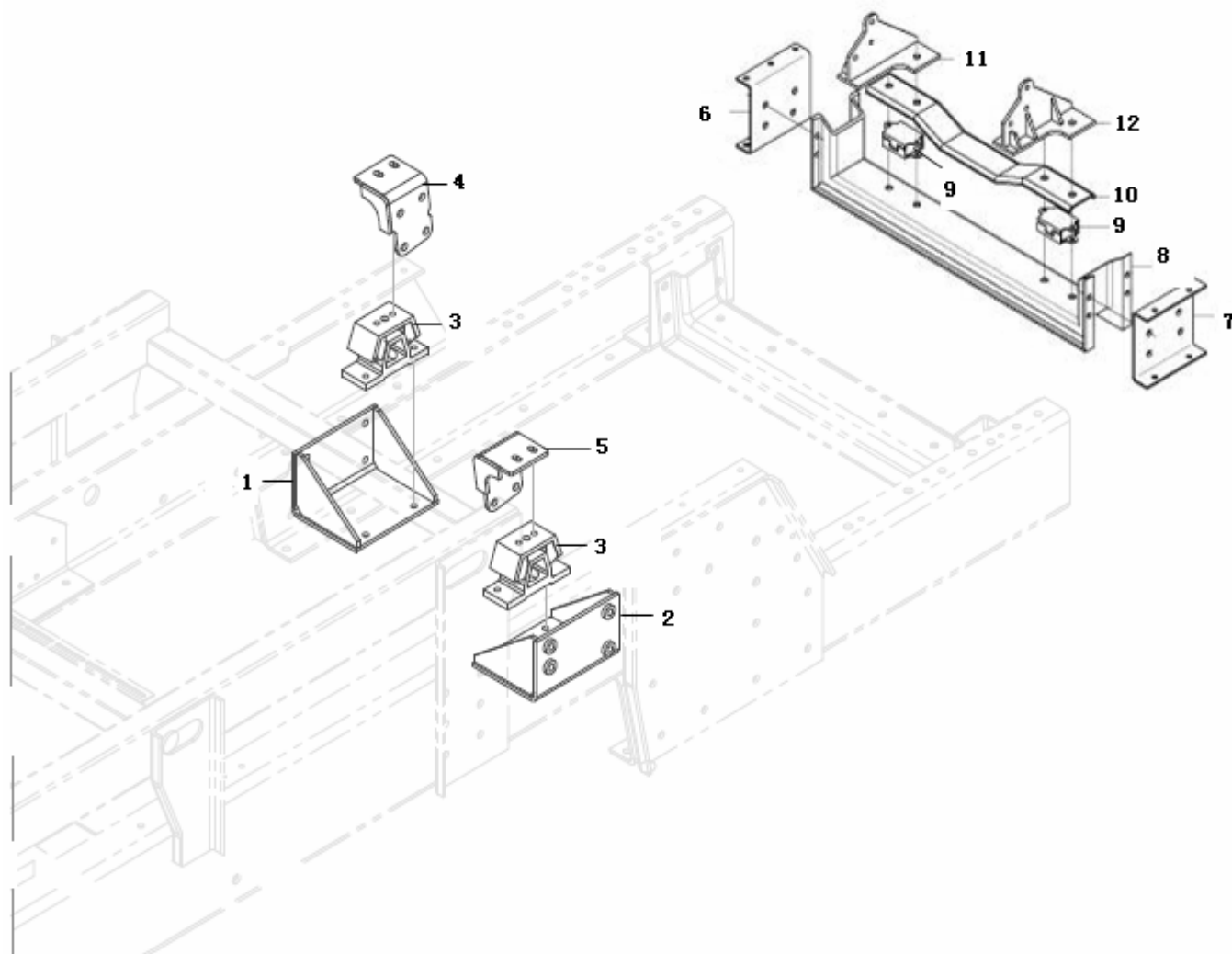
©Cummins Inc



xs900zf

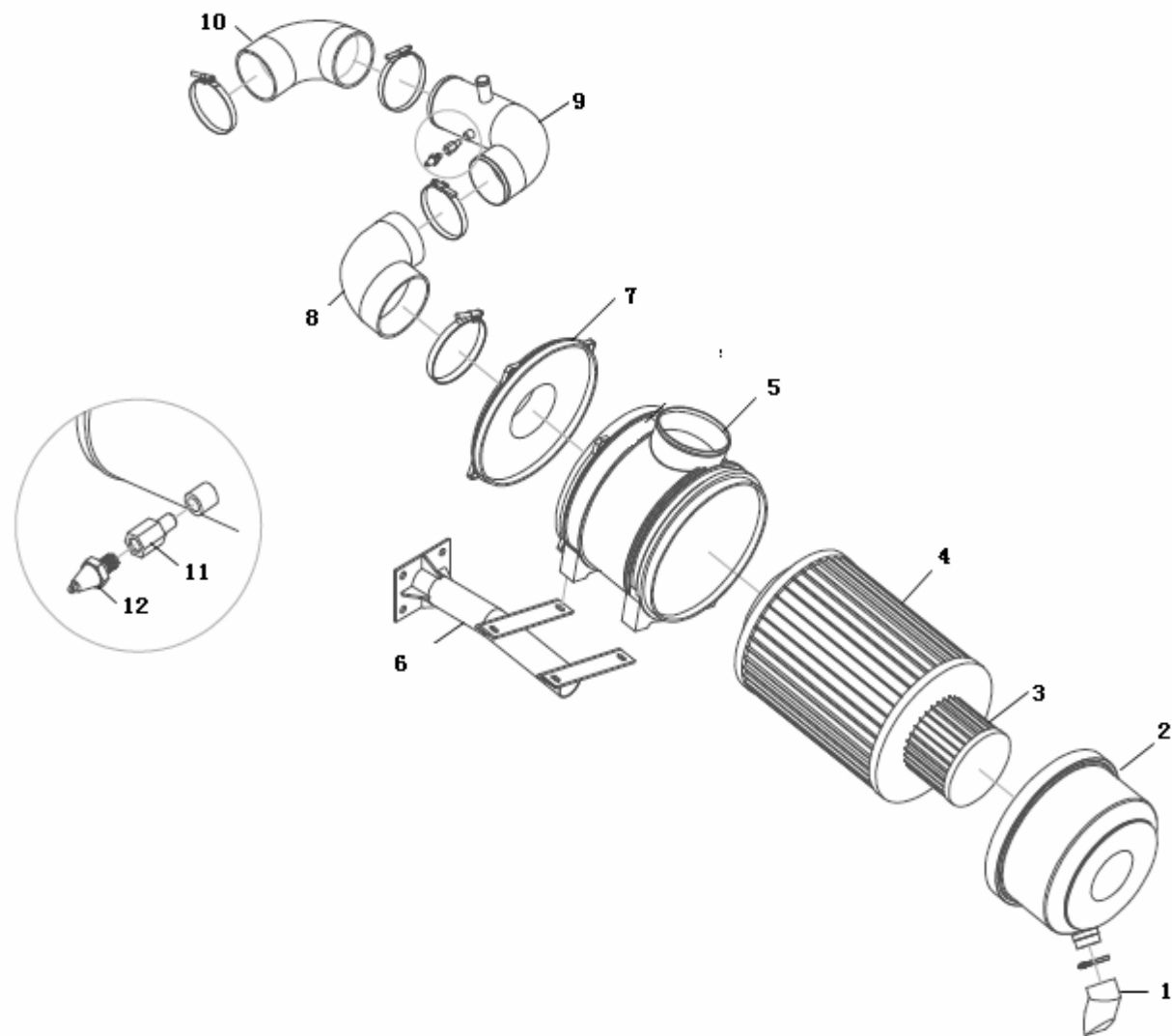
排气接口
Exhaust Outlet Connection

序号 Item No.	零件代码 Part No.	中文名称 Chinese Name	英文名称 English Name	数量 Quantity	适用车型 Bus Model	备注 Notes
1	3903652		V clip	1		
2	3910990		Tube, Exhaust Outlet	1		



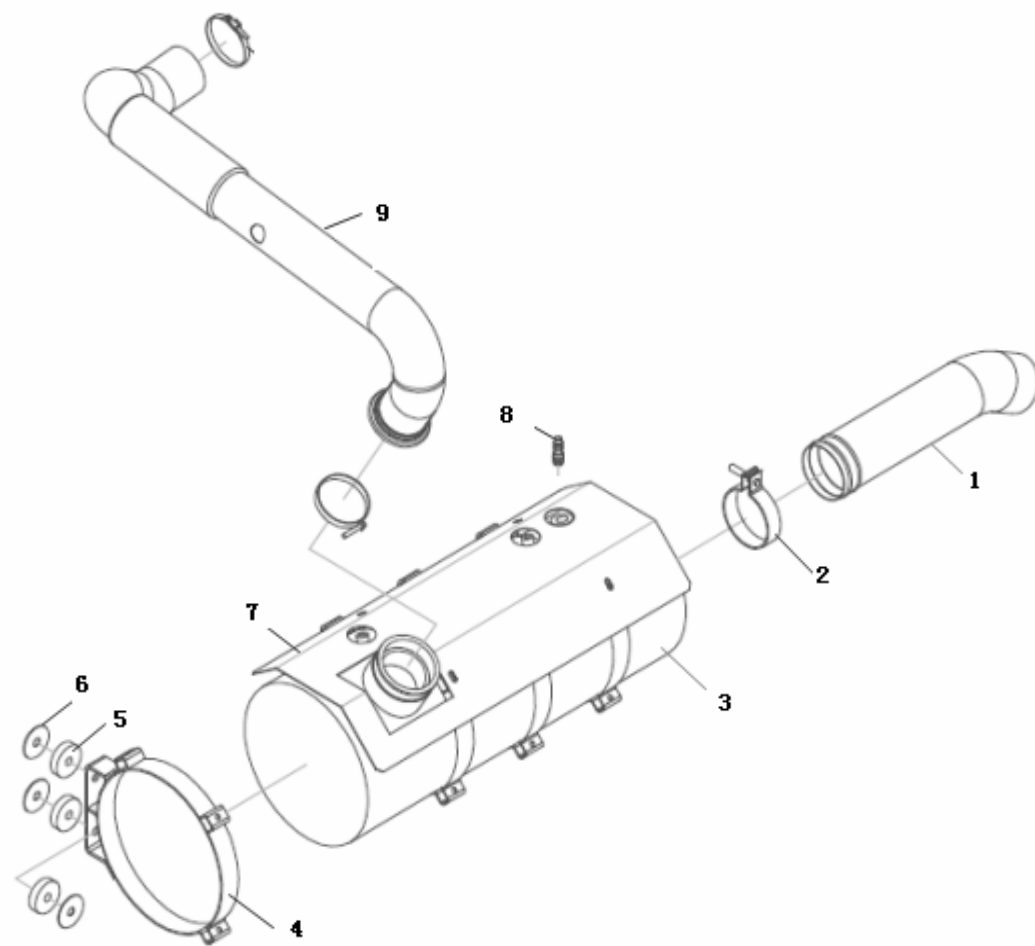
发动机悬置
Engine mounting

序号 Item No.	零件代码 Part No.	中文名称 Chinese Name	英文名称 English Name	数量 Quantity	适用车型 Bus Model	备注 Notes
1	310700720	左支架-发动机后悬置	Left bracket, rear suspension	1		
2	310700710	右支架-发动机后悬置	Right bracket, rear suspension	1		
3	6120Y-FE00-1001020	发动机后悬软垫	Rear cushion	2		1001035-602-2010
4	310602410	左缸体支架-发动机后悬置	Left bracket,cylinder rear	1		6930K-BU00-1001081
5	310602420	右缸体支架-发动机后悬置	Right bracket, cylinder rear	1		6930K-BU00-1001081
6	310400240	左连接支架-发动机前悬置	Left connecting bracket	1		
7	310400230	右连接板-发动机前悬置	Right connecting bracket	1		
8	310500230	托架总成-发动机前悬置	Bracket assy,front	1		
9	10D-01020	发动机前悬置软垫总成	Cushion, front	2		(6886Y-B600-1000010)
10	6858Y-B400-1001003	发动机前支架垫板	Cushion board, front bracket	1		
11	6858Y-B400-1001011	前悬置缸体左支架	Left bracket,front	1		
12	6858Y-B400-1001012	前悬置缸体右支架	Right bracket,front	1		



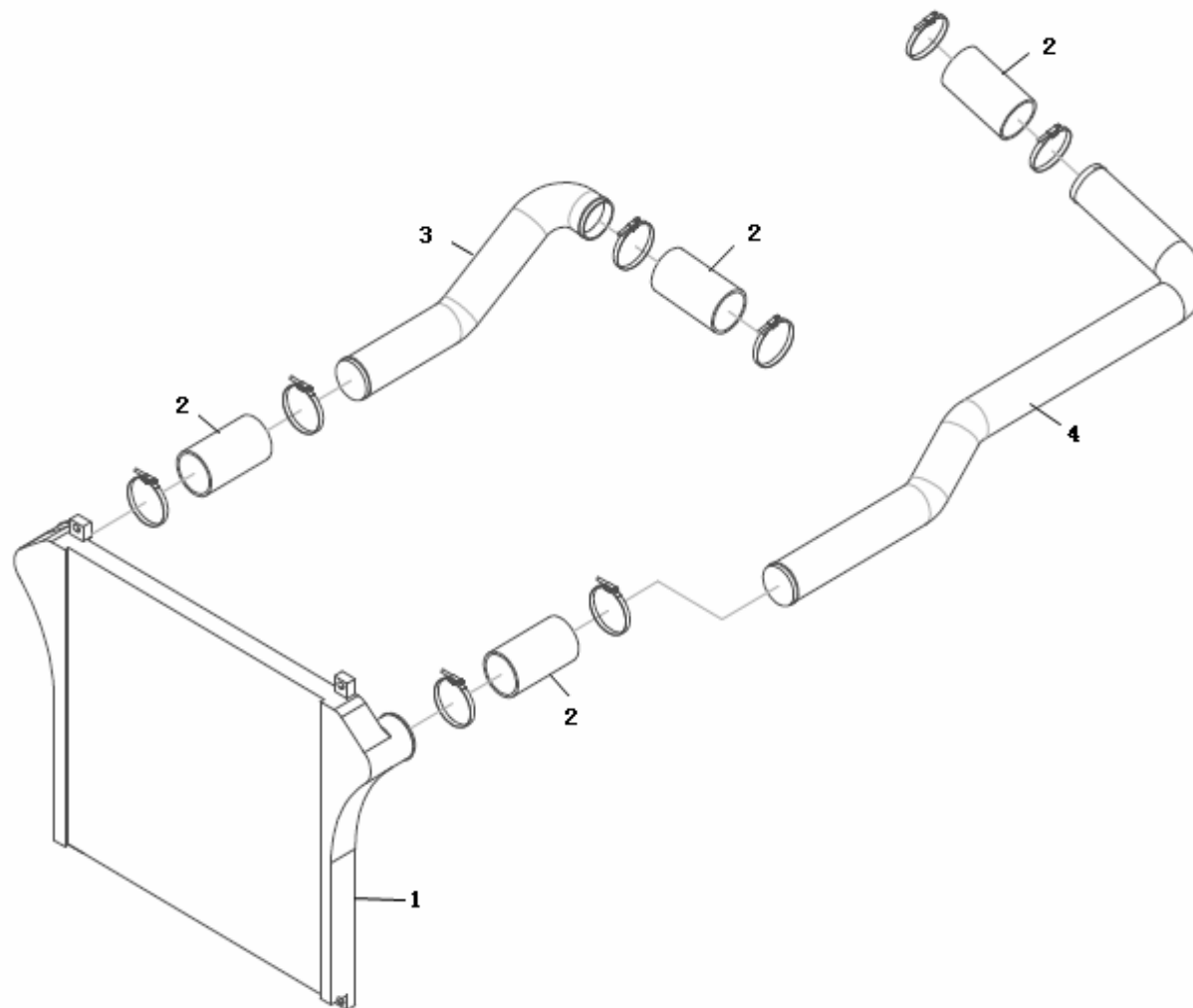
进气系统
Air intake system

序号 Item No.	零件代码 Part No.	中文名称 Chinese Name	英文名称 English Name	数量 Quantity	适用车型 Bus Model	备注 Notes
	6841G-F120-1109010	MANN-HUMMEL牌空滤器	Air filter assy	1		(NLG21-21
1	3900040661	排尘阀(鸭嘴)	Dust drain valve	1		
2	4486012284	下盖(带排尘孔)	Lower cover	1		
3	4574556159	安全滤芯	Filter element, safety	1		
4	4574556364	主滤芯	Filter element, main	1		
5	4486030869	中间壳体总成	Mid casing	1		
6	6930K-BU00-1109020	空滤器支架	Bracket, air filter	1		
7	4486012129	上盖(排气端盖)	Upper cover	1		
8	6119T-FH10-1109032-A01	压气机进气胶管	Rubber pipe, compressor intake	1		
9	370201320	钢管-进气	Steel pipe, air intake	1		
10	6120P-JB11-1109033Z	增压器进气胶管	Rubber pipe, compressor air intake	1		
	XMQ6122JW-1109032	进气软管(150*500)	Hose, air intake	1		
11	6110Y-W310-1109025	压力报警器过渡接头	Connector, air pressure annunciator	1		
12	3800431	压力报警器	Air pressure annunciator	1		



排气系统
Air exhaust system

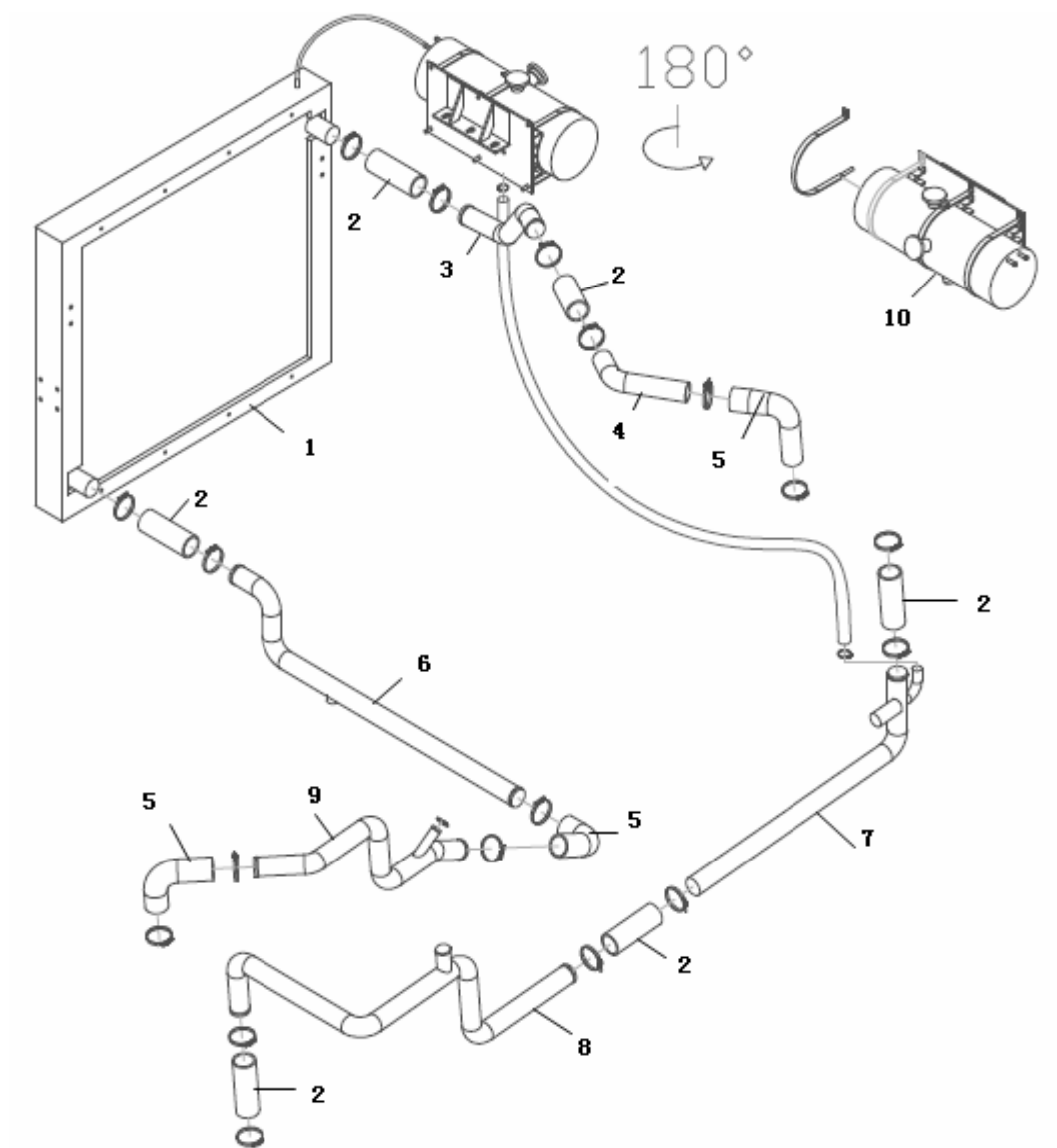
序号 Item No.	零件代码 Part No.	中文名称 Chinese Name	英文名称 English Name	数量 Quantity	适用车型 Bus Model	备注 Notes
1	6895Y-BC00-1203052	排气尾管	Tail pipe	1		
2	380102130	抱箍	Clip	1		
3	6117K-X400-1201010	300770-A后处理器总成	Rear processor	1		
4	380100930	消声器抱箍	Clip, muffler	3		6900K-BG00-1201025
5	320400020	软垫	Cushion	12		
6	320400010	垫片	Gasket	6		
7	313300450	隔热罩-消声器	Heat insulator	1		
8	212200280	氮氧化物传感器	NOX sensor	1		
9	370401590	排气管总成	Exhaust pipe assy	1		
	T12100020	装置图-排气系统				



中冷器
Intercooler system

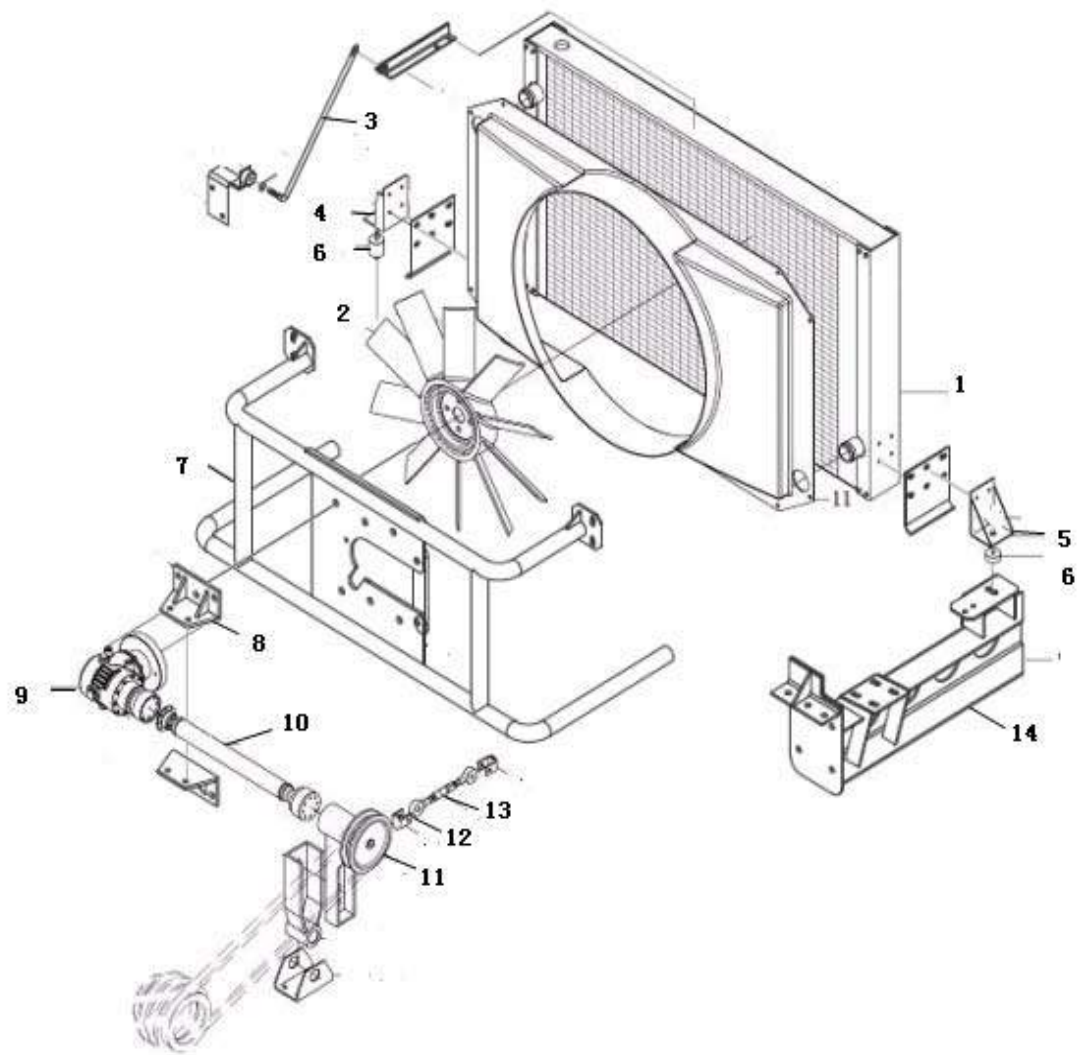
序号 Item No.	零件代码 Part No.	中文名称 Chinese Name	英文名称 English Name	数量 Quantity	适用车型 Bus Model	备注 Notes
1	213100240	冷却模块总成	Cooling module assy	1		
2	XMQ6885F-1119052	中冷器进气胶管	Rubber pipe, intercooler air intake	4		Φ76-180
3	370201330	钢管-进气	Steel pipe	1		Φ76
4	370304350	钢管-中冷	Steel pipe	1		Φ76

冷却水管
Cooling water pipe



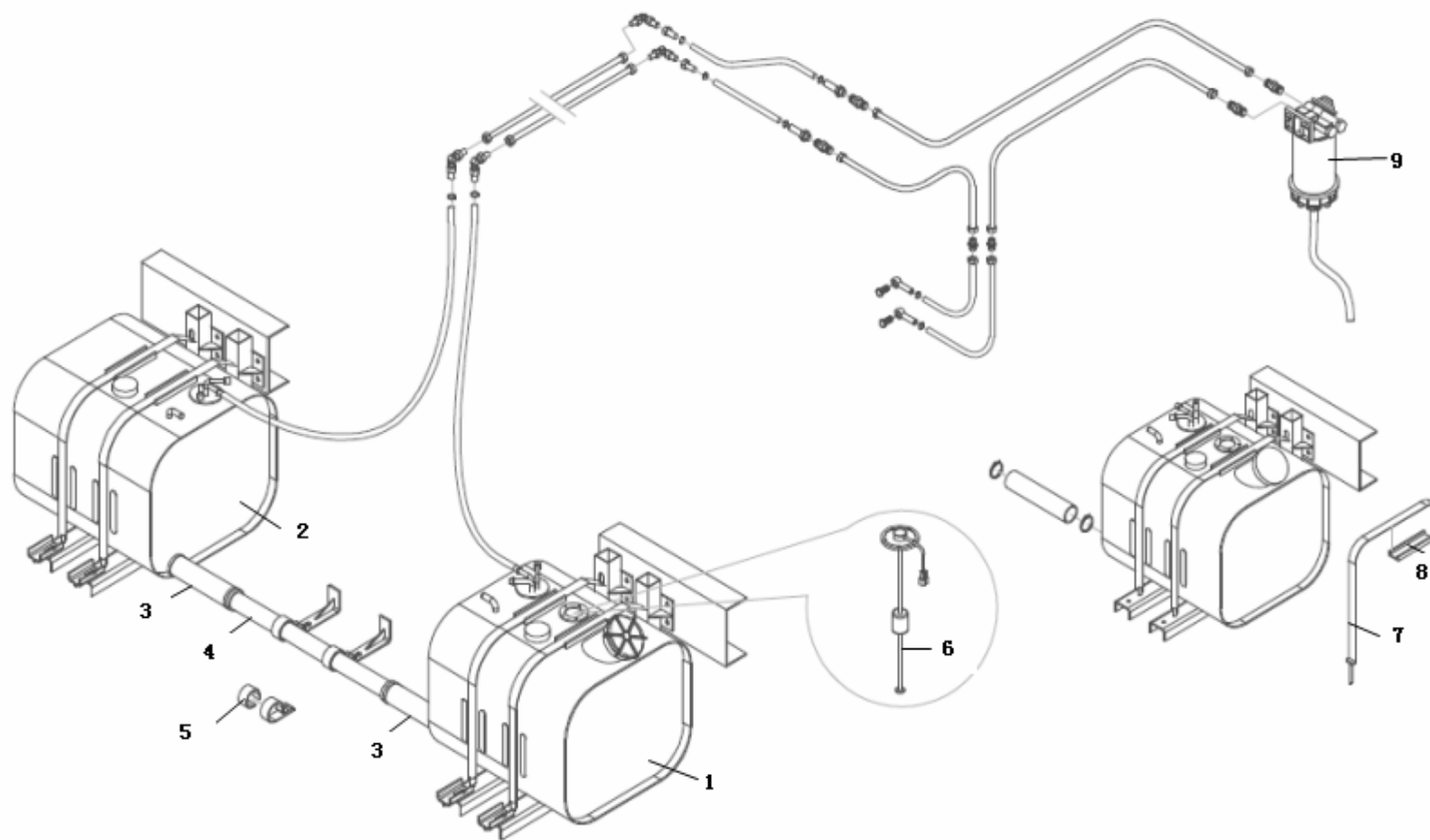
冷却水管
 Cooling water pipe

序号 Item No.	零件代码 Part No.	中文名称 Chinese Name	英文名称 English Name	数量 Quantity	适用车型 Bus Model	备注 Notes
1	6930K-BU00-1301050	水箱总成(13KA4-01010)	Water tank assy	1		
2	360600380	冷却胶管	Cooling rubber pipe	5		Φ50-160
3	6930K-BU00-1303011	发动机出水钢管	Steel pipe	1		
4	370502290	钢管-冷却	Steel pipe	1		6930K-BU00-1303017
5	360600390	冷却胶管	Cooling rubber pipe	3		
6	6930K-BU00-1303012	变速箱进水钢管1	Steel pipe	1		Φ50
7	370502270	钢管-冷却	Steel pipe	1		Φ50
8	6930K-BU00-1303014	发动机出水钢管	Steel pipe	1		Φ50
9	370502280	钢管-冷却	Steel pipe	1		Φ50
10	213500300	膨胀水箱	Expansion water tank	1		



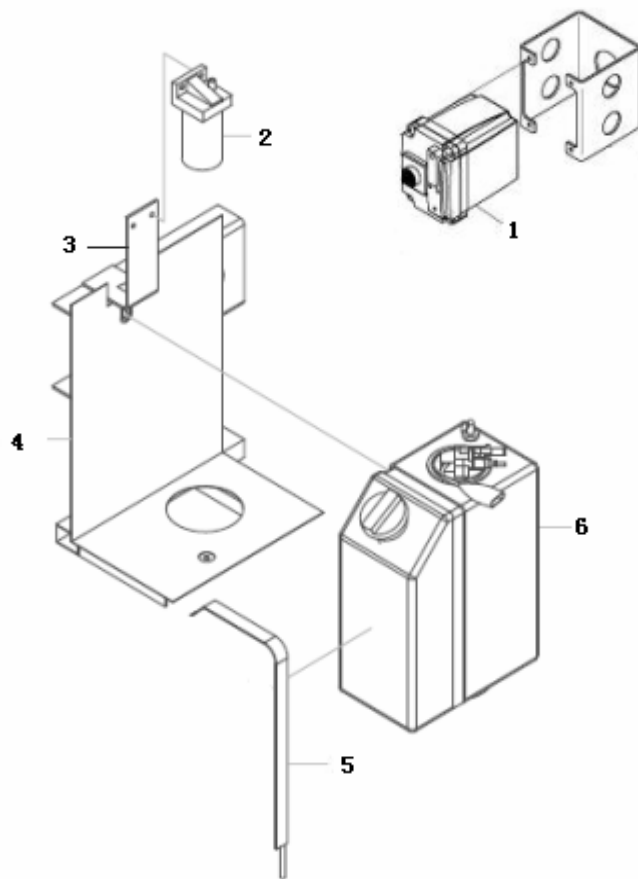
冷却风扇
Cooling fan

序号 Item No.	零件代码 Part No.	中文名称 Chinese Name	英文名称 English Name	数量 Quantity	适用车型 Bus Model	备注 Notes
1	213100240	冷却模块总成	Cooling module assy	1		
2	213300300	风扇总成-电磁	Fan assy	1		
3	313200180	水箱撑杆	Stay bar	1		
4	312137680	连接板-散热器支架	Connecting board	1		6930K-BU00-1302018
5	312137690	连接板-散热器支架	Connecting board	1		6930K-BU00-1302017
6	XMQ6128-1302044	水箱软垫	Cushion, water tank	2		
7	312103740	支架总成-电磁离合器	Bracket, clutch	1		
8	312103760	支架-角传动器	Bracket, angle driver	2		
9	6129Y-M300-1308010	三速电磁离合型风扇角传动器	Angle driver, fan	1		
10	213700320	风扇角传动轴总成	Fan angle driver	1		6930K-BU00-1308040
11	6129Y-JB00-1308200	皮带轮-过渡轮	Belt pulley	1		
12	312101610	支架-调节杆	Bracket, adjusting bar	2		6140Y2-D700-1308120
13	313200620	中间皮带轮张紧螺杆总成 (L=	Tension bar assy	1		
14	312000700	后框架总成-冷却系统	Framework assy	1		



供油系
Fuel supply system

序号 Item No.	零件代码 Part No.	中文名称 Chinese Name	英文名称 English Name	数量 Quantity	适用车型 Bus Model	备注 Notes
1	211101040	主燃油箱总成	Main fuel tank assy	1		
2	211101030	副燃油总成	Assistant fuel tank assy	1		
3	6140YS-WD80-1104035	油箱通气胶管	Rubber pipe	2		D50
4	370100290	燃油管总成	Fuel pipe assy	1		
5	6930K-0000-1303042	抱箍	Clip			
6	1101502-027KC	带外引线油量传感器(VD-RG904B34II/高300mm)	Fuel sensor	1		
7	6996Y-FH20-1101024-A	油箱拉带	Drawstring, fuel tank	4		
8	PJ-DD-95*480	油箱垫带(480*95)	Cushion belt, fuel tank	6		
9	211200080	柴油滤清器(F098-BS-010)	Fuel sensor	1		6120C-DE60-1105011



尿素罐
Urea tank

序号 Item No.	零件代码 Part No.	中文名称 Chinese Name	英文名称 English Name	数量 Quantity	适用车型 Bus Model	备注 Notes
1	6895Y-BC00-1205020	尿素喷射计量泵	Measuring pump, urea injection	1		
2	6895Y-BC00-1205050	油气分离器(395220100)	Separator,air/oil	1		
3	311800820	油气分离器支架	Bracket	1		
4	311800830	尿素罐支架	Bracket, urea tank	1		
5	380200610	拉带	Drawstring	1		
6	212200240	尿素罐总成	Urea tank assy	1		
	454-7373	空气换气阀	scavenging air valve	1		
	KRN35T-02-01	尿素罐罐体	Urea tank body assy	1		
	J-S50545	传感器总成	sensor assy	1		6120C-De60-1205096
	6130Y-DG80-1205030	尿素喷液管总成 (L=2000)	Urea injection pipe assy	1		
	360800080	尿素回液管总成	Urea return pipe assy	1		
	360800090	尿素进液管总成	Urea inlet pipe assy	1		



Spare Parts Catalog

ECOMAT 4

Material number: 4182.070.398
4182.004.585



Pos.	Information	Amendment number
001	Use case -----	
002	Customer Xiamen King Long Automotive Industry Co.	
003	City XIAMEN. P.R.CHINA 361012	
004	DUNS 65-419-3812	
005	Vehicle / Apparatus -----	
006	Sales Name XMQ6900GK	
007	Manufacturer Xiamen King Long Automotive Industry Co.	
008	Engineering Name	
009	Product Use BUS	
010	Vehicle/Hardware Type CITY BUS	
011	SOP	
012	Engine	
013	Sales Designation ISB6.7E5250B	
014	Manufacturer Cummins Engine Co.	
015	Drivetrain type DIESEL	
016	Eng.Displ. 6700 cm3	
017	Cylinder 6	
018	Nom. power 184 kW	
019	RPM at nom. power 2300 1/min	
020	Nom. torque 1020 Nm	
021	RPM at nom. torque 1200 1/min	
022	Classification use case -----	
023	TOTAL NUMBER OF WHEELS 4	
024	NUMBER OF DRIVING WHEELS 2	
025	DYNAMIC TYRE RADIUS 418 mm	
026	REAR AXLE RATIO 5.57	
027	MAXIMUM SPEED 96 km/h	
029	PERMISS.GROSS COMBIN.WEIGHT 13 t	
032	STALL SPEED 1873 1/min	
034	CONVERTER DIAGRAM Drawing 4168.706.044	
035	Drawing 6029.749.019	
036	Drawing 6029.749.018	



Pos.	Information	Amendment number
037	ANSCHLUSS Drawing 4139.530.143	
038	Product description -----	
039	TRANSMISSION VARIANT 6 HP 504 C	
040	SOFTWARE VERSION	
041	ENGINE GUIDING WK ACTIVE	

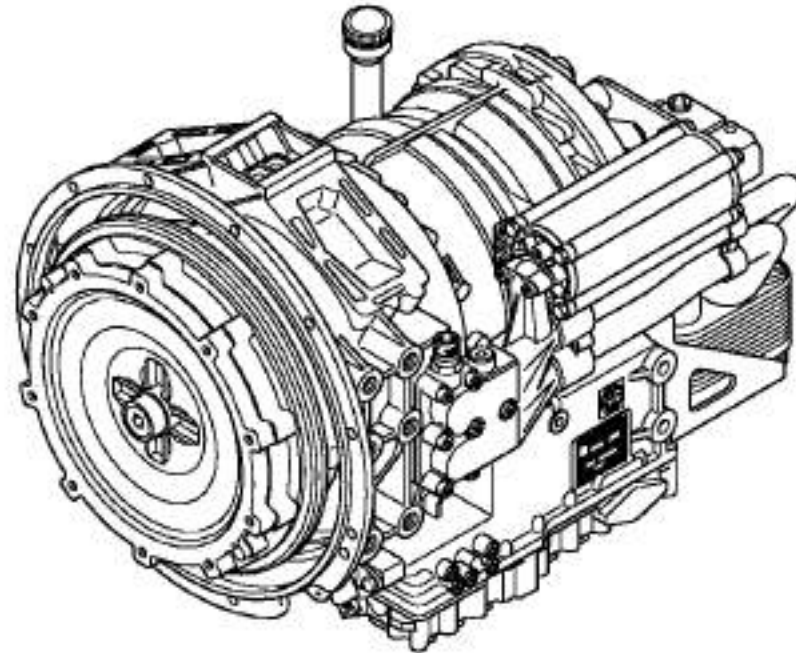


Graphics	Pos.	Material number	Name	VKF	Amend. no.	Amend. start	Prod. no.	Material feature / tech. info.	ID
004.a9.01-1	932	4182.004.585	6 HP 504 C	1		00.00.0000		20*14*ZFN 5015*MIT DRWK*ANGEFLANSCHT*2*A*D*3.430*0.590*3.430	1
004.c1.08-1	950	6009.090.797	EST 146	1		00.00.0000		6 HP 504 C*STEP 5.1.1*3*1050.000	1
004.e1.02-1	970	4139.130.190	CONNECTION	1		00.00.0000			3
	984	4149.196.474	PERIPHERAL EQUIPMENT	1		00.00.0000			3

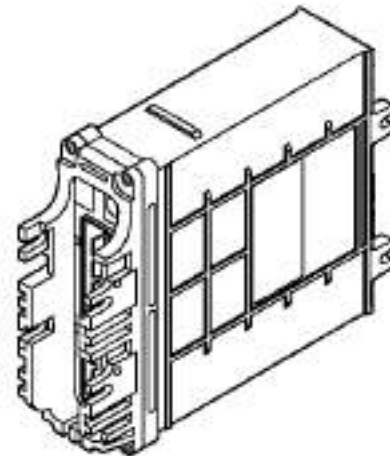
VKF Incidence factor

ID Identification (output code)

Material number: 4182.070.398 ECOMAT 4 /
Plant: 004.a9.01-1 6 HP 504 C
Material-assembly-group-no: 4182.004.585



Material number: 4182.070.398 ECOMAT 4 /
Plant: 004.c1.08-1 EST 146
Material-assembly-group-no: 6009.090.797





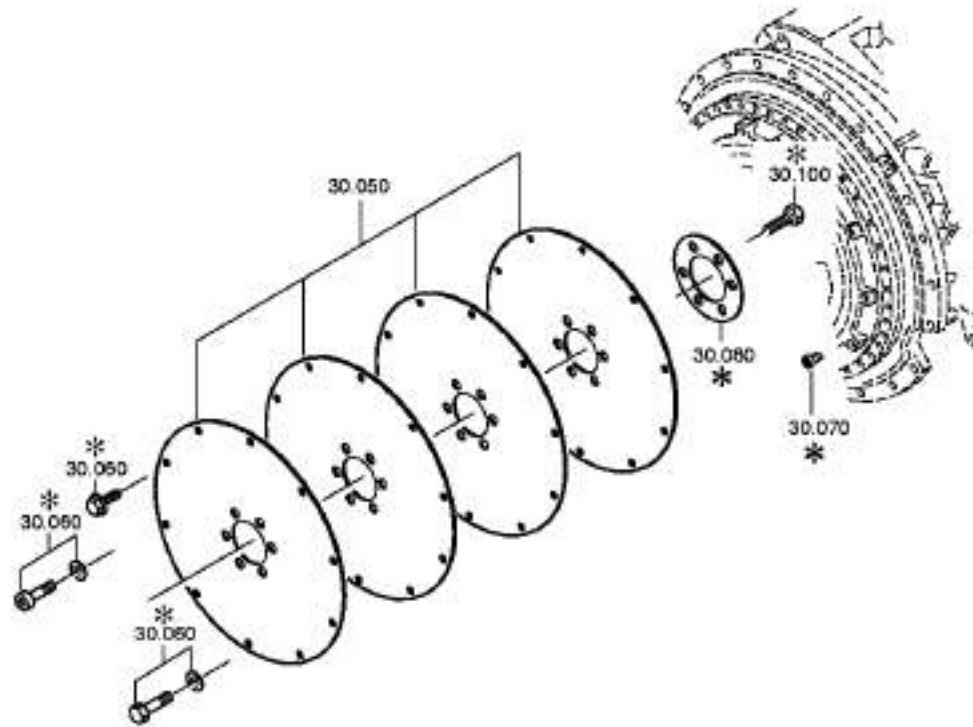
Pos.	Material number	Name	VKF	Amend. no.	Amend. start	Prod. no.	Material feature / tech. info.	OTK	External material no.	ID	Weight	SP
70	6009.197.015	PACKING	1		00.00.0000		EST 146			3	0,000	
/50	0700.300.426	PACKING	1	C0100850 6E10	00.00.0000	00.00.0000	PE-NOPPEN ESD 300X280			5	0,000	
/60	6009.302.433	PLATE	1		00.00.0000					5	0,000	
110	6009.390.001	CONTROL UNIT	1		00.00.0000		HARDWARE EST 146			5	0,000	
150	0666.692.073	TYPE PLATE	35		00.00.0000					5	0,000	
154	0666.692.073	TYPE PLATE	35		00.00.0000					5	0,000	

VKF Incidence factor

OTK Optional technical kit

ID Identification (output code)

SP Supplier plant





Pos.	Material number	Name	VKF	Amend. no.	Amend. start	Prod. no.	Material feature / tech. info.	OTK	External material no.	ID	Weight	SP
50	4139.330.409	DIAPHRAGM	4		00.00.0000		ENTHALT.IN 4139 330 305(0)			5	0,490	
60	---	HEXAGON BOLT	10		00.00.0000		M12X1,5X35		1148186	3	0,000	
---	0636.021.009	HEXAGON BOLT	10		00.00.0000		M12X1,5X35		1355539	5	0,000	
---	0630.100.284	WASHER	10	Z0000715 8212	31.12.2010	31.12.2010				5	0,000	
70	---	CAP SCREW	2		00.00.0000		M8X16			3	0,000	
---	0636.104.152	CAP SCREW	2		00.00.0000		M8X16			5	0,000	

VKF Incidence factor

OTK Optional technical kit

ID Identification (output code)

SP Supplier plant



Pos.	Material number	Name	VKF	Amend. no.	Amend. start	Prod. no.	Material feature / tech. info.	OTK	External material no.	ID	Weight	SP
110	6006.017.192	FS ELEK	1		00.00.0000		EST-18 D8 HZ DNR*K. BLENDE		216420	1	0,228	
/300	0501.310.875	CAP	1		00.00.0000		R IN 0501 310 870(2)			5	0,000	
/304	0501.310.874	CAP	1		00.00.0000		N IN 0501 310 870(2)			5	0,000	
/308	0501.310.876	CAP	1		00.00.0000		D IN 0501 310 870(2)			5	0,000	
130	6029.049.068	KABEL ECOMAT 4	1		00.00.0000		EST146*PUR *W *END*ZK			1	0,000	
234	6029.005.036	CABLE NAT	1		00.00.0000		ABTR.G. 12,3M DINBAYO WINK			1	1,024	
360	6029.199.110	PLUG KIT	1		00.00.0000		STECKER 6POL JPT ST		6029199110	3	0,000	
364	6029.199.098	PLUG KIT	1		00.00.0000		STECKER 22POL ST JPT		6029199098	3	0,000	
366	6029.199.089	PLUG KIT	1		00.00.0000		STECKER 10POL ST JPT			3	0,000	
710	0501.207.847	PRESSURE SWITCH	1		00.00.0000		KPL.0,55BAR*SCHL		5 6118 0	5	0,000	
714	6029.205.566	CABLE GENERAL	1		00.00.0000		12,00M O.AMP			1	0,000	
820	6041.312.019	RELAIS	4		00.00.0000		10/20A		1863700251	5	0,000	
822	6041.313.005	SOCKET	4		00.00.0000					5	0,000	

VKF Incidence factor

OTK Optional technical kit

ID Identification (output code)

SP Supplier plant



Pos.	Information	Amendment number
001	Use case -----	
002	Customer Xiamen King Long Automotive Industry Co.	
003	City XIAMEN. P.R.CHINA 361012	
004	DUNS 65-419-3812	
005	Product description -----	
006	SAUBERKEIT SKALENZAHL 1 20	
007	CLEANNES SCALE NUMBER 2 14	
008	CLEANNES SPECIFICATION ZFN 5015	
009	AUSFUEHRUNG SCHALTSTEUERUNG WITH DRWK	
010	TRANSMISSION ATTACHMENT FLANGE-MOUNTED	
011	NUMBER OF TYPE PLATES 2	
012	LAGEPOSITION 1.BAUMUSTERSCHILD A	
013	LAGEPOSITION 2.BAUMUSTERSCHILD D	
014	RATIO, BOTTOM GEAR 3.43	
015	RATIO, TOP GEAR .59	
016	RATIO, 1ST GEAR 3.43	
017	RATIO, 2ND GEAR 2.01	
018	RATIO, 3RD GEAR 1.42	
019	RATIO, 4TH GEAR 1	
020	RATIO, 5TH GEAR .83	
021	RATIO, 6TH GEAR .59	
022	RATIO, 1ST GEAR REVERSE 4.84	
023	DESIGN, SHIFT SYSTEM NBS	
024	HAUPTDRUCK WK GEOEFFNET 18 bar	
025	HAUPTDRUCK WK GESCHLOSSEN 10 bar	
026	DESIGN, OUTPUT COAXIAL	
031	ZAEHNEZAHL ZAEHLSCHIEBE ABTR 30	
032	UEBERSETZUNG N ABTR/N IMPULS 1	
033	OUTER DIA. OUTPUT FLANGE RA 165 mm	
034	NO.OF SCREWS OUTPUT FLANGE RA 8	
035	NO.OF BORES OUTPUT FLANGE HA1 8	
036	BORE DIA. OUTPUT FLANGE RA 16.5 mm	



Pos.	Information	Amendment number
037	DIA. THREAD OUTPUT FL. SCR. RA M16	
039	THREAD PITCH OUTPUT FL SCR. RA 1.5 mm	
041	THREAD LENGTH OUTP.FL SCREW RA 45 mm	
042	AUSF RETARDERANSTEUERUNG ELECTRICAL	
043	BREMSMOMENT MAX 1300 Nm	
044	ABTR.DREHZAHL BEI MAX BREMSMOM 1900 1/min	
045	ATTACHM.POS.HEAT EXCHANGER AT REAR	
047	DESIGN, ADDITIONAL COOLER WITH SC	
048	DESIGN, OIL SUMP DEEP	
050	CODIERUNG OELEINFUELLROHR K01	
051	HOEHE OELEINFUELLROHR 192 mm	
053	DESIGN CONVERTER W360	
054	WANDLERKENNUNG TPC 262 Nm	
055	DREHZAHL WANDLERPUM.BEI M MAX 1000 1/min	
056	CONVERTER CHARACTERISTIC μ 2.4	
057	SCHALTMOMENT WANDLERKUPPL MAX 1000 Nm	
058	DICKE TELLERFEDER WANDLER 4 mm	
059	EINSTELLMASS MOTORANSCHLUSS 71.25 mm	
060	D-LOCHKREIS WANDLERMEMBRANE 380 mm	
061	OPERATING VOLTAGE 24 V	
062	ANZAHL POLE BETRIEBSSPANNUNG 2	
063	NO PULSES PULSE SENSOR TM H70 6 IMP/U	
064	VER. PULSE SENSOR TRANSM. H70 WITH	
065	PROT. CAP PULSE SENSOR TM H70 n	
068	OIL FILL VARIANT EX WORKS	
069	OELMENGE GETR O.TYPSCHILDAUFDR 30 dm3	
070	OIL GRADE PERMISSIBLE ACC. TO TE-ML14	
071	COLOR NOT	
074	CODING OUTER CONSERVATION KA1	
075	SCOPE OUTER CONSERVATION T	
076	CODING INNER CONSERVATION KI1	
077	CONSERVATION SPECIFICATION ZFN 916	



Pos.	Information	Amendment number
078	Documents -----	
079	ANSCHLUSSTEILE Drawing 4139.000.101	
080	GETRIEBE Drawing 4149.003.108	
081	ABTRIEB Drawing 4149.103.010	
082	Drawing 4182.106.101	
083	OELVERSORGUNG Assembly 4149.110.008	
084	OELVERSORGUNG Drawing 4149.110.008	
085	AUTOMATIC TRANSMISSION Drawing 4182.602.028	
086	TABLE Text-document 4182.700.002	
087	4139.070.605 Drawing 4139.070.605	



Graphics	Pos.	Material number	Name	VKF	Amend. no.	Amend. start	Prod. no.	Material feature / tech. info.	ID
004.01.09-1	110	4182.101.004	GEARBOX HOUSING	1		00.00.0000		SON.MAN*ZK*SCHILD A+D*O.NA	3
004.01.09-1	140	4182.101.013	CLOSING COMPONENTS	1		00.00.0000		ECOMAT4 MIT ZK*EDELSTAHL	3
004.04.25-1	210	4149.110.005	COVER PLATE	1		00.00.0000		NA-OHNE*RETARDER*ECO 2PLUS	3
004.04.25-1	214	4182.110.801	OIL SUPPLY	1		00.00.0000		ECOMAT 4	3
004.04.25-1	900	4182.110.003	OIL SUPPLY	1		00.00.0000		HP504*O.NA*ECO 4 *LECKAGEOPTIMIERT/	3
004.07.07-1	220	4139.120.011	RETARDER	1		00.00.0000		GD	3
004.07.07-1	230	4182.120.402	RETARDER VALVE	1		00.00.0000		DIN-BAJ*DRWK	3
004.07.07-1	236	4149.120.800	RETARDER	1		00.00.0000		RET.ABGLEICH	3
004.07.07-1	910	4149.120.003	RETARDER	1		00.00.0000		LECKAGEOPTIMIERT	3
004.10.02-1	900	4149.133.011	GEARBOX	1		00.00.0000		5HP500*3,43-0,83 *ECOMAT 2PLUS	3
004.13.04-1	910	4149.170.017	COUPLING	1		00.00.0000		6HP502 A12*B 8*C 6*TWD=31,3*ECOMAT 2PLUS	3
004.14.02-1	920	4149.171.006	BRAKE	1		00.00.0000		HP502 *D 6	3
004.15.04-1	930	4149.172.018	BRAKE	1		00.00.0000		HP502*ECOMAT 2PLUS*E12	3
004.16.09-1	940	4149.173.025	BRAKE	1		00.00.0000		ECOMAT 2PLUS F14*O.NBS *M.N.HUELSE	3
004.20.49-1	300	4149.103.293	OUTPUT	1		00.00.0000		HP502*3,43*ECO 2PLUS *AD=165*8XM16X1,5X45*E-TACHO	3
004.20.49-1	310	4139.103.874	OUTPUT	1		00.00.0000		HP500KU*WT HINTEN *SPEICHER	3
004.48.13-1	400	4182.106.100	SHIFT CONTROL	1		00.00.0000		HP504KU*ECO 4*0,9*1,1-4,6 *ENTL.VENT*NTC*DRWK	3
004.48.13-1	410	4182.106.800	SHIFT CONTROL	1		00.00.0000		DRWK	3
004.56.07-1	450	4139.131.050	DIPSTICK PARTS	1		00.00.0000		K01*TIEF*4-7GRAD L*ENTL	3
004.56.07-1	460	4149.131.002	OIL SUMP	1		00.00.0000		TIEF*ENTLEER-V.	3
004.56.07-1	470	4139.131.101	FILTER	1		00.00.0000			3
004.56.07-1	478	4149.131.803	PLATE	1		00.00.0000		OELBEF.ECOFLUID-APLUS*ZK	3
004.59.08-1	480	4149.134.198	CONVERTER	1		00.00.0000		W360*TPC262*MUE2,40*TF4,00*A=71,25*L ₅ K=380*4166	3
004.59.08-1	488	4139.134.803	CONVERTER	1		00.00.0000		360*A= 71,25	3

VKF Incidence factor

ID Identification (output code)



Graphics	Pos.	Material number	Name	VKF	Amend. no.	Amend. start	Prod. no.	Material feature / tech. info.	ID
004.90.34-1	550	4149.147.017	HEAT EXCHANGER	1		00.00.0000		KU*HINTEN*SPEICHER*24V *ALU*D=50*TG-ANSCHL*DIN-BAJ.	3

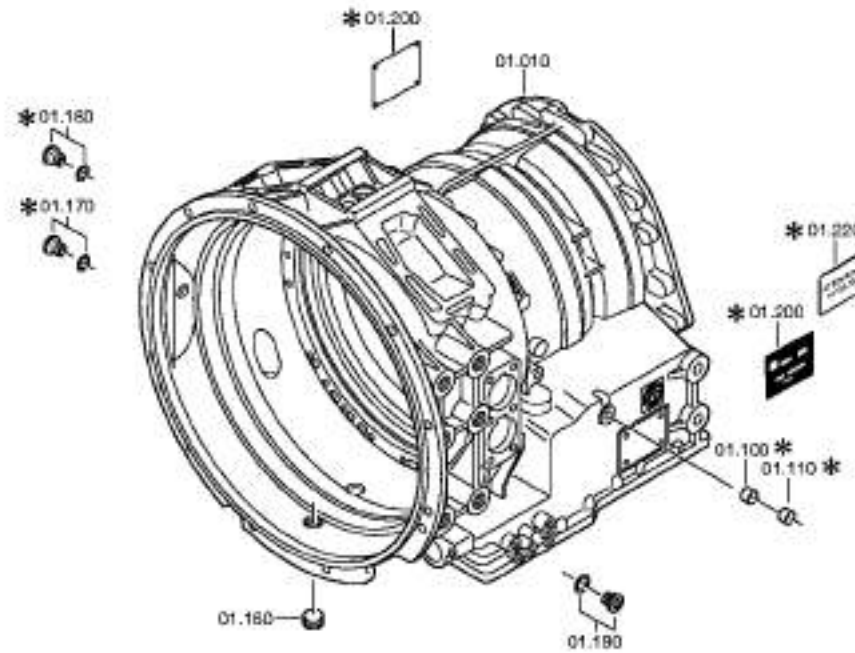
VKF Incidence factor

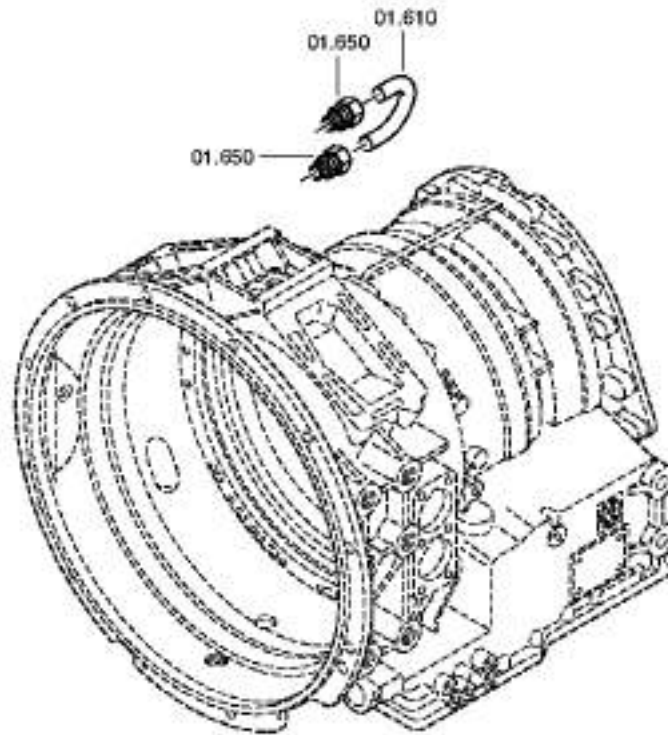
ID Identification (output code)



Bildtafel:
Figure: 004.01.09
Figure:
Figura:

je nach Stücklistenausführung
depending on spec. number
* suivant la nomenclature
secondo la distinta base







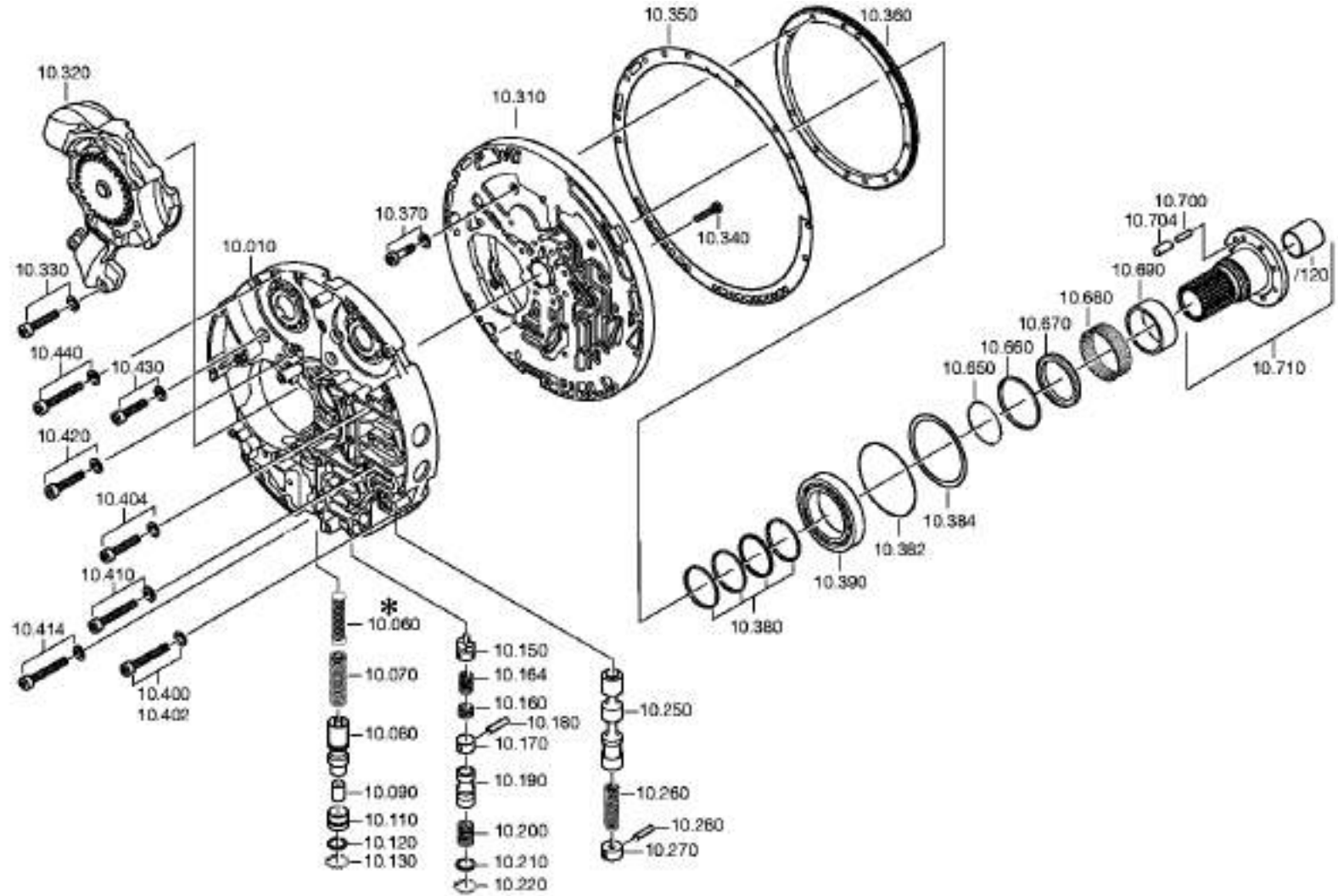
Pos.	Material number	Name	VKF	Amend. no.	Amend. start	Prod. no.	Material feature / tech. info.	OTK	External material no.	ID	Weight	SP
10	4182.201.004	GEARBOX HOUSING	1		00.00.0000		KPL.ERZ.SO.MAN*OHNE NBS			3	0,000	
160	---	SCREW PLUG	1		00.00.0000		60N.M*O.DICHTRING M30X1,5			3	0,000	
---	0636.301.054	SCREW PLUG	1		00.00.0000		M30X1,5			5	0,000	
190	0501.326.079	SCREW PLUG	5	Z0000189 9810	26.08.2009	26.08.2009	M10X1			5	0,000	
200	---	TYPE PLATE	2		00.00.0000					3	0,000	
---	0730.365.241	TYPE PLATE	2		00.00.0000		EINHEITSSCH. VERDREHSICHER			5	0,000	
---	0730.365.217	TYPE PLATE	2	C0100717 4B10	00.00.0000	00.00.0000	ZF DRIVETECH JAPAN			5	0,000	
---	0730.365.242	TYPE PLATE	2	C0100260 5D10	00.00.0000	00.00.0000	ZF DO BRASIL LTDA.			5	0,000	
610	4182.310.025	PIPE	1		00.00.0000		KURZSCHLUSSROHR ZK EDELSTA			5	0,000	
650	---	PIPE UNION	2		00.00.0000		EDELSTAHL M26X1,5			3	0,000	
---	0637.885.970	PIPE UNION	2		00.00.0000					5	0,000	

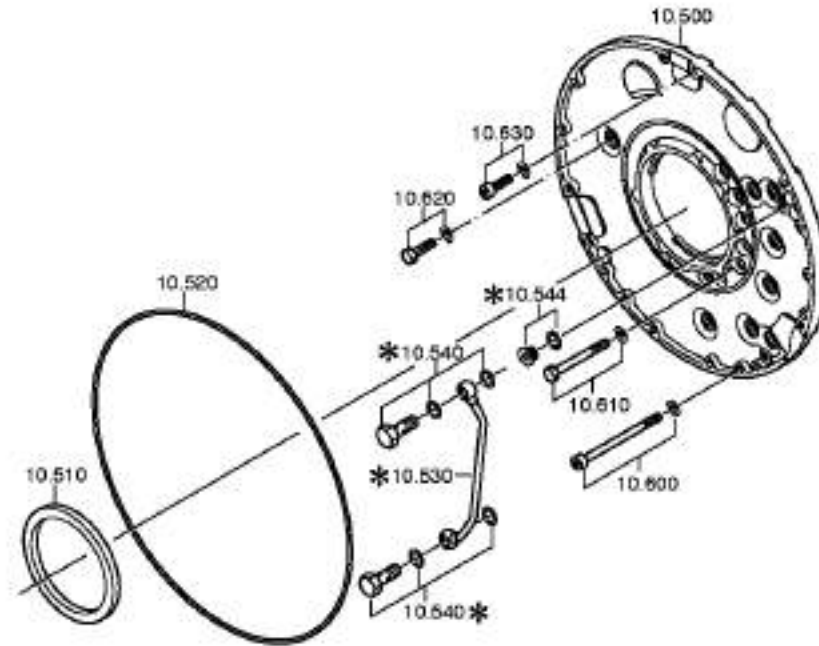
VKF Incidence factor

OTK Optional technical kit

ID Identification (output code)

SP Supplier plant







Pos.	Material number	Name	VKF	Amend. no.	Amend. start	Prod. no.	Material feature / tech. info.	OTK	External material no.	ID	Weight	SP
10	4182.210.005	CONTROL INSERT	1		00.00.0000		KPL.PUMPE LECKAGEOPTIMIERT			3	0,000	
70	0732.042.780	COMPRSPRING	1		00.00.0000					5	0,000	
80	4149.310.063	PISTON	1		00.00.0000		HAUPTDRUCK*WK ZU* ERHOEHT			5	0,000	
90	4149.310.062	PISTON	1		00.00.0000		HAUPTDRUCK*WK ZU* ERHOEHT			5	0,000	
110	4149.310.064	BUSH	1		00.00.0000		HAUPTDRUCK*WK ZU* ERHOEHT			5	0,000	
120	0730.004.383	WASHER	1		00.00.0000		A=1,50		5005 16408	5	0,000	
130	0630.502.015	RETAINING RING	1		00.00.0000		30X1,2		1000000213	5	1,600	
150	4139.310.041	PISTON	1		00.00.0000		SCHMIERDRUCKVENTIL		5006393	5	0,000	
160	0732.041.125	COMPRSPRING	1		00.00.0000				5006394	5	0,000	
164	0732.042.966	COMPRSPRING	1		00.00.0000					5	0,000	
170	4139.310.018	SPACER RING	1		00.00.0000		ENTHALT.IN 4139 310 462(2)		5006395	5	0,000	
180	0631.306.117	CYLINDRICAL PIN	1		00.00.0000		8X50		4107323A	5	19	
190	4139.310.072	PISTON	1		00.00.0000		WANDLERGEGENDRUCKVENTIL		5006397	5	0,000	
200	0732.041.102	COMPRSPRING	1		00.00.0000				35112100	5	25	
210	0630.007.001	WASHER	1		00.00.0000					5	0,000	
220	0630.502.014	RETAINING RING	1		00.00.0000		28X1,2		SA 8320-01770	5	0,002	
250	4149.310.025	PISTON	1		00.00.0000					5	0,000	
260	0732.042.236	COMPRSPRING	1		00.00.0000					5	0,000	
270	4139.310.017	SPACER RING	1		00.00.0000				5006402	5	0,000	
280	0631.306.117	CYLINDRICAL PIN	1		00.00.0000		8X50		4107323A	5	19	
310	4182.210.003	OIL FEEDFLANGE	1		00.00.0000		KPL.STAHLBUCHSE+SI-RING			3	0,000	
320	4182.210.004	PRIMARY PUMP	1		00.00.0000		KPL.ECO 4 * LECKAGEOPTIMIERT			3	0,000	
330	---	CAP SCREW	2		00.00.0000		M8X35			3	0,000	
---	0636.101.356	CAP SCREW	2		00.00.0000		M8X35			5	18	
340	---	TORX SCREW	7		00.00.0000		M8X43			3	0,000	

VKF Incidence factor

OTK Optional technical kit

ID Identification (output code)

SP Supplier plant



Pos.	Material number	Name	VKF	Amend. no.	Amend. start	Prod. no.	Material feature / tech. info.	OTK	External material no.	ID	Weight	SP
---	0736.617.075	TORX SCREW	7		00.00.0000		M8X43 IN 0736 617 056(2)			5	0,000	
350	4182.310.004	INTERMEDIATE SHEET	1		00.00.0000					5	0,000	
360	4182.320.001	THRUST RING	1		00.00.0000					5	0,000	
370	---	CAP SCREW	3		00.00.0000		M8X12			3	0,000	
---	0636.102.207	CAP SCREW	3		00.00.0000		M8X12		5305123585942	5	0,000	
---	0630.003.006	WASHER	3		00.00.0000				1000000179	5	1,200	
380	0734.401.251	PISTON RING	4		00.00.0000		65,1X70,0X3,5			5	0,000	
382	0730.300.716	WASHER	1	Z0000950 9110	05.10.2010	05.10.2010	A=1,65 A=1,65			5	0,000	
384	0634.314.358	O-RING	1		00.00.0000		125X3			5	0,050	
390	0750.116.391	BALL BEARING	1		00.00.0000		80,0X125,0X22,0			3	0,000	
400	---	CAP SCREW	3		00.00.0000		M8X55			3	0,000	
---	0636.101.602	CAP SCREW	3		00.00.0000		M8X55		SA 8320-03780	5	25	
---	0630.003.006	WASHER	3		00.00.0000				1000000179	5	1,200	
402	---	CAP SCREW	1		00.00.0000		M8X50			3	0,000	
---	0636.101.663	CAP SCREW	1		00.00.0000		M8X50		8900120482	5	22,700	
---	0630.003.006	WASHER	1		00.00.0000				1000000179	5	1,200	
404	---	CAP SCREW	1		00.00.0000		M8X55			3	0,000	
---	0636.101.602	CAP SCREW	1		00.00.0000		M8X55		SA 8320-03780	5	25	
---	0630.003.006	WASHER	1		00.00.0000				1000000179	5	1,200	
410	---	CAP SCREW	3		00.00.0000		M8X70			3	0,000	
---	0636.101.720	CAP SCREW	3		00.00.0000		M8X70		190003862471	5	0,030	
---	0630.003.006	WASHER	3		00.00.0000				1000000179	5	1,200	
414	---	CAP SCREW	1		00.00.0000		M8X70			3	0,000	
---	0636.101.720	CAP SCREW	1		00.00.0000		M8X70		190003862471	5	0,030	
---	0630.003.006	WASHER	1		00.00.0000				1000000179	5	1,200	
420	---	CAP SCREW	3		00.00.0000		M8X40			3	0,000	
---	0636.101.694	CAP SCREW	3		00.00.0000		M8X40			5	0,000	
---	0630.003.006	WASHER	3		00.00.0000				1000000179	5	1,200	

VKF Incidence factor

OTK Optional technical kit

ID Identification (output code)

SP Supplier plant



Pos.	Material number	Name	VKF	Amend. no.	Amend. start	Prod. no.	Material feature / tech. info.	OTK	External material no.	ID	Weight	SP
430	---	CAP SCREW	3	Z0000729 4713	31.12.2010	31.12.2010	M8X45			3	0,000	
---	0636.115.292	CAP SCREW	3	Z0000729 4714	21.09.2010	21.09.2010	M8X45			5	0,000	
---	0630.003.006	WASHER	3	Z0000729 4714	21.09.2010	21.09.2010			1000000179	5	1,200	
440	---	CAP SCREW	5		00.00.0000		M8X65			3	0,000	
---	0636.101.709	CAP SCREW	5		00.00.0000		M8X65			5	0,020	
---	0630.003.006	WASHER	5		00.00.0000				1000000179	5	1,200	
500	4149.310.283	COVER PLATE	1	Z0000784 9310	22.04.2010	22.04.2010				5	0,000	
510	---	SHAFT SEAL	1		00.00.0000		125X150X10			3	0,000	
---	0750.111.044	SHAFT SEAL	1	C0100795 6D10	00.00.0000	00.00.0000	125X150X10		5004437	3	0,000	
520	0634.313.146	O-RING	1		00.00.0000		425X3,5		500480408	5	0,000	
530	4149.210.005	PIPE	1		00.00.0000		KPL.			3	0,000	
540	---	UNION SCREW	2		00.00.0000		6S			3	0,000	
---	0637.835.021	UNION SCREW	2	C0100332 4F10	00.00.0000	00.00.0000			5006148	5	0,000	
---	0634.801.015	SEALING RING	2		00.00.0000		10X14		VOE3104044	5	0,001	
600	---	CAP SCREW	13		00.00.0000		M8X130			3	0,000	
---	0636.115.159	CAP SCREW	13		00.00.0000		M8X130			5	0,000	
---	0634.803.003	SEALING RING	13		00.00.0000		8X15X1		5004806	5	0,000	
610	---	HEXAGON BOLT	9	Z0000706 9012	01.01.2012	01.01.2012	M8X85			3	0,000	
---	0636.011.764	HEXAGON BOLT	9	Z0000706 9013	09.07.2010	09.07.2010	M8X85			5	0,000	
---	0634.803.003	SEALING RING	9	Z0000706 9013	09.07.2010	09.07.2010	8X15X1		5004806	5	0,000	
620	---	HEXAGON BOLT	7	Z0000789 1119	31.12.2010	31.12.2010	M8X20			3	0,000	

VKF Incidence factor

OTK Optional technical kit

ID Identification (output code)

SP Supplier plant



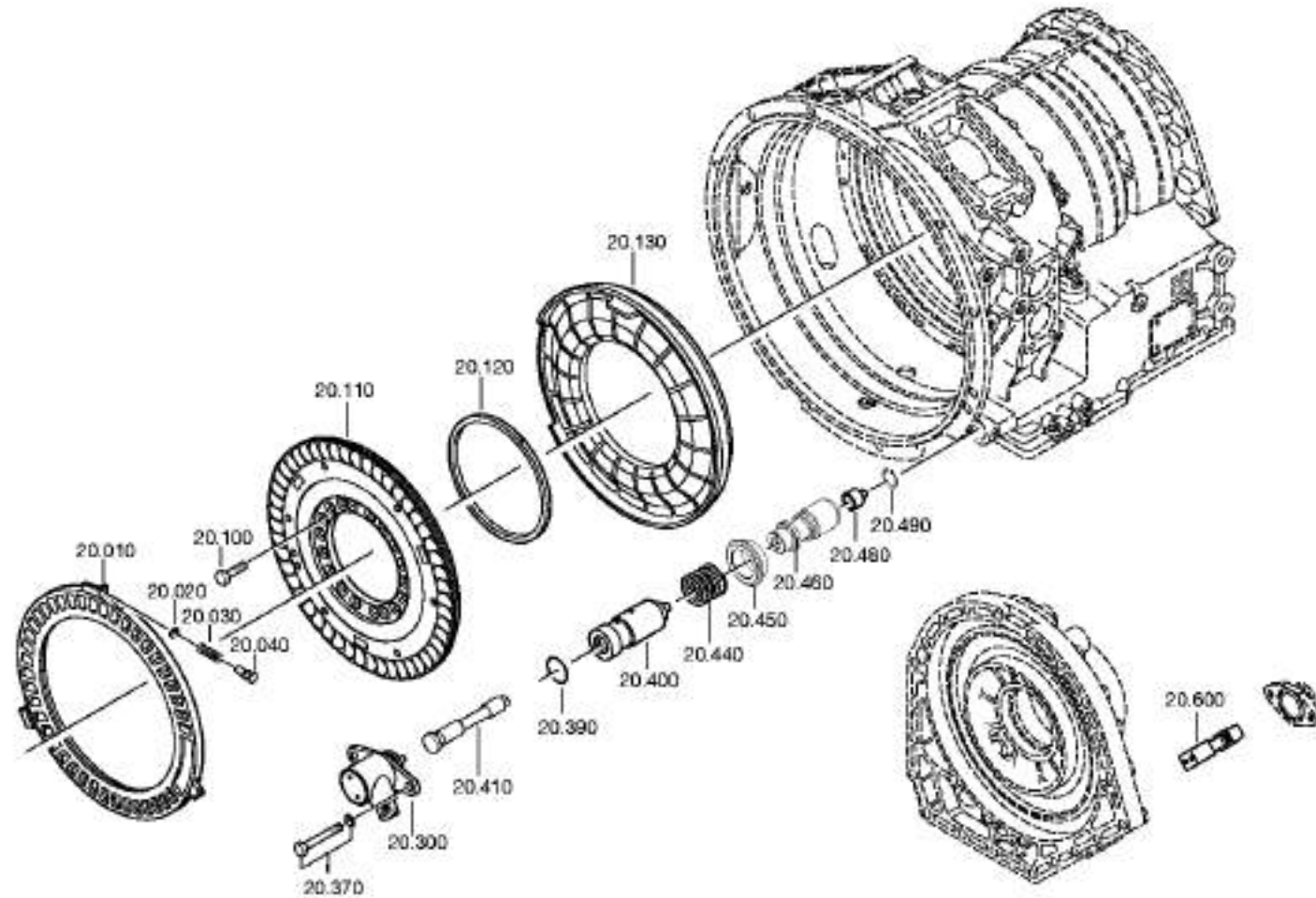
Pos.	Material number	Name	VKF	Amend. no.	Amend. start	Prod. no.	Material feature / tech. info.	OTK	External material no.	ID	Weight	SP
---	0636.100.796	HEXAGON BOLT	7	Z0000789 1120	08.09.2010	08.09.2010	M8X20			5	0,000	
---	0634.803.003	SEALING RING	7	Z0000789 1120	08.09.2010	08.09.2010	8X15X1		5004806	5	0,000	
630	---	CAP SCREW	1		00.00.0000		M8X35			3	0,000	
---	0636.101.356	CAP SCREW	1		00.00.0000		M8X35			5	18	
---	0634.803.003	SEALING RING	1		00.00.0000		8X15X1		5004806	5	0,000	
650	0630.513.133	SNAP RING	1		00.00.0000				VOE6633266	5	8,900	
660	0734.401.080	PISTON RING	1		00.00.0000				5006154	5	0,000	
670	4128.303.012	PISTON SUPPORT	1		00.00.0000				5006155	5	0,000	
680	0750.115.517	NEEDLE CAGE	1		00.00.0000		80,0X88,0X30,0			3	0,000	
690	0635.295.034	INNER RING	1		00.00.0000		70X80X30		5006157	5	0,000	
700	0631.329.320	SLOTPIN	1		00.00.0000		16X35			5	0,000	
704	0631.329.319	SLOTPIN	1		00.00.0000		10X35			5	0,000	
710	4149.210.026	STATOR SHAFT	1		00.00.0000		KPL.LECKAGEOPTIMIERT			3	0,000	
/120	4139.210.082	BUSH	1		00.00.0000		KPL.		5710224	3	0,000	

VKF Incidence factor

OTK Optional technical kit

ID Identification (output code)

SP Supplier plant





Pos.	Material number	Name	VKF	Amend. no.	Amend. start	Prod. no.	Material feature / tech. info.	OTK	External material no.	ID	Weight	SP
10	4139.320.085	STATOR RING	1		00.00.0000				2	5	1,700	
20	4139.320.009	SPRING SEAT	3		00.00.0000				8900127031	5	7	
30	0732.041.934	COMPRSPRING	3		00.00.0000				5006 18408	5	0,000	
40	4149.220.001	ABSORBER	3	C0100924 7C10	00.00.0000	00.00.0000	KPL.			3	0,000	
100	0636.010.300	HEXAGON BOLT	18		00.00.0000		M8X40			5	0,000	
110	4139.320.084	ROTOR	1	C0100898 0B10	00.00.0000	00.00.0000				5	0,000	
120	0734.401.277	PISTON RING	1		00.00.0000		197,6X210,0X7,0			5	0,000	
130	4149.320.033	SEALING WASHER	1	C0100530 7F10	00.00.0000	00.00.0000				5	0,000	
300	0501.316.525	SOLENOID	1		00.00.0000					5	0,000	
370	---	HEXAGON BOLT	2	Z0000705 7715	01.01.2012	01.01.2012	M8X22			3	0,000	
---	0636.016.412	HEXAGON BOLT	2	Z0000705 7719	06.07.2010	06.07.2010	M8X22			5	0,000	
---	0630.100.295	WASHER	2	Z0000715 8415	31.12.2010	31.12.2010				5	0,000	
390	0634.313.017	O-RING	1		00.00.0000		27X3			5	0,002	
400	4182.320.004	BUSH	1		00.00.0000		DRWK, RR3			5	0,000	
410	4182.320.002	PISTON	1		00.00.0000		DRWK, RR3			5	0,000	
440	1204.318.011	COMPRSPRING	1		00.00.0000					5	0,010	
450	4182.320.005	BUSH	1		00.00.0000		DRWK, R3			5	0,000	
460	4182.320.003	PISTON	1		00.00.0000		DRWK, R3			5	0,000	
480	4149.320.024	PISTON	1		00.00.0000		G2.1			5	0,000	
490	0630.502.006	RETAINING RING	1		00.00.0000		19X1		770780055	5	0,007	
600	---	RESISTOR	1		00.00.0000		K= 1,96-150,00			3	0,000	
---	6029.201.652	RESISTOR	1		00.00.0000		KPL.RET.ABGLEICH 150,00K			3	0,000	
---	6029.201.651	RESISTOR	1		00.00.0000		KPL.RET.ABGLEICH 100,00K			3	0,000	
---	6029.201.650	RESISTOR	1		00.00.0000		KPL.RET.ABGLEICH 75,00K			3	0,000	
---	6029.201.649	RESISTOR	1		00.00.0000		KPL.RET.ABGLEICH 57,60K			3	0,000	

VKF Incidence factor

OTK Optional technical kit

ID Identification (output code)

SP Supplier plant



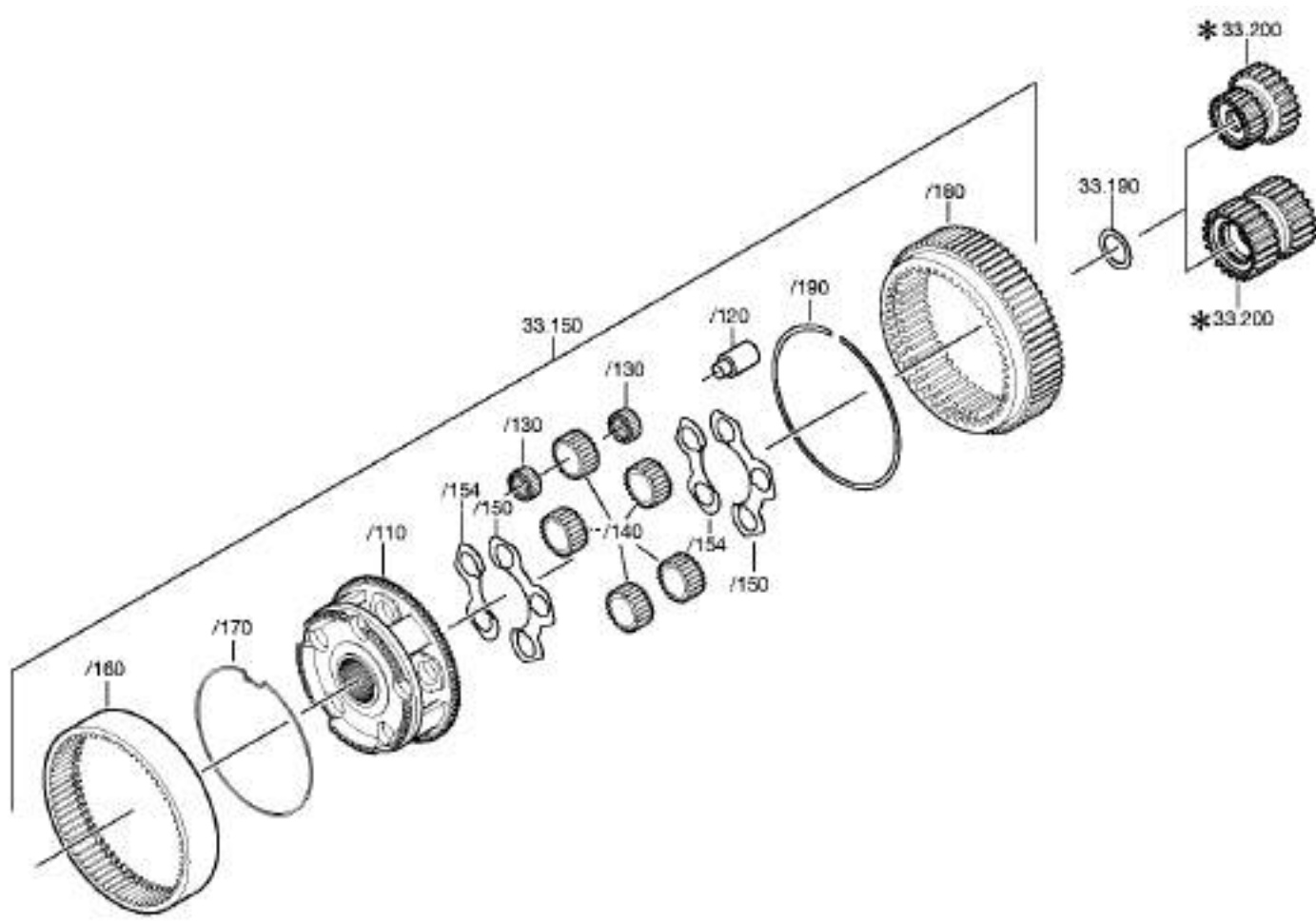
Pos.	Material number	Name	VKF	Amend. no.	Amend. start	Prod. no.	Material feature / tech. info.	OTK	External material no.	ID	Weight	SP
---	6029.201.648	RESISTOR	1		00.00.0000		KPL.RET.ABGLEICH 46,40K			3	0,000	
---	6029.201.647	RESISTOR	1		00.00.0000		KPL.RET.ABGLEICH 37,40K			3	0,000	
---	6029.201.646	RESISTOR	1		00.00.0000		KPL.RET.ABGLEICH 31,60K			3	0,000	
---	6029.201.645	RESISTOR	1		00.00.0000		KPL.RET.ABGLEICH 26,10K			3	0,000	
---	6029.201.644	RESISTOR	1		00.00.0000		KPL.RET.ABGLEICH 22,10K			3	0,000	
---	6029.201.643	RESISTOR	1		00.00.0000		KPL.RET.ABGLEICH 18,70K			3	0,000	
---	6029.201.642	RESISTOR	1		00.00.0000		KPL.RET.ABGLEICH 15,80K			3	0,000	
---	6029.201.641	RESISTOR	1		00.00.0000		KPL.RET.ABGLEICH 13,30K			3	0,000	
---	6029.201.640	RESISTOR	1		00.00.0000		KPL.RET.ABGLEICH 11,30K			3	0,000	
---	6029.201.639	RESISTOR	1		00.00.0000		KPL.RET.ABGLEICH 9,31K			3	0,000	
---	6029.201.638	RESISTOR	1		00.00.0000		KPL.RET.ABGLEICH 7,68K			3	0,000	
---	6029.201.637	RESISTOR	1		00.00.0000		KPL.RET.ABGLEICH 6,34K			3	0,000	
---	6029.201.636	RESISTOR	1		00.00.0000		KPL.RET.ABGLEICH 5,11K			3	0,000	
---	6029.201.635	RESISTOR	1		00.00.0000		KPL.RET.ABGLEICH 3,92K			3	0,000	
---	6029.201.634	RESISTOR	1		00.00.0000		KPL.RET.ABGLEICH 2,94K			3	0,000	
---	6029.201.633	RESISTOR	1		00.00.0000		KPL.RET.ABGLEICH 1,96K			3	0,000	

VKF Incidence factor

OTK Optional technical kit

ID Identification (output code)

SP Supplier plant





Pos.	Material number	Name	VKF	Amend. no.	Amend. start	Prod. no.	Material feature / tech. info.	OTK	External material no.	ID	Weight	SP
10	4139.233.229	INPUT SHAFT	1		00.00.0000		KPL. IN 4139 233 100(1)			3	0,000	
20	0750.115.518	NEEDLE SLEEVE	1		00.00.0000		18,0X24,0X16,0			3	0,000	
30	0730.150.625	THRUST WASHER	1		00.00.0000		A=1,00 IN 0730 150 624(2)		5006 22408	5	0,000	
40	4139.233.126	QUILL SHAFT	1		00.00.0000		KPL.		5004463	3	0,000	
50	0750.115.520	NEEDLE CAGE	2		00.00.0000		42,0X46,0X13,0		8 8334 0	3	0,000	
60	0730.150.638	THRUST WASHER	1		00.00.0000		A=1,00 IN 0730 150 624(2)			5	0,000	
70	0735.320.782	NEEDLE CAGE	2		00.00.0000		55,0X59,0X13,0 FA.INA		500515808	5	0,000	
74	0730.150.630	THRUST WASHER	1		00.00.0000		A=2,50 IN 0730 150 624(2)		500623408	5	0,000	
80	4139.233.189	DISC CARRIER	1		00.00.0000		KPL.			3	0,000	
/110	4139.333.019	DISC CARRIER	1		00.00.0000		INNEN		5006237	5	0,000	
/120	4149.333.389	SUN GEAR	1	Z0000578 0110	09.04.2010	09.04.2010				5	0,000	
/130	0630.513.021	SNAP RING	1		00.00.0000				8900126793	5	0,009	
/140	0630.513.080	SNAP RING	1		00.00.0000				1000005717	5	8,600	
90	0730.150.637	THRUST WASHER	1		00.00.0000		A=1,00 IN 0730 150 624(2)			5	0,000	
100	4139.233.207	PLANETARY DRIVE	1		00.00.0000		KPL. I*HP500			3	0,000	
/110	4149.333.034	PLANET CARRIER	1	C0100434 8F10	00.00.0000	00.00.0000	HP500			5	0,000	
/120	4139.333.088	BEARING PIN	5		00.00.0000				5006250	5	0,000	
/130	---	NEEDLE CAGE	5		00.00.0000					3	0,000	
---	0735.320.481	NEEDLE CAGE	5		00.00.0000		25,0X35,0X25,0 FA.INA		5006252	5	0,000	
---	0735.321.462	NEEDLE CAGE	5		00.00.0000		25,0X35,0X24,8 FA.NTN			5	0,000	
/140	---	PLANET GEAR SET	1	C0100746 3D10	00.00.0000	00.00.0000				3	0,000	
---	4149.233.015	PLANET GEAR SET	1		00.00.0000		KPL.BORUNGSHONEN			3	0,000	
---	4139.233.315	PLANET GEAR SET	1		00.00.0000		KPL.			3	0,000	
/150	0501.305.970	THRUST PLATE	10		00.00.0000				5006251	5	0,000	
/160	4139.333.894	RING GEAR	1		00.00.0000		Z78			5	0,000	
/170	0730.503.079	RETAINING RING	1		00.00.0000		ENTHALT.IN 0730 513 337(2)		5006254	5	0,000	
110	0730.150.636	THRUST WASHER	1		00.00.0000		A=1,00 IN 0730 150 624(2)			5	0,000	

VKF Incidence factor

OTK Optional technical kit

ID Identification (output code)

SP Supplier plant



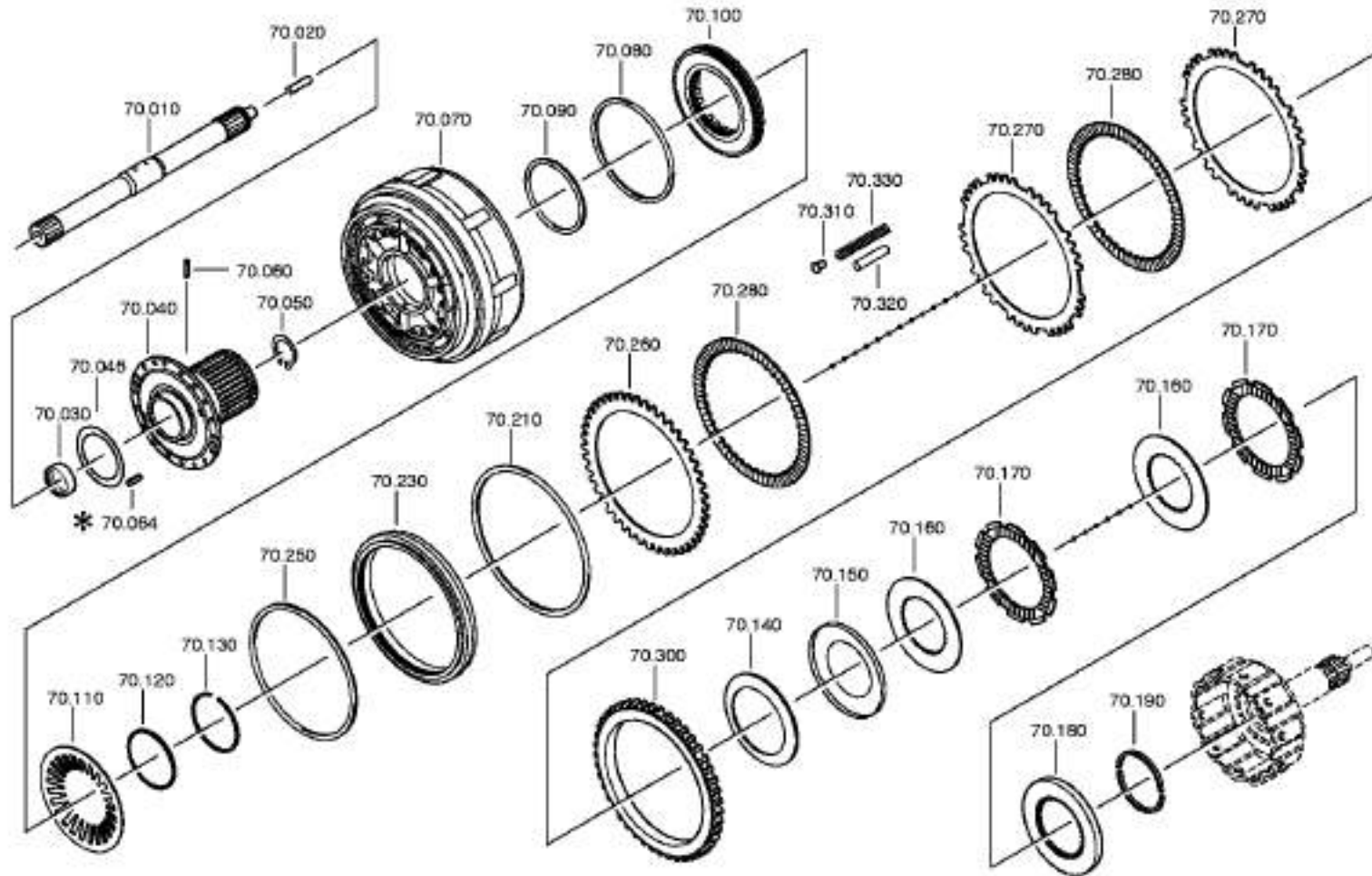
Pos.	Material number	Name	VKF	Amend. no.	Amend. start	Prod. no.	Material feature / tech. info.	OTK	External material no.	ID	Weight	SP
150	4149.233.004	PLANETARY DRIVE	1		00.00.0000		KPL.II HP502*ECOMAT 2PLUS			3	0,000	
/110	4149.333.023	PLANET CARRIER	1		00.00.0000		ECOMAT 2PLUS			5	0,000	
/120	4139.333.864	BEARING PIN	5		00.00.0000		ENTHALT.IN 4139 333 592(2)			5	0,000	
/122	0501.315.917	SLOTPIN	5		00.00.0000					5	0,000	
/130	---	NEEDLE CAGE	10		00.00.0000					3	0,000	
---	0735.320.480	NEEDLE CAGE	10		00.00.0000		30,0X40,0X16,0 FA.INA		5006263	5	0,000	
---	0735.321.461	NEEDLE CAGE	10		00.00.0000		30,0X40,0X15,8 FA.NTN			5	0,000	
/140	---	PLANET GEAR SET	1	C0100721 4D10	00.00.0000	00.00.0000				3	0,000	
---	4149.233.012	PLANET GEAR SET	1		00.00.0000		KPL.BOHRUNGSHONEN			3	0,000	
---	4139.233.314	PLANET GEAR SET	1		00.00.0000		KPL.			3	0,000	
/150	0501.305.968	THRUST PLATE	2		00.00.0000				5006261	5	0,000	
/154	0501.305.969	THRUST PLATE	2		00.00.0000				5006260	5	0,000	
/160	4139.333.003	RING GEAR	1		00.00.0000				5006256	5	0,000	
/170	0730.503.089	RETAINING RING	1	C0100195 6F10	00.00.0000	00.00.0000				5	0,000	
/180	4139.333.668	RING GEAR	1		00.00.0000					5	0,000	
/190	0730.503.079	RETAINING RING	1		00.00.0000		ENTHALT.IN 0730 513 337(2)		5006254	5	0,000	
190	0730.150.639	THRUST WASHER	1		00.00.0000		A=1,00 IN 0730 150 624(2)			5	0,000	
200	4139.333.774	SUN GEAR	1		00.00.0000					5	0,000	

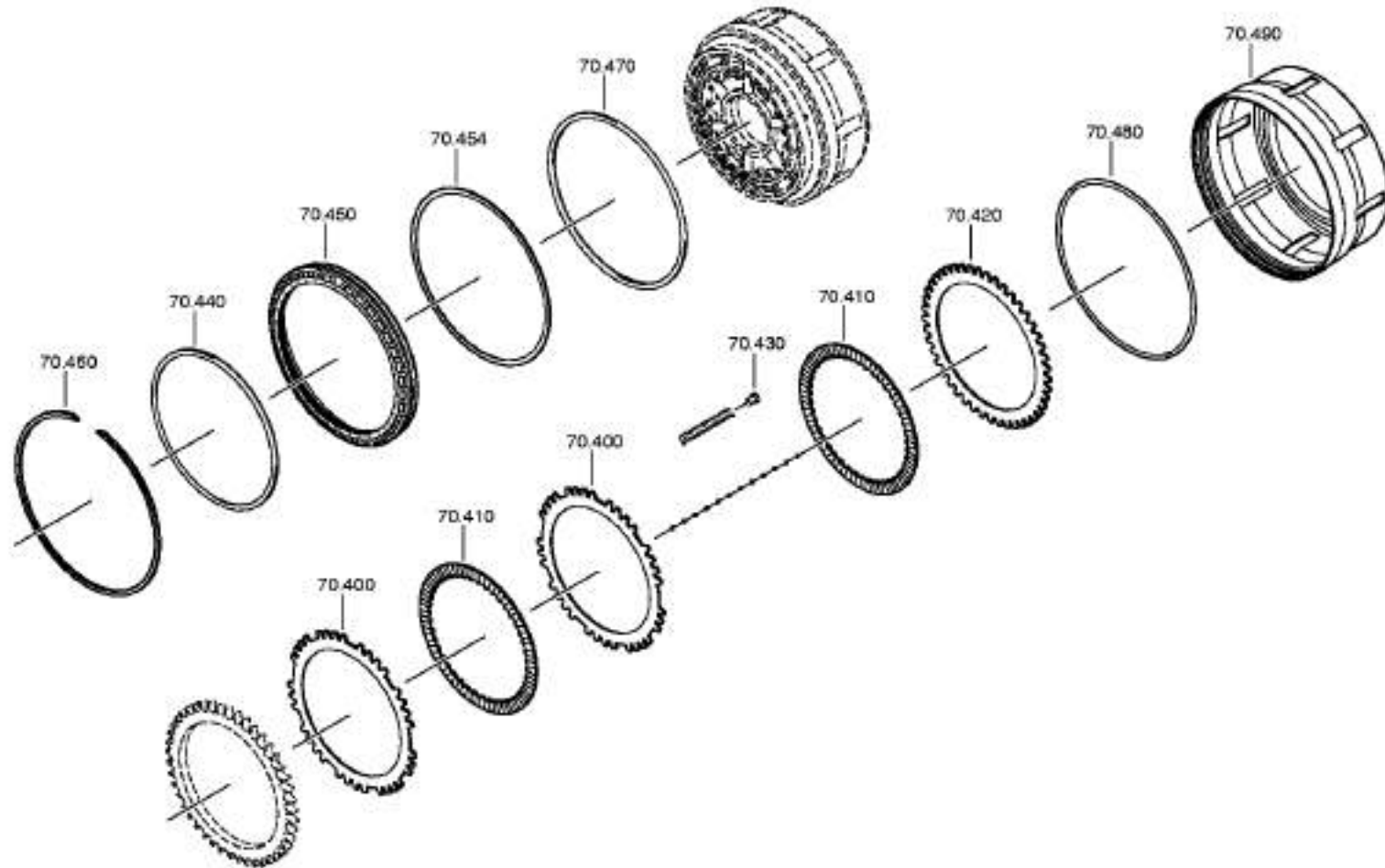
VKF Incidence factor

OTK Optional technical kit

ID Identification (output code)

SP Supplier plant







Pos.	Material number	Name	VKF	Amend. no.	Amend. start	Prod. no.	Material feature / tech. info.	OTK	External material no.	ID	Weight	SP
10	4139.333.755	TURBINE SHAFT	1	C0100890 6C10	00.00.0000	00.00.0000				5	0,000	
20	0730.062.250	PIPE	1		00.00.0000		A=46,00		5006193	5	0,000	
30	0750.115.519	NEEDLE SLEEVE	1		00.00.0000		45,0X52,0X16,0		8 8990 0	3	0,000	
40	4149.333.020	HUB	1		00.00.0000					5	0,000	
46	0730.300.717	WASHER	1	Z0000950 9110	05.10.2010	05.10.2010	A=1,65 A=1,65			5	0,000	
50	0630.531.047	RETAINING RING	1		00.00.0000		38X2,5		VOE267122	5	8	
60	0635.490.065	NEEDLE ROLLER	3		00.00.0000		4X29,8			5	0,000	
64	0631.329.095	SLOTPIN	2	C0100332 1F10	00.00.0000	00.00.0000	10X18			5	0,000	
70	4149.270.010	CLUTCH CARRIER	1	C0100332 1F10	00.00.0000	00.00.0000	KPL.ECO 2PLUS			3	0,000	
80	0501.320.375	SEALING RING	1		00.00.0000		A-RING			5	0,000	
90	0501.320.376	SEALING RING	1		00.00.0000		A-RING			5	0,000	
100	4149.370.060	PISTON	1	C0100933 0D10	00.00.0000	00.00.0000				5	0,000	
110	0732.000.078	CUP SPRING	1		00.00.0000				5006207	5	0,000	
120	4139.333.040	FIXING PLATE	1		00.00.0000				5006208	5	0,000	
130	0630.513.028	SNAP RING	1		00.00.0000				5006209	5	0,000	
140	0732.000.169	CUP SPRING	1		00.00.0000				570220608	5	0,000	
150	4139.333.631	FIXING PLATE	1		00.00.0000				570220708	5	0,000	
160	---	ICLUTCH DISC	6		00.00.0000		S= 2,00- 2,50(ABSTUFUNG:0, 50MM)A			3	0,000	
---	4139.333.765	ICLUTCH DISC	6		00.00.0000		A=2,50 IN 4139 370 036(1)			5	0,000	
---	4139.333.036	ICLUTCH DISC	6		00.00.0000		A=2,00 IN 4139 370 036(1)		5006220	5	0,000	
170	4139.270.035	OCLUTCH DISC	6	C0100405 2D10	00.00.0000	00.00.0000	KPL.			3	0,000	
180	---	END SHIM	1	C0100649 3E10	00.00.0000	00.00.0000				3	0,000	
---	4139.333.694	END SHIM	1		00.00.0000				570220508	5	0,000	

VKF Incidence factor

OTK Optional technical kit

ID Identification (output code)

SP Supplier plant



Pos.	Material number	Name	VKF	Amend. no.	Amend. start	Prod. no.	Material feature / tech. info.	OTK	External material no.	ID	Weight	SP
---	4149.333.033	END SHIM	1		00.00.0000		ZBR			5	0,000	
190	6600.300.048	SPLIT RING	2		00.00.0000				500481908	5	0,000	
210	0501.320.370	SEALING RING	1		00.00.0000		A-RING			5	0,000	
230	4149.370.035	PISTON	1		00.00.0000		ECOMAT 2PLUS/KUPPL.B5			5	0,000	
250	0501.320.371	SEALING RING	1		00.00.0000		A-RING			5	0,000	
260	4139.333.373	DISC	1		00.00.0000		ENTHALT.IN 4139 333 372(1)		5004457	5	0,000	
270	---	OCLUTCH DISC	4		00.00.0000		S= 2,00- 2,50(ABSTUFUNG:0, 50MM)B/C			3	0,000	
---	4139.333.759	OCLUTCH DISC	4		00.00.0000		A=2,50 IN 4139 333 758(1)			5	0,000	
---	4139.333.172	OCLUTCH DISC	4		00.00.0000		A=2,00 IN 4139 333 758(1)		5006215	5	0,000	
280	4139.270.036	ICLUTCH DISC	4	C0100405 1D10	00.00.0000	00.00.0000	KPL.			3	0,000	
300	4149.370.028	END SHIM	1		00.00.0000					5	0,000	
310	4139.333.197	PIN	9		00.00.0000				5006216	5	0,000	
320	0731.201.560	PIN	2		00.00.0000		ENTHALT.IN 0731 201 410(2)			5	0,000	
330	0732.041.421	COMPRSPRING	9		00.00.0000				5004460	5	0,000	
400	---	OCLUTCH DISC	3		00.00.0000		S= 2,00- 3,00(ABSTUFUNG:0, 50MM)C			3	0,000	
---	4149.370.004	OCLUTCH DISC	3		00.00.0000		A=2,50 IN 4149 370 003(1)			5	0,000	
---	4149.370.005	OCLUTCH DISC	3		00.00.0000		A=2,00 IN 4149 370 003(1)			5	0,000	
---	4149.370.001	OCLUTCH DISC	3		00.00.0000		A=3,00 IN 4149 370 003(1)			5	0,000	
410	4139.270.036	ICLUTCH DISC	3	C0100405 1D10	00.00.0000	00.00.0000	KPL.			3	0,000	
420	4139.333.437	DISC	1		00.00.0000				500497408	5	0,000	
430	4139.333.197	PIN	9		00.00.0000				5006216	5	0,000	
440	0501.320.369	SEALING RING	1		00.00.0000		A-RING			5	0,000	
450	4149.270.007	PISTON	1		00.00.0000		KPL.C*A-RING*ECOMAT 2PLUS			3	0,000	
454	4139.370.016	RING	1		00.00.0000					5	0,000	
460	0730.513.120	RETAINING RING	1		00.00.0000				5006198	5	0,000	
470	0501.320.377	SEALING RING	1		00.00.0000		A-RING			5	0,000	

VKF Incidence factor

OTK Optional technical kit

ID Identification (output code)

SP Supplier plant



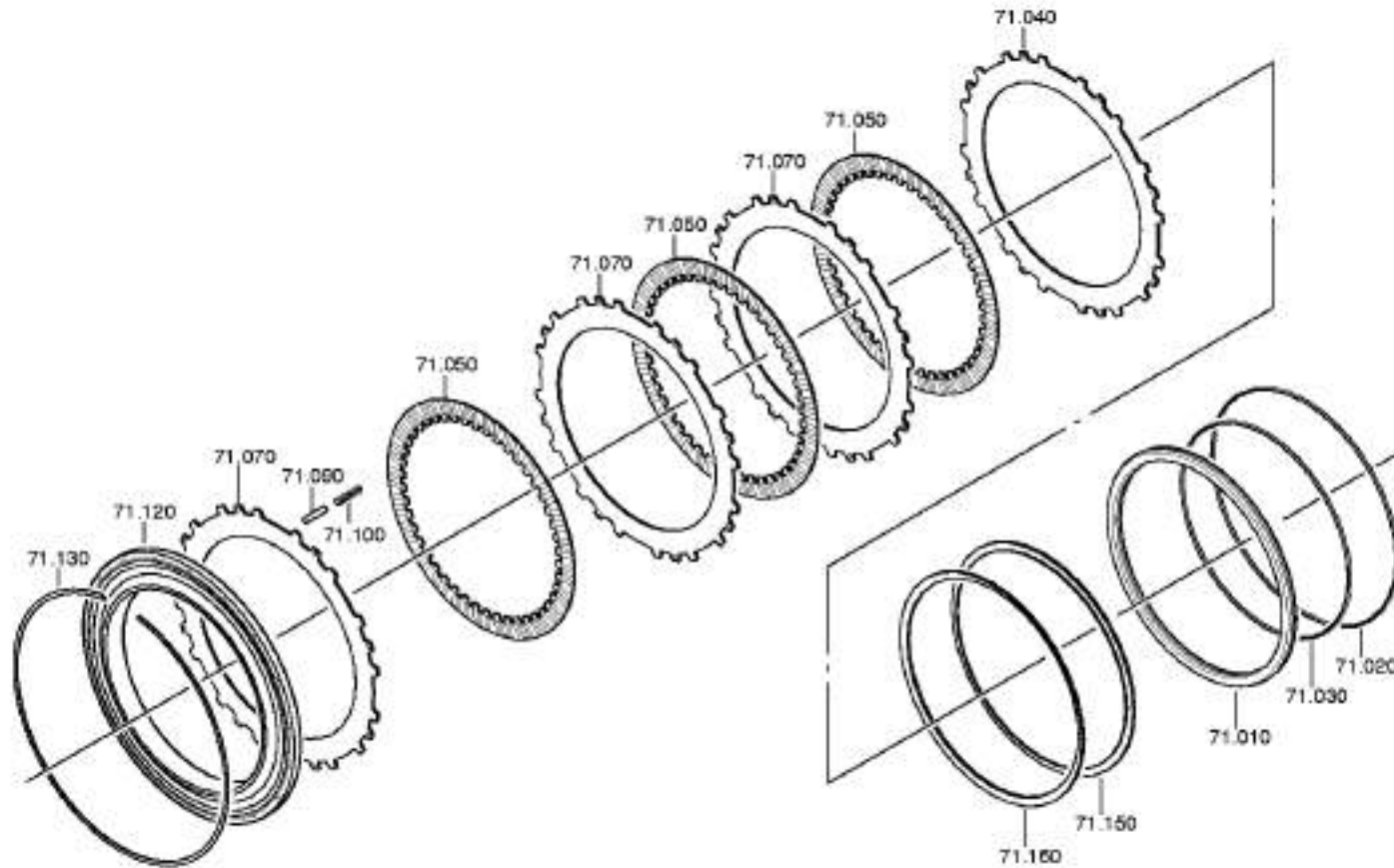
Pos.	Material number	Name	VKF	Amend. no.	Amend. start	Prod. no.	Material feature / tech. info.	OTK	External material no.	ID	Weight	SP
480	0634.349.521	O-RING	1		00.00.0000		310X2,5		5004465	5	0,000	
490	4149.370.002	POT	1		00.00.0000					5	0,000	

VKF Incidence factor

OTK Optional technical kit

ID Identification (output code)

SP Supplier plant





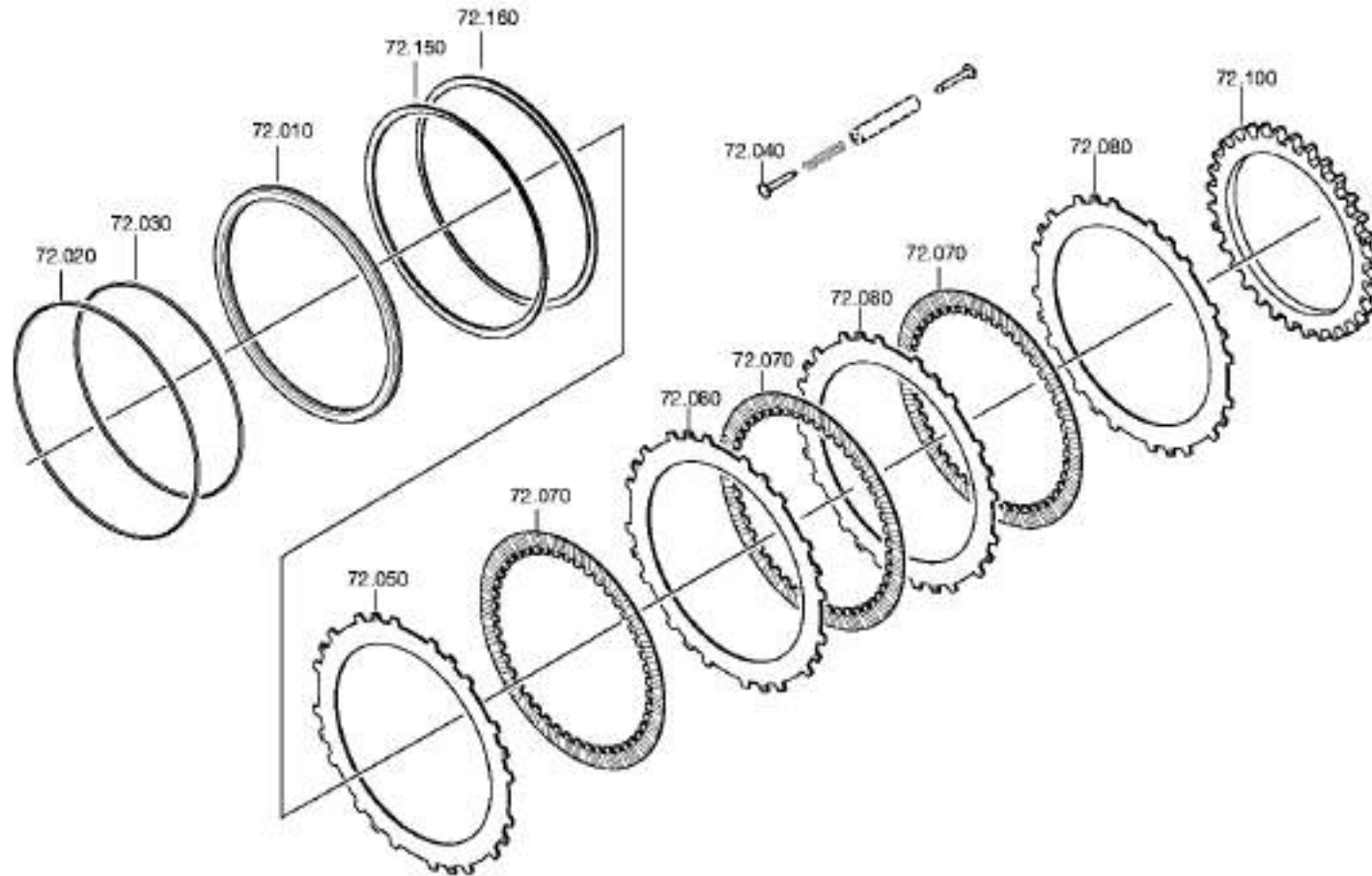
Pos.	Material number	Name	VKF	Amend. no.	Amend. start	Prod. no.	Material feature / tech. info.	OTK	External material no.	ID	Weight	SP
10	4149.371.001	PISTON	1		00.00.0000					5	0,000	
20	0734.307.137	LIP SEALING RING	1		00.00.0000		ENTHALT.IN 0734 307 196(1)		5006199	5	0,000	
30	0734.307.138	LIP SEALING RING	1		00.00.0000		ENTHALT.IN 0734 307 196(1)		5006247	5	0,000	
40	4139.333.263	OCLUTCH DISC	1		00.00.0000		A=3,00 IN 4139 333 760(1)		5004469	5	0,000	
50	4139.233.307	ICLUTCH DISC	3	C0100405 3D10	00.00.0000	00.00.0000	KPL.			3	0,000	
70	---	OCLUTCH DISC	3		00.00.0000		S= 2,00- 3,50(ABSTUFUNG:0, 50MM)D			3	0,000	
---	4139.333.263	OCLUTCH DISC	3		00.00.0000		A=3,00 IN 4139 333 760(1)		5004469	5	0,000	
---	4139.333.745	OCLUTCH DISC	3		00.00.0000		A=2,50 IN 4139 333 760(1)			5	0,000	
---	4139.333.015	OCLUTCH DISC	3		00.00.0000		A=2,00 IN 4139 333 760(1)		5006242	5	0,000	
---	4149.333.009	OCLUTCH DISC	3		00.00.0000		A=3,5 IN 4139 333 760(1)			5	0,000	
90	0731.201.483	PIN	8		00.00.0000				5700 17008	5	0,000	
100	0732.042.471	COMPRSPRING	8		00.00.0000					5	0,000	
120	4149.371.004	END SHIM	1		00.00.0000		ENTHALT.IN 4149 371 002(0)			5	0,000	
130	0630.513.178	SNAP RING	1		00.00.0000				500515908	5	0,000	
150	4149.371.007	SPRING HOLDER	1		00.00.0000					5	0,000	
160	0750.106.078	CUP SPRING	1		00.00.0000					3	0,000	

VKF Incidence factor

OTK Optional technical kit

ID Identification (output code)

SP Supplier plant





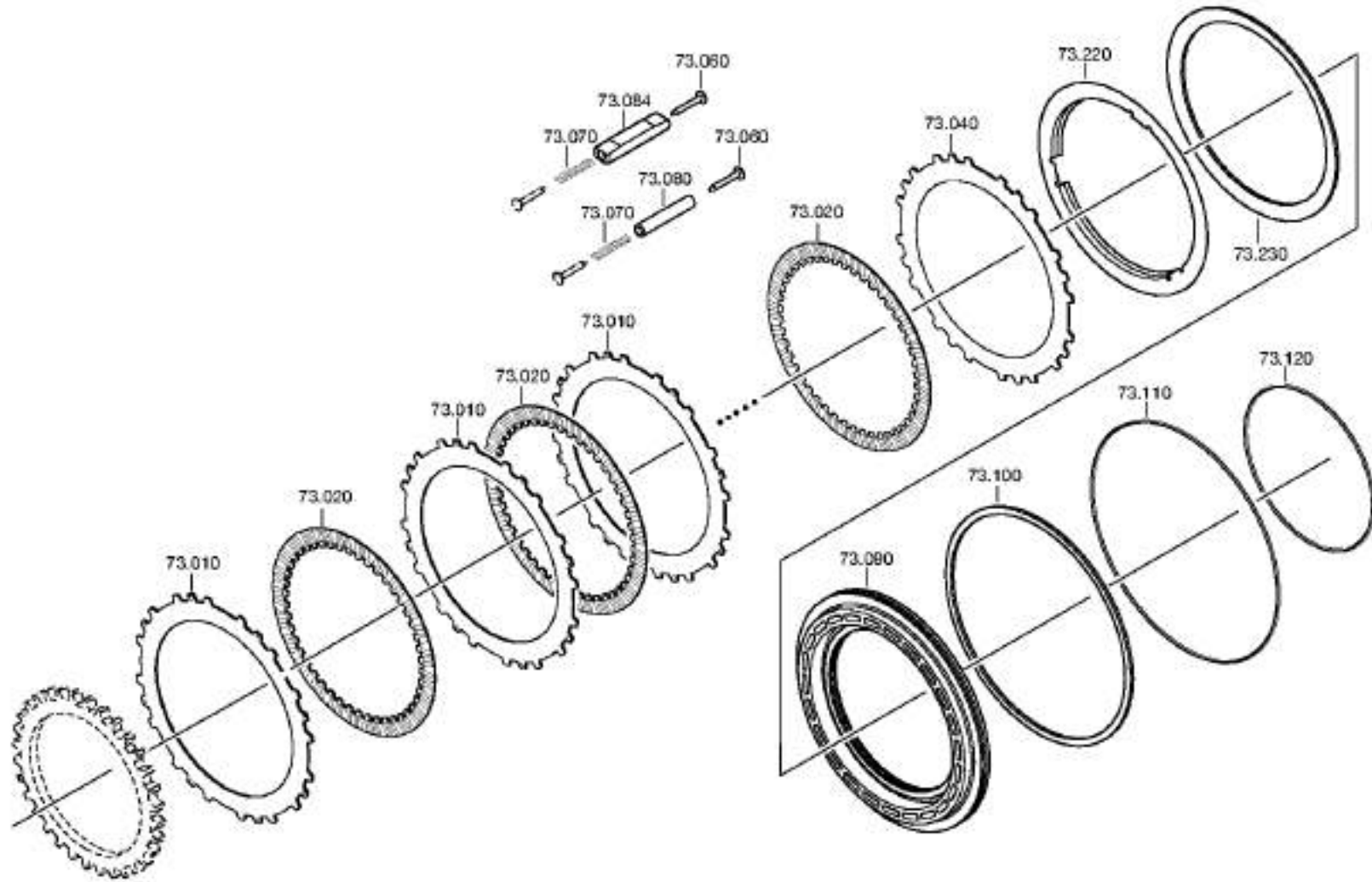
Pos.	Material number	Name	VKF	Amend. no.	Amend. start	Prod. no.	Material feature / tech. info.	OTK	External material no.	ID	Weight	SP
10	4149.371.001	PISTON	1		00.00.0000					5	0,000	
20	0734.307.137	LIP SEALING RING	1		00.00.0000		ENTHALT.IN 0734 307 196(1)		5006199	5	0,000	
30	0734.307.138	LIP SEALING RING	1		00.00.0000		ENTHALT.IN 0734 307 196(1)		5006247	5	0,000	
40	0731.201.541	PIN	8		00.00.0000		KPL. IN 0731 201 542(2)			5	0,000	
50	4139.333.766	OCLUTCH DISC	1		00.00.0000		A=3,00 IN 4139 333 760(1)			5	0,000	
70	4139.233.307	ICLUTCH DISC	6	C0100405 3D10	00.00.0000	00.00.0000	KPL.			3	0,000	
80	---	OCLUTCH DISC	5		00.00.0000		S= 2,00- 3,50(ABSTUFUNG:0, 50MM)E/F/G			3	0,000	
---	4139.333.766	OCLUTCH DISC	5		00.00.0000		A=3,00 IN 4139 333 760(1)			5	0,000	
---	4139.333.745	OCLUTCH DISC	5		00.00.0000		A=2,50 IN 4139 333 760(1)			5	0,000	
---	4139.333.015	OCLUTCH DISC	5		00.00.0000		A=2,00 IN 4139 333 760(1)		5006242	5	0,000	
---	4149.333.009	OCLUTCH DISC	5		00.00.0000		A=3,5 IN 4139 333 760(1)			5	0,000	
100	4149.372.006	PRESSURE RING	1		00.00.0000		E12/14*O.NBS			5	0,000	
150	4149.371.007	SPRING HOLDER	1		00.00.0000					5	0,000	
160	0750.106.078	CUP SPRING	1		00.00.0000					3	0,000	

VKF Incidence factor

OTK Optional technical kit

ID Identification (output code)

SP Supplier plant





Pos.	Material number	Name	VKF	Amend. no.	Amend. start	Prod. no.	Material feature / tech. info.	OTK	External material no.	ID	Weight	SP
10	---	OCLUTCH DISC	6		00.00.0000		S= 2,00- 3,50(ABSTUFUNG:0, 50MM)E/F/G			3	0,000	
---	4139.333.766	OCLUTCH DISC	6		00.00.0000		A=3,00 IN 4139 333 760(1)			5	0,000	
---	4139.333.745	OCLUTCH DISC	6		00.00.0000		A=2,50 IN 4139 333 760(1)			5	0,000	
---	4139.333.015	OCLUTCH DISC	6		00.00.0000		A=2,00 IN 4139 333 760(1)		5006242	5	0,000	
---	4149.333.009	OCLUTCH DISC	6		00.00.0000		A=3,5 IN 4139 333 760(1)			5	0,000	
20	4139.233.307	ICLUTCH DISC	7		00.00.0000		KPL.			3	0,000	
40	4139.373.029	OCLUTCH DISC	1		00.00.0000				5004 99308	5	0,000	
60	0731.201.541	PIN	8		00.00.0000		KPL. IN 0731 201 542(2)			5	0,000	
70	0732.041.409	COMPRSPRING	8		00.00.0000					5	17	
80	0730.161.355	PIPE	6		00.00.0000		A=85,00			5	0,000	
84	4149.373.019	SLEEVE	2		00.00.0000		A=82,50 O.MECH.NBS			5	0,000	
90	4149.373.013	PISTON	1		00.00.0000		ECOMAT 2PLUS/BREMSE.F			5	0,000	
100	0734.307.139	LIP SEALING RING	1		00.00.0000		ENTHALT.IN 0734 307 196(1)		5006293	5	0,000	
110	0634.305.087	PISTON RING	1		00.00.0000		250X260X2,2			5	0,000	
120	0634.305.066	PISTON RING	1		00.00.0000		210X220X2,2		5004 47708	5	0,000	
220	4149.373.005	SPRING HOLDER	1		00.00.0000		ENTHALT.IN 4149 373 001(2)			5	0,000	
230	0750.106.007	CUP SPRING	1		00.00.0000		240X278,5X4,8			3	0,000	

VKF Incidence factor

OTK Optional technical kit

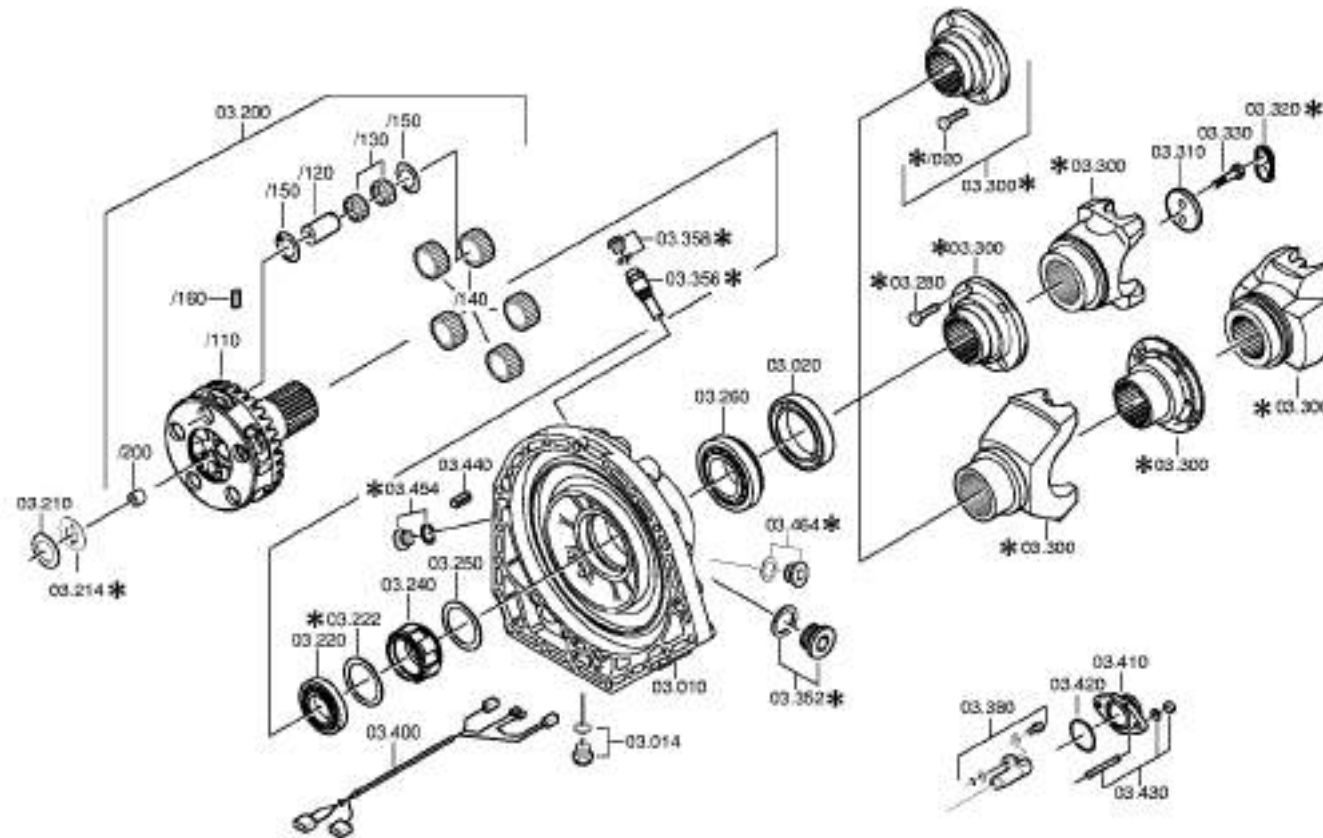
ID Identification (output code)

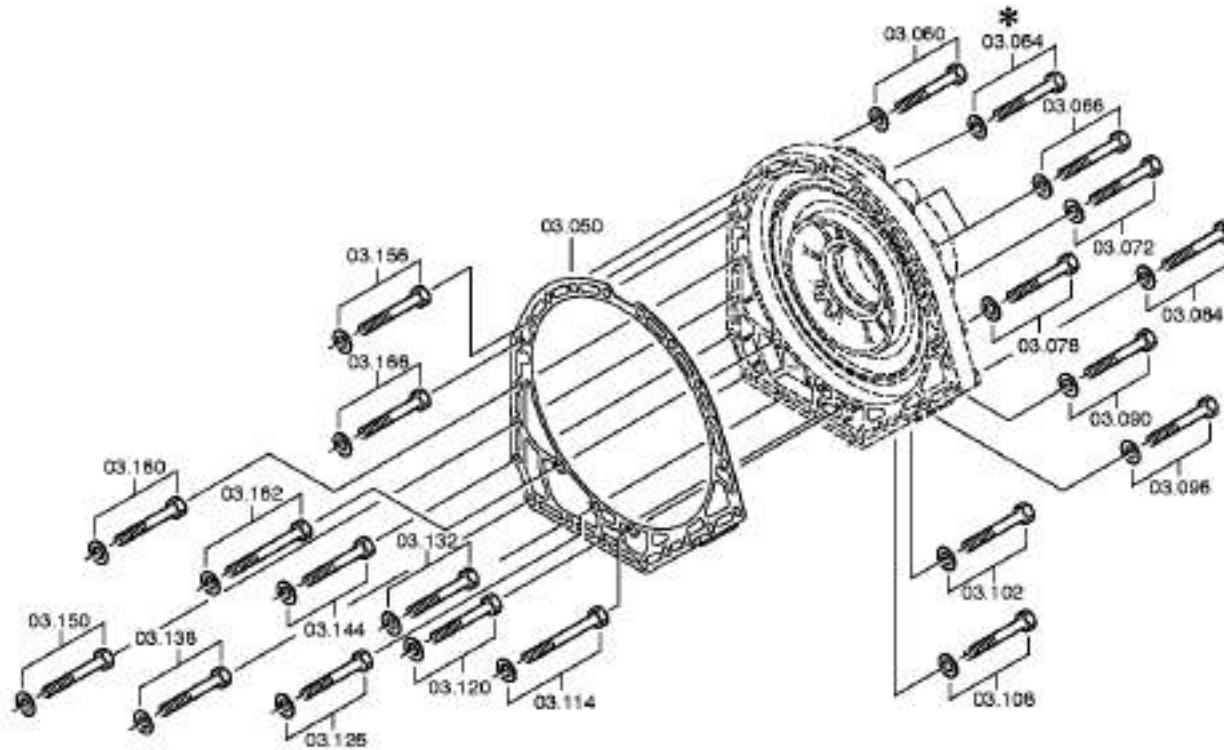
SP Supplier plant



Bildtafel:
Figure: 004.20.49
Figure:
Figura:

je nach Stücklistenausführung
depending on spec. number
* suivant la nomenclature
secondo la distinta base







Pos.	Material number	Name	VKF	Amend. no.	Amend. start	Prod. no.	Material feature / tech. info.	OTK	External material no.	ID	Weight	SP
10	4149.203.023	OUTPUT COVER	1		00.00.0000					3	0,000	
14	---	SCREW PLUG	1		00.00.0000		35N.M*DICHTRING AM18X1,5			3	0,000	
---	0636.305.067	SCREW PLUG	1		00.00.0000		M18X1,5			5	0,020	
---	0634.801.057	SEALING RING	1		00.00.0000		18X22		1000002651	4	0,002	
20	---	SHAFT SEAL	1		00.00.0000		90X125X12			3	0,000	
---	0750.111.018	SHAFT SEAL	1		00.00.0000		90X125X12			3	0,080	
---	0750.199.019	GREASE	1		00.00.0000		KLASSE A			3	0,000	
50	4139.301.618	GASKET	1		00.00.0000				5006 35108	5	0,000	
60	---	HEXAGON BOLT	4	Z0000706 4813	31.12.2010	31.12.2010	M10X55			3	0,000	
---	0636.011.759	HEXAGON BOLT	4	Z0000706 4810	26.08.2010	26.08.2010	M10X55			5	0,000	
---	0630.100.294	WASHER	4	Z0000715 8113	31.12.2010	31.12.2010				5	0,000	
66	---	HEXAGON BOLT	2	Z0000704 9012	01.01.2012	01.01.2012	M10X60			3	0,000	
---	0636.011.755	HEXAGON BOLT	2	Z0000704 9010	18.08.2010	18.08.2010	M10X60			5	0,000	
---	0630.100.294	WASHER	2	Z0000715 8113	31.12.2010	31.12.2010				5	0,000	
72	---	HEXAGON BOLT	1	Z0000704 9012	01.01.2012	01.01.2012	M10X60			3	0,000	
---	0636.011.755	HEXAGON BOLT	1	Z0000704 9010	18.08.2010	18.08.2010	M10X60			5	0,000	
---	0630.100.294	WASHER	1	Z0000715 8113	31.12.2010	31.12.2010				5	0,000	
78	---	HEXAGON BOLT	1	Z0000704 9012	01.01.2012	01.01.2012	M10X60			3	0,000	
---	0636.011.755	HEXAGON BOLT	1	Z0000704 9010	18.08.2010	18.08.2010	M10X60			5	0,000	

VKF Incidence factor

OTK Optional technical kit

ID Identification (output code)

SP Supplier plant



Pos.	Material number	Name	VKF	Amend. no.	Amend. start	Prod. no.	Material feature / tech. info.	OTK	External material no.	ID	Weight	SP
---	0630.100.294	WASHER	1	Z0000715 8113	31.12.2010	31.12.2010				5	0,000	
84	---	HEXAGON BOLT	1	Z0000706 4813	31.12.2010	31.12.2010	M10X55			3	0,000	
---	0636.011.759	HEXAGON BOLT	1	Z0000706 4810	26.08.2010	26.08.2010	M10X55			5	0,000	
---	0630.100.294	WASHER	1	Z0000715 8113	31.12.2010	31.12.2010				5	0,000	
90	---	HEXAGON BOLT	1	Z0000704 9012	01.01.2012	01.01.2012	M10X60			3	0,000	
---	0636.011.755	HEXAGON BOLT	1	Z0000704 9010	18.08.2010	18.08.2010	M10X60			5	0,000	
---	0630.010.026	WASHER	1	Z0000704 9010	18.08.2010	18.08.2010				5	0,000	
96	---	HEXAGON BOLT	1	Z0000704 9012	01.01.2012	01.01.2012	M10X60			3	0,000	
---	0636.011.755	HEXAGON BOLT	1	Z0000704 9010	18.08.2010	18.08.2010	M10X60			5	0,000	
---	0630.010.026	WASHER	1	Z0000704 9010	18.08.2010	18.08.2010				5	0,000	
102	---	HEXAGON BOLT	1	Z0000704 9012	01.01.2012	01.01.2012	M10X60			3	0,000	
---	0636.011.755	HEXAGON BOLT	1	Z0000704 9010	18.08.2010	18.08.2010	M10X60			5	0,000	
---	0630.010.026	WASHER	1	Z0000704 9010	18.08.2010	18.08.2010				5	0,000	
108	---	HEXAGON BOLT	1	Z0000704 9012	01.01.2012	01.01.2012	M10X60			3	0,000	
---	0636.011.755	HEXAGON BOLT	1	Z0000704 9010	18.08.2010	18.08.2010	M10X60			5	0,000	
---	0630.010.026	WASHER	1	Z0000704 9010	18.08.2010	18.08.2010				5	0,000	

VKF Incidence factor

OTK Optional technical kit

ID Identification (output code)

SP Supplier plant



Pos.	Material number	Name	VKF	Amend. no.	Amend. start	Prod. no.	Material feature / tech. info.	OTK	External material no.	ID	Weight	SP
114	---	HEXAGON BOLT	1		00.00.0000		M10X75			3	0,000	
---	0636.010.379	HEXAGON BOLT	1		00.00.0000		M10X75			5	0,053	
---	0630.100.294	WASHER	1	Z0000715 8112	31.12.2010	31.12.2010				5	0,000	
120	---	HEXAGON BOLT	1	Z0000706 4813	31.12.2010	31.12.2010	M10X55			3	0,000	
---	0636.011.759	HEXAGON BOLT	1	Z0000706 4810	26.08.2010	26.08.2010	M10X55			5	0,000	
---	0630.100.294	WASHER	1	Z0000715 8113	31.12.2010	31.12.2010				5	0,000	
126	---	HEXAGON BOLT	1	Z0000706 4813	31.12.2010	31.12.2010	M10X55			3	0,000	
---	0636.011.759	HEXAGON BOLT	1	Z0000706 4810	26.08.2010	26.08.2010	M10X55			5	0,000	
---	0630.100.294	WASHER	1	Z0000715 8113	31.12.2010	31.12.2010				5	0,000	
132	---	HEXAGON BOLT	1	Z0000704 9012	01.01.2012	01.01.2012	M10X60			3	0,000	
---	0636.011.755	HEXAGON BOLT	1	Z0000704 9010	18.08.2010	18.08.2010	M10X60			5	0,000	
---	0630.010.026	WASHER	1	Z0000704 9010	18.08.2010	18.08.2010				5	0,000	
138	---	HEXAGON BOLT	1	Z0000704 9012	01.01.2012	01.01.2012	M10X60			3	0,000	
---	0636.011.755	HEXAGON BOLT	1	Z0000704 9010	18.08.2010	18.08.2010	M10X60			5	0,000	
---	0630.010.026	WASHER	1	Z0000704 9010	18.08.2010	18.08.2010				5	0,000	
144	---	HEXAGON BOLT	1	Z0000704 9012	01.01.2012	01.01.2012	M10X60			3	0,000	
---	0636.011.755	HEXAGON BOLT	1	Z0000704 9010	18.08.2010	18.08.2010	M10X60			5	0,000	

VKF Incidence factor

OTK Optional technical kit

ID Identification (output code)

SP Supplier plant



Pos.	Material number	Name	VKF	Amend. no.	Amend. start	Prod. no.	Material feature / tech. info.	OTK	External material no.	ID	Weight	SP
---	0630.010.026	WASHER	1	Z0000704 9010	18.08.2010	18.08.2010				5	0,000	
150	---	HEXAGON BOLT	1	Z0000704 9012	01.01.2012	01.01.2012	M10X60			3	0,000	
---	0636.011.755	HEXAGON BOLT	1	Z0000704 9010	18.08.2010	18.08.2010	M10X60			5	0,000	
---	0630.010.026	WASHER	1	Z0000704 9010	18.08.2010	18.08.2010				5	0,000	
156	---	HEXAGON BOLT	1	Z0000706 4813	31.12.2010	31.12.2010	M10X55			3	0,000	
---	0636.011.759	HEXAGON BOLT	1	Z0000706 4810	26.08.2010	26.08.2010	M10X55			5	0,000	
---	0630.100.294	WASHER	1	Z0000715 8113	31.12.2010	31.12.2010				5	0,000	
160	---	HEXAGON BOLT	1	Z0000706 4813	31.12.2010	31.12.2010	M10X55			3	0,000	
---	0636.011.759	HEXAGON BOLT	1	Z0000706 4810	26.08.2010	26.08.2010	M10X55			5	0,000	
---	0630.100.294	WASHER	1	Z0000715 8113	31.12.2010	31.12.2010				5	0,000	
162	---	HEXAGON BOLT	1		00.00.0000		M10X75			3	0,000	
---	0636.010.379	HEXAGON BOLT	1		00.00.0000		M10X75			5	0,053	
---	0630.100.294	WASHER	1	Z0000715 8112	31.12.2010	31.12.2010				5	0,000	
166	---	HEXAGON BOLT	1	Z0000706 4813	31.12.2010	31.12.2010	M10X55			3	0,000	
---	0636.011.759	HEXAGON BOLT	1	Z0000706 4810	26.08.2010	26.08.2010	M10X55			5	0,000	
---	0630.100.294	WASHER	1	Z0000715 8113	31.12.2010	31.12.2010				5	0,000	
200	4149.203.016	PLANETARY DRIVE	1		00.00.0000		KPL.			3	0,000	
/110	4149.203.014	PLANET CARRIER	1		00.00.0000		KPL.			3	0,000	

VKF Incidence factor

OTK Optional technical kit

ID Identification (output code)

SP Supplier plant



Pos.	Material number	Name	VKF	Amend. no.	Amend. start	Prod. no.	Material feature / tech. info.	OTK	External material no.	ID	Weight	SP
/120	4139.333.593	BEARING PIN	5		00.00.0000		ENTHALT.IN 4139 333 592(2)			5	0,000	
/130	---	NEEDLE CAGE	10		00.00.0000					3	0,000	
---	0735.320.480	NEEDLE CAGE	10		00.00.0000		30,0X40,0X16,0 FA.INA		5006263	5	0,000	
---	0735.321.461	NEEDLE CAGE	10		00.00.0000		30,0X40,0X15,8 FA.NTN			5	0,000	
/140	---	PLANET GEAR SET	1		00.00.0000					3	0,000	
---	4149.233.013	PLANET GEAR SET	1		00.00.0000		KPL.BOHRUNGSHONEN			3	0,000	
---	4139.203.136	PLANET GEAR SET	1		00.00.0000		KPL.		4139203136	3	0,000	
/150	4149.303.023	THRUST WASHER	10	C0100140 4E10	00.00.0000	00.00.0000				5	0,000	
/160	0501.315.917	SLOTPIN	5		00.00.0000					5	0,000	
/200	0750.115.518	NEEDLE SLEEVE	1		00.00.0000		18,0X24,0X16,0			3	0,000	
210	---	SPACING WASHER	1		00.00.0000		S= 1,80- 7,00(ABSTUFUNG:0, 20MM)			3	0,000	
---	0730.105.229	SPACING WASHER	1		00.00.0000		A=7,00 IN 0730 104 779(2)			5	0,000	
---	0730.105.228	SPACING WASHER	1		00.00.0000		A=6,80 IN 0730 104 779(2)			5	0,000	
---	0730.105.227	SPACING WASHER	1		00.00.0000		A=6,60 IN 0730 104 779(2)			5	0,000	
---	0730.110.828	SPACING WASHER	1		00.00.0000		A=6,50 IN 0730 104 779(2)			5	0,000	
---	0730.105.226	SPACING WASHER	1		00.00.0000		A=6,40 IN 0730 104 779(2)			5	0,000	
---	0730.110.827	SPACING WASHER	1		00.00.0000		A=6,30 IN 0730 104 779(2)			5	0,000	
---	0730.105.225	SPACING WASHER	1		00.00.0000		A=6,20 IN 0730 104 779(2)			5	0,000	
---	0730.110.826	SPACING WASHER	1		00.00.0000		A=6,10 IN 0730 104 779(2)			5	0,000	
---	0730.105.224	SPACING WASHER	1		00.00.0000		A=6,00 IN 0730 104 779(2)			5	0,000	
---	0730.109.936	SPACING WASHER	1		00.00.0000		A=5,90 IN 0730 104 779(2)			5	0,000	
---	0730.105.223	SPACING WASHER	1		00.00.0000		A=5,80 IN 0730 104 779(2)			5	0,000	
---	0730.109.935	SPACING WASHER	1		00.00.0000		A=5,70 IN 0730 104 779(2)			5	0,000	
---	0730.105.222	SPACING WASHER	1		00.00.0000		A=5,60 IN 0730 104 779(2)			5	0,000	
---	0730.109.934	SPACING WASHER	1		00.00.0000		A=5,50 IN 0730 104 779(2)			5	0,000	
---	0730.105.221	SPACING WASHER	1		00.00.0000		A=5,40 IN 0730 104 779(2)			5	0,000	
---	0730.109.933	SPACING WASHER	1		00.00.0000		A=5,30 IN 0730 104 779(2)			5	0,000	
---	0730.103.511	SPACING WASHER	1		00.00.0000		A=5,20 IN 0730 104 779(2)			5	0,000	
---	0730.109.932	SPACING WASHER	1		00.00.0000		A=5,10 IN 0730 104 779(2)			5	0,000	

VKF Incidence factor

OTK Optional technical kit

ID Identification (output code)

SP Supplier plant



Pos.	Material number	Name	VKF	Amend. no.	Amend. start	Prod. no.	Material feature / tech. info.	OTK	External material no.	ID	Weight	SP
---	0730.103.512	SPACING WASHER	1		00.00.0000		A=5,00 IN 0730 104 779(2)			5	0,000	
---	0730.109.931	SPACING WASHER	1		00.00.0000		A=4,90 IN 0730 104 779(2)			5	0,000	
---	0730.103.513	SPACING WASHER	1		00.00.0000		A=4,80 IN 0730 104 779(2)			5	0,000	
---	0730.109.930	SPACING WASHER	1		00.00.0000		A=4,70 IN 0730 104 779(2)			5	0,000	
---	0730.103.514	SPACING WASHER	1		00.00.0000		A=4,60 IN 0730 104 779(2)			5	0,000	
---	0730.109.929	SPACING WASHER	1		00.00.0000		A=4,50 IN 0730 104 779(2)			5	0,000	
---	0730.103.515	SPACING WASHER	1		00.00.0000		A=4,40 IN 0730 104 779(2)			5	0,000	
---	0730.109.928	SPACING WASHER	1		00.00.0000		A=4,30 IN 0730 104 779(2)			5	0,000	
---	0730.103.516	SPACING WASHER	1		00.00.0000		A=4,20 IN 0730 104 779(2)			5	0,000	
---	0730.109.927	SPACING WASHER	1		00.00.0000		A=4,10 IN 0730 104 779(2)			5	0,000	
---	0730.103.517	SPACING WASHER	1		00.00.0000		A=4,00 IN 0730 104 779(2)			5	0,000	
---	0730.109.926	SPACING WASHER	1		00.00.0000		A=3,90 IN 0730 104 779(2)			5	0,000	
---	0730.103.518	SPACING WASHER	1		00.00.0000		A=3,80 IN 0730 104 779(2)			5	0,000	
---	0730.103.519	SPACING WASHER	1		00.00.0000		A=3,60 IN 0730 104 779(2)			5	0,000	
---	0730.103.272	SPACING WASHER	1		00.00.0000		35,1X58X3,4			5	0,000	
---	0730.103.273	SPACING WASHER	1		00.00.0000		A=3,20 IN 0730 104 779(2)			5	0,000	
---	0730.103.274	SPACING WASHER	1		00.00.0000		A=3,00 IN 0730 104 779(2)			5	0,000	
---	0730.103.275	SPACING WASHER	1		00.00.0000		A=2,80 IN 0730 104 779(2)			5	0,000	
---	0730.103.276	SPACING WASHER	1		00.00.0000		A=2,60 IN 0730 104 779(2)			5	0,000	
---	0730.103.277	SPACING WASHER	1		00.00.0000		A=2,40 IN 0730 104 779(2)			5	0,000	
---	0730.103.278	SPACING WASHER	1		00.00.0000		A=2,20 IN 0730 104 779(2)			5	0,000	
---	0730.103.279	SPACING WASHER	1		00.00.0000		A=2,00 IN 0730 104 779(2)			5	0,000	
---	0730.103.362	SPACING WASHER	1		00.00.0000		A=1,80 IN 0730 104 779(2)			5	0,000	
220	---	TAROLLBEARING	1		00.00.0000		70,0X110,0X25,0			3	0,000	
---	0750.117.625	TAROLLBEARING	1		00.00.0000		70,0X110,0X25,0			3	0,840	
222	0730.009.583	WASHER	1		00.00.0000		A=3,00			5	0,000	
240	4149.303.013	TOOTHED RING	1		00.00.0000		Z6			5	0,000	
250	---	WASHER	1		00.00.0000		S= 0,40- 1,20(ABSTUFUNG:0,10MM)			3	0,000	
---	0730.103.586	WASHER	1		00.00.0000		A=1,20 IN 0730 106 665(2)		5006344	5	0,000	

VKF Incidence factor

OTK Optional technical kit

ID Identification (output code)

SP Supplier plant



Pos.	Material number	Name	VKF	Amend. no.	Amend. start	Prod. no.	Material feature / tech. info.	OTK	External material no.	ID	Weight	SP
---	0730.008.869	WASHER	1	C0100362 5B10	00.00.0000	00.00.0000	A=1,15 IN 0730 106 665(2)			5	0,000	
---	0730.103.587	WASHER	1		00.00.0000		A=1,10 IN 0730 106 665(2)			5	0,000	
---	0730.106.668	WASHER	1		00.00.0000		A=1,05 IN 0730 106 665(2)			5	0,000	
---	0730.103.588	WASHER	1		00.00.0000		A=1,00 IN 0730 106 665(2)			5	0,000	
---	0730.106.667	WASHER	1		00.00.0000		A=0,95 IN 0730 106 665(2)			5	0,000	
---	0730.106.666	WASHER	1		00.00.0000		A=0,90 IN 0730 106 665(2)			5	0,000	
---	0730.008.868	WASHER	1	C0100362 5B10	00.00.0000	00.00.0000	A=0,85 IN 0730 106 665(2)			5	0,000	
---	0730.103.589	WASHER	1		00.00.0000		A=0,80 IN 0730 106 665(2)			5	0,000	
---	0730.103.590	WASHER	1		00.00.0000		A=0,60 IN 0730 106 665(2)			5	0,000	
---	0730.103.591	WASHER	1		00.00.0000		A=0,40 IN 0730 106 665(2)			5	0,000	
260	---	TAROLLBEARING	1		00.00.0000		70,0X125,0X26,2			3	0,000	
---	0750.117.621	TAROLLBEARING	1		00.00.0000		70,0X125,0X26,2			3	1,290	
300	4139.203.033	OUTPUT FLANGE	1		00.00.0000		KPL.AD=165*8XM16X1,5X45			3	0,000	
/20	---	HEXAGON BOLT	8		00.00.0000		SCHUTZHUELSE M16X1,5X45			3	0,000	
---	0736.020.126	HEXAGON BOLT	8		00.00.0000		M16X1,5X45		3150390900	5	0,100	
310	4139.303.239	WASHER	1		00.00.0000					5	0,000	
312	---	SEALCOMPOUND	2		00.00.0000		BASISMENGE 1CM3			3	0,000	
330	0636.011.641	HEXAGON BOLT	2		00.00.0000		M12X60			5	0,000	
356	---	PULSE SENSOR	1		00.00.0000		45N.M*O.DICHTRING*OHNE KAPPE*L=35,0			3	0,000	
---	0501.210.857	PULSE SENSOR	1		00.00.0000					5	0,000	
380	---	INDTRANSMITTER	1		00.00.0000		SCHEIBE			3	0,000	
---	0501.314.432	INDTRANSMITTER	1		00.00.0000					5	0,028	
---	---	WASHER	1		00.00.0000		S= 0,08- 6,00(ABSTUFUNG:0, 10MM)			3	0,000	
---	0730.008.442	WASHER	1		00.00.0000		A=6,00 IN 0730 008 416(2)			5	0,000	
---	0730.008.441	WASHER	1		00.00.0000		A=5,80 IN 0730 008 416(2)			5	0,000	
---	0730.008.440	WASHER	1		00.00.0000		A=5,60 IN 0730 008 416(2)			5	0,000	
---	0730.008.439	WASHER	1		00.00.0000		A=5,40 IN 0730 008 416(2)			5	0,000	

VKF Incidence factor

OTK Optional technical kit

ID Identification (output code)

SP Supplier plant



Pos.	Material number	Name	VKF	Amend. no.	Amend. start	Prod. no.	Material feature / tech. info.	OTK	External material no.	ID	Weight	SP
---	0730.008.438	WASHER	1		00.00.0000		A=5,20 IN 0730 008 416(2)			5	0,000	
---	0730.008.437	WASHER	1		00.00.0000		A=5,00 IN 0730 008 416(2)			5	0,000	
---	0730.008.436	WASHER	1		00.00.0000		A=4,80 IN 0730 008 416(2)			5	0,000	
---	0730.008.435	WASHER	1		00.00.0000		A=4,60 IN 0730 008 416(2)			5	0,000	
---	0730.008.434	WASHER	1		00.00.0000		A=4,40 IN 0730 008 416(2)			5	0,000	
---	0730.008.433	WASHER	1		00.00.0000		A=4,20 IN 0730 008 416(2)			5	0,000	
---	0730.008.432	WASHER	1		00.00.0000		A=4,00 IN 0730 008 416(2)			5	0,000	
---	0730.008.431	WASHER	1		00.00.0000		A=3,80 IN 0730 008 416(2)			5	0,000	
---	0730.008.430	WASHER	1		00.00.0000		A=3,60 IN 0730 008 416(2)			5	0,000	
---	0730.008.429	WASHER	1		00.00.0000		A=3,20 IN 0730 008 416(2)			5	0,000	
---	0730.008.428	WASHER	1		00.00.0000		A=3,00 IN 0730 008 416(2)			5	0,000	
---	0730.009.198	WASHER	1		00.00.0000		A=2,90 IN 0730 008 416(2)			5	0,000	
---	0730.008.427	WASHER	1		00.00.0000		A=2,80 IN 0730 008 416(2)			5	0,000	
---	0730.009.197	WASHER	1		00.00.0000		A=2,70 IN 0730 008 416(2)			5	0,000	
---	0730.008.426	WASHER	1		00.00.0000		A=2,60 IN 0730 008 416(2)			5	2,500	
---	0730.009.196	WASHER	1		00.00.0000		A=2,50 IN 0730 008 416(2)			5	0,002	
---	0730.008.425	WASHER	1		00.00.0000		A=2,40 IN 0730 008 416(2)			5	2,200	
---	0730.008.424	WASHER	1		00.00.0000		A=2,20 IN 0730 008 416(2)			5	2	
---	0730.009.195	WASHER	1		00.00.0000		A=2,10 IN 0730 008 416(2)			5	0,010	
---	0730.008.423	WASHER	1		00.00.0000		A=2,00 IN 0730 008 416(2)			5	2	
---	0730.009.194	WASHER	1		00.00.0000		A=1,90 IN 0730 008 416(2)			5	0,002	
---	0730.008.422	WASHER	1		00.00.0000		A=1,80 IN 0730 008 416(2)			5	1,800	
---	0730.009.193	WASHER	1		00.00.0000		A=1,70 IN 0730 008 416(2)			5	0,010	
---	0730.008.421	WASHER	1		00.00.0000		A=1,60 IN 0730 008 416(2)			5	1,500	
---	0730.009.192	WASHER	1		00.00.0000		A=1,50 IN 0730 008 416(2)			5	0,001	
---	0730.008.420	WASHER	1		00.00.0000		A=1,40 IN 0730 008 416(2)			5	0,002	
---	0730.009.191	WASHER	1		00.00.0000		A=1,30 IN 0730 008 416(2)			5	0,001	
---	0730.008.419	WASHER	1		00.00.0000		A=1,20 IN 0730 008 416(2)			5	1,200	
---	0730.008.418	WASHER	1		00.00.0000		A=1,00 IN 0730 008 416(2)			5	1	
---	0730.008.417	WASHER	1		00.00.0000		A=0,80 IN 0730 008 416(2)			5	0,000	

VKF Incidence factor

OTK Optional technical kit

ID Identification (output code)

SP Supplier plant



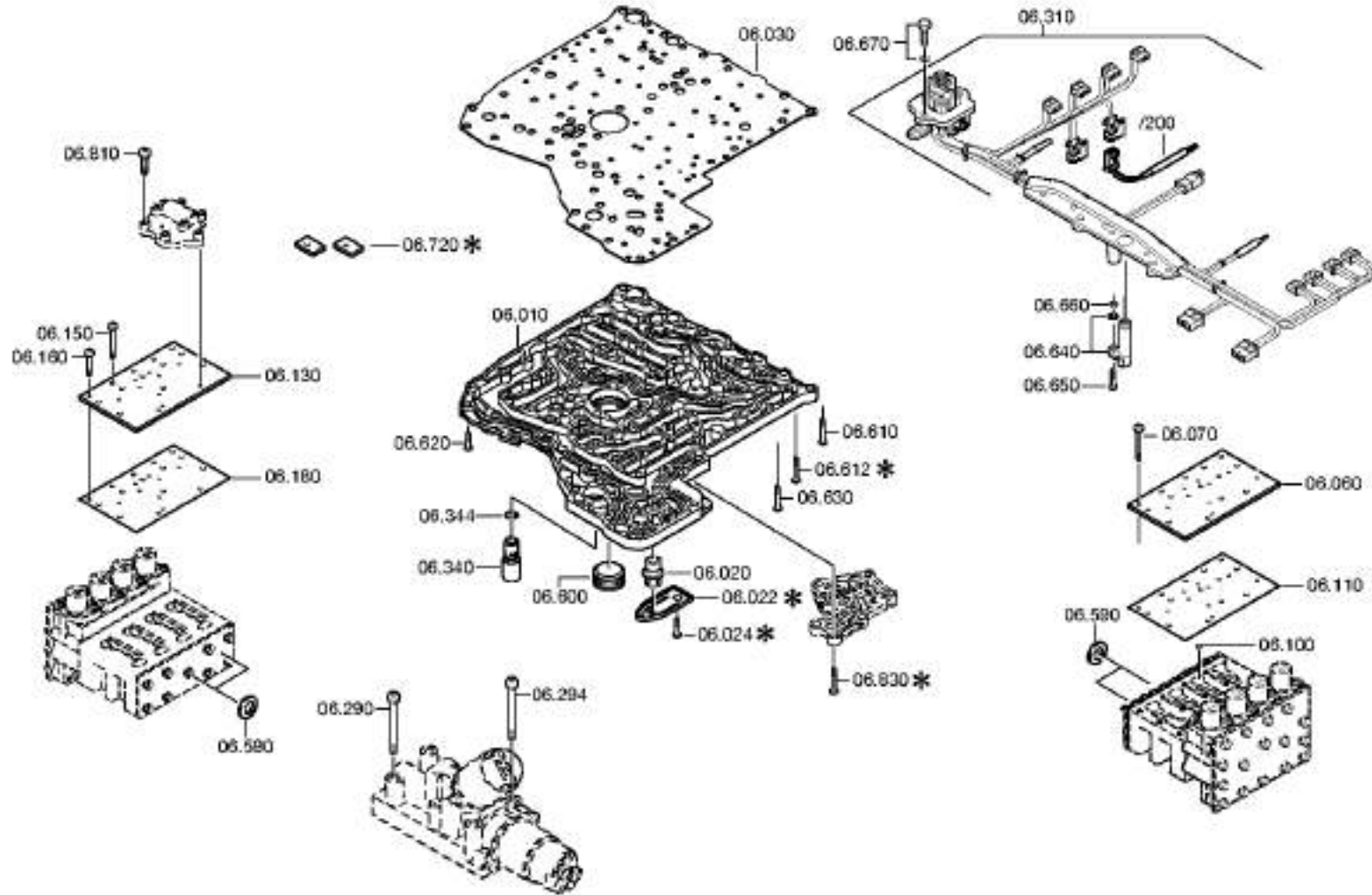
Pos.	Material number	Name	VKF	Amend. no.	Amend. start	Prod. no.	Material feature / tech. info.	OTK	External material no.	ID	Weight	SP
---	---	TORX SCREW	1	C0100794 2710	00.00.0000	00.00.0000	M6X45			3	0,000	
---	0736.101.359	TORX SCREW	1	C0100799 3210	00.00.0000	00.00.0000	M6X45 IN 0736 101 363(2)			5	0,000	
---	0634.313.016	O-RING	1		00.00.0000		4X1,5			5	0,000	
400	4149.206.102	CABLE CONNECT	1		00.00.0000		KPL.ECOMAT 2*N-AB*RET* NEU			3	0,000	
410	4149.303.024	COVER	1		00.00.0000		INDUKTIVGEBER ABTRIEB			5	0,000	
420	0634.316.248	O-RING	1		00.00.0000		40X3			5	0,000	
430	---	HEXAGON BOLT	2		00.00.0000		M6X22			3	0,000	
---	0636.015.489	HEXAGON BOLT	2		00.00.0000		M6X22			5	0,000	
---	0630.001.076	WASHER	2		00.00.0000					5	0,001	
440	4181.212.006	VALVE	1		00.00.0000		KPL. *MX295			3	0,000	
454	---	SCREW PLUG	1		00.00.0000		35N.M*DICHTRING AM18X1 ,5			3	0,000	
---	0636.305.067	SCREW PLUG	1		00.00.0000		M18X1,5			5	0,020	
---	0634.801.057	SEALING RING	1		00.00.0000		18X22		1000002651	4	0,002	
464	---	SCREW PLUG	1		00.00.0000		35N.M*DICHTRING AM18X1 ,5			3	0,000	
---	0636.305.067	SCREW PLUG	1		00.00.0000		M18X1,5			5	0,020	
---	0634.801.057	SEALING RING	1		00.00.0000		18X22		1000002651	4	0,002	

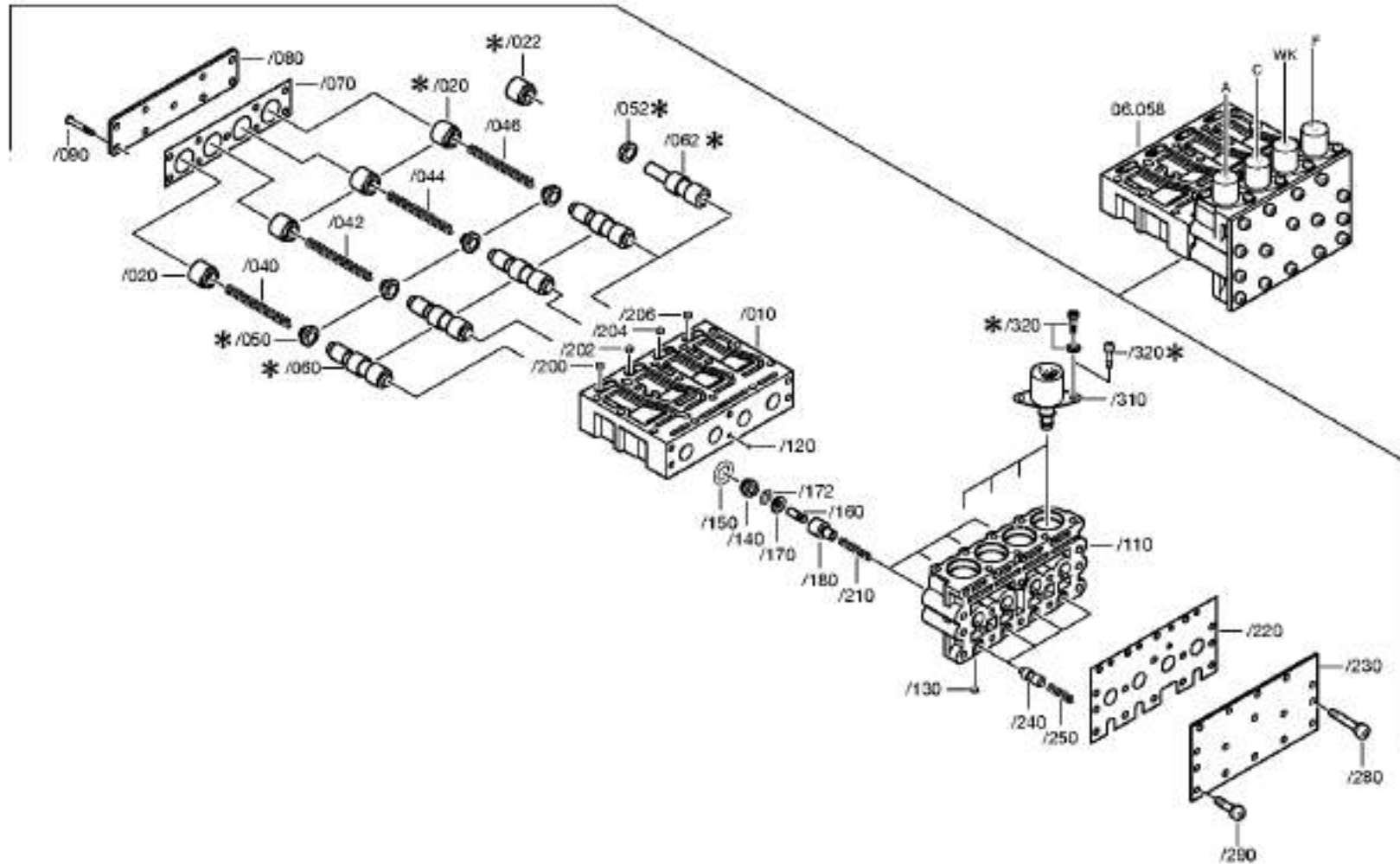
VKF Incidence factor

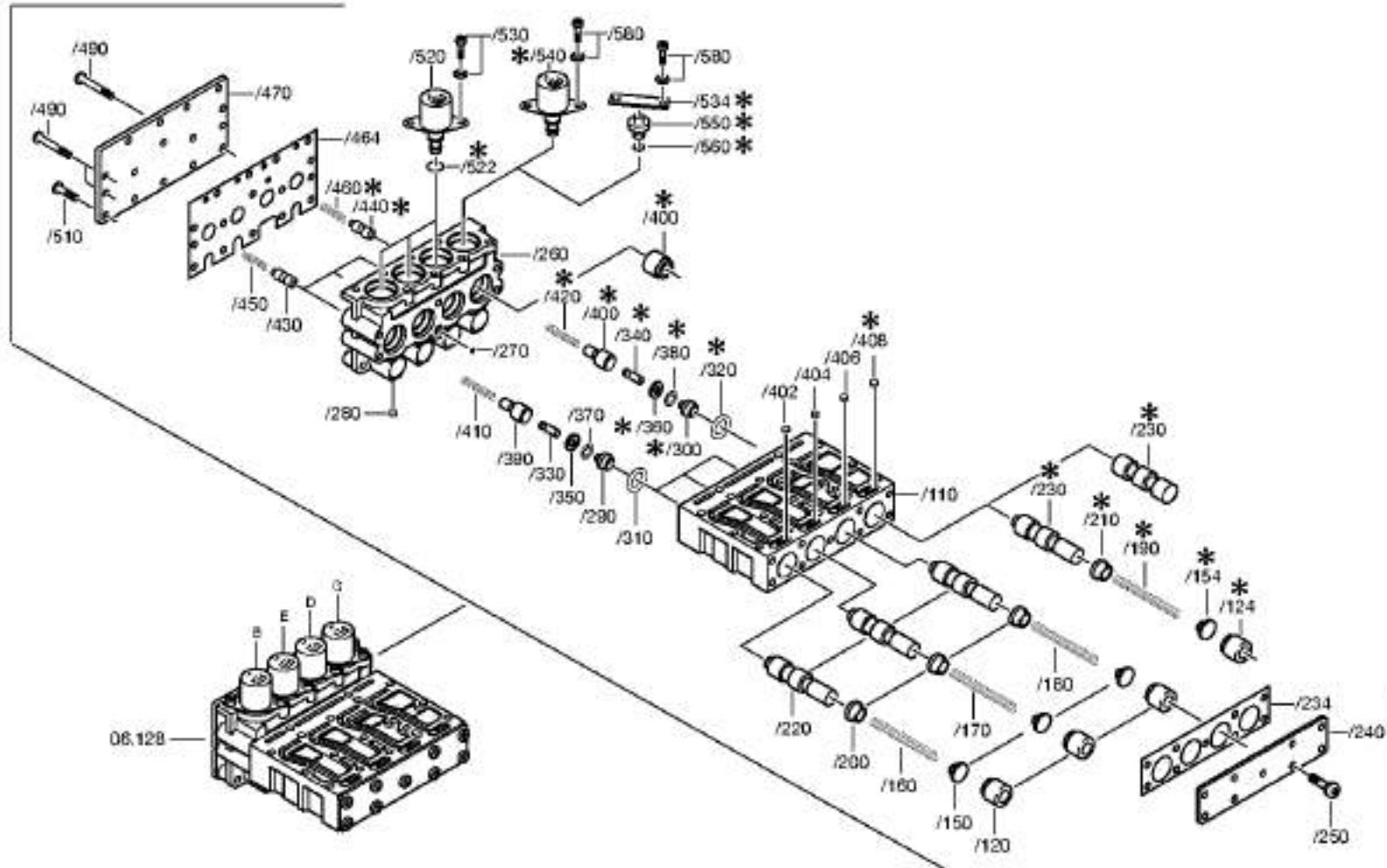
OTK Optional technical kit

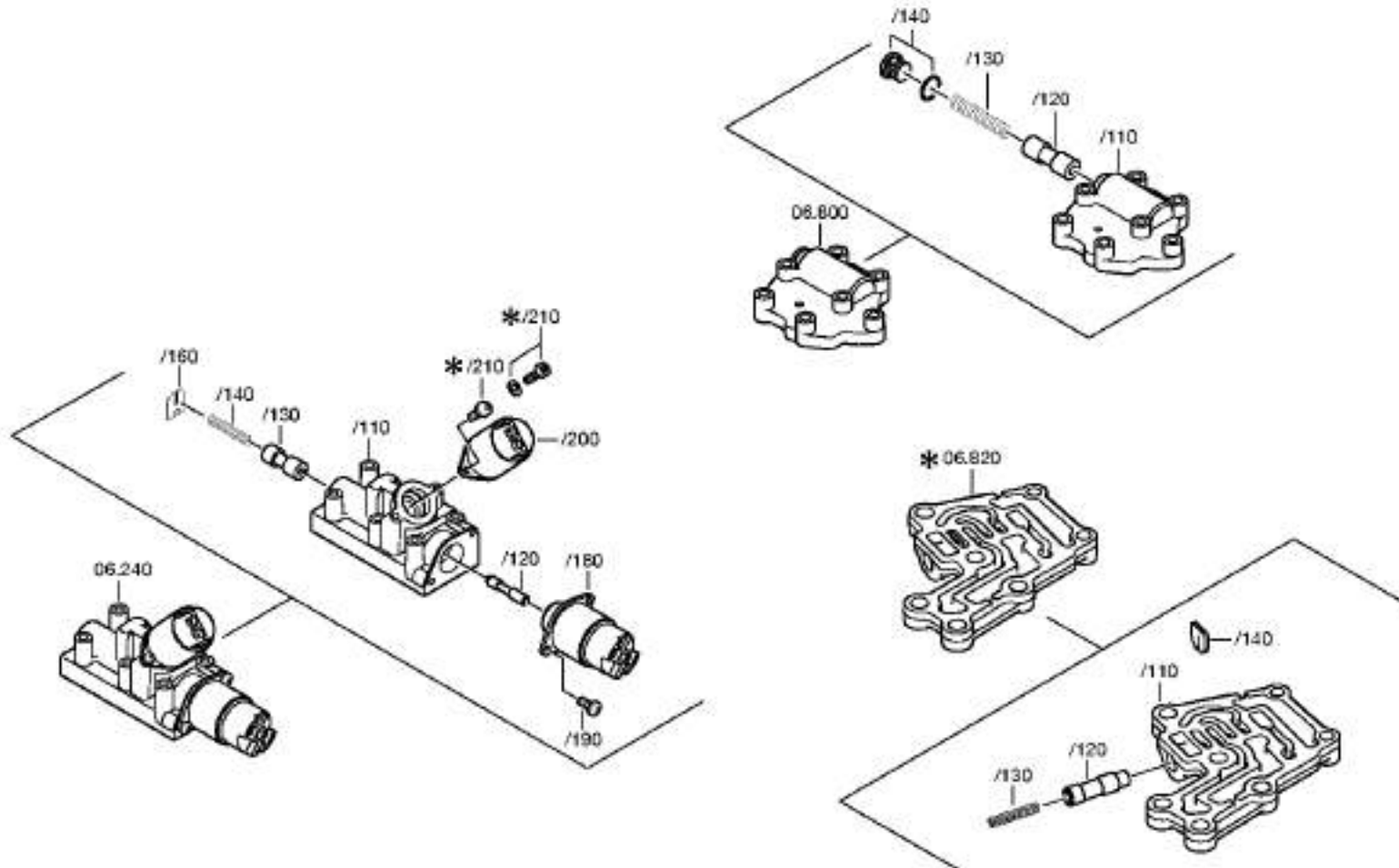
ID Identification (output code)

SP Supplier plant











Pos.	Material number	Name	VKF	Amend. no.	Amend. start	Prod. no.	Material feature / tech. info.	OTK	External material no.	ID	Weight	SP
10	4182.306.005	DUCT PLATE	1		00.00.0000					5	0,000	
20	4149.206.086	DRAIN VALVE	1		00.00.0000		KPL.			3	0,000	
22	4149.306.138	SPRING SHEET	1		00.00.0000		WANDLERENTLEERVENTIL			5	0,000	
24	---	TORX SCREW	1		00.00.0000		M6X16			3	0,000	
---	0736.101.358	TORX SCREW	1	C0100799 3210	00.00.0000	00.00.0000	M6X16 IN 0736 101 363(2)			5	0,000	
30	4182.306.007	INTERMPLATE	1		00.00.0000		DRWK			5	0,000	
58	4182.206.005	VALVE BLOCK	1		00.00.0000		KPL.A*C*WK*F*24V*2P			3	0,000	
/10	4182.306.001	VALVE BLOCK	1		00.00.0000					5	0,000	
/20	4149.306.153	PISTON	3		00.00.0000					5	0,000	
/22	4182.306.002	PISTON	1		00.00.0000					5	0,000	
/40	0732.041.148	COMPRSPRING	1		00.00.0000				500454008	5	0,000	
/42	0732.041.095	COMPRSPRING	1		00.00.0000				5004537	5	0,000	
/44	0732.041.148	COMPRSPRING	1		00.00.0000				500454008	5	0,000	
/46	0732.042.960	COMPRSPRING	1		00.00.0000					5	0,000	
/50	0730.009.221	WASHER	3		00.00.0000		A=4,00 IN 0730 009 296(2)			5	0,000	
/52	4182.306.004	BUSH	1		00.00.0000					5	0,000	
/60	4139.206.415	PISTON	3		00.00.0000		KPL.		500454208	3	0,000	
/62	4182.206.001	PISTON	1		00.00.0000		KPL. ECOMAT 4			3	0,000	
/70	4139.306.541	GASKET	1		00.00.0000				5004 54308	5	0,000	
/80	4139.306.001	COVER PLATE	1		00.00.0000					5	0,000	
/90	---	TORX SCREW	9		00.00.0000		M6X16			3	0,000	
---	0736.101.358	TORX SCREW	9	C0100799 3210	00.00.0000	00.00.0000	M6X16 IN 0736 101 363(2)			5	0,000	
/110	4149.306.241	VALVE STRIP	1	C0100909 4E10	00.00.0000	00.00.0000	WBH/ECOMAT 2PLUS			5	0,000	
/120	0634.313.074	O-RING	1		00.00.0000		5X1,5		5004546	5	0,000	
/130	0635.460.004	BALL	12		00.00.0000		4			5	0,001	
/140	4139.306.219	BUSH	4		00.00.0000		ENTHALT.IN 4139 306 218(2)		5702 22808	5	0,000	
/150	0634.316.217	O-RING	4		00.00.0000		24X3		0260060200	5	1,100	
/160	4139.306.217	PIN	4		00.00.0000					5	0,000	

VKF Incidence factor

OTK Optional technical kit

ID Identification (output code)

SP Supplier plant



Pos.	Material number	Name	VKF	Amend. no.	Amend. start	Prod. no.	Material feature / tech. info.	OTK	External material no.	ID	Weight	SP
/170	0730.002.769	WASHER	4		00.00.0000					5	0,000	
/172	0630.502.007	RETAINING RING	4		00.00.0000		20X1		0047200397	5	0,001	
/180	4139.306.085	PISTON	4		00.00.0000					5	0,000	
/200	---	ORIFICE	1		00.00.0000		D=0,80			3	0,000	
---	0730.361.070	ORIFICE	1		00.00.0000		D=0,8 IN 0730 361 120(2)		VOE11991257	5	0,001	
/202	---	ORIFICE	1		00.00.0000		D=0,70			3	0,000	
---	0730.361.078	ORIFICE	1		00.00.0000		D=0,7 IN 0730 361 120(2)			5	0,000	
/204	---	ORIFICE	1		00.00.0000		D=0,90			3	0,000	
---	0730.361.095	ORIFICE	1		00.00.0000		D=0,9 IN 0730 361 120(2)			5	0,000	
/206	---	ORIFICE	1		00.00.0000		D=1,00			3	0,000	
---	0730.361.077	ORIFICE	1		00.00.0000		A=1,00 IN 0730 361 120(2)			5	1	
/210	0732.041.374	COMPRSPRING	4		00.00.0000				536037A132602	5	0,000	
/220	4139.306.545	GASKET	1		00.00.0000				5004 59808	5	0,000	
/230	4139.306.125	COVER PLATE	1		00.00.0000					5	0,000	
/240	4149.306.068	PISTON	4		00.00.0000					5	0,000	
/250	0732.041.373	COMPRSPRING	4		00.00.0000				500460108	5	0,000	
/280	---	TORX SCREW	5		00.00.0000		M6X65			3	0,000	
---	0736.101.360	TORX SCREW	5	C0100799 3210	00.00.0000	00.00.0000	M6X65 IN 0736 101 363(2)			5	0,000	
/290	---	TORX SCREW	11		00.00.0000		M6X16			3	0,000	
---	0736.101.358	TORX SCREW	11	C0100799 3210	00.00.0000	00.00.0000	M6X16 IN 0736 101 363(2)			5	0,000	
/310	0501.319.200	SOLENOID VALVE	4		00.00.0000		24V 2POL			5	280	
/320	---	CAP SCREW	8	Z0000728 8414	31.12.2010	31.12.2010	M5X12			3	0,000	
---	0636.115.296	CAP SCREW	8	Z0000728 8415	16.09.2010	16.09.2010	M5X12			5	0,000	
---	0630.001.096	WASHER	8	Z0000728 8415	16.09.2010	16.09.2010				5	0,001	
60	4139.306.179	COVER PLATE	1		00.00.0000		ENTHALT.IN 4139 306 177(1)		500650008	5	0,000	
70	---	TORX SCREW	15		00.00.0000		M6X65			3	0,000	

VKF Incidence factor

OTK Optional technical kit

ID Identification (output code)

SP Supplier plant



Pos.	Material number	Name	VKF	Amend. no.	Amend. start	Prod. no.	Material feature / tech. info.	OTK	External material no.	ID	Weight	SP
---	0736.101.360	TORX SCREW	15	C0100799 3210	00.00.0000	00.00.0000	M6X65 IN 0736 101 363(2)			5	0,000	
100	0635.460.077	BALL	1		00.00.0000		5			5	0,000	
110	4139.306.667	GASKET	1		00.00.0000					5	0,000	
128	4149.206.164	VALVE BLOCK	1		00.00.0000		KPL.B*E*D * *24V*2P *ECO 2PLUS			3	0,000	
/110	4149.306.238	VALVE BLOCK	1		00.00.0000		ECOMAT 2PLUS			5	0,000	
/120	4149.306.153	PISTON	3		00.00.0000					5	0,000	
/150	4149.306.127	STOP	3		00.00.0000		ENTHALT.IN 4149 306 126(2)			5	0,000	
/160	0732.042.683	COMPRSPRING	1		00.00.0000					5	0,000	
/170	0732.042.683	COMPRSPRING	1		00.00.0000					5	0,000	
/180	0732.042.683	COMPRSPRING	1		00.00.0000					5	0,000	
/200	0730.009.221	WASHER	3		00.00.0000		A=4,00 IN 0730 009 296(2)			5	0,000	
/220	4139.206.415	PISTON	3		00.00.0000		KPL.		500454208	3	0,000	
/230	4149.306.116	PISTON	1		00.00.0000		G2.1*O.NBS			5	0,000	
/234	4139.306.541	GASKET	1		00.00.0000				5004 54308	5	0,000	
/240	4139.306.001	COVER PLATE	1		00.00.0000					5	0,000	
/250	---	TORX SCREW	9		00.00.0000		M6X16			3	0,000	
---	0736.101.358	TORX SCREW	9	C0100799 3210	00.00.0000	00.00.0000	M6X16 IN 0736 101 363(2)			5	0,000	
/260	4149.306.241	VALVE STRIP	1	C0100909 4E10	00.00.0000	00.00.0000	WBH/ECOMAT 2PLUS			5	0,000	
/270	0634.313.074	O-RING	1		00.00.0000		5X1,5		5004546	5	0,000	
/280	0635.460.004	BALL	12		00.00.0000		4			5	0,001	
/290	4139.306.219	BUSH	3		00.00.0000		ENTHALT.IN 4139 306 218(2)		5702 22808	5	0,000	
/310	0634.316.217	O-RING	3		00.00.0000		24X3		0260060200	5	1,100	
/330	4139.306.217	PIN	3		00.00.0000					5	0,000	
/350	0730.002.769	WASHER	3		00.00.0000					5	0,000	
/370	0630.502.007	RETAINING RING	3		00.00.0000		20X1		0047200397	5	0,001	
/390	4139.306.085	PISTON	3		00.00.0000					5	0,000	
/400	4139.306.429	PISTON	1		00.00.0000					5	0,000	

VKF Incidence factor

OTK Optional technical kit

ID Identification (output code)

SP Supplier plant



Pos.	Material number	Name	VKF	Amend. no.	Amend. start	Prod. no.	Material feature / tech. info.	OTK	External material no.	ID	Weight	SP
/402	---	ORIFICE	1		00.00.0000		D=0,80			3	0,000	
---	0730.361.070	ORIFICE	1		00.00.0000		D=0,8 IN 0730 361 120(2)		VOE11991257	5	0,001	
/404	---	ORIFICE	1		00.00.0000		D=0,80			3	0,000	
---	0730.361.070	ORIFICE	1		00.00.0000		D=0,8 IN 0730 361 120(2)		VOE11991257	5	0,001	
/406	---	ORIFICE	1		00.00.0000		D=0,80			3	0,000	
---	0730.361.070	ORIFICE	1		00.00.0000		D=0,8 IN 0730 361 120(2)		VOE11991257	5	0,001	
/410	0732.041.374	COMPRSPRING	3		00.00.0000				536037A132602	5	0,000	
/430	4149.306.068	PISTON	3		00.00.0000					5	0,000	
/450	0732.041.373	COMPRSPRING	3		00.00.0000				500460108	5	0,000	
/464	4139.306.545	GASKET	1		00.00.0000				5004 59808	5	0,000	
/470	4139.306.125	COVER PLATE	1		00.00.0000					5	0,000	
/490	---	TORX SCREW	5		00.00.0000		M6X65			3	0,000	
---	0736.101.360	TORX SCREW	5	C0100799 3210	00.00.0000	00.00.0000	M6X65 IN 0736 101 363(2)			5	0,000	
/510	---	TORX SCREW	11		00.00.0000		M6X16			3	0,000	
---	0736.101.358	TORX SCREW	11	C0100799 3210	00.00.0000	00.00.0000	M6X16 IN 0736 101 363(2)			5	0,000	
/520	0501.319.200	SOLENOID VALVE	3		00.00.0000		24V 2POL			5	280	
/530	---	CAP SCREW	6	Z0000728 8414	31.12.2010	31.12.2010	M5X12			3	0,000	
---	0636.115.296	CAP SCREW	6	Z0000728 8415	16.09.2010	16.09.2010	M5X12			5	0,000	
---	0630.001.096	WASHER	6	Z0000728 8415	16.09.2010	16.09.2010				5	0,001	
/534	4182.306.014	SHACKLE	1	Z0000151 7610	22.02.2008	22.02.2008				5	0,000	
/550	4139.306.039	PIN	1		00.00.0000					5	0,000	
/560	0634.314.427	O-RING	1		00.00.0000		13X1,5		0260077300	5	0,001	
/580	---	CAP SCREW	2	Z0000728 8414	31.12.2010	31.12.2010	M5X12			3	0,000	

VKF Incidence factor

OTK Optional technical kit

ID Identification (output code)

SP Supplier plant



Pos.	Material number	Name	VKF	Amend. no.	Amend. start	Prod. no.	Material feature / tech. info.	OTK	External material no.	ID	Weight	SP
---	0636.115.296	CAP SCREW	2	Z0000728 8415	16.09.2010	16.09.2010	M5X12			5	0,000	
---	0630.001.096	WASHER	2	Z0000728 8415	16.09.2010	16.09.2010				5	0,001	
130	4149.306.013	COVER PLATE	1		00.00.0000					5	0,000	
150	---	TORX SCREW	7		00.00.0000		M6X65			3	0,000	
---	0736.101.360	TORX SCREW	7	C0100799 3210	00.00.0000	00.00.0000	M6X65 IN 0736 101 363(2)			5	0,000	
160	---	TORX SCREW	1		00.00.0000		M6X80			3	0,000	
---	0736.101.361	TORX SCREW	1	C0100799 3210	00.00.0000	00.00.0000	M6X80 IN 0736 101 363(2)			5	0,000	
180	4149.306.114	GASKET	1		00.00.0000		G2-1			5	0,000	
240	4149.206.088	THROTTLE VALVE	1		00.00.0000		KPL.			3	0,000	
/110	4149.306.129	VALVE BLOCK	1		00.00.0000		G2.1-D1/D8			5	0,000	
/120	4149.306.133	PISTON	1		00.00.0000		ENTHALT.IN 4149 306 132(1)			5	0,000	
/130	4139.306.677	PISTON	1		00.00.0000					5	0,000	
/140	0732.042.923	COMPRSPRING	1	C0100391 5D10	00.00.0000	00.00.0000	LINKSGEWICKELT			5	0,000	
/160	4149.306.131	FIXING PLATE	1		00.00.0000		G2.1			5	0,000	
/180	0501.316.656	SOLENOID	1	C0100528 9B10	00.00.0000	00.00.0000	D1-VENTIL			5	0,000	
/190	---	TORX SCREW	2		00.00.0000		M5X12			3	0,000	
---	0736.101.362	TORX SCREW	2		00.00.0000		M5X12			5	0,000	
/200	0501.319.200	SOLENOID VALVE	1	C0100190 9C10	00.00.0000	00.00.0000	24V 2POL			5	280	
/210	---	CAP SCREW	2	Z0000728 8414	31.12.2010	31.12.2010	M5X12			3	0,000	
---	0636.115.296	CAP SCREW	2	Z0000728 8415	16.09.2010	16.09.2010	M5X12			5	0,000	
---	0630.001.096	WASHER	2	Z0000728 8415	16.09.2010	16.09.2010				5	0,001	
290	---	TORX SCREW	5		00.00.0000		M6X58			3	0,000	

VKF Incidence factor

OTK Optional technical kit

ID Identification (output code)

SP Supplier plant



Pos.	Material number	Name	VKF	Amend. no.	Amend. start	Prod. no.	Material feature / tech. info.	OTK	External material no.	ID	Weight	SP
---	0736.101.557	TORX SCREW	5		00.00.0000		M6X58			5	0,000	
294	---	TORX SCREW	1		00.00.0000		M6X80			3	0,000	
---	0736.101.361	TORX SCREW	1	C0100799 3210	00.00.0000	00.00.0000	M6X80 IN 0736 101 363(2)			5	0,000	
310	4149.206.098	WIRING HARNESS	1		00.00.0000		KPL.ECOMAT 2*5/6SG *2-NTC			3	0,000	
/200	4149.206.107	TEMPERATURE SENSOR	1		00.00.0000		KPL.L1=155MM*2-NTC/SLK-ST.			3	0,000	
340	4139.206.545	CONVERTER VALVE	1		00.00.0000		KPL.		500453408	3	0,000	
344	0630.513.205	SNAP RING	1		00.00.0000					5	0,000	
590	4139.306.673	SOLENOID	4		00.00.0000					5	0,000	
600	---	SCREW PLUG	1		00.00.0000		100N.M*O.DICHTRING M42X2			3	0,000	
---	0636.301.069	SCREW PLUG	1	C0100117 4C10	00.00.0000	00.00.0000	M42X2			5	0,000	
610	---	TORX SCREW	16		00.00.0000		M8X43			3	0,000	
---	0736.617.075	TORX SCREW	16		00.00.0000		M8X43 IN 0736 617 056(2)			5	0,000	
612	---	TORX SCREW	5		00.00.0000		M8X48			3	0,000	
---	0736.617.069	TORX SCREW	5		00.00.0000		M8X48 IN 0736 617 056(2)			5	0,000	
620	---	TORX SCREW	9		00.00.0000		M8X35			3	0,000	
---	0736.617.066	TORX SCREW	9		00.00.0000		M8X35 IN 0736 617 056(2)			5	0,000	
630	---	TORX SCREW	9		00.00.0000		M8X43			3	0,000	
---	0736.617.075	TORX SCREW	9		00.00.0000		M8X43 IN 0736 617 056(2)			5	0,000	
640	---	INDTRANSMITTER	1		00.00.0000		SCHEIBE			3	0,000	
---	0501.314.432	INDTRANSMITTER	1		00.00.0000					5	0,028	
---	---	WASHER	1		00.00.0000		S= 0,08- 6,00(ABSTUFUNG:0,10MM)			3	0,000	
---	0730.008.442	WASHER	1		00.00.0000		A=6,00 IN 0730 008 416(2)			5	0,000	
---	0730.008.441	WASHER	1		00.00.0000		A=5,80 IN 0730 008 416(2)			5	0,000	
---	0730.008.440	WASHER	1		00.00.0000		A=5,60 IN 0730 008 416(2)			5	0,000	
---	0730.008.439	WASHER	1		00.00.0000		A=5,40 IN 0730 008 416(2)			5	0,000	

VKF Incidence factor

OTK Optional technical kit

ID Identification (output code)

SP Supplier plant



Pos.	Material number	Name	VKF	Amend. no.	Amend. start	Prod. no.	Material feature / tech. info.	OTK	External material no.	ID	Weight	SP
---	0730.008.438	WASHER	1		00.00.0000		A=5,20 IN 0730 008 416(2)			5	0,000	
---	0730.008.437	WASHER	1		00.00.0000		A=5,00 IN 0730 008 416(2)			5	0,000	
---	0730.008.436	WASHER	1		00.00.0000		A=4,80 IN 0730 008 416(2)			5	0,000	
---	0730.008.435	WASHER	1		00.00.0000		A=4,60 IN 0730 008 416(2)			5	0,000	
---	0730.008.434	WASHER	1		00.00.0000		A=4,40 IN 0730 008 416(2)			5	0,000	
---	0730.008.433	WASHER	1		00.00.0000		A=4,20 IN 0730 008 416(2)			5	0,000	
---	0730.008.432	WASHER	1		00.00.0000		A=4,00 IN 0730 008 416(2)			5	0,000	
---	0730.008.431	WASHER	1		00.00.0000		A=3,80 IN 0730 008 416(2)			5	0,000	
---	0730.008.430	WASHER	1		00.00.0000		A=3,60 IN 0730 008 416(2)			5	0,000	
---	0730.008.429	WASHER	1		00.00.0000		A=3,20 IN 0730 008 416(2)			5	0,000	
---	0730.008.428	WASHER	1		00.00.0000		A=3,00 IN 0730 008 416(2)			5	0,000	
---	0730.009.198	WASHER	1		00.00.0000		A=2,90 IN 0730 008 416(2)			5	0,000	
---	0730.008.427	WASHER	1		00.00.0000		A=2,80 IN 0730 008 416(2)			5	0,000	
---	0730.009.197	WASHER	1		00.00.0000		A=2,70 IN 0730 008 416(2)			5	0,000	
---	0730.008.426	WASHER	1		00.00.0000		A=2,60 IN 0730 008 416(2)			5	2,500	
---	0730.009.196	WASHER	1		00.00.0000		A=2,50 IN 0730 008 416(2)			5	0,002	
---	0730.008.425	WASHER	1		00.00.0000		A=2,40 IN 0730 008 416(2)			5	2,200	
---	0730.008.424	WASHER	1		00.00.0000		A=2,20 IN 0730 008 416(2)			5	2	
---	0730.009.195	WASHER	1		00.00.0000		A=2,10 IN 0730 008 416(2)			5	0,010	
---	0730.008.423	WASHER	1		00.00.0000		A=2,00 IN 0730 008 416(2)			5	2	
---	0730.009.194	WASHER	1		00.00.0000		A=1,90 IN 0730 008 416(2)			5	0,002	
---	0730.008.422	WASHER	1		00.00.0000		A=1,80 IN 0730 008 416(2)			5	1,800	
---	0730.009.193	WASHER	1		00.00.0000		A=1,70 IN 0730 008 416(2)			5	0,010	
---	0730.008.421	WASHER	1		00.00.0000		A=1,60 IN 0730 008 416(2)			5	1,500	
---	0730.009.192	WASHER	1		00.00.0000		A=1,50 IN 0730 008 416(2)			5	0,001	
---	0730.008.420	WASHER	1		00.00.0000		A=1,40 IN 0730 008 416(2)			5	0,002	
---	0730.009.191	WASHER	1		00.00.0000		A=1,30 IN 0730 008 416(2)			5	0,001	
---	0730.008.419	WASHER	1		00.00.0000		A=1,20 IN 0730 008 416(2)			5	1,200	
---	0730.008.418	WASHER	1		00.00.0000		A=1,00 IN 0730 008 416(2)			5	1	
---	0730.008.417	WASHER	1		00.00.0000		A=0,80 IN 0730 008 416(2)			5	0,000	
650	---	TORX SCREW	1		00.00.0000		M6X45			3	0,000	

VKF Incidence factor

OTK Optional technical kit

ID Identification (output code)

SP Supplier plant



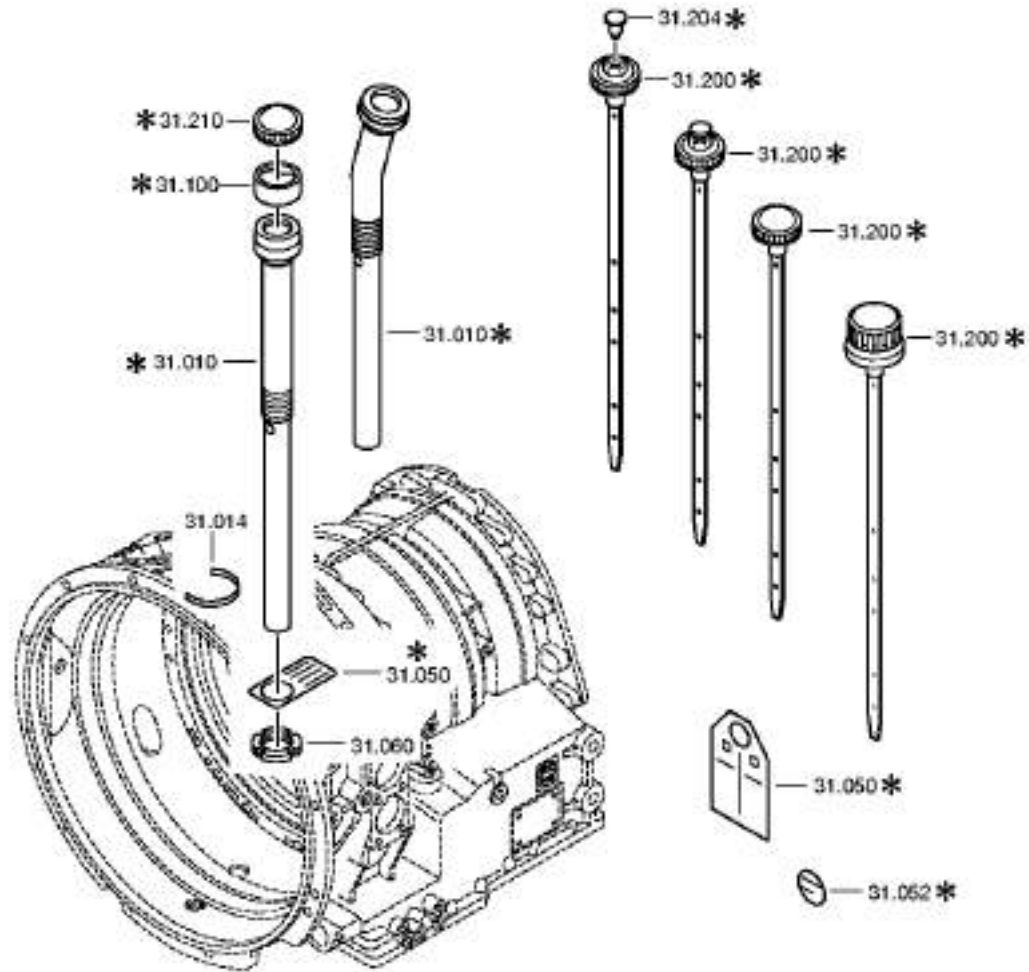
Pos.	Material number	Name	VKF	Amend. no.	Amend. start	Prod. no.	Material feature / tech. info.	OTK	External material no.	ID	Weight	SP
---	0736.101.359	TORX SCREW	1	C0100799 3210	00.00.0000	00.00.0000	M6X45 IN 0736 101 363(2)			5	0,000	
660	0634.313.016	O-RING	1		00.00.0000		4X1,5			5	0,000	
670	---	HEXAGON BOLT	2	Z0000705 9115	01.01.2012	01.01.2012	M8X28			3	0,000	
---	0636.016.414	HEXAGON BOLT	2	Z0000705 9116	15.07.2010	15.07.2010	M8X28			5	0,000	
---	0630.100.295	WASHER	2	Z0000715 8415	31.12.2010	31.12.2010				5	0,000	
800	4149.206.034	VALVE BLOCK	1		00.00.0000		KPL.F2			3	0,000	
/110	4149.306.051	VALVE HOUSING	1		00.00.0000		F2 UMSCHALTVENTIL/ECO2			5	0,000	
/120	4139.306.677	PISTON	1		00.00.0000					5	0,000	
/130	0732.042.923	COMPRSPRING	1	C0100337 8D10	00.00.0000	00.00.0000	LINKSGEWICKELT			5	0,000	
/140	---	SCREW PLUG	1		00.00.0000		40N.M*DICHTRING M16X1,5			3	0,000	
---	0636.302.065	SCREW PLUG	1		00.00.0000		M16X1,5		VOE8551087	5	15	
---	0634.801.045	SEALING RING	1		00.00.0000		16X20		0760300597	5	0,010	
810	---	TORX SCREW	7		00.00.0000		M6X80			3	0,000	
---	0736.101.361	TORX SCREW	7	C0100799 3210	00.00.0000	00.00.0000	M6X80 IN 0736 101 363(2)			5	0,000	
820	4182.206.008	VALVE BLOCK	1		00.00.0000		UMSCHALTVENTIL DRWK			3	0,000	
/110	4182.306.006	VALVE HOUSING	1		00.00.0000		UMSCHLTV. DRWK			5	0,000	
/120	4149.306.068	PISTON	1		00.00.0000					5	0,000	
/130	0732.041.373	COMPRSPRING	1		00.00.0000				500460108	5	0,000	
/140	4182.306.008	FIXING PLATE	1		00.00.0000		UMSCHLTV. DRWK			5	0,000	
830	---	TORX SCREW	2		00.00.0000		M6X30			3	0,000	
---	0736.101.374	TORX SCREW	2		00.00.0000		M6X30 IN 0736 101 363(2)			5	0,000	

VKF Incidence factor

OTK Optional technical kit

ID Identification (output code)

SP Supplier plant





Pos.	Material number	Name	VKF	Amend. no.	Amend. start	Prod. no.	Material feature / tech. info.	OTK	External material no.	ID	Weight	SP
10	4139.231.030	FILLER TUBE	1		00.00.0000		KPL. IN 4139 231 033(2)		5004427	3	0,000	
14	0634.307.728	SEALING TAPE	300		00.00.0000					5	0,000	
50	0501.321.332	TAG	1		00.00.0000		ECOMAT MIT ZUSATZKUEHLUNG			5	0,000	
60	---	SLOTTED NUT	1		00.00.0000		M30X1,5KM6			3	0,000	
---	0637.513.003	SLOTTED NUT	1		00.00.0000		M30X1,5		5005 42308	5	0,000	
200	0501.214.851	OIL DIPSTICK	1	C0100131 3E10	00.00.0000	00.00.0000	KPL. *HUNGER 1780-01-00			5	0,000	
500	4149.231.012	OIL SUMP	1	C0100948 8B10	00.00.0000	00.00.0000	KPL.			3	0,000	
510	4139.301.579	GASKET	1		00.00.0000				500462508	5	0,000	
520	---	HEXAGON BOLT	25	Z0000705 1816	01.01.2012	01.01.2012	M8X60			3	0,000	
---	0636.011.758	HEXAGON BOLT	25	Z0000705 1811	06.08.2010	06.08.2010	M8X60			5	0,000	
---	0630.100.295	WASHER	25	Z0000715 8415	31.12.2010	31.12.2010				5	0,000	
530	---	HEXAGON BOLT	10	Z0000705 2912	01.01.2012	01.01.2012	M8X80			3	0,000	
---	0636.011.762	HEXAGON BOLT	10	Z0000705 2910	12.08.2010	12.08.2010	M8X80			5	0,000	
---	0630.100.295	WASHER	10	Z0000715 8413	31.12.2010	31.12.2010				5	0,000	
540	---	HEXAGON BOLT	2	Z0000705 1816	01.01.2012	01.01.2012	M8X60			3	0,000	
---	0636.011.758	HEXAGON BOLT	2	Z0000705 1811	06.08.2010	06.08.2010	M8X60			5	0,000	
---	0634.803.003	SEALING RING	2	Z0000705 1811	06.08.2010	06.08.2010	8X15X1		5004806	5	0,000	
550	---	SCREW PLUG	1		00.00.0000		50N.M*DICHTRING M22X1,5			3	0,000	
---	0636.302.045	SCREW PLUG	1		00.00.0000		M22X1,5		VOE11144223	5	0,040	
---	0634.801.074	SEALING RING	1		00.00.0000		22X27		1000000307	5	2,100	

VKF Incidence factor

OTK Optional technical kit

ID Identification (output code)

SP Supplier plant



Pos.	Material number	Name	VKF	Amend. no.	Amend. start	Prod. no.	Material feature / tech. info.	OTK	External material no.	ID	Weight	SP
560	0634.313.354	O-RING	1		00.00.0000		34X5		5006404	5	0,000	
570	4139.331.127	SUCTION TUBE	1		00.00.0000				579917008	5	0,000	
572	4139.301.617	TAB WASHER	1		00.00.0000				579916608	5	0,000	
574	0636.015.681	HEXAGON BOLT	2	Z0000707 2814	01.01.2012	01.01.2012	M8X18			5	0,000	
580	0501.210.798	SCREEN INSERT	1		00.00.0000		KPL.			5	0,000	
590	0634.313.018	O-RING	1		00.00.0000		82X3			5	0,000	
600	4139.331.145	COVER	1		00.00.0000					5	0,000	

VKF Incidence factor

OTK Optional technical kit

ID Identification (output code)

SP Supplier plant



Pos.	Material number	Name	VKF	Amend. no.	Amend. start	Prod. no.	Material feature / tech. info.	OTK	External material no.	ID	Weight	SP
20	---	SCREW PLUG	1		00.00.0000		200N.M*DICHTRING M33X2			3	0,000	
---	0636.302.099	SCREW PLUG	1		00.00.0000		M33X2			5	0,000	
---	0634.801.227	SEALING RING	1		00.00.0000		33X39		000730000012	5	4,700	
150	---	CAP SCREW	1		00.00.0000		M16			3	0,000	
---	0736.101.046	CAP SCREW	1		00.00.0000		M16		5006545	5	0,000	
170	---	WASHER	1		00.00.0000		S= 1,00- 2,60(ABSTUFUNG:0, 17MM)			3	0,000	
---	0730.005.601	WASHER	1		00.00.0000		A=2,60 IN 0730 005 591(2)			5	0,000	
---	0730.005.600	WASHER	1		00.00.0000		A=2,50 IN 0730 005 591(2)			5	0,000	
---	0730.005.599	WASHER	1		00.00.0000		A=2,00 IN 0730 005 591(2)			5	0,000	
---	0730.005.598	WASHER	1		00.00.0000		A=1,90 IN 0730 005 591(2)			5	0,000	
---	0730.005.597	WASHER	1		00.00.0000		A=1,80 IN 0730 005 591(2)			5	0,000	
---	0730.005.596	WASHER	1		00.00.0000		A=1,70 IN 0730 005 591(2)			5	0,000	
---	0730.005.595	WASHER	1		00.00.0000		A=1,50 IN 0730 005 591(2)			5	0,000	
---	0730.005.594	WASHER	1		00.00.0000		A=1,20 IN 0730 005 591(2)			5	0,000	
---	0730.005.593	WASHER	1		00.00.0000		A=1,10 IN 0730 005 591(2)			5	0,000	
---	0730.005.592	WASHER	1		00.00.0000		A=1,00 IN 0730 005 591(2)			5	0,000	
450	---	WASHER	1		00.00.0000		S= 0,50- 1,00(ABSTUFUNG:0, 25MM)			3	0,000	
---	0730.003.074	WASHER	1		00.00.0000		A=1,00 IN 0730 106 995(2)		5006 12308	5	0,000	
---	0730.106.997	WASHER	1		00.00.0000		A=0,80 IN 0730 106 995(2)			5	0,000	
---	0730.106.996	WASHER	1		00.00.0000		A=0,50 IN 0730 106 995(2)			5	0,000	
500	0501.007.662	CONVERTER	1		00.00.0000					3	0,000	
/10	0501.214.189	TURBINE WHEEL	1	C0100349 3D10	00.00.0000	00.00.0000	KPL.			5	0,000	
/50	0735.368.102	AXROLLER BEAR	1		00.00.0000		65,0X92,0X18,0 FA.INA			5	0,000	
/60	4166.236.138	STATOR	1		00.00.0000		KPL.			5	0,000	
/70	0635.290.051	AXIAL WASHER	2		00.00.0000		85X110X1		8900127052	5	28	
/80	4166.336.059	FREE WHEEL RING	1		00.00.0000		ZFF		5006569	5	0,000	
/90	0635.330.035	BALL BEARING	2		00.00.0000		70X110X13			5	0,433	
/120	0735.470.101	ROLLER	16		00.00.0000		10,0X30,0 FA.INA		5004635	5	0,000	

VKF Incidence factor

OTK Optional technical kit

ID Identification (output code)

SP Supplier plant



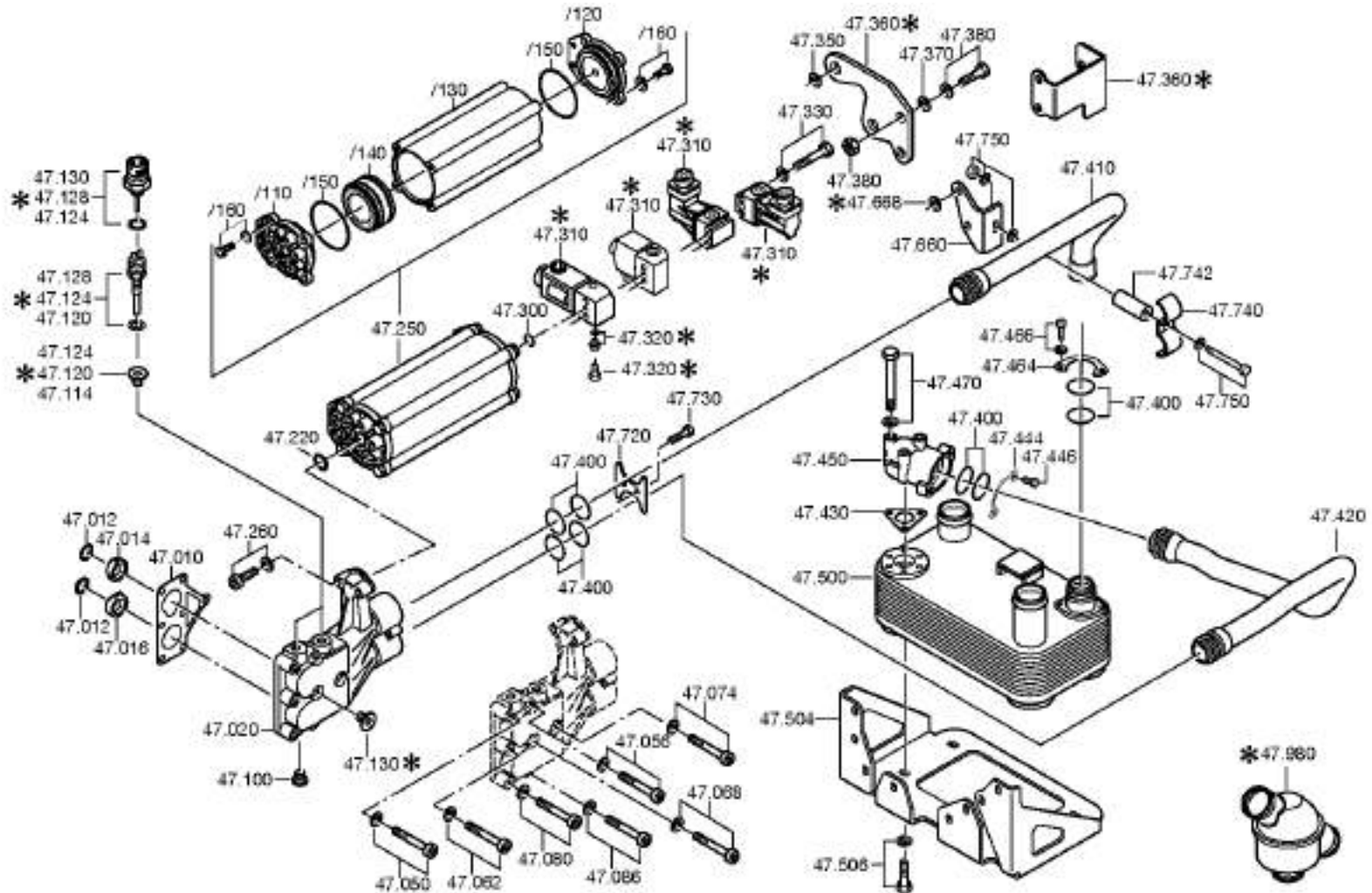
Pos.	Material number	Name	VKF	Amend. no.	Amend. start	Prod. no.	Material feature / tech. info.	OTK	External material no.	ID	Weight	SP
/130	0501.318.648	PUMP WHEEL	1		00.00.0000					5	0,000	
/140	0501.320.295	CIRCUIT COVER	1		00.00.0000					5	0,000	
/142	0631.306.158	CYLINDRICAL PIN	2		00.00.0000		8X14			5	0,000	
/150	0501.320.302	PLATE PISTON	1		00.00.0000					5	0,000	
/152	0750.106.074	CUP SPRING	1		00.00.0000					3	0,000	
/160	0501.213.150	ICLUTCH DISC	2		00.00.0000		KPL.			5	0,000	
/170	---	OCLUTCH DISC	2		00.00.0000		S= 3,50- 4,00(ABSTUFUNG:0, 50MM)			3	0,000	
---	0501.320.305	OCLUTCH DISC	2		00.00.0000		A=3,5			5	0,000	
---	0501.320.306	OCLUTCH DISC	2		00.00.0000		A=4,0			5	0,000	
/174	0501.322.005	CYLINDRICAL PIN	12	C0100349 4D10	00.00.0000	00.00.0000				5	0,020	
/180	0501.321.930	END SHIM	1	C0100132 5D10	00.00.0000	00.00.0000				5	0,000	
/190	0501.320.312	SEALING RING	1		00.00.0000					5	0,000	
/200	0501.320.311	SEALING RING	1		00.00.0000					5	0,000	
/230	0634.402.140	R-RING	1		00.00.0000		50X2,5		00412711	5	4	
/240	0636.101.192	CAP SCREW	12		00.00.0000		M8X35			5	17,200	
/250	0634.313.840	O-RING	1		00.00.0000		390X3			5	0,000	
/260	0750.116.266	BALL BEARING	1		00.00.0000		16010-JC3		8 8290 0	3	0,000	
/270	0635.290.050	AXIAL WASHER	1		00.00.0000		65X90X1			5	0,000	
/280	0635.900.523	AXNEEDLE CAGE	1		00.00.0000		65X90X3		8 8289 0	5	0,000	
/290	0635.900.521	CASING DISC	1		00.00.0000		67X90X5,25		8 8287 0	5	0,000	
/310	---	CAP SCREW	36		00.00.0000		M8X20			3	0,000	
---	0636.101.833	CAP SCREW	36		00.00.0000		M8X20			5	0,000	
/480	0501.317.956	PROTECTING CAP	1		00.00.0000					5	0,000	
/490	0501.317.957	PROTECTING CAP	1		00.00.0000					5	0,000	

VKF Incidence factor

OTK Optional technical kit

ID Identification (output code)

SP Supplier plant





Pos.	Material number	Name	VKF	Amend. no.	Amend. start	Prod. no.	Material feature / tech. info.	OTK	External material no.	ID	Weight	SP
10	4139.301.635	GASKET	1		00.00.0000					5	0,000	
12	0634.313.628	O-RING	2		00.00.0000		41X5		579917208	5	0,000	
14	4139.301.613	INSERT	1		00.00.0000				579917108	5	0,000	
16	4139.301.614	INSERT	1		00.00.0000				579916708	5	0,000	
20	4139.347.308	CONNPART	1		00.00.0000		ENTHALT.IN 4139 347 213(0)			5	0,000	
50	---	CAP SCREW	1	Z0000729 4713	31.12.2010	31.12.2010	M8X45			3	0,000	
---	0636.115.292	CAP SCREW	1	Z0000729 4714	21.09.2010	21.09.2010	M8X45			5	0,000	
---	0630.100.295	WASHER	1	Z0000715 8415	31.12.2010	31.12.2010				5	0,000	
56	---	CAP SCREW	1	Z0000729 4713	31.12.2010	31.12.2010	M8X45			3	0,000	
---	0636.115.292	CAP SCREW	1	Z0000729 4714	21.09.2010	21.09.2010	M8X45			5	0,000	
---	0630.100.295	WASHER	1	Z0000715 8415	31.12.2010	31.12.2010				5	0,000	
62	---	CAP SCREW	1	Z0000729 4713	31.12.2010	31.12.2010	M8X45			3	0,000	
---	0636.115.292	CAP SCREW	1	Z0000729 4714	21.09.2010	21.09.2010	M8X45			5	0,000	
---	0630.100.295	WASHER	1	Z0000715 8415	31.12.2010	31.12.2010				5	0,000	
68	---	CAP SCREW	1	Z0000729 4713	31.12.2010	31.12.2010	M8X45			3	0,000	
---	0636.115.292	CAP SCREW	1	Z0000729 4714	21.09.2010	21.09.2010	M8X45			5	0,000	
---	0630.100.295	WASHER	1	Z0000715 8415	31.12.2010	31.12.2010				5	0,000	
74	---	CAP SCREW	1	Z0000729 4713	31.12.2010	31.12.2010	M8X45			3	0,000	

VKF Incidence factor

OTK Optional technical kit

ID Identification (output code)

SP Supplier plant



Pos.	Material number	Name	VKF	Amend. no.	Amend. start	Prod. no.	Material feature / tech. info.	OTK	External material no.	ID	Weight	SP
---	0636.115.292	CAP SCREW	1	Z0000729 4714	21.09.2010	21.09.2010	M8X45			5	0,000	
---	0630.100.295	WASHER	1	Z0000715 8415	31.12.2010	31.12.2010				5	0,000	
80	---	CAP SCREW	1	Z0000729 4713	31.12.2010	31.12.2010	M8X45			3	0,000	
---	0636.115.292	CAP SCREW	1	Z0000729 4714	21.09.2010	21.09.2010	M8X45			5	0,000	
---	0630.100.295	WASHER	1	Z0000715 8415	31.12.2010	31.12.2010				5	0,000	
86	---	CAP SCREW	1	Z0000729 4713	31.12.2010	31.12.2010	M8X45			3	0,000	
---	0636.115.292	CAP SCREW	1	Z0000729 4714	21.09.2010	21.09.2010	M8X45			5	0,000	
---	0630.100.295	WASHER	1	Z0000715 8415	31.12.2010	31.12.2010				5	0,000	
100	0501.326.079	SCREW PLUG	1	Z0000189 9810	26.08.2009	26.08.2009	M10X1			5	0,000	
120	0501.326.080	SCREW PLUG	1	Z0000190 0110	04.07.2009	04.07.2009	M14X1,5			5	0,000	
124	---	TEMPERATURE SENSOR	1	C0100672 3E10	00.00.0000	00.00.0000				3	0,000	
---	0501.322.530	TEMPERATURE SENSOR	1		00.00.0000					5	0,000	
---	0634.801.151	SEALING RING	1		00.00.0000		14X20		VOE14558096	5	2	
220	0634.313.057	O-RING	1		00.00.0000		18X2,5			5	0,000	
250	0501.210.976	ACCUMULATOR	1		00.00.0000		KPL. IN 0501 210 975(1)			5	0,000	
/110	0501.316.662	COVER	1		00.00.0000					5	0,000	
/120	0501.316.665	COVER	1		00.00.0000					5	0,000	
/130	0501.315.536	PIPE	1		00.00.0000		SPEICHER			5	0,000	
/140	0501.210.277	PISTON	1		00.00.0000		KPL.			5	0,000	
/150	0634.313.267	O-RING	2		00.00.0000		80X2,5			5	0,000	

VKF Incidence factor

OTK Optional technical kit

ID Identification (output code)

SP Supplier plant



Pos.	Material number	Name	VKF	Amend. no.	Amend. start	Prod. no.	Material feature / tech. info.	OTK	External material no.	ID	Weight	SP
/160	---	HEXAGON BOLT	8	Z0000705 6518	31.12.2010	31.12.2010	M10X35			3	0,000	
---	0636.015.682	HEXAGON BOLT	8	Z0000705 6519	01.09.2010	01.09.2010	M10X35			5	0,000	
---	0630.100.294	WASHER	8	Z0000715 8112	31.12.2010	31.12.2010				5	0,000	
260	---	CAP SCREW	2		00.00.0000		M8X50			3	0,000	
---	0636.101.663	CAP SCREW	2		00.00.0000		M8X50		8900120482	5	22,700	
---	0630.100.295	WASHER	2	Z0000715 8415	31.12.2010	31.12.2010				5	0,000	
300	0634.316.159	O-RING	1		00.00.0000		7X2			5	0,000	
310	0501.316.527	SOLENOID VALVE	1		00.00.0000					5	0,000	
320	---	SCREW PLUG	1		00.00.0000		25N.M*DICHTRING M12X1,5			3	0,000	
---	0636.304.047	SCREW PLUG	1		00.00.0000		M12X1,5			5	0,020	
---	0634.801.205	SEALING RING	1		00.00.0000		12X15,5		0760305797	5	0,008	
330	---	HEXAGON BOLT	2	Z0000705 1816	01.01.2012	01.01.2012	M8X60			3	0,000	
---	0636.011.758	HEXAGON BOLT	2	Z0000705 1811	06.08.2010	06.08.2010	M8X60			5	0,000	
---	0630.100.295	WASHER	2	Z0000715 8415	31.12.2010	31.12.2010				5	0,000	
350	---	SHIM	1		00.00.0000		S= 0,20- 2,50(ABSTUFUNG:0,46MM)			3	0,000	
---	0730.001.419	SHIM	1		00.00.0000		A=2,50 IN 0730 004 423(2)			5	0,000	
---	0730.001.420	SHIM	1		00.00.0000		A=2,00 IN 0730 004 423(2)			5	0,000	
---	0730.002.331	SHIM	1		00.00.0000		A=1,50 IN 0730 004 423(2)			5	0,000	
---	0730.004.424	SHIM	1		00.00.0000		A=0,80 IN 0730 004 423(2)			5	0,000	
---	0730.001.421	SHIM	1		00.00.0000		A=0,50 IN 0730 004 423(2)			5	0,000	
---	0730.001.422	SHIM	1		00.00.0000		A=0,30 IN 0730 004 423(2)			5	0,000	
---	0730.001.423	SHIM	1		00.00.0000		A=0,20 IN 0730 004 423(2)			5	0,000	
360	4139.347.244	FIXING PLATE	1		00.00.0000					5	0,000	

VKF Incidence factor

OTK Optional technical kit

ID Identification (output code)

SP Supplier plant



Pos.	Material number	Name	VKF	Amend. no.	Amend. start	Prod. no.	Material feature / tech. info.	OTK	External material no.	ID	Weight	SP
370	---	WASHER	1		00.00.0000		S= 0,20- 1,20(ABSTUFUNG:0, 20MM)			3	0,000	
---	0730.003.290	WASHER	1		00.00.0000		A=1,20 IN 0730 003 124(2)			5	0,000	
---	0730.003.287	WASHER	1		00.00.0000		A=1,00 IN 0730 003 124(2)			5	0,002	
---	0730.003.286	WASHER	1		00.00.0000		A=0,80 IN 0730 003 124(2)			5	0,000	
---	0730.003.127	WASHER	1		00.00.0000		A=0,60 IN 0730 003 124(2)			5	0,000	
---	0730.003.126	WASHER	1		00.00.0000		A=0,40 IN 0730 003 124(2)			5	0,000	
---	0730.003.125	WASHER	1		00.00.0000		A=0,20 IN 0730 003 124(2)			5	0,000	
380	---	BOLT+NUT	2	Z0000705 6717	01.01.2012	01.01.2012	M8X25			3	0,000	
---	0636.016.401	HEXAGON BOLT	2	Z0000705 6710	30.08.2010	30.08.2010	M8X25			5	0,000	
---	0630.100.295	WASHER	2	Z0000715 8415	31.12.2010	31.12.2010				5	0,000	
---	0637.006.280	HEXAGON NUT	2	Z0000728 2712	01.01.2012	01.01.2012	M8			5	0,000	
400	0634.313.600	O-RING	8		00.00.0000		38X4			5	0,000	
410	4139.347.489	PIPE	1	C0100843 9D10	00.00.0000	00.00.0000				5	0,000	
420	4139.347.490	PIPE	1	C0100844 0D10	00.00.0000	00.00.0000				5	0,000	
430	4139.347.284	GASKET	1		00.00.0000					5	0,000	
444	4139.347.195	FLANGE	1		00.00.0000					5	0,000	
446	0636.016.412	HEXAGON BOLT	2	Z0000705 7715	01.01.2012	01.01.2012	M8X22			5	0,000	
450	4139.347.363	CONNPART	1		00.00.0000					5	0,000	
464	4139.347.495	BRACKET	1	C0100775 0D10	00.00.0000	00.00.0000				5	0,000	
466	---	CAP SCREW	2		00.00.0000		M8X16			3	0,000	
---	0636.101.680	CAP SCREW	2		00.00.0000		M8X16		SA 8320-03810	5	12	
---	0630.100.295	WASHER	2	Z0000715 8415	31.12.2010	31.12.2010				5	0,000	

VKF Incidence factor

OTK Optional technical kit

ID Identification (output code)

SP Supplier plant



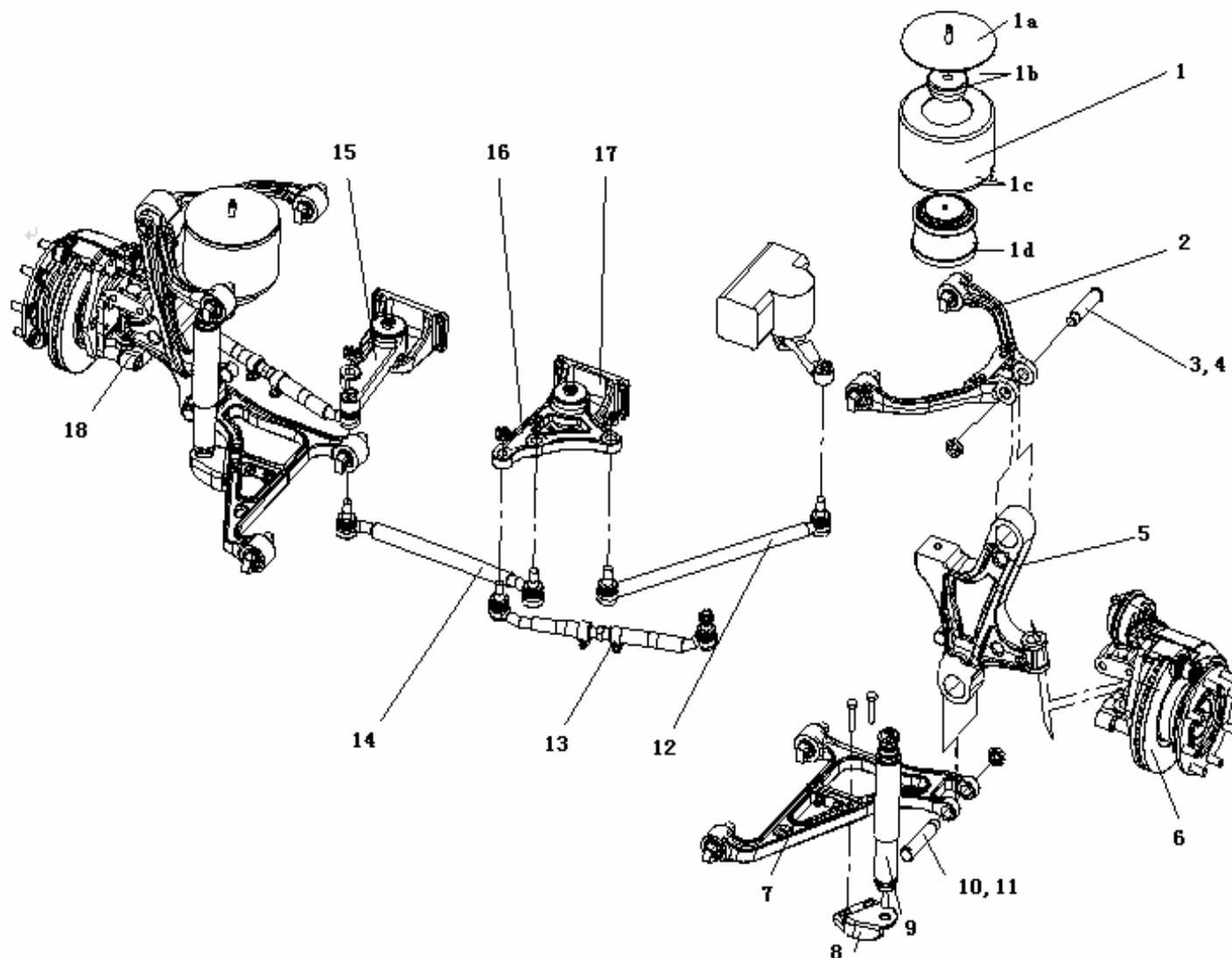
Pos.	Material number	Name	VKF	Amend. no.	Amend. start	Prod. no.	Material feature / tech. info.	OTK	External material no.	ID	Weight	SP
470	---	HEXAGON BOLT	3	Z0000705 1816	01.01.2012	01.01.2012	M8X60			3	0,000	
---	0636.011.758	HEXAGON BOLT	3	Z0000705 1811	06.08.2010	06.08.2010	M8X60			5	0,000	
---	0630.100.295	WASHER	3	Z0000715 8415	31.12.2010	31.12.2010				5	0,000	
500	0501.008.286	HEAT EXCHANGER	1	C0100943 9E10	00.00.0000	00.00.0000	SBK-WL-LF-EINTEILIGE OELLA			5	0,000	
504	4139.347.365	BRACKET	1		00.00.0000					5	0,000	
506	---	HEXAGON BOLT	4	Z0000705 8110	01.01.2012	01.01.2012	M10X22			3	0,000	
---	0636.016.403	HEXAGON BOLT	4	Z0000705 8113	17.06.2010	17.06.2010	M10X22			5	0,000	
---	0630.100.294	WASHER	4	Z0000715 8112	31.12.2010	31.12.2010				5	0,000	
660	4139.347.299	FIXING PLATE	1		00.00.0000					5	0,000	
720	4139.347.198	FIXING PLATE	1		00.00.0000				1254189	5	0,000	
730	0636.016.412	HEXAGON BOLT	2	Z0000705 7715	01.01.2012	01.01.2012	M8X22			5	0,000	
740	4139.347.301	BRACKET	1		00.00.0000					5	0,000	
742	0730.063.339	PIPE	1		00.00.0000		A=33,40 IN 0730 063 338(2)			5	0,000	
750	---	BOLT+NUT	1	Z0000705 1314	01.01.2012	01.01.2012	M8X55			3	0,000	
---	0636.011.757	HEXAGON BOLT	1	Z0000705 1310	07.09.2010	07.09.2010	M8X55			5	0,000	
---	0630.100.295	WASHER	1	Z0000715 8415	31.12.2010	31.12.2010				5	0,000	
---	0637.011.530	HEXAGON NUT	1	Z0000705 1310	07.09.2010	07.09.2010	M8			5	0,000	

VKF Incidence factor

OTK Optional technical kit

ID Identification (output code)

SP Supplier plant



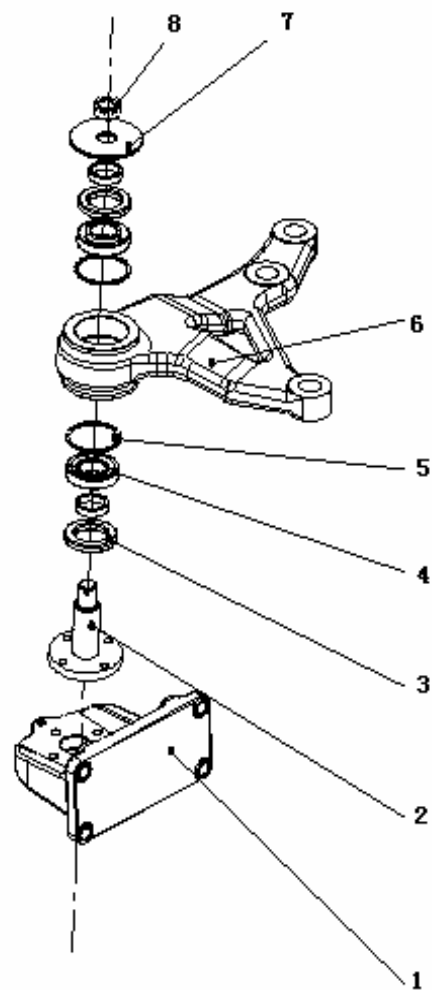


前独立悬挂带前桥 KMF0402K

Front independent suspension with front axle

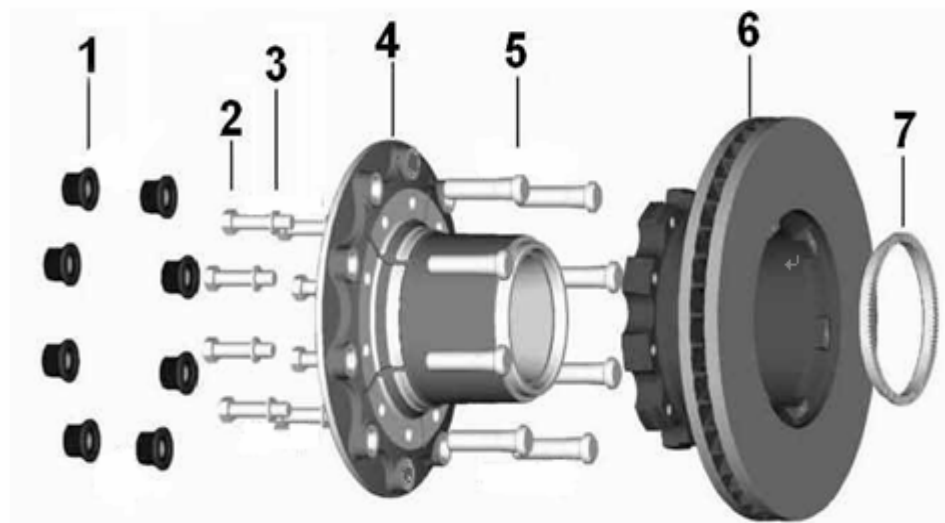
序号 Item No.	零件代码 Part No.	中文名称 Chinese Name	英文名称 English Name	数量 Quantity	适用车型 Bus Model	备注 Notes
1	1206K1161205	气囊总成	Air chamber assy	2		
1a		气囊盖总成	Cover, air chamber			
1b		缓冲块	bumper block			
1c		气囊	Air chamber			
1d		活塞	Piston			
2	0402K1962325	上臂总成	Upper arm assy	2		
3	0400K1963301	上销轴	Upper pin shaft	2		
4	KQ387B30LJ15	开槽薄螺母	Nut	2		
5	0402K1961404	右气囊支座	Seat, right air chamber	1		左件为0402K1961403
6	0402K1969010	制动器	Brake arrester	2		
7	0370K1962330	下臂总成	Lower arm assy	2		
8	0402K1963210	减振器下支架 (左)	Lower bracket, shock absorber (left)	1		
	0402K1963215	减振器下支架 (右)	Lower bracket, shock absorber (right)	1		
9	1904K1963310	减振器总成	Shock absorber assy	2		1001K2263110 (旧件,已替换)
10	0400K1963302	下销轴	Lower pin shaft	2		
11	KQ387B30LJ15	开槽薄螺母	Nut	2		
12	0402K1967140	转向直拉杆总成	Steering drag rod	1		
13	0927K1967150	转向横拉杆总成	Steering tie rod	2		
14	0927K1967130	中间拉杆总成	Mid rod	1		
15	0927K1967120	右中间摇臂总成	Mid rocker arm, right	1		
16	0927K1967115	左中间摇臂总成	Mid rocker arm, left	1		
17	0700K1967116	摇臂座	Rocker arm seat	2		
18	0402K1967101	左转向节臂	Left steering knuckle arm	1		右件为0402K1967102

摇臂座总成
Rocker seat assy



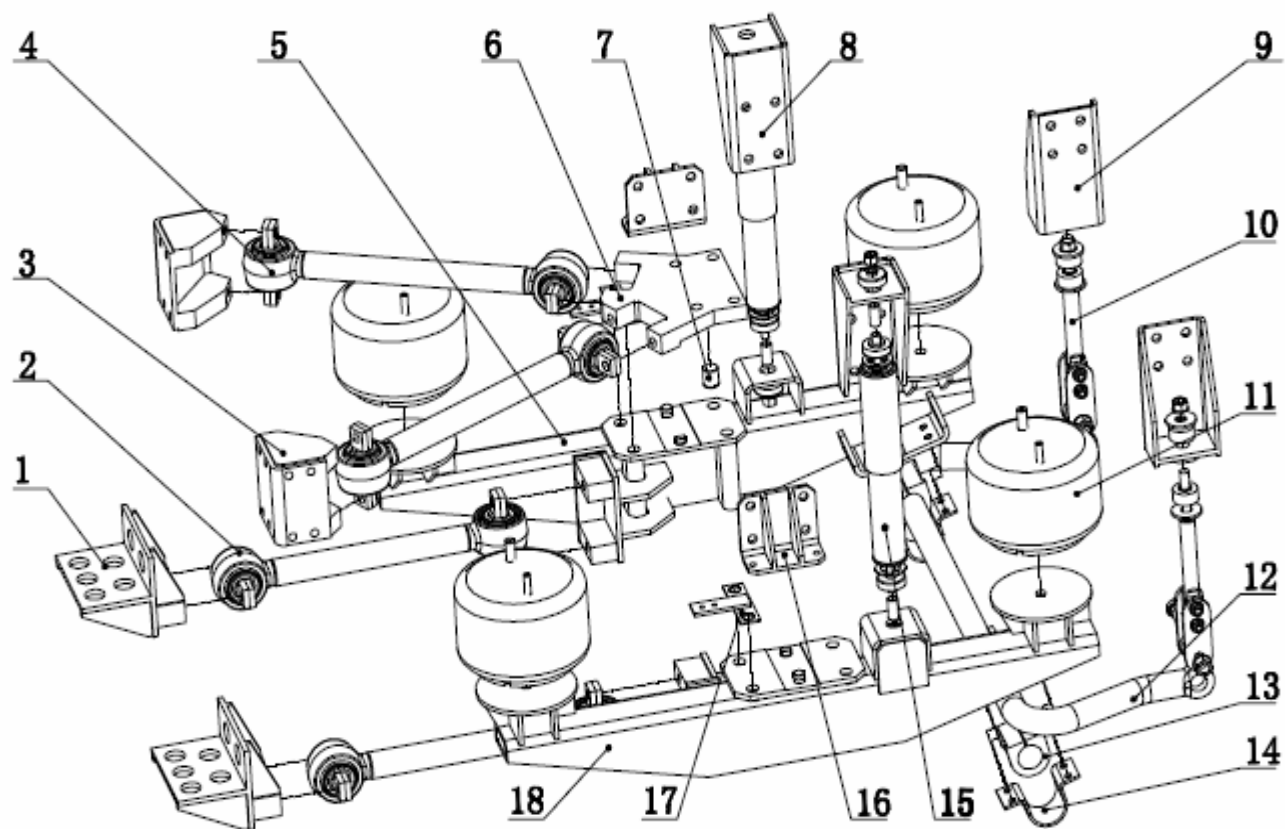
摇臂座总成
Rocker seat assy

序号 Item No.	零件代码 Part No.	中文名称 Chinese Name	英文名称 English Name	数量 Quantity	适用车型 Bus Model	备注 Notes
1	0700K1967116	摇臂座	Rocker arm seat	1		
2	0700K1963305	销轴	Pin shaft	1		
3	SC45x72x10	油封	Oil seal	2		
4	30207	圆锥滚子轴承	Roller bearing	2		
5	Q43072F3	孔用弹性挡圈	Circlip	2		
6	0927K1967113/ 0927K1967114	左/右中间摇臂	Left/ right mid rocker arm	1\1		
7	Q40224	大垫圈	Big washer	1		
8	KQ387B24T20	六角开槽螺母	Nut	1		



前桥轮端
Front axle wheel end

序号 Item No.	零件代码 Part No.	中文名称 Chinese Name	英文名称 English Name	数量 Quantity	适用车型 Bus Model	备注 Notes
1	0402K1961234	车轮螺母	Nut ,wheel	16		
2	Q1811440TF2	六角法兰面带齿螺栓	Bolt	16		
3						
4	3103LAP-101A	轮毂	Hub	2		
5	31AK32B-03052	车轮螺栓	Bolt ,wheel	16		
6	3501LP-301A	制动盘	Brake disc	2		
7	3550LP-113	齿圈	Gear ring	2		

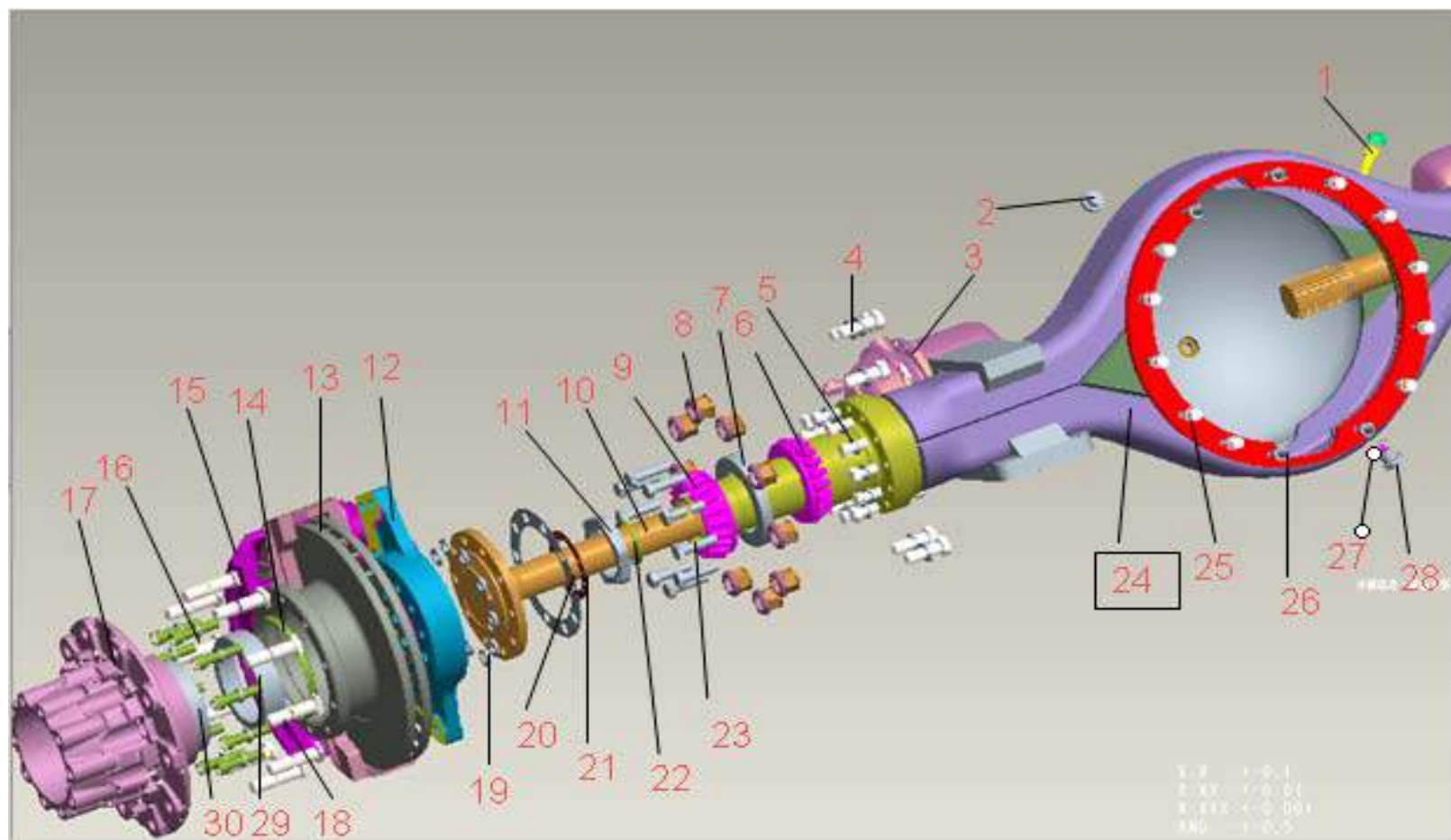




后悬架JR-95R-01-36

Rear suspension

序号 Item No.	零件代码 Part No.	中文名称 Chinese Name	英文名称 English Name	数量 Quantity	适用车型 Bus Model	备注 Notes
1	0112-02-41000	纵杆前支架	Front bracket,longitudinal bar	2		
2	03-130530-07	推力杆总成	Thrust rod assy	2		
3	0112-02-41100	斜杆前支架	Front bracket	2		
4	03-130584-07	推力杆总成	Thrust rod assy	2		
5	0136-02-12100	直梁总成（右）	Straight beam assy(right)	1		
6	0136-02-42110	斜向推力杆车桥支座	Seat	1		
7	1502-02-70001	推力杆支座定位销	Dowel pin	1		
8	0136-02-31100	后减震器上支架	Upper bracket, rear shock absorber	2		
9	0112-02-51100	吊杆支架	Bracket, hanger rod	2		
10	04-400315-01	吊杆总成	Hanger rod assy	2		
11	00005782	气囊总成	Air chamber assy	4		
12	06-500960-41	稳定杆总成	Stabilizer bar assy	1		
13	10-503590-01	吊杆衬套	Bush, hanger rod	2		
14	0112-01-60001	吊杆衬套下盖板	Lower cover board	2		
15	SACHS 00003096	减震器总成	Shock absorber	2		
16	0112-02-70001	限位器支架	Bracket, stopper	2		
17	0136-02-70002	高度阀下支架	Lower bracket, height valve	2		
18	0136-02-11100	直梁总成（左）	Straight beam assy (left)	1		
19	31-194035-02	调整垫片	Adjusting gasket	1set		



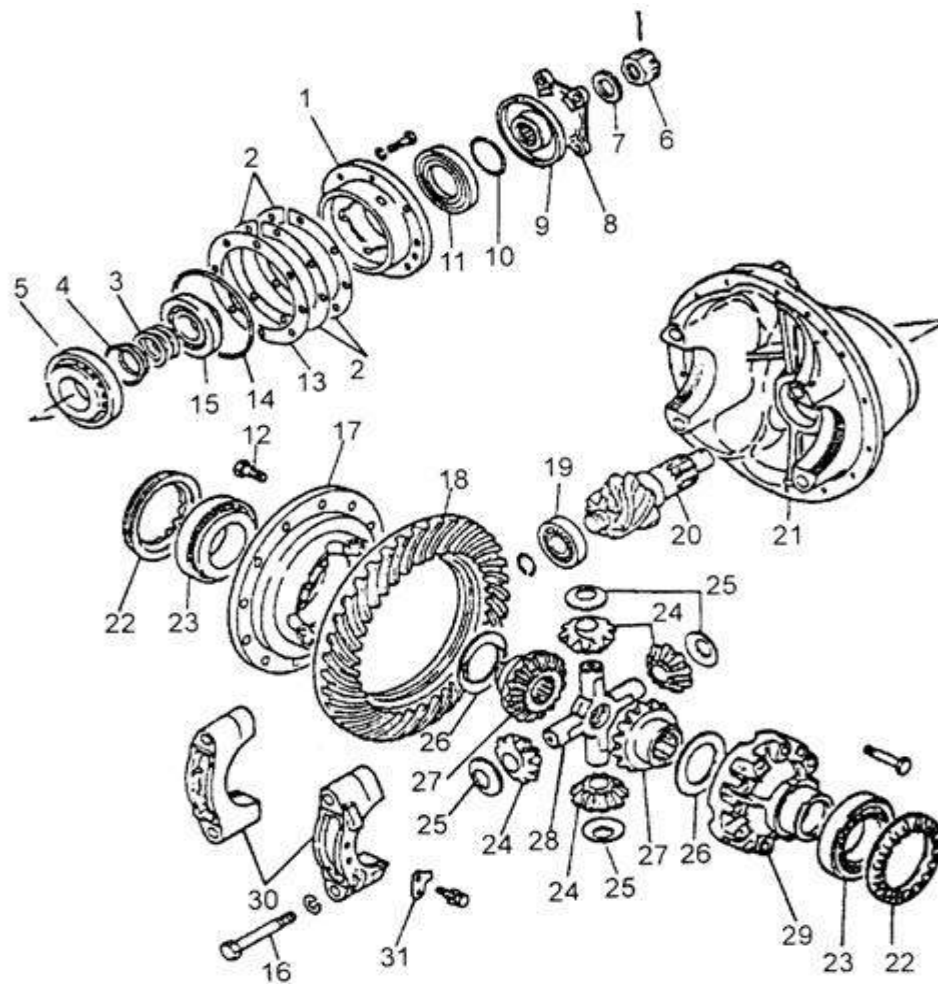
序号 Item No.	零件代码 Part No.	中文名称 Chinese Name	英文名称 English Name	数量 Quantity	适用车型 Bus Model	备注 Notes
1	24N-01068	通气塞总成	air breather	1		
2	24N-01065	油面孔螺塞	plug	1		
3	3530FS50B-001/002	左/右气室	brake chamber	各1		左001, 右002
4		制动钳连接螺栓	bolt			属盘式制动器总成 (因无盘式制动器结构, 空)
		重型弹簧垫圈	spring washer			属盘式制动器总成 (因无盘式制动器结构, 空)
5	35FS50-02045	制动底板连接螺栓	bolt	12		
	Q40520	重型弹簧垫圈	spring washer	12		
6	31N-04022/04032	后轮毂内轴承内圈	Inner ring, rear hub inner bearing	2		
7	31FS50-04086	油封座圈	Seat ring , oil seal	2		
8	31NP-03054	左/右后轮外螺母	tire nut	20		
		左/右后轮内螺母	tire nut			
9	31N04021/04031	后轮毂外轴承内圈	Inner ring, rear hub inner bearing	2		
10	Q1-24S114E-03065	半轴	axle shaft	各1		
11	24N-01076-A	调整螺母-轮毂轴承	Adjusting nut	2		
12	3502FS50-026	过渡盘	transitional disk	2		
13	35FS50-02075	制动盘	brake disc	2		
14	31FS50-04080	轮毂油封总成	seal assy	2		
15		制动钳	caliper body	左右各1		属盘式制动器总成 (因无盘式制动器结构, 空)
16	Q1-35S82E-02079	螺栓-紧固制动盘	bolt	12		
		重型弹簧垫圈	spring washer			无此结构

后桥 24FS57G-00005

Rear axle

序号 Item No.	零件代码 Part No.	中文名称 Chinese Name	英文名称 English Name	数量 Quantity	适用车型 Bus Model	备注 Notes
17	31FS50A-04015	轮毂	hub	2		
18	31FS50A-04051	车轮螺栓	tire bolt	16		
19	\	重型弹簧垫圈	spring washer	\		无此结构
20	24F-03064	半轴衬垫	axle shaft gasket	2		
21	24N-01081	锁紧垫圈—轮毂轴承螺母	Lock washer	2		
22	24N-01090	半轴油封总成	axle shaft sealing assy	2		
23	Q151B1435-0H1	半轴螺栓	axle shaft bolt	28		
24	2401FS57G-010	桥壳总成	axle housing assy	1		
25	Q151B1440-OH1-J1	减速器连接螺栓	bolt	10		
26	Q151B1445-0H1-J1	螺栓—紧固减速器用	nut	4		
27	Q40514	弹簧垫圈	spring washer	14		
28	24N-01072	放油塞总成	Oil drain plug	1		
29	31N04022/32	后轮毂内轴承外圈	Out ring, rear hub inner bearing	2		
30	31N-04031	后轮毂外轴承外圈	Out ring, rear hub out bearing	2		

后桥主减速器及差速器总成
Final reduction gear and differential assy



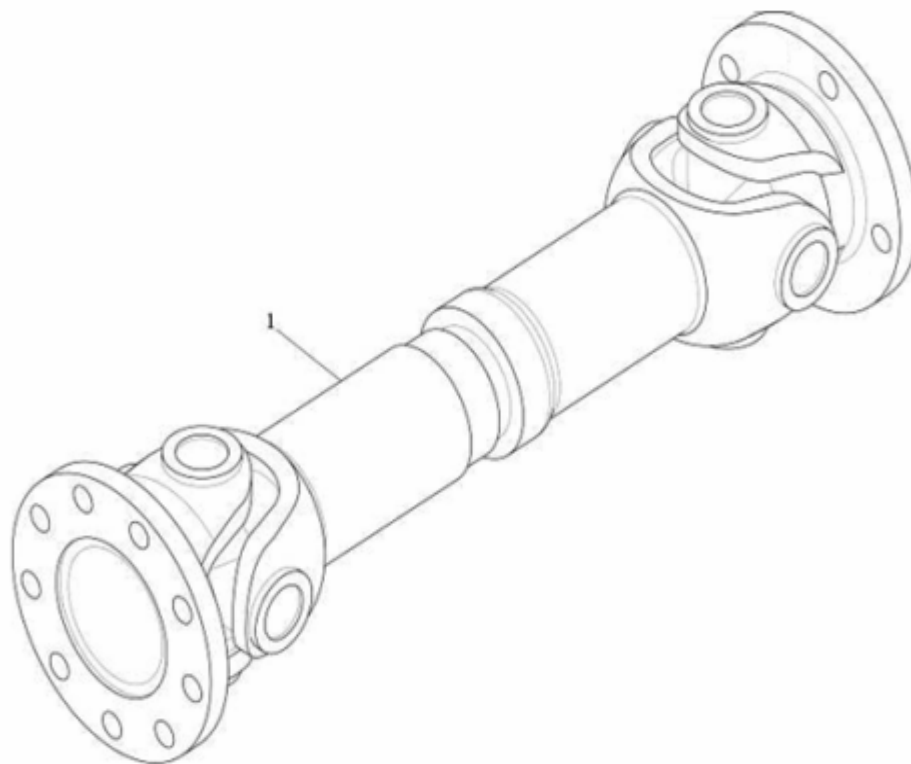
后桥主减速器及差速器总成
Final reduction gear and differential assy

序号 Item No.	零件代码 Part No.	中文名称 Chinese Name	英文名称 English Name	数量 Quantity	适用车型 Bus Model	备注 Notes
1	2402FS06R-036	轴承座	bearing seat		1	
2	2502Z33-151-199	调整垫片-主锥齿轮前轴承	separating adjust shim		按需	
3		调整垫圈	adjusting washer		按需	
4	2502Z33-049	隔套	spacer		1	
5	Z 7517E-1	前内轴承总成	front inner bearing assy		1	
6	2402FS20F-072	六角槽形螺母	hex slotted nut		1	
7		平垫圈	washer			无此结构
8	2402FS20F-065	突缘总成	flange		1	
9	Q1-2402S106-067	防尘罩	dust cover		1	
10		O形圈	O ring			无此结构
11	Q1-2402S106-059	油封总成-主动锥齿轮	oil seal assy		1	
12	2402F-356-A	螺栓-从动锥齿轮	bolt		12	
13		调整垫圈	adjusting washer			无此结构
14		O形圈	O ring		1	
15	2402N-033	前外轴承总成	front outer bearing assy		1	
16	Q151B20110-0H1	螺栓-差速器轴承盖	bolt		4	
17	2402F-317	锥齿轮差速器左壳	left bevel gear differential case		1	
18	M2402F739-026	从动锥齿轮	ring gear		1	
19	ZTMK27313EK	主锥后轴承总成	rear bearing assy		1	
20	M2402F739H-025	主动锥齿轮	drive pinion		1	
21	Q1-2402S108-115	主减速器壳总成	differential case		1	
22	2402F-381	差速器轴承调整螺母	adjusting nut		2	
23	Z 7517E-2	差速器轴承总成	differential bearing assy		2	



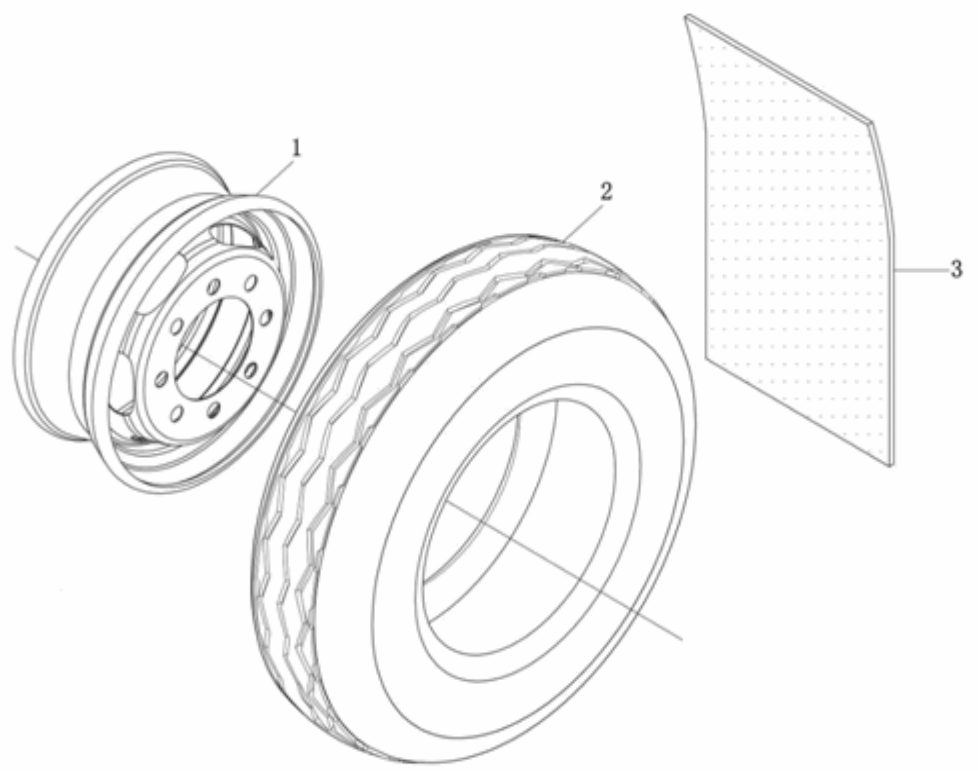
后桥主减速器及差速器总成
Final reduction gear and differential assy

序号 Item No.	零件代码 Part No.	中文名称 Chinese Name	英文名称 English Name	数量 Quantity	适用车型 Bus Model	备注 Notes
24	2402F-345	行星齿轮	planet gear		4	
25	2402F-346	支承垫片-行星齿轮	thrust washer		4	
26	2402F-336	支承垫片-半轴齿轮	thrust washer		2	
27	2402F-335	半轴齿轮	side gear		2	
28	2402F-331	十字轴	spider		1	
29	2402F-318	锥齿轮差速器右壳	right bevel gear differential case		1	
30	2402F-117	差速器轴承盖	bearing cap		2	
31	2402F-383	止动片	lock plate		2	



传动轴
Propeller shaft

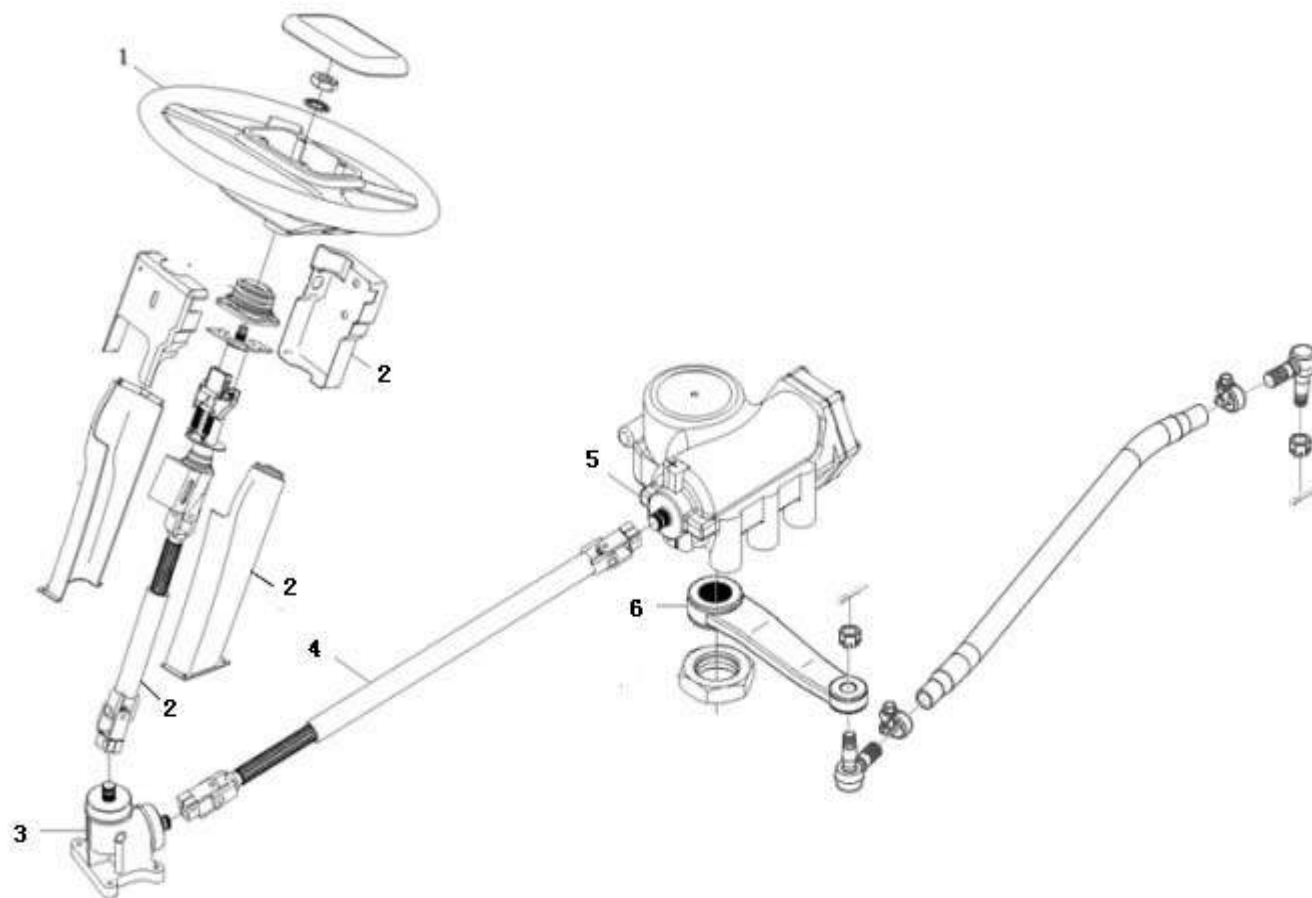
序号 Item No.	零件代码 Part No.	中文名称 Chinese Name	英文名称 English Name	数量 Quantity	适用车型 Bus Model	备注 Notes
1	6996Y-F320-2201010	传动轴总成 (L=450-80)	Propeller shaft assy	1		





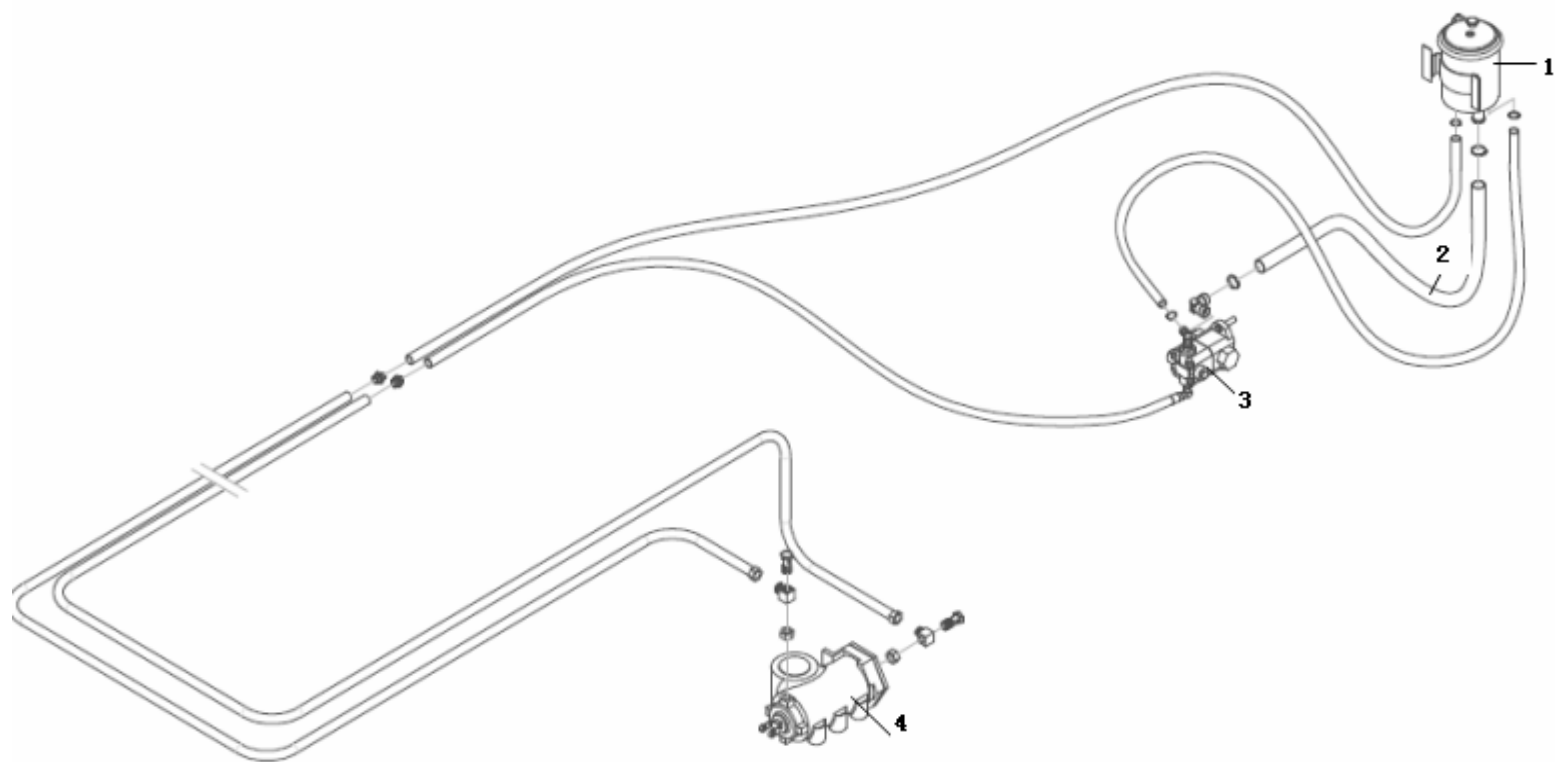
车轮系统
Wheel system

序号 Item No.	零件代码 Part No.	中文名称 Chinese Name	英文名称 English Name	数量 Quantity	单位 Unit	备注 ChineseNotes
1	231200270	车轮-7.50*19.5	Wheel rim	6		
2	231300620	轮胎-265/70R19.5	Tyre	6		
3	8206111-002GC	挡泥橡胶板	rubber madguard	4		



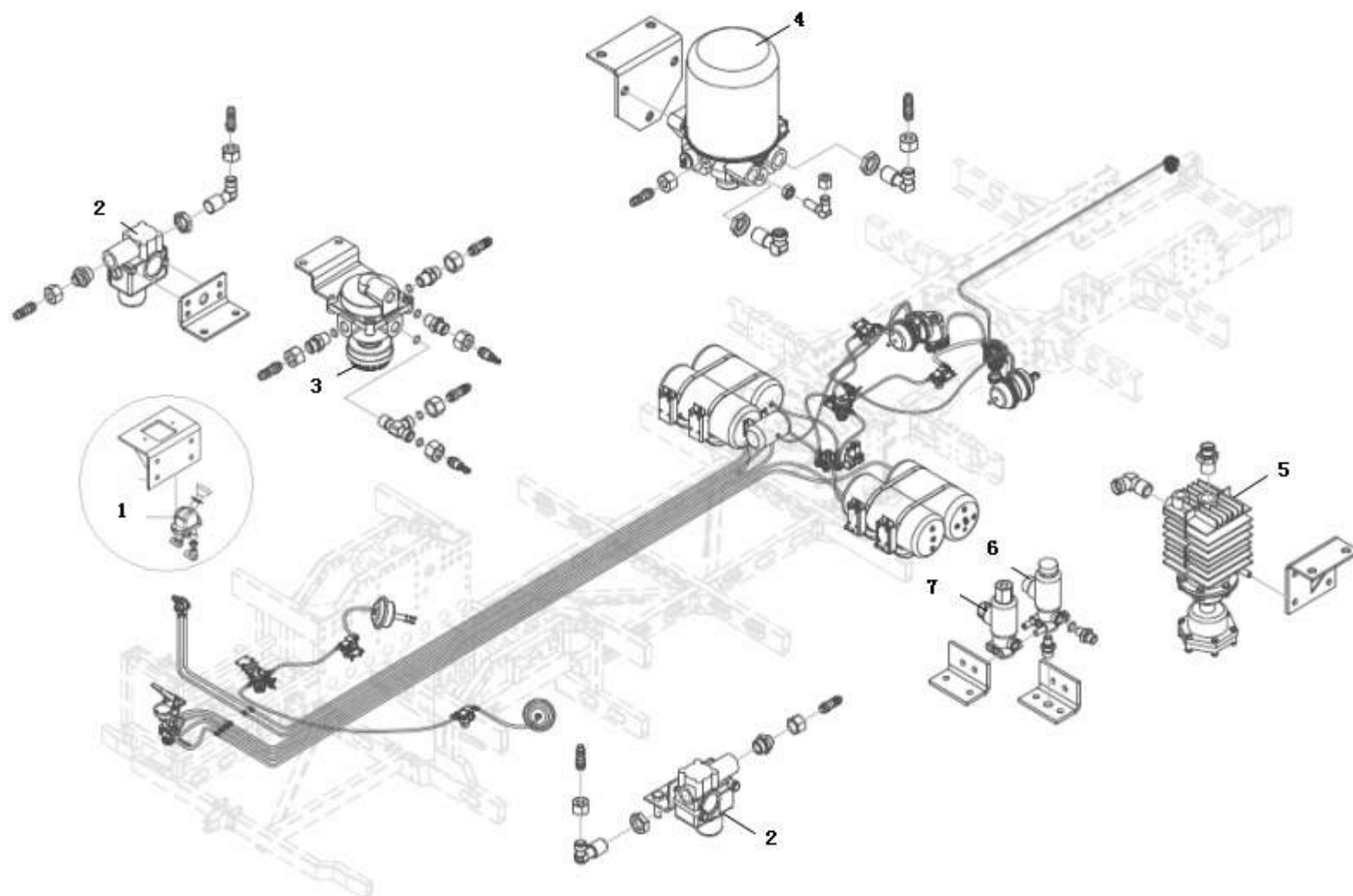
转向系
Steering system

序号 Item No.	零件代码 Part No.	中文名称 Chinese Name	英文名称 English Name	数量 Quantity	适用车型 Bus Model	备注 Notes
1	6110Y-W310-3402020	方向盘总成	Steering wheel assy	1		
2	6120Y-0060-3402010	余姚仿曼转向传动装置	Steering gear	1		(配进口方向机)
3	7860-955-900	角转向机总成	Angle steering box assy	1		
4	234300970	转向传动轴	Steering propeller shaft	1		
5	234100330	转向器总成	Steering box	1		ZF 8095 957 102
6	234400480	转向垂臂	Drop arm, steering	1		
	313000680	支架-角传动器	Bracket, angle steering box			
	313000690	支架总成-转向器	Bracket, steering ox			



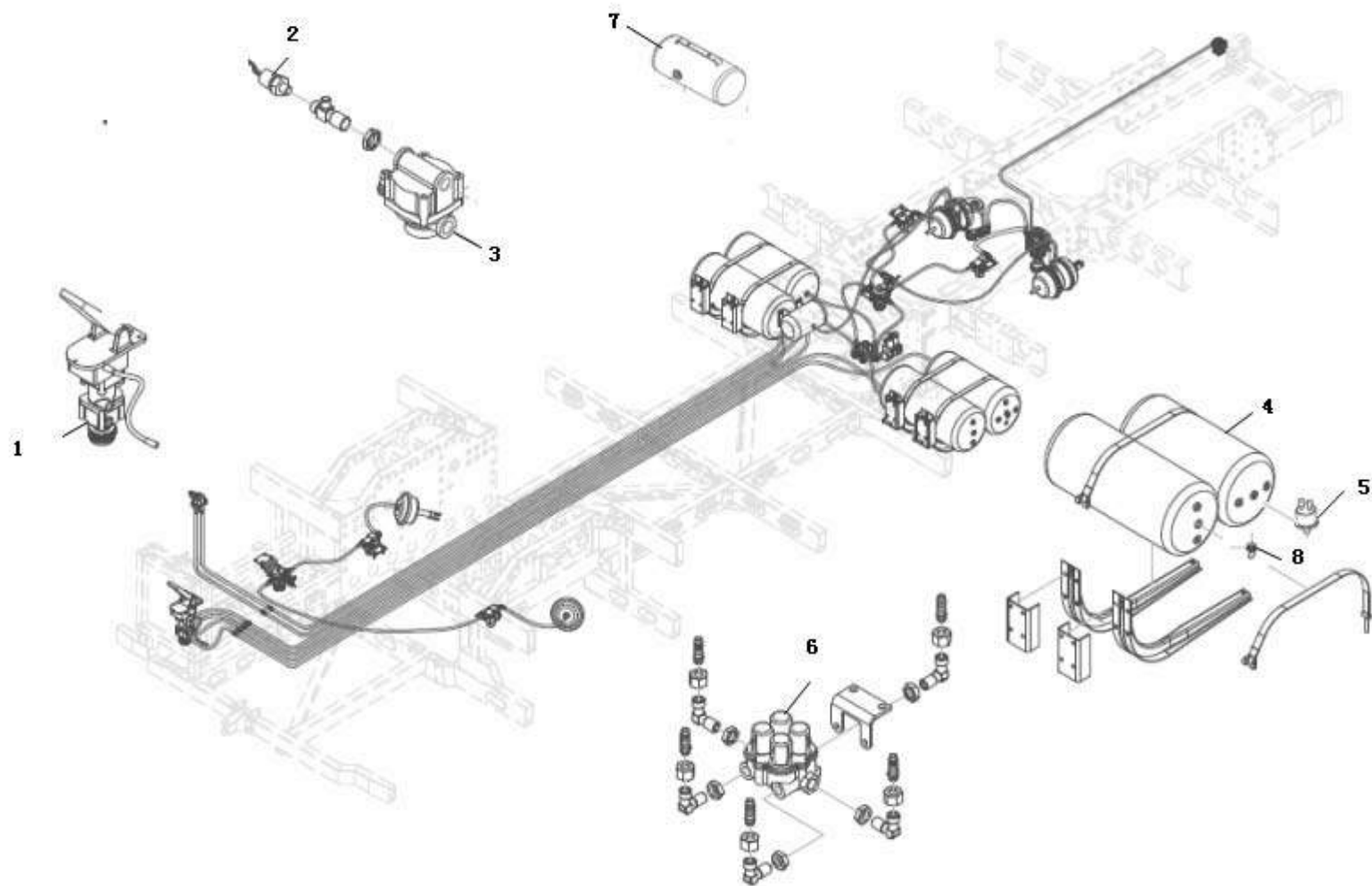
转向管路
Steering pipeline

序号 Item No.	零件代码 Part No.	中文名称 Chinese Name	英文名称 English Name	数量 Quantity	适用车型 Bus Model	备注 Notes
1	6129Y-0060-3408010	转向油罐(3孔)	Steering oil tank	1		
2	34R13-03051-B	转向回油管总成	steering oil return pipe	1		内径 ϕ 30
3	XMQ6113-3407100L	动力转向油泵	Power steering oil pump	1		
4	234100330	转向器总成	Steering box assy	1		ZF 8095 957 102



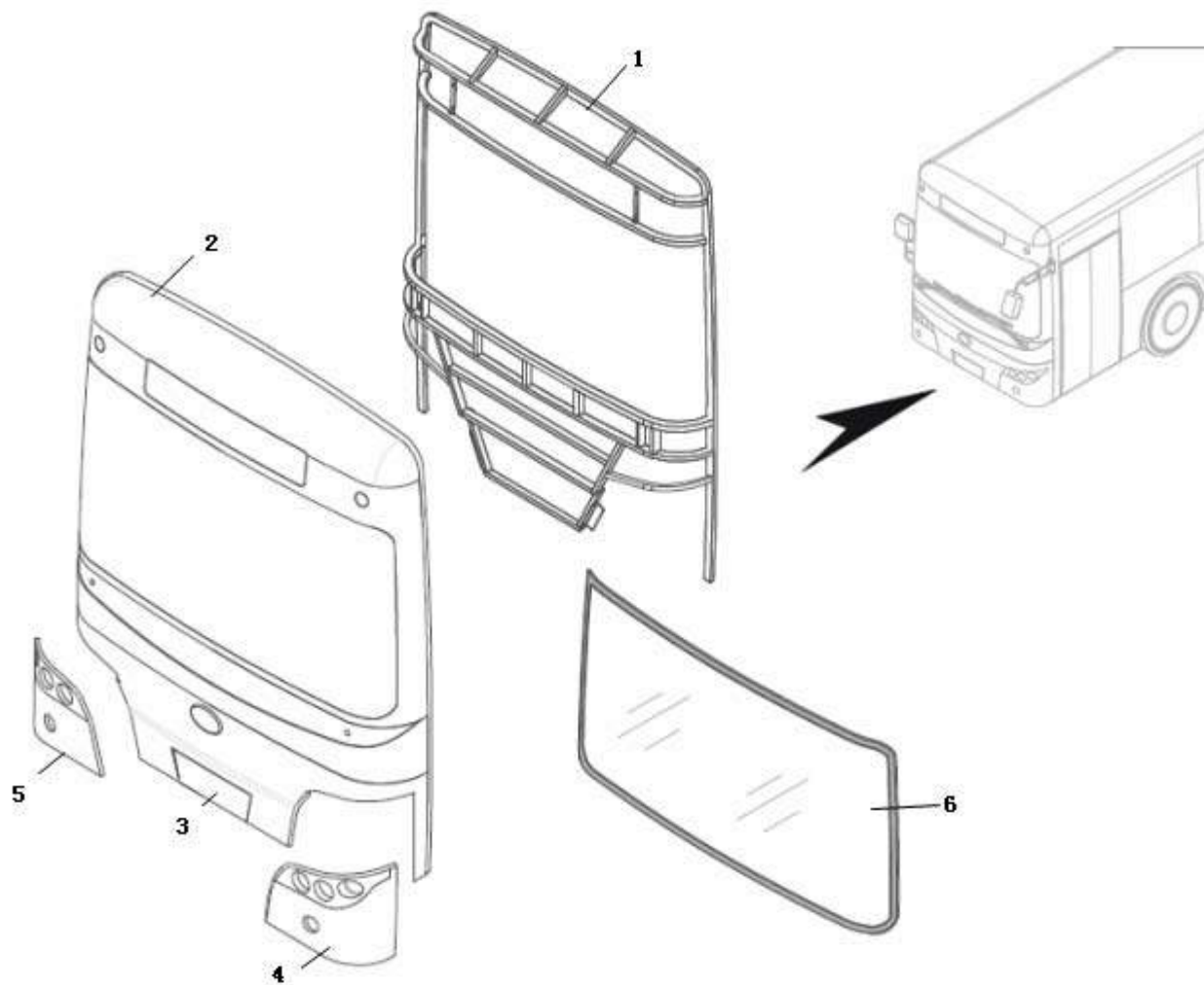
制动系统 I
Brake system I

序号 Item No.	零件代码 Part No.	中文名称 Chinese Name	英文名称 English Name	数量 Quantity	适用车型 Bus Model	备注 Notes
1	3508100C6QZ-HQ	手控制动阀总成	Hand brake valve	1		
2	3550110	ABS电磁阀总成	ABS magnet valve	4		
3	3527210NT	差动继动阀	differential relay valve	1		
4	35C03-11010A	国产空气干燥器总成(中文标签)	Air dryer assy	1		
5	3511310NT	空气干燥冷凝器	Air dryer and condenser	1		
6	235600030	ASR电磁阀	ASR magnet valve	1		4721706060
7	235600040	三通电磁阀	Magnet valve, three way	1		3550824



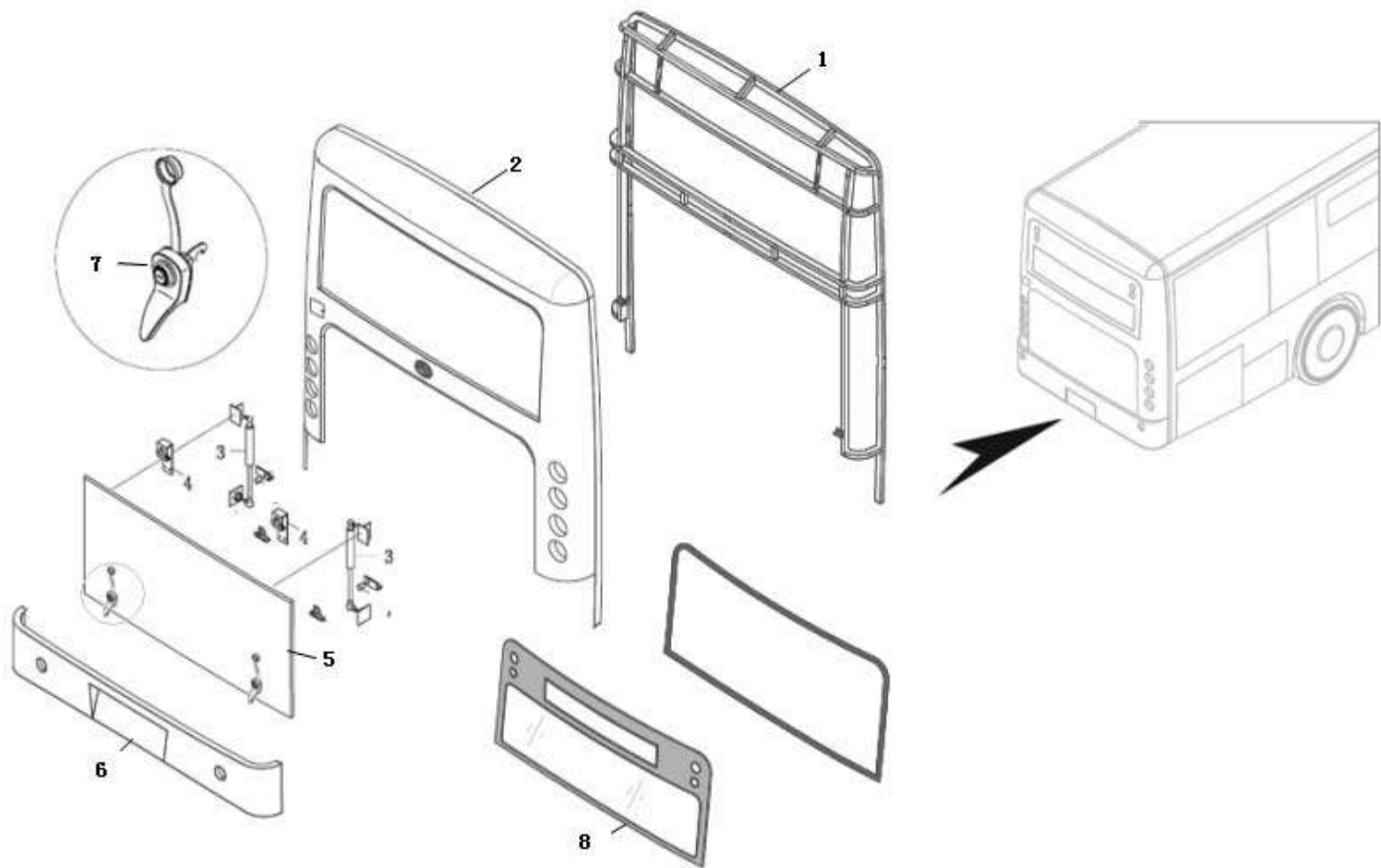
制动系统II
Brake system II

序号 Item No.	零件代码 Part No.	中文名称 Chinese Name	英文名称 English Name	数量 Quantity	适用车型 Bus Model	备注 Notes
1	3505060BM	制动总泵	Brake master cylinder	1		WABCO脚制动阀(461318604
2	JK611Q	制动灯开关	Switch, brake lamp	1		
3	3527D5-010-A	继动阀总成	Relay valve	2		
4	XMQ6891-3513140	单腔贮气筒(40L)	Air storage tank	4		
5	3800481-002	气压传感器	Air pressure sensor	2		(360.081.063.001C)
	XMQ6112GY1-3804002	气压传感器接头	Connector, air pressure sensor	2		
6	3515N-010	四回路保护阀总成	Protective valve, four -loop	1		
7	XMQ6111-3506020	再生罐总成(6112-3506020)	regeneration tank	1		
8	3513D-040	新式储气筒放水阀总成	Water drain valve	5		
	3525110	测气阀总成	Air detecting valve			



车身前围
Front wall

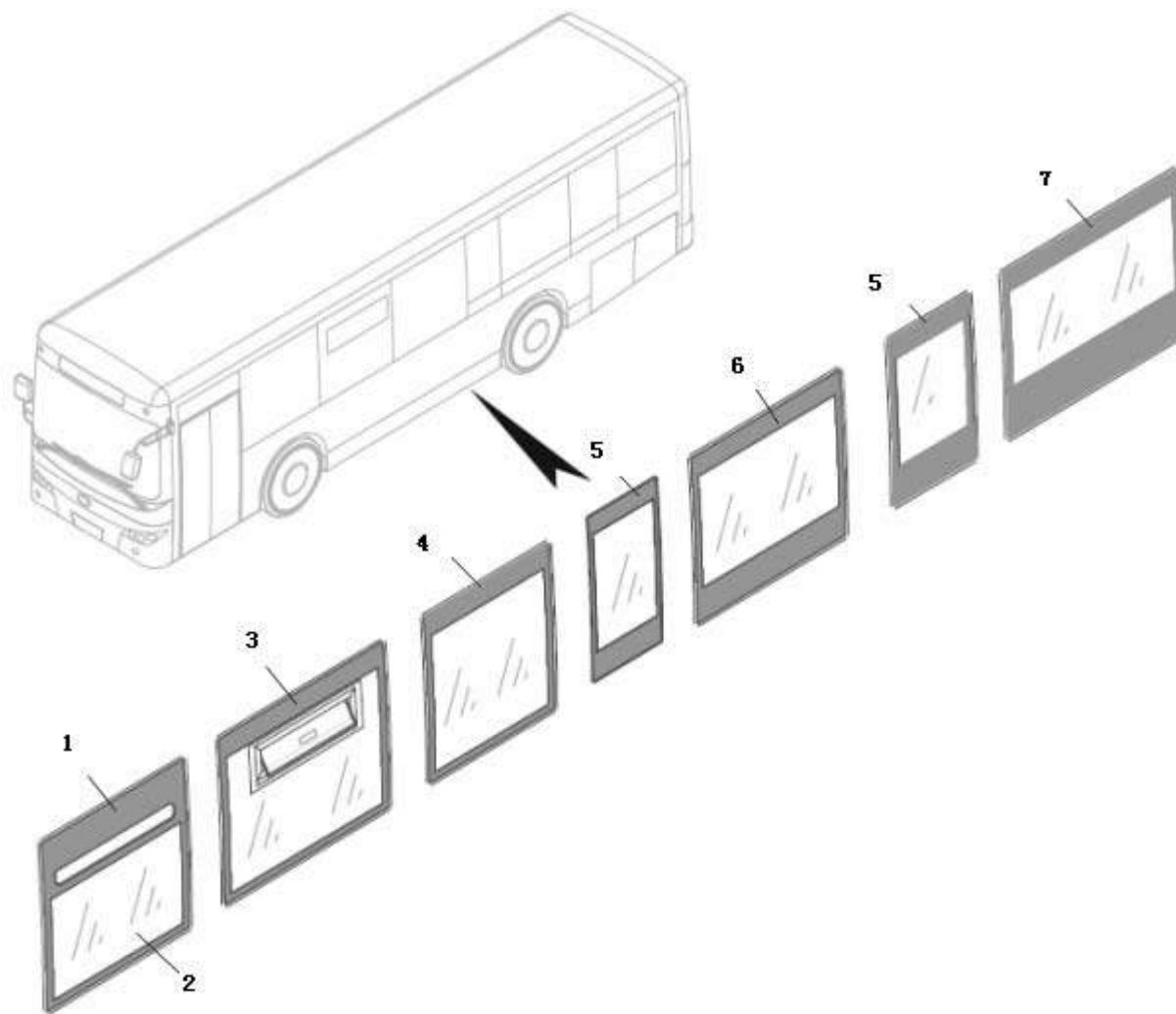
序号 Item No.	零件代码 Part No.	中文名称 Chinese Name	英文名称 English Name	数量 Quantity	适用车型 Bus Model	备注 Notes
1	253100840	前围骨架总成	Front wall framework assy	1		
2	6900G-0000-5302011	前围上蒙皮	Upper skin	1		
3	6900G-0000-5302012	前围中蒙皮(前中板)	Mid skin	1		
4	6900G-0000-5302013	左灯罩	Left lampshade	1		
5	6900G-0000-5302014	右灯罩	Right lampshade	1		
6	253300480	前挡玻璃	Front windshield	1		



后围
Rear wall

序号 Item No.	零件代码 Part No.	中文名称 Chinese Name	英文名称 English Name	数量 Quantity	适用车型 Bus Model	备注 Notes
1	256100630	后围骨架总成	Rear wall framework assy	1		
2	256200860	后围护面	Skin, rear wall	1		
3	5408730L5	800N气弹簧	Air spring, 800N	2		
4	6137G4-0008-5605000	后仓门铰链	Gemel, rear bin gate	2		
5	256400310	后仓门	Rear bin gate	1		
6	6900G-0000-5602012	后保险杠	Rear bumper	1		
7	5408450UJ	襄樊159A型后仓门锁	Lock, rear bin gate	2		
8	256300510	后挡玻璃	Rear windshield	1		

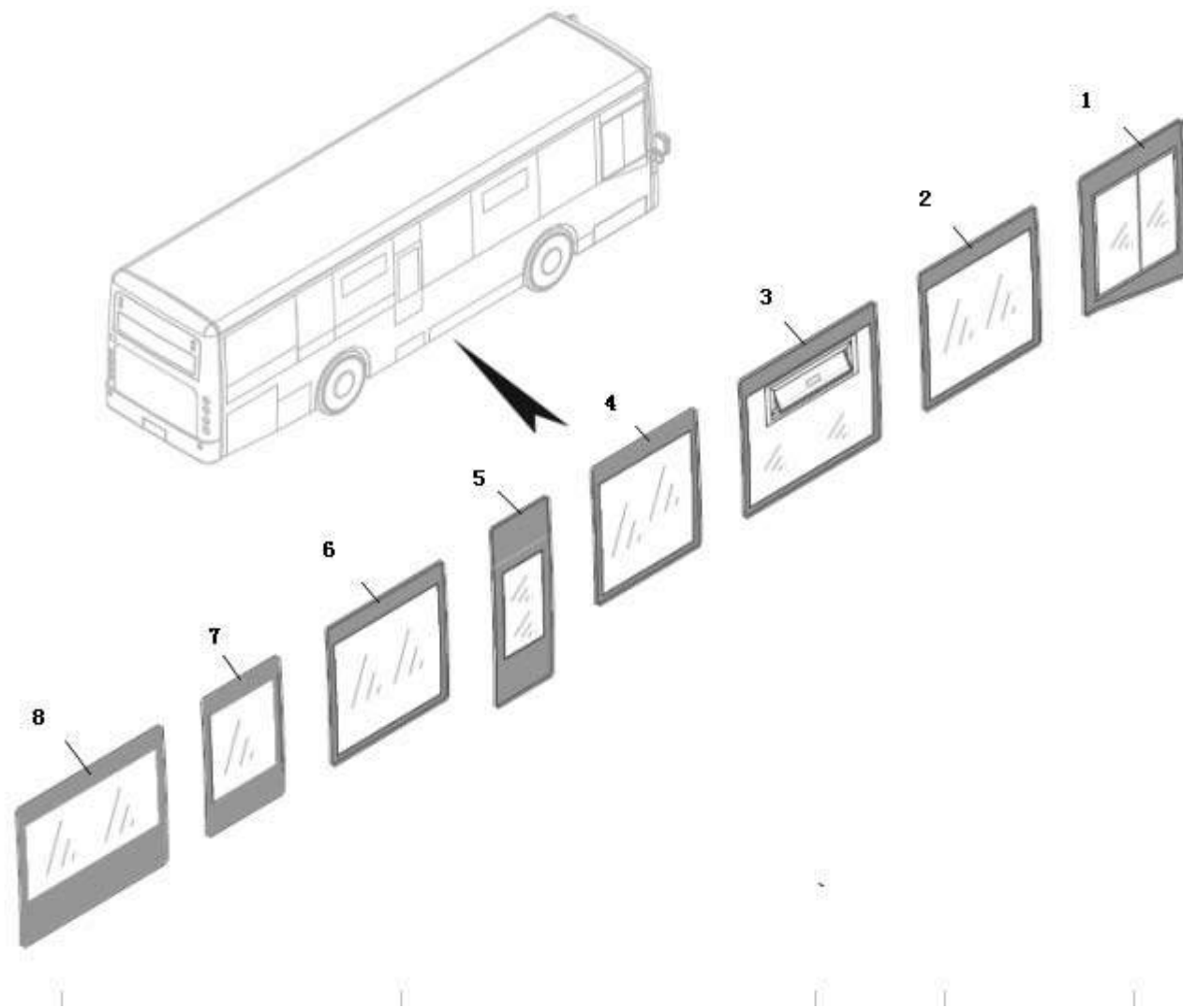
左侧玻璃
Left side glass





左侧玻璃
Left side glass

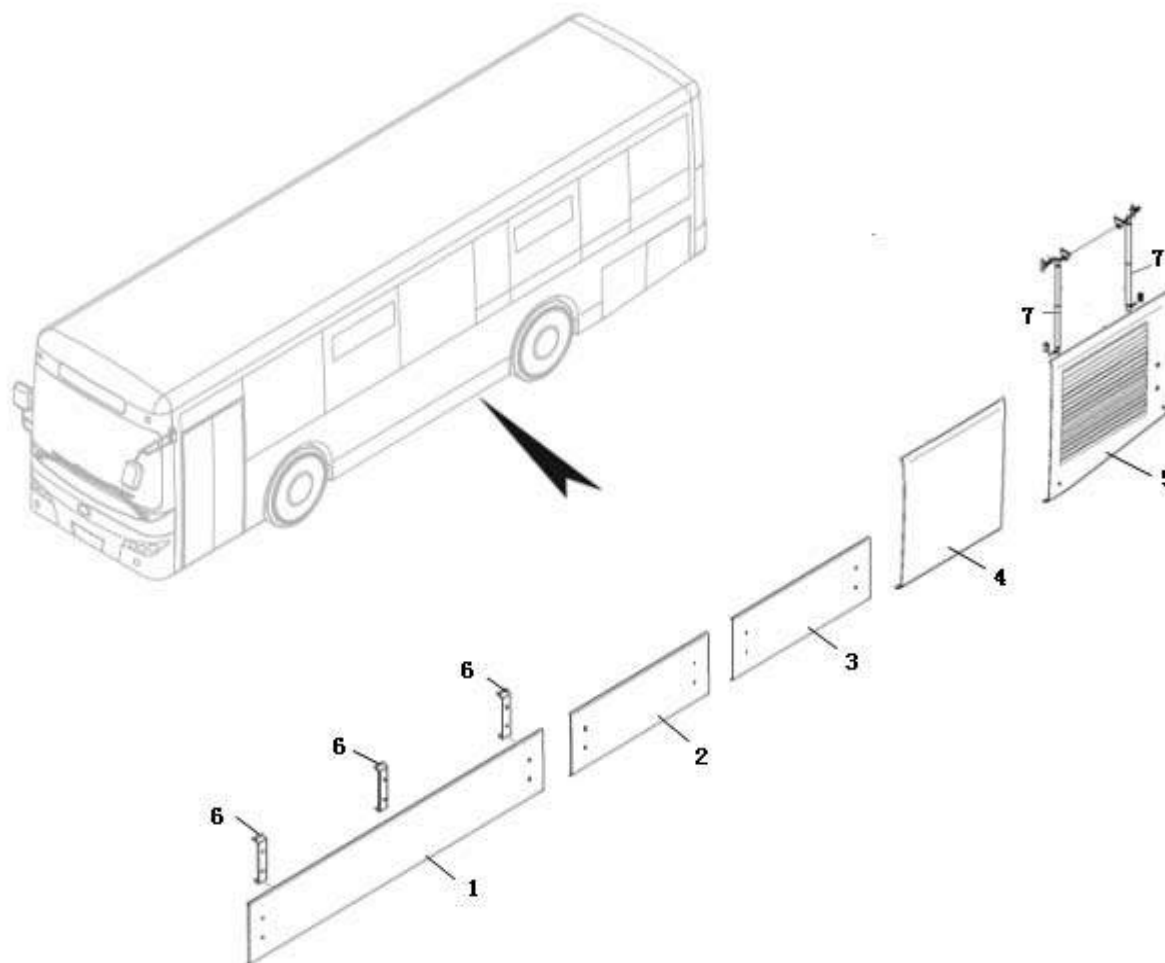
序号 Item No.	零件代码 Part No.	中文名称 Chinese Name	英文名称 English Name	数量 Quantity	适用车型 Bus Model	备注 Notes
1	255109760	侧围玻璃-钢化	Glass	1		
2	255109772	侧围玻璃-钢化, 灰	Glass	1		
3	255900192	侧围玻璃-钢化, 内翻	Glass	1		
4	255106912	侧围玻璃-钢化	Glass	1		
5	255106882	侧围玻璃-钢化	Glass	2		
6	255110072	侧围玻璃-钢化	Glass	1		
7	255106892	侧围玻璃-钢化	Glass	1		





右侧围玻璃
Right side glass

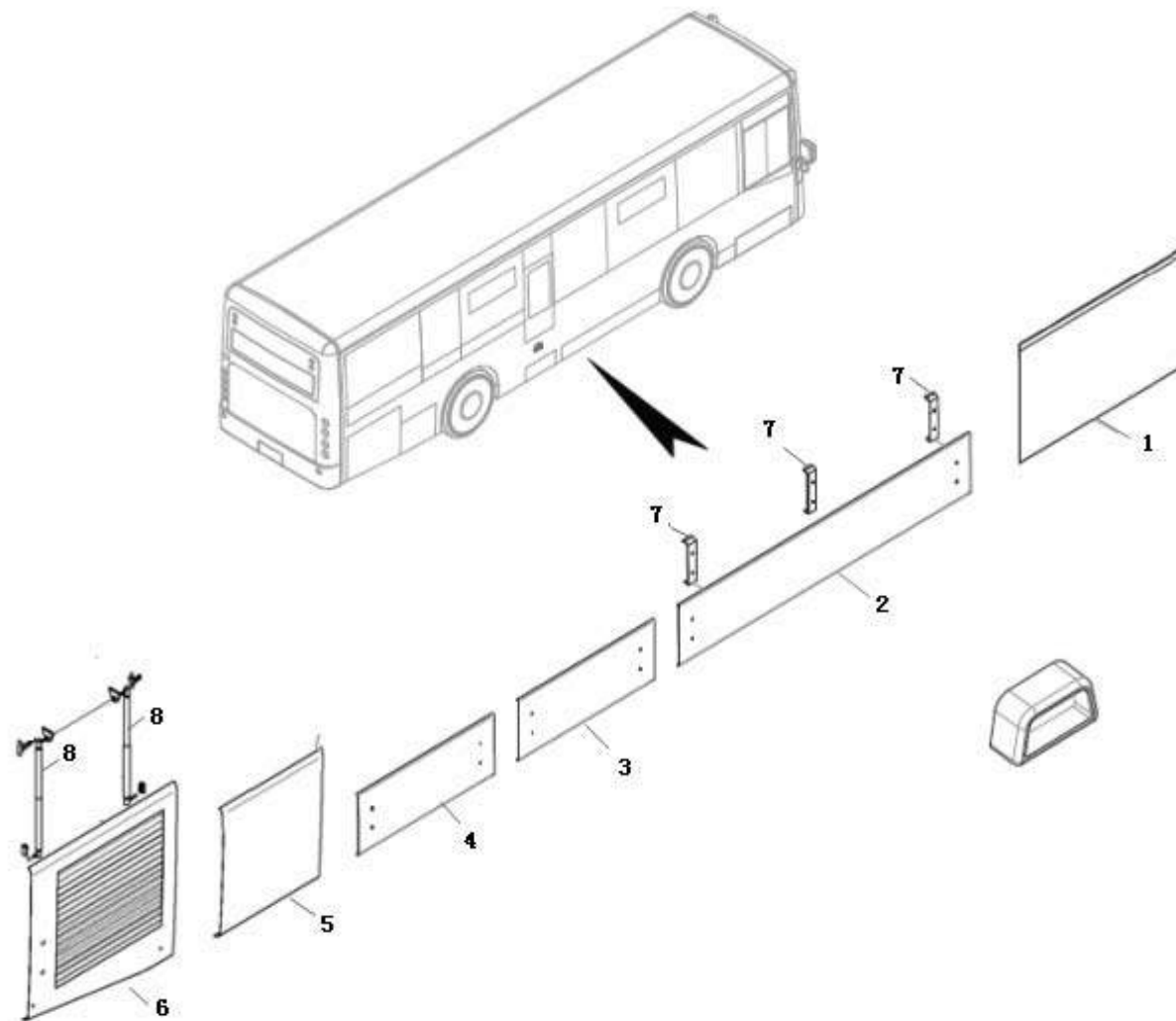
序号 Item No.	零件代码 Part No.	中文名称 Chinese Name	英文名称 English Name	数量 Quantity	适用车型 Bus Model	备注 Notes
1	258200350	司机窗-钢化,内嵌	Driver window	1		
2	255106862	侧围玻璃-钢化	Glass	1		
3	255900192	侧围玻璃-钢化,内翻	Glass	1		
4	255106872	侧围玻璃-钢化	Glass	1		
5	266300130	安全门玻璃	Glass, exit	1		
6	255110082	侧围玻璃-钢化	Glass	1		
7	255106882	侧围玻璃-钢化	Glass	1		
8	255106892	侧围玻璃-钢化	Glass	1		



左侧仓门
Left side bin gate

序号 Item No.	零件代码 Part No.	中文名称 Chinese Name	英文名称 English Name	数量 Quantity	适用车型 Bus Model	备注 Notes
1	259700520	侧仓门-可拆式	Bin gate	1		T59700100
2	259700720	侧仓门-可拆式	Bin gate	1		T59700170
3	259700690	侧仓门-可拆式	Bin gate	2		T59700140
4	259203180	侧仓门-铁铰链,简易锁	Bin gate	1		T59200040
5	259203200	侧仓门-铁铰链,简易锁	Bin gate	1		T59200070
6	316800110	仓门支架	Bin gate bracket	7		
7	5408770L5	480N气弹簧	Air spring , 480N	4		

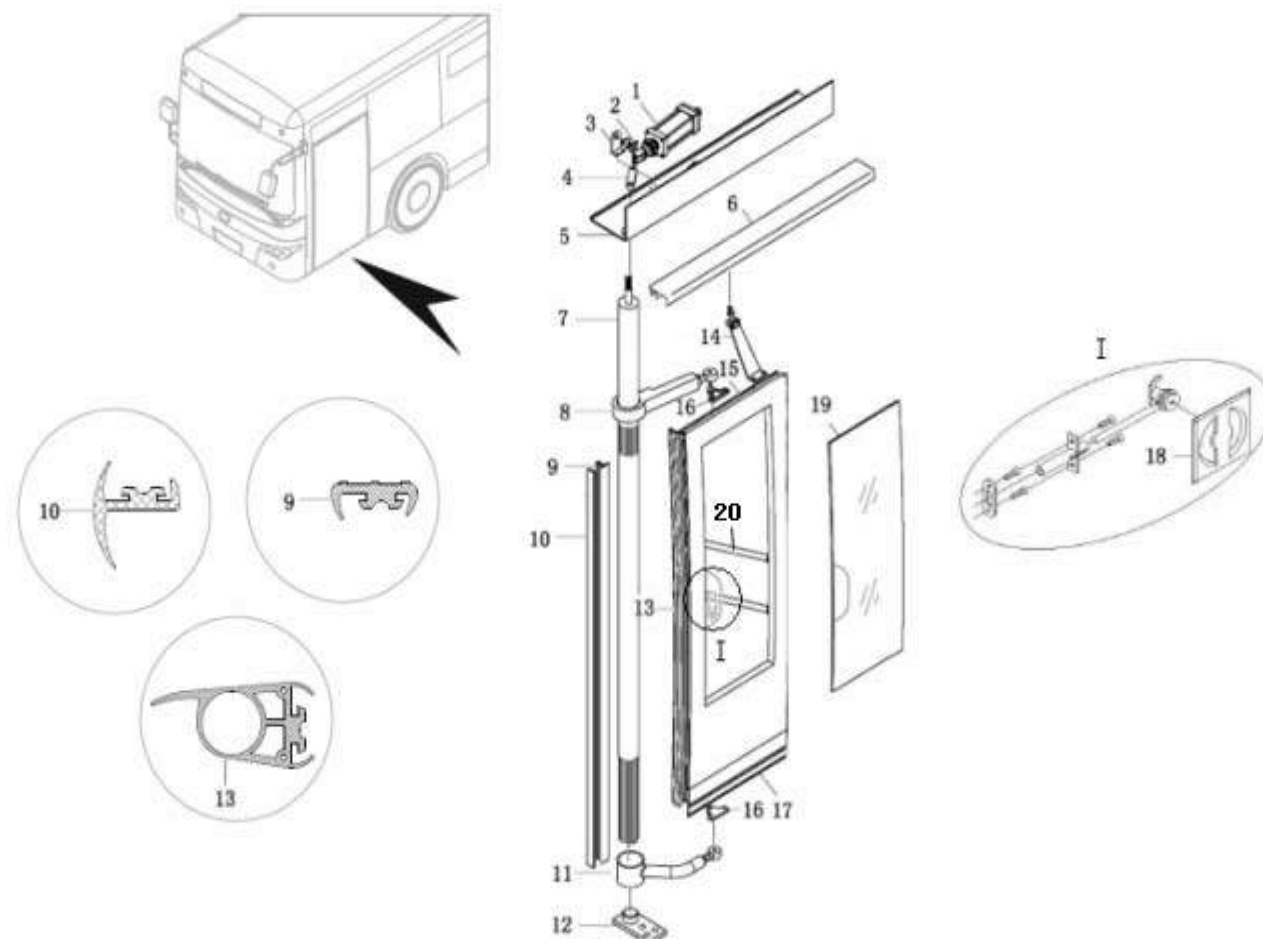
右侧仓门
Right side bin gate



右侧仓门
Right side bin gate

序号 Item No.	零件代码 Part No.	中文名称 Chinese Name	英文名称 English Name	数量 Quantity	适用车型 Bus Model	备注 Notes
1	T59200080	侧仓门-铁铰链,简易锁	Bin gate	1		宽度: 920mm, 高度: 483.5mm
2	259700520	侧仓门-可拆式	Bin gate	1		T59700100
3	259700720	侧仓门-可拆式	Bin gate	1		T59700180
4	259700690	侧仓门-可拆式	Bin gate	1		T59700140
5	259203170	侧仓门-铁铰链,简易锁	Bin gate	1		T59200030
6	259203200	侧仓门-铁铰链,简易锁	Bin gate	1		T59200110
7	316800110	仓门支架	Bin gate bracket	7		
8	5408770L5	480N气弹簧	Air spring, 480N	4		

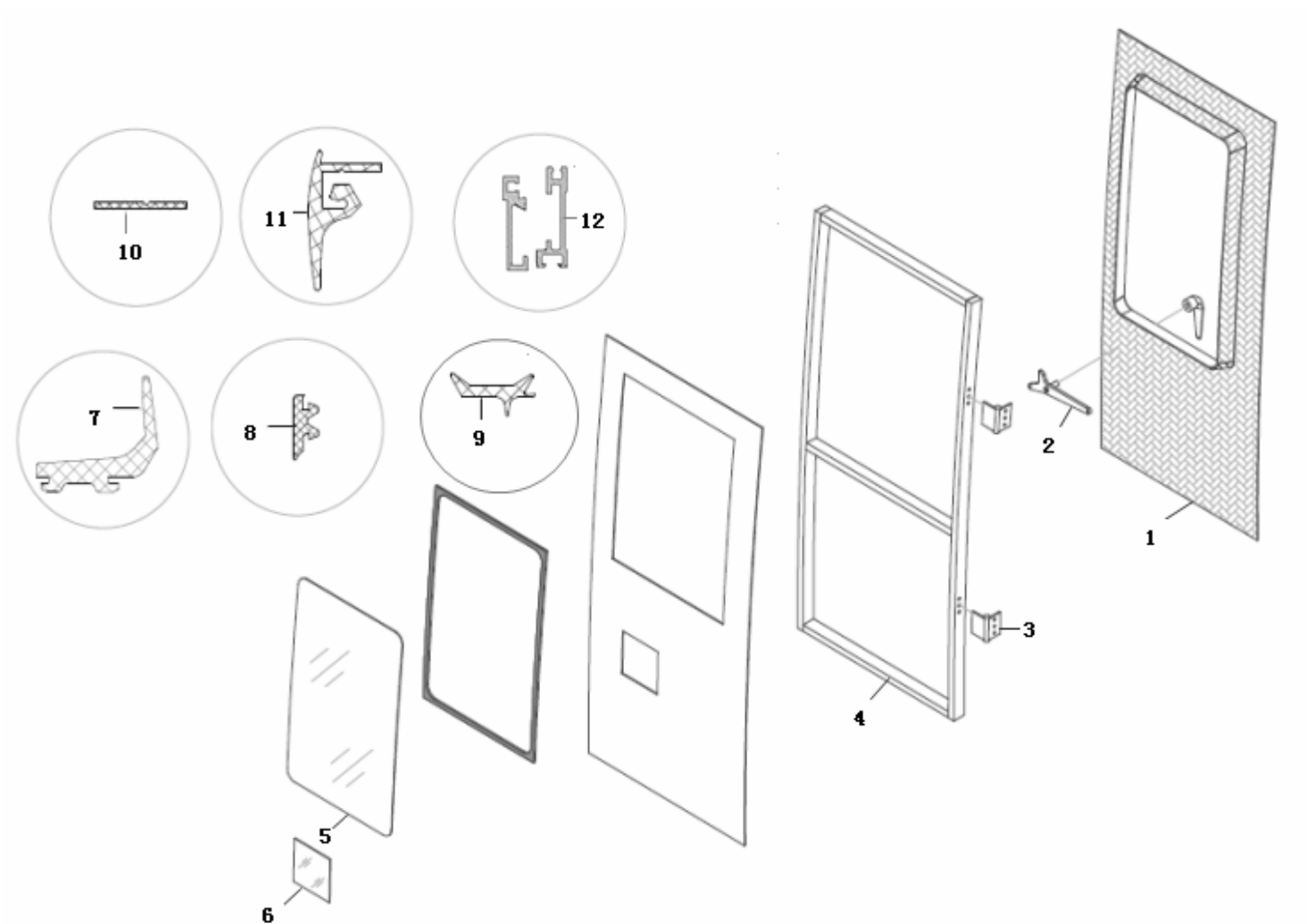
前乘客门
Front passenger door





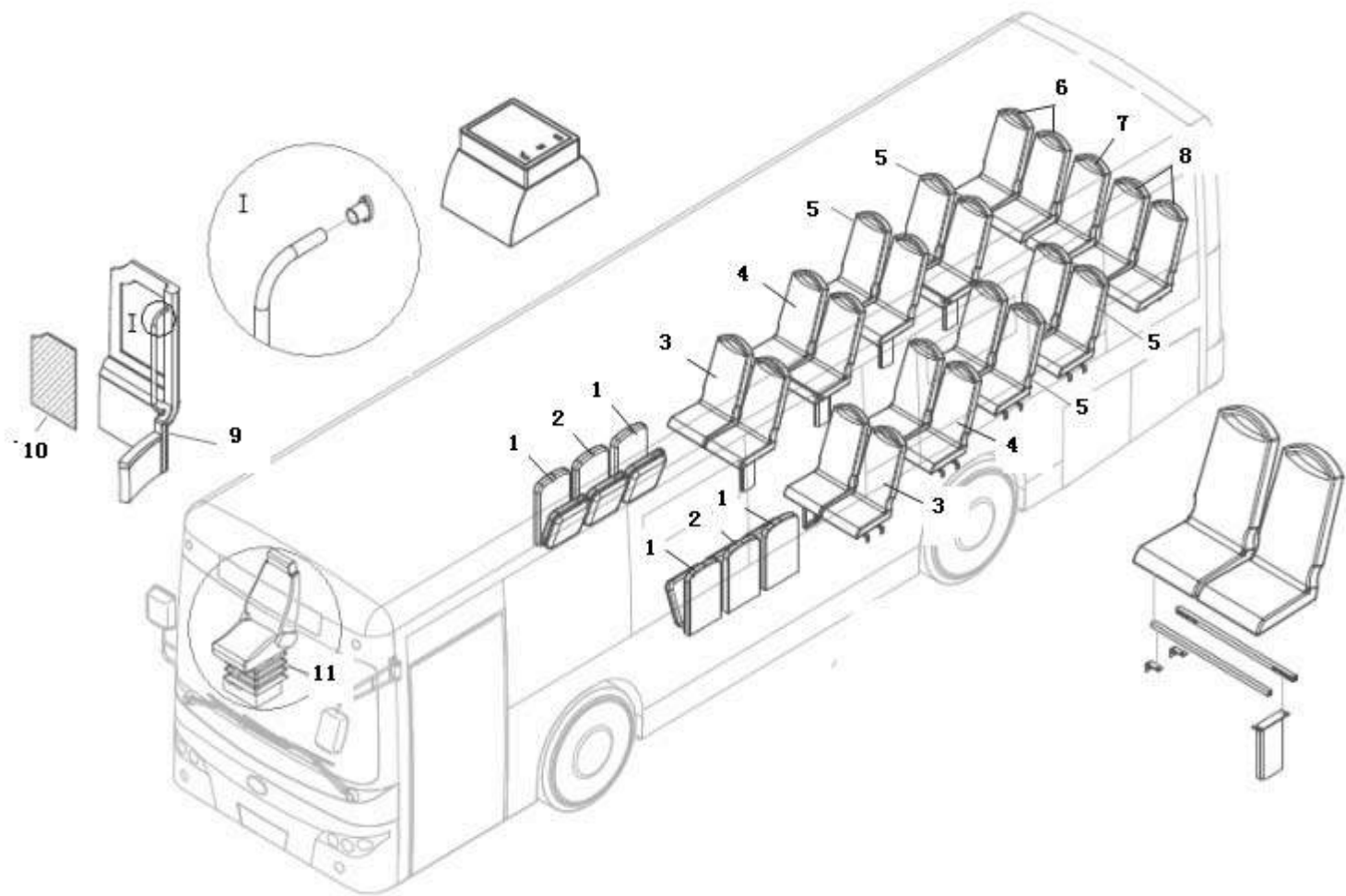
前乘客门
Front passenger door

序号 Item No.	零件代码 Part No.	中文名称 Chinese Name	英文名称 English Name	数量 Quantity	适用车型 Bus Model	备注 Notes
	261900660	前乘客门总成	Front passenger door assy	1		
1		气缸	Cylinder	1		
2	0400-108020	快放阀	Quick release valve	1		
3		快放阀支架	Bracket., quick release valve	1		
4		曲柄	Crank	1		
5	0401Z-049002	托板总成	Splint assy	1		
6		滑道连接板	Connecting board, slide	1		
7	0409Z-049002	立柱总成	Upright column	1		
8	040BZ-049002	上摆臂总成	Upper swing arm assy	1		
9	2253-049002Q	门框胶条	Rubber strip,doorcase	1		JT305、JT314长2150
10	2260-049002Q	门框铝合金型材	Section bar, aluminium alloy	1		
11	040DZ-049002	下摆臂总成	Lower swing arm	1		
12	0400-407000	固定轴底板部件	Soleplate, fixed axle	1		
13			Rubber strip	1		
14	0403Z-049002	导向轮总成	Guide roller	1		
15	2200-049002Q	门板总成	Door plank	1		
16		摆臂座	Seat, swing arm	1		
17	2283-049002Q	下毛刷	Lower brush	1		
18	DQ-60003M	门锁	Lock	1		
19	261301260	前乘客门玻璃	Glass	1		
20	2271-049002Q	扶手	Handrail	1		
	2251-049002Q	门边胶条1	rubber strip 1, door	1		JT113 (气囊防夹) 长2150
	2252-049002Q	门边胶条2	rubber strip 2, door	1		JT204长1950



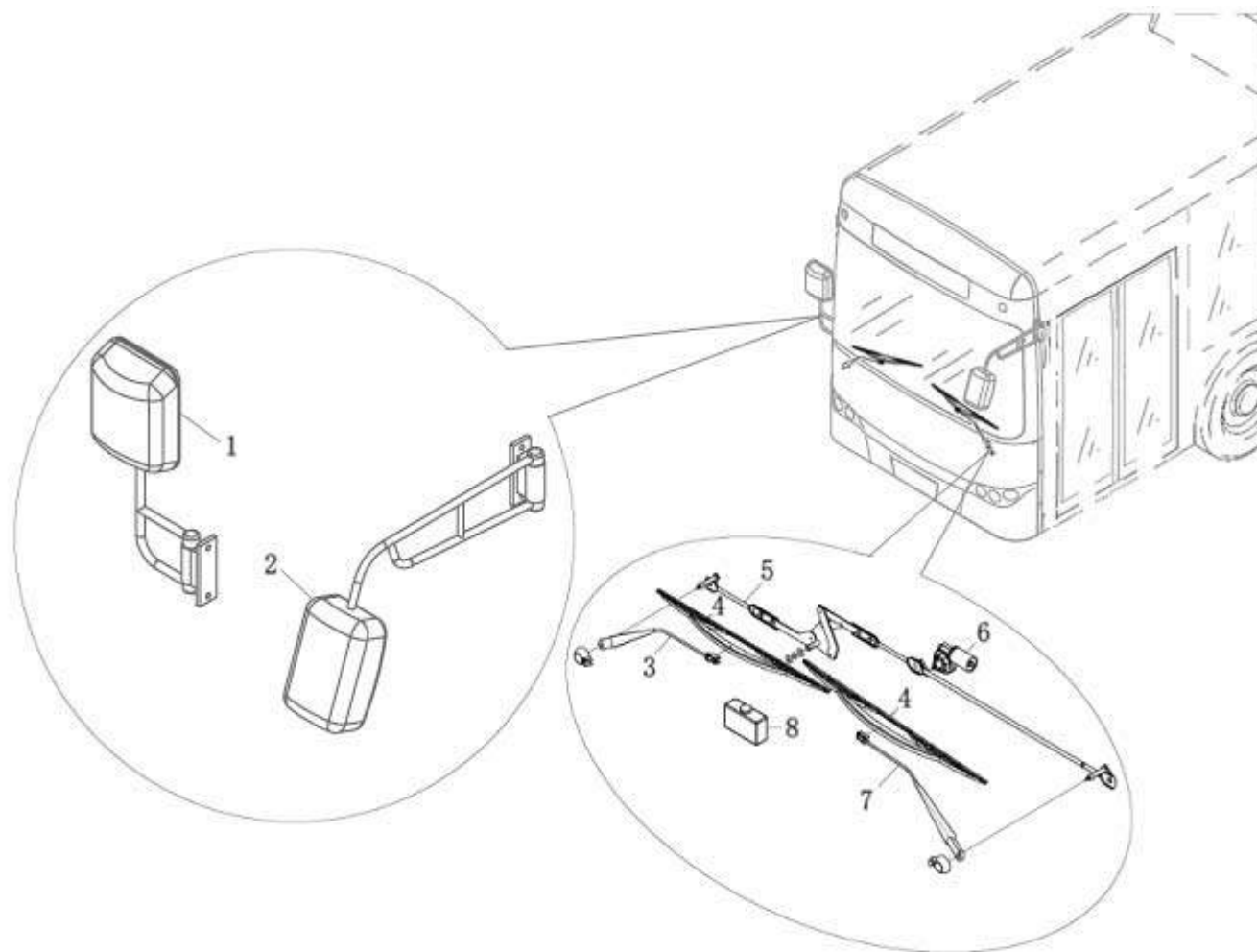
安全门
Exit

序号 Item No.	零件代码 Part No.	中文名称 Chinese Name	英文名称 English Name	数量 Quantity	适用车型 Bus Model	备注 Notes
1	266200040	安全门内护板	Inner guard plate,exit	1		
2	6600110	国产安全门锁(AQS)	Lock, exit	1		
3	SL-ASQ-JL	安全门铰链	Gemel, exit	2		
4	266100050	安全门骨架	Framework	1		
5	266300130	安全门玻璃	Glass, exit	1		
6	266300140	安全门手柄窗玻璃	Glass,handle window	2		
7	261601170	安全门门框胶条JT-J105	Rubber strip, doorcase	1		L=5000
8	JT-BB148	安全门门框内胶条	Inner rubber strip, doorcase	1		L=5000
9	445000450	安全门门框装饰胶条JT-BB274	decorative rubber strip, doorcase	1		L=5000
10	LD31-6063-1644	门洞胶条铝型材	Aluminum section	1		
11	JT-XHB-C1-0398	安全门门框外胶条	Exterior rubber strip, exit doorcase	1		
12	LD31-6063-2629	安全门胶条铝型材	Aluminum section	1		



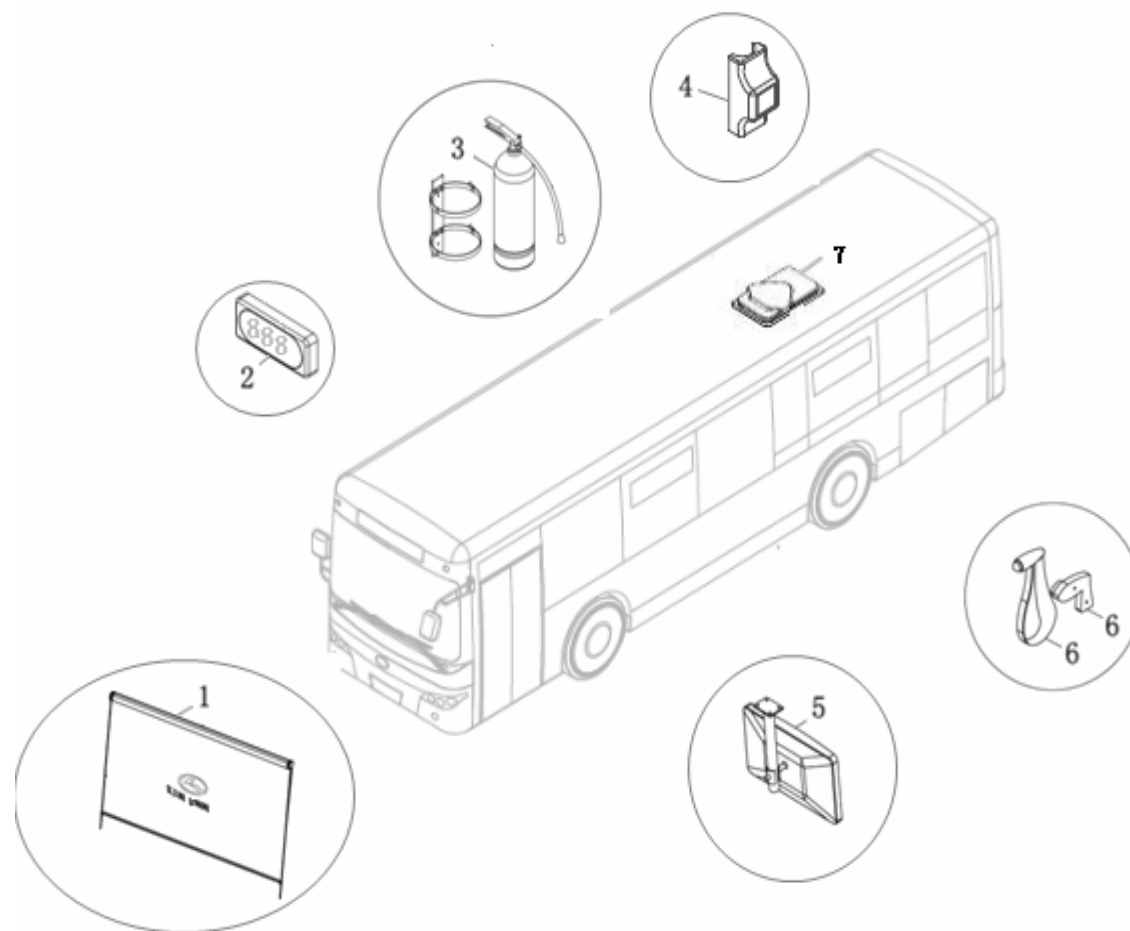
座椅
Seat

序号 Item No.	零件代码 Part No.	中文名称 Chinese Name	英文名称 English Name	数量 Quantity	适用车型 Bus Model	备注 Notes
1	207400250	折叠椅	Folded seat	4		
2	207400260	折叠椅	Folded seat	2		
3	267301290	乘客椅总成	Passenger seat assy	2		
4	267301280	乘客椅总成	Passenger seat assy	2		
5	267301300	乘客椅总成	Passenger seat assy	4		
6	267301260	乘客椅总成	Passenger seat assy	1		
7	267301250	乘客椅总成	Passenger seat assy	1		
8	267301270	乘客椅总成	Passenger seat assy	1		
9	253400190	司机后包围	Rear wall, driver	1		
10	253400250	司机后包围玻璃	Glass, driver rear wall	1		



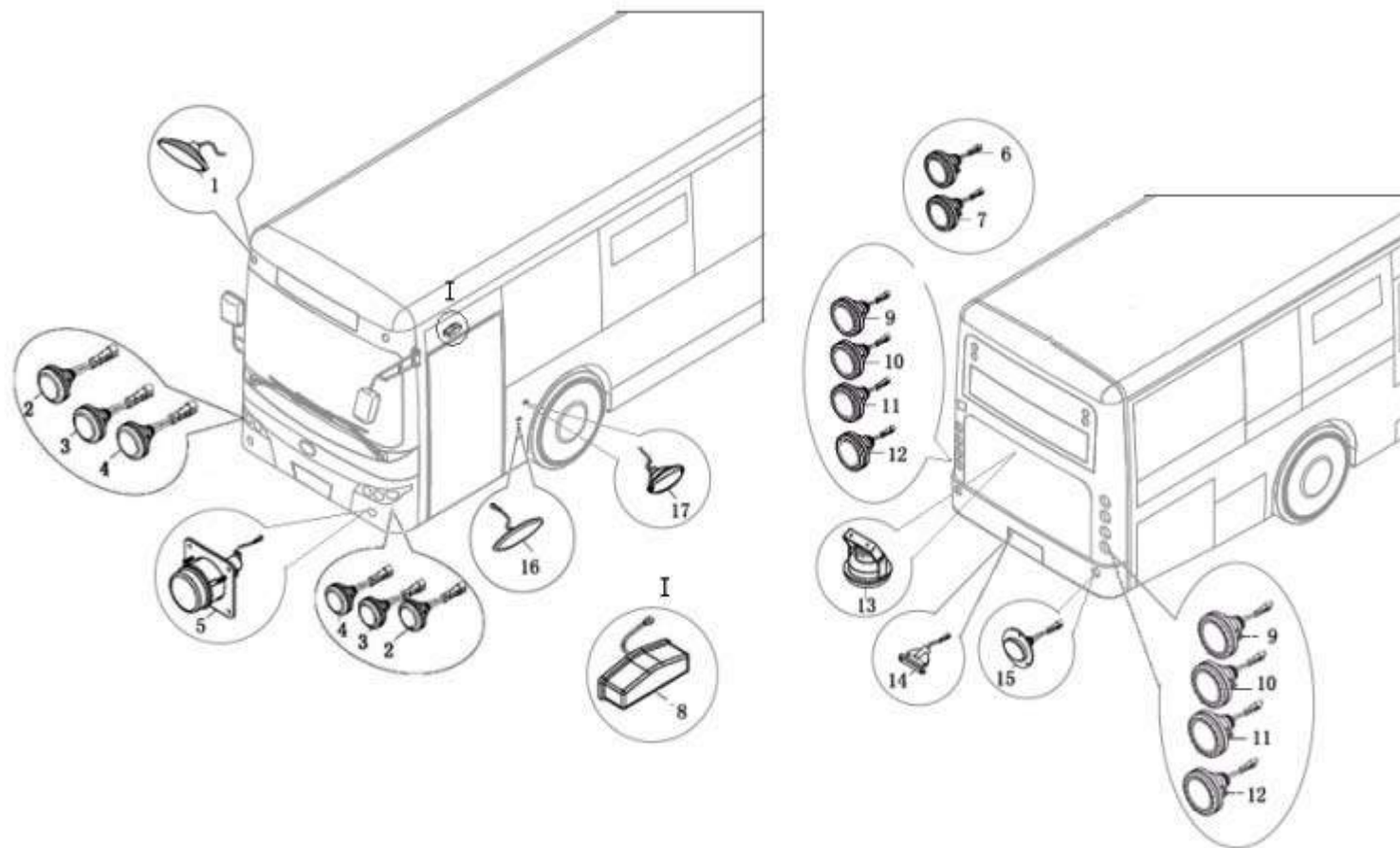
雨刮后视镜
Wiper and rearview mirror

序号 Item No.	零件代码 Part No.	中文名称 Chinese Name	英文名称 English Name	数量 Quantity	适用车型 Bus Model	备注 Notes
1	FJ-JL-RH.21.914.00-24V	申视新得右后视镜	Rearview mirror, right	1		RH.21.914.00-24V
2	FJ-JL-LH.22.913.00-24V	申视新得左后视镜	Rearview mirror, Left	1		LH.22.913.00-24V
	279500310	刮水器总成	Wiper assy	1		
3		右雨刮臂	Right wiper arm	1		
4	DQ-YGQ-ZD2733-004	雨刮片	Wiper blade	2		
5		雨刮连杆	Connecting rod, wiper	1		暂无代码
6	DQ-YGQ-ZD2733A-001	雨刮器电机	Motor, wiper	1		
7		左雨刮臂	Left wiper arm	1		暂无代码
8	DQ-XD-206	洗涤器	Syringe	1		



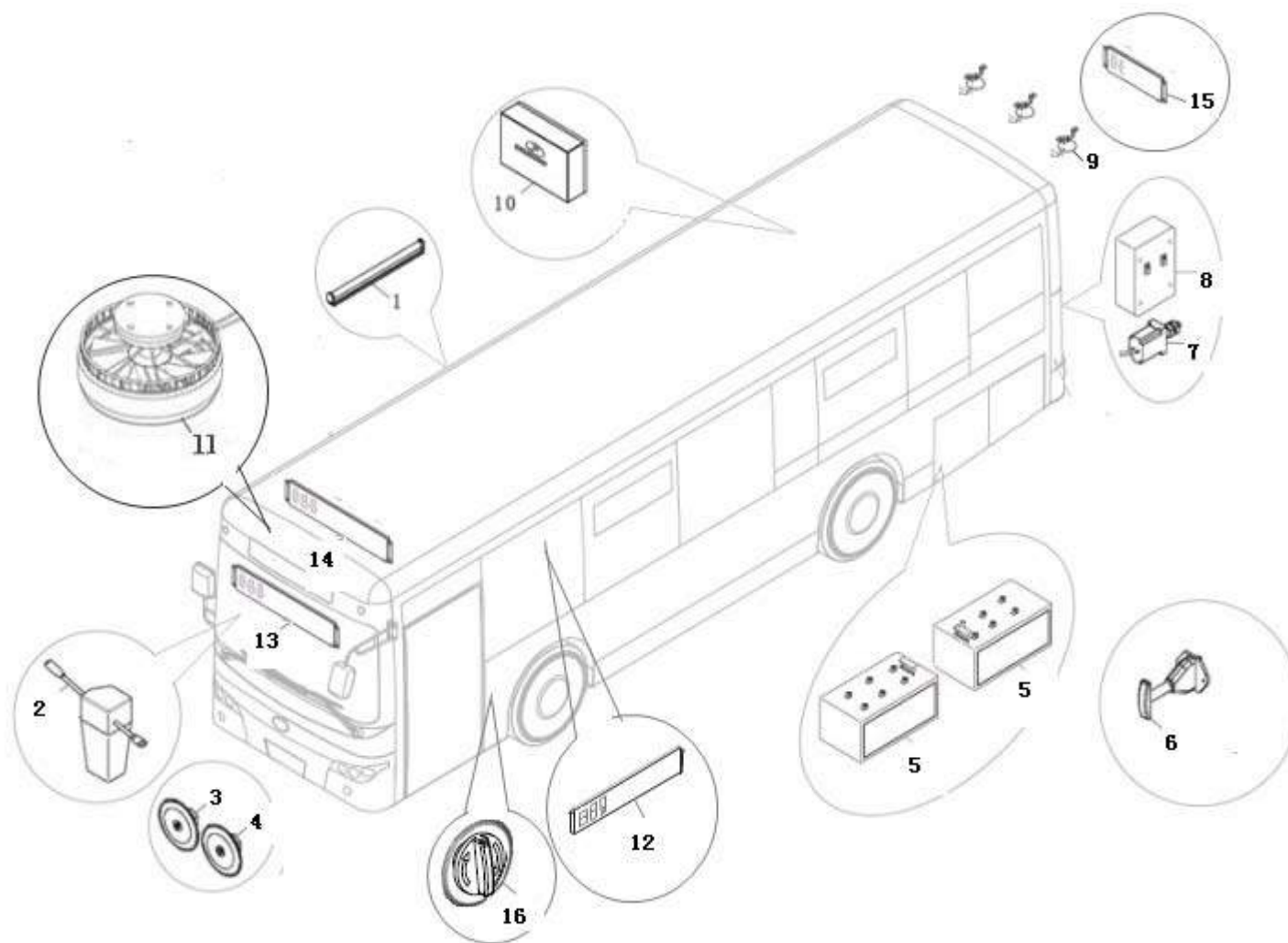
车身附件
Body accessory

序号 Item No.	零件代码 Part No.	中文名称 Chinese Name	英文名称 English Name	数量 Quantity	适用车型 Bus Model	备注 Notes
1	8204110Q1E-1	鑫凯达整幅手动遮阳帘 (右置英文)	Sun blind, manual	1		(1m)
	8204180Q1	鑫凯达手动售票处遮阳帘	Sun blind, manual	1		(1100mm)
2	8221150Q3	吊挂式电子钟(时间/温度显示)	Electronic clock	1		(HDSD195-03)
3	8228110-001QX	灭火器总成(2KG/英文)	Fire extinguisher 2KG	1		
	FJ-MHQ-6KG	灭火器总成(6kg)	Fire extinguisher 6KG	2		
4	PJ-STOP	停车按钮	Stop button	2		
5	8201110Q1	鑫凯达车内后视镜(大巴)	Rearview mirror, inner	1		
6	8223300HC	安全锤带固定链装置	Safety hammer	10		
7	5703270LD	丹阳天窗(DS-910B)	Scuttle	1		



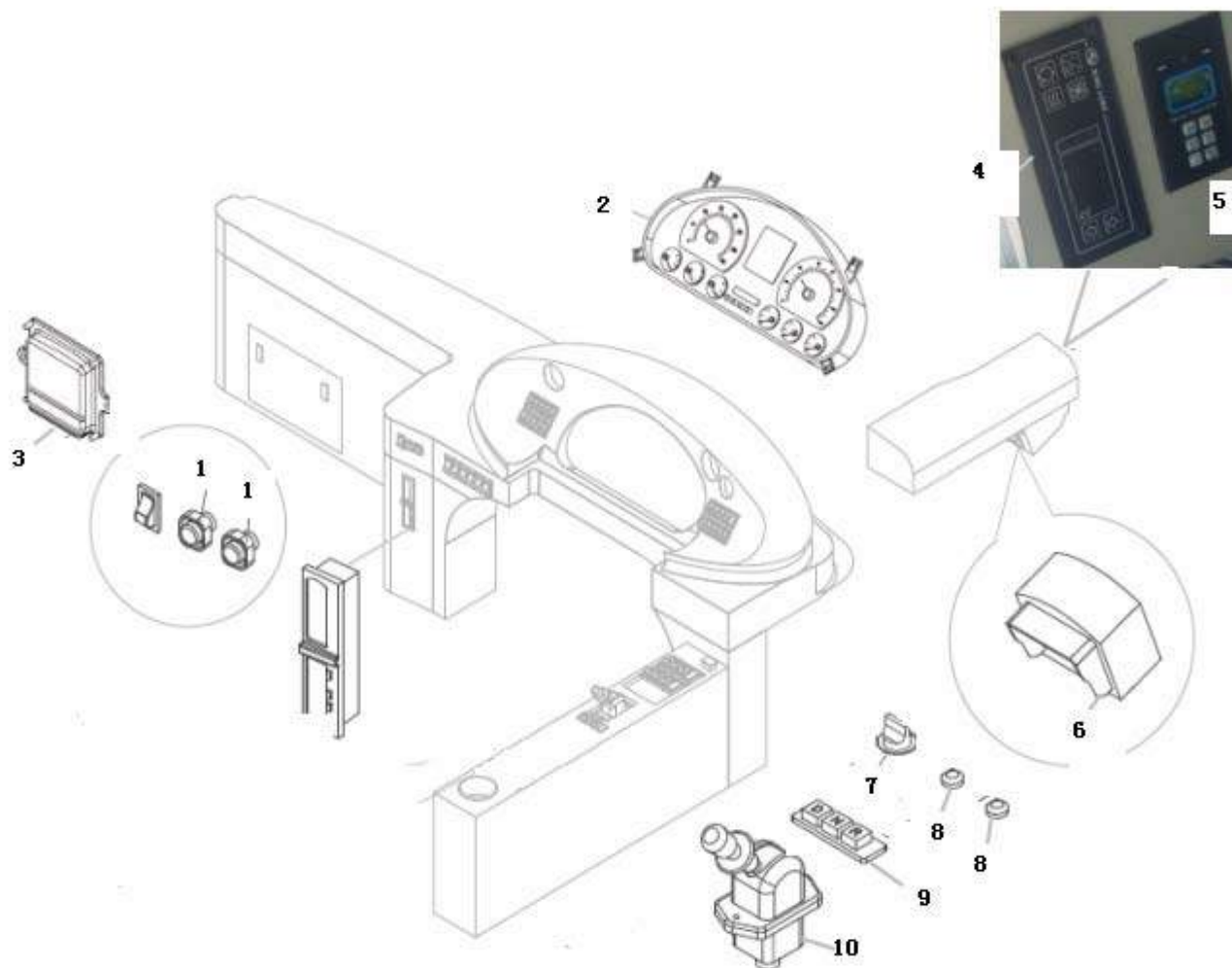
灯具
Lamp

序号 Item No.	零件代码 Part No.	中文名称 Chinese Name	英文名称 English Name	数量 Quantity	适用车型 Bus Model	备注 Notes
1	WG-3.80-2(F)	前示廓灯	Front indicator lamp	2		
2	236100140	组合前灯	Front combined lamp	2		
3	236300040	近光灯	Low beam	2		
4	236300030	远光灯	High beam	2		
5	236400030	前雾灯	Front fog lamp	2		
6	3723410LS	文光后示廓灯(3.80-2)	Rear indicator lamp	2		
7	3722410LS	文光后辅助转向灯(3.80-2)	Rear assistant steering lamp	2		只有AC600001这台车有装, 其余的车, 因欧盟标准要求, 取消此灯。
8	DJ-MD-198*68-6103G	门廊灯 (SK198X68L)	Door lamp	1		
9	236300120	后转向灯	rear direction lamp	2		
10	236200130	制动灯	Brake lamp	2		
11	236600190	后位置灯	rear position lamp	2		WG100E后位灯
12	236200120	倒车灯	Reverse lamp	2		
13	236500060	照明灯-发动机仓	Engine cabin lamp	1		
14	3722320LS	文光牌照灯(WG-2/短)	License lamp	2		
15		后反光片	Rear reflector			
16	3723010LS	文光信号灯(WG3.80-2/24V)	Signal lamp	2		
17	6110Y-0000-3723011	WG-3CA侧转向灯	Side steering lamp	2		



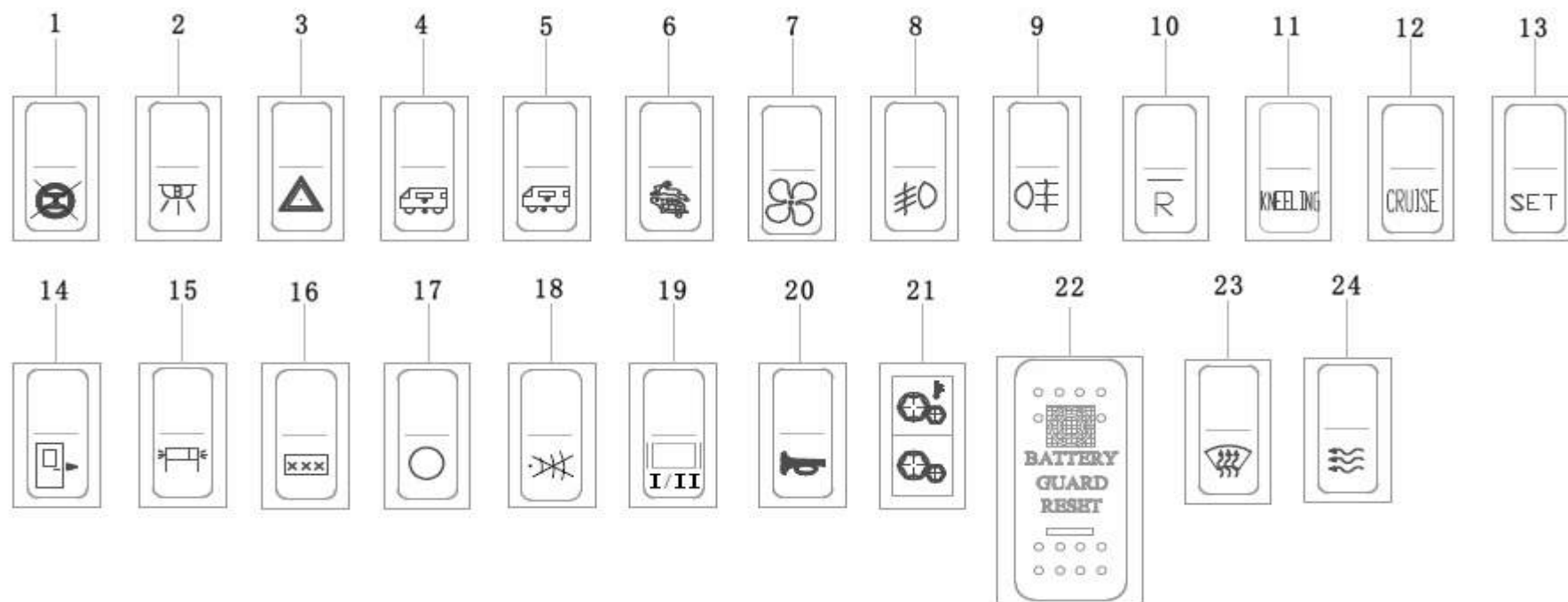
电器
Electrical equipment

序号 Item No.	零件代码 Part No.	中文名称 Chinese Name	英文名称 English Name	数量 Quantity	适用车型 Bus Model	备注 Notes
1	DJ-NDD-1-1	日光灯(1米)	Daylight lamp	15.1		
2	3730310UU	日光灯组合开关 (JK3078)	Combined switch	1		
3	H01426127Y-0000-3721010	赛歌高音电喇叭	althorn	1		
4	H01426127Y-0000-3721020	赛歌低音电喇叭	bass horn	1		
5	3703420-014QT	蓄电池(风帆200Ah)	Accumulator	2		
6	238700180	电源总开关	Power Master switch	1		
7	3800161	发动机仓门开关	Switch, engine cabin	1		
8	3730420-003KY	新型后起动开关盒 (CQ1022)	Rear start-up switch box	1		
9	FJ-MHQ-ZCM-3C-2	脉冲超细干粉灭火器(改进型)	Dry powder fire extinguisher	3		
10	3730410-002NJ	长宇电控盒(CQ2025-C)	Electrical control box	1		
11	279500360	司机风扇	Fan	1		
12	H0016127R-0000-5501060	侧电子路牌TD-05(3字/2588)	Guidepost, side	1		279300790
13	279300760	前路牌	Guidepost, front	1		
14	6122R1-0000-7912020	车内信息屏	Information Screen, inside	1		279300070
15	279300750	后路牌	Guidepost, rear	1		
16	6180K-0000-6205200	JF105乘客门应急阀	Door control vavle	2		
	3800146I2	STOP显示屏LED-01(公交车)	Stop displaying screen	1		



仪表台
Instrument desk

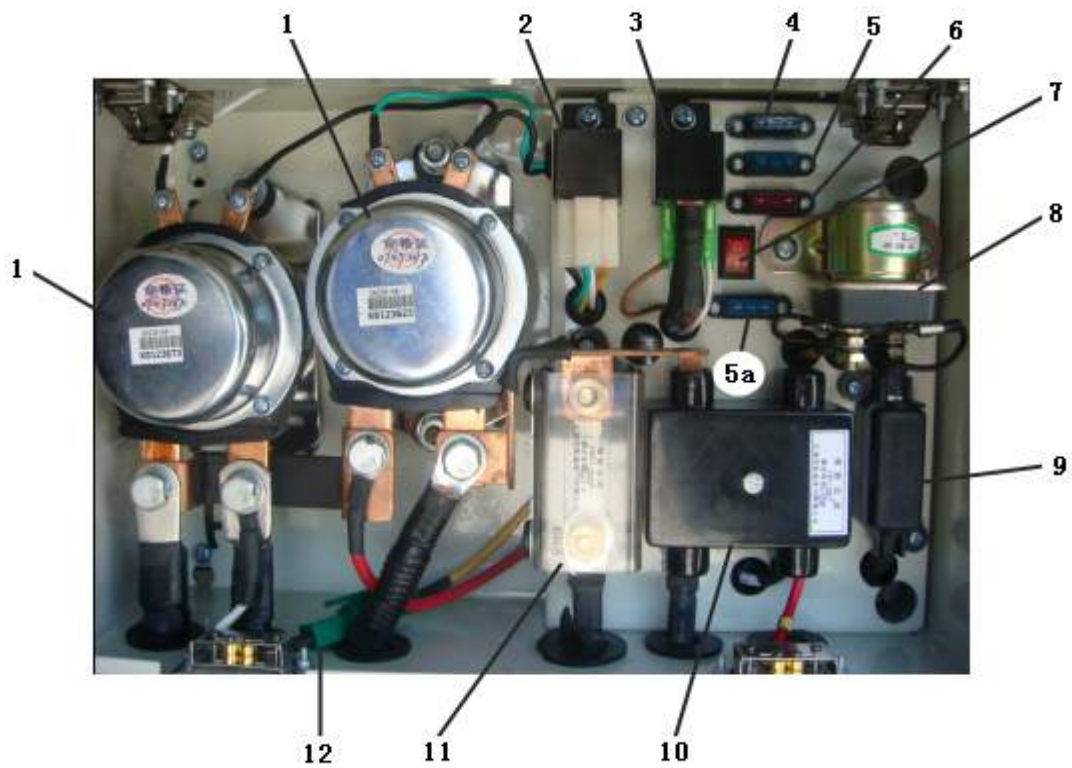
序号 Item No.	零件代码 Part No.	中文名称 Chinese Name	英文名称 English Name	数量 Quantity	适用车型 Bus Model	备注 Notes
1	FJ-JL-SWFDc05-3	申视电动外后视镜控制开关	Regulating switch, rearview mirror	2		
2	238500070	总线仪表	CAN instrument	1		
3	H02446900Y-0000-3800510	VDO行车记录仪(DTCO 1381)	Running recorder	1		
4	SK-17-1	空调控制面板	Control panel, air conditioner	1		
5		路牌控制器	Controller, guidepost			
6	7911110-032SJ	(K01)	Colour back sight system	1		
7		加热器开关	Switch, heater	1		
8	279500350	点烟器	cigar lighter	2		
9		变速箱控制面板	Control pannel, transmission	1		变速器带
10	3800431	手制动气压开关	Switch, hand brake	1		(DQ-BJQ-3832V)
	7901210-004	厦华车载MP3播放器AC-7920B	MP3 player	1		





翘板开关及 指示灯
Switch and indicator light

序号 Item No.	零件代码 Part No.	中文名称 Chinese Name	英文名称 English Name	数量 Quantity	单位 Unit	备注 Notes
1	3800101-002LU	缓速器关闭开关	Switch, retarder off	1		
2	3800102	日光灯开关	Switch , daylight lamp	4		
3	3800103-003	紧急灯开关	Switch, emergency lamp	1		
4	3800138LU	升降开关	Switch, lifting	1		
5	3800139LU	车身复位开关	Switch, body reset	1		
6		动力模式/经济模式 转换开关	Switch, powerful/abstemious transfer	1		
7	3800107	换气扇开关	Switch , ventilator	3		
8	3800108	前雾灯开关	Switch , front fog lamp	1		
9	3800109	后雾灯开关	Switch , rear fog lamp	1		
10	3800115	倒车监视器开关	Switch , reverse monitor	1		
11	3800138-005	Kneeling开关	Switch, Kneeling	1		
12	3800125-004	巡航开关	Switch , cruise	1		
13	3800126	巡航设置开关	Switch , cruise setting	1		
14	3800134LU	乘客门开关	Switch , passenger door	1		
15	3800221LU	外路牌开关	Switch , exterior guidepost	1		
16	3800223LU	内路牌开关	Switch, inside guidepost	1		
17	3800128-002LU	应急开关	Switch, emergency	1		
18	238202120	蜂鸣器解除开关	Switch, buzzer release	1		
19		视频切换开关	Switch, video transition	1		
20	3800114-001	喇叭开关	Switch , horn	1		
21	3800141-021LU	变速器油温过高/变速器故障	Indicator lamp, transmission oil temp too high/ transmission fault	1		
22	279400900	电池管理系统	battery management system	1		
23		送风开关	Switch, blowing			除霜厂家提供
24		除霜开关	Switch , defroster	1		除霜厂家提供



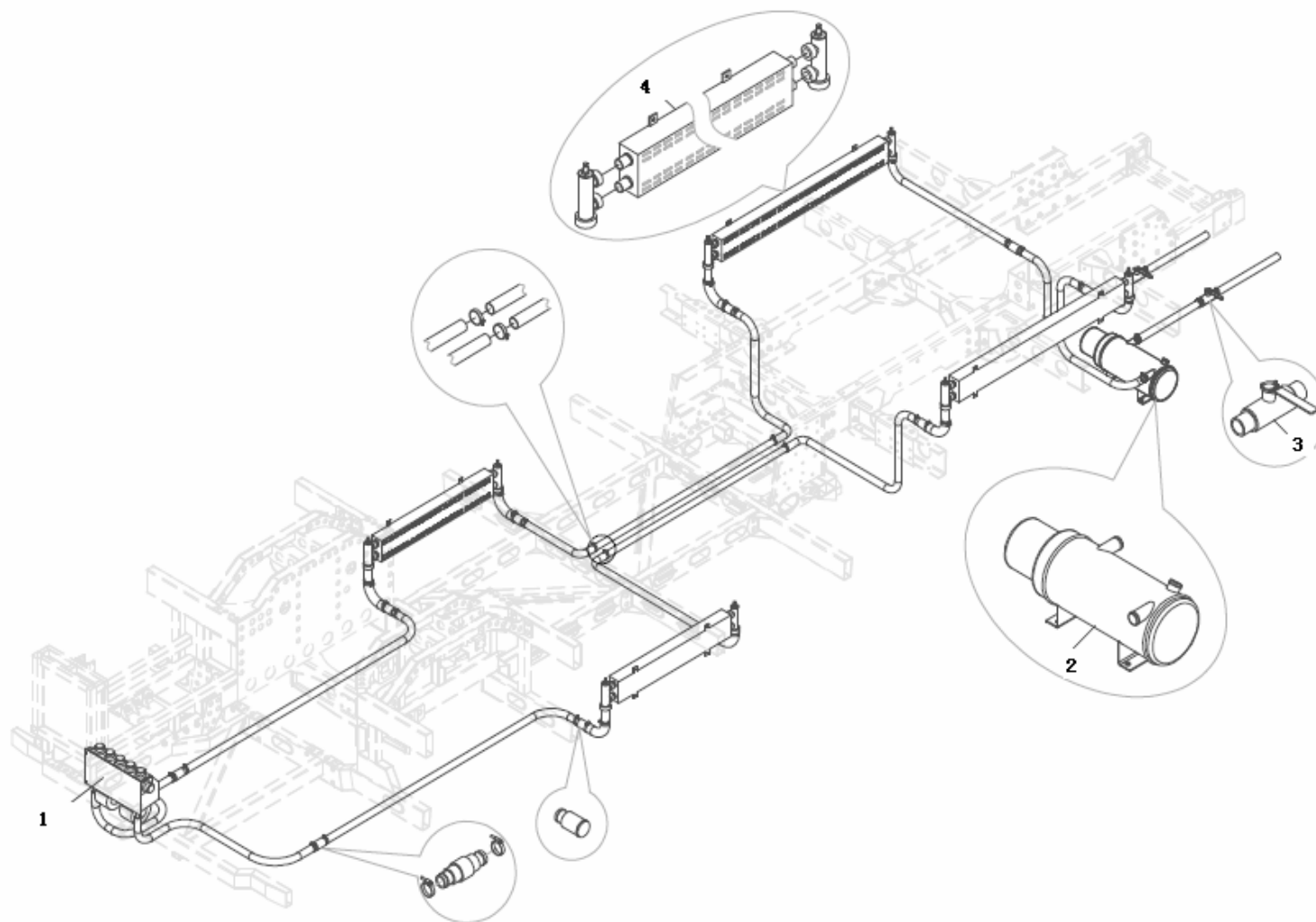


开关控制盒
Switch control box

序号 Item No.	零件代码 Part No.	中文名称 Chinese Name	英文名称 English Name	数量 Quantity	单位 Unit	备注 Notes
1	3730915-002NJ	长宇电源总开关 (DK236)	Power master switch	2		
2	Q-QDBHJDQ-12V	启动保护继电器	Relay, startup protective	1		
3	897H-1AH-C1	继电器	Relay	1		
4	3730801-001	保险片 (5A)	Fuse 5A	1		
5	3730801-003	备2保险片 (15A)	Fuse 2 (15A)	1		
	3730801-003	备1保险片 (15A)	Fuse 1 (15A)	1		
6	3730801-002	保险片 (10A)	Fuse 10A	1		
7	QBKG6	翘板开关	Toggle switch	1		
8	3730913UV	启动继电器(JD234)	Relay, startup	1		
9	3730801-40A	40A 保险片	Fuse 40A	1		
10	3730801-30A	30A 保险片	Fuse 30A	1		
	3730801-50A	50A 保险片	Fuse 50A	1		
11	3730801-150A	150A保险片	Fuse 150A	1		
12	YRX35A	35A易熔线	Fusible wire 35A	1		

电器元件
Electrical unit

序号 Item No.	零件代码 Part No.	中文名称 Chinese Name	英文名称 English Name	数量 Quantity	单位 Unit	备注 Notes
	3800601-002TA	西门子前部模块(MUX-2B/1)	Module, front part	1		
	3800602-003TA	西门子行李仓模块(MUX-2B/2)	Module, luggage compartment	1		
	3800603-003TA	西门子顶蓬模块(MUX-2B/4)	Module, roof	1		
	3800621-001TA	西门子后部模块(MUX-2B/3)	Module, rear part	1		
	3800492-011	报警蜂鸣器 (37K1R)	Alarm buzzer	1		
	3800802	倒车报警蜂鸣器(38N-18010)	Buzzer, reverse	1		

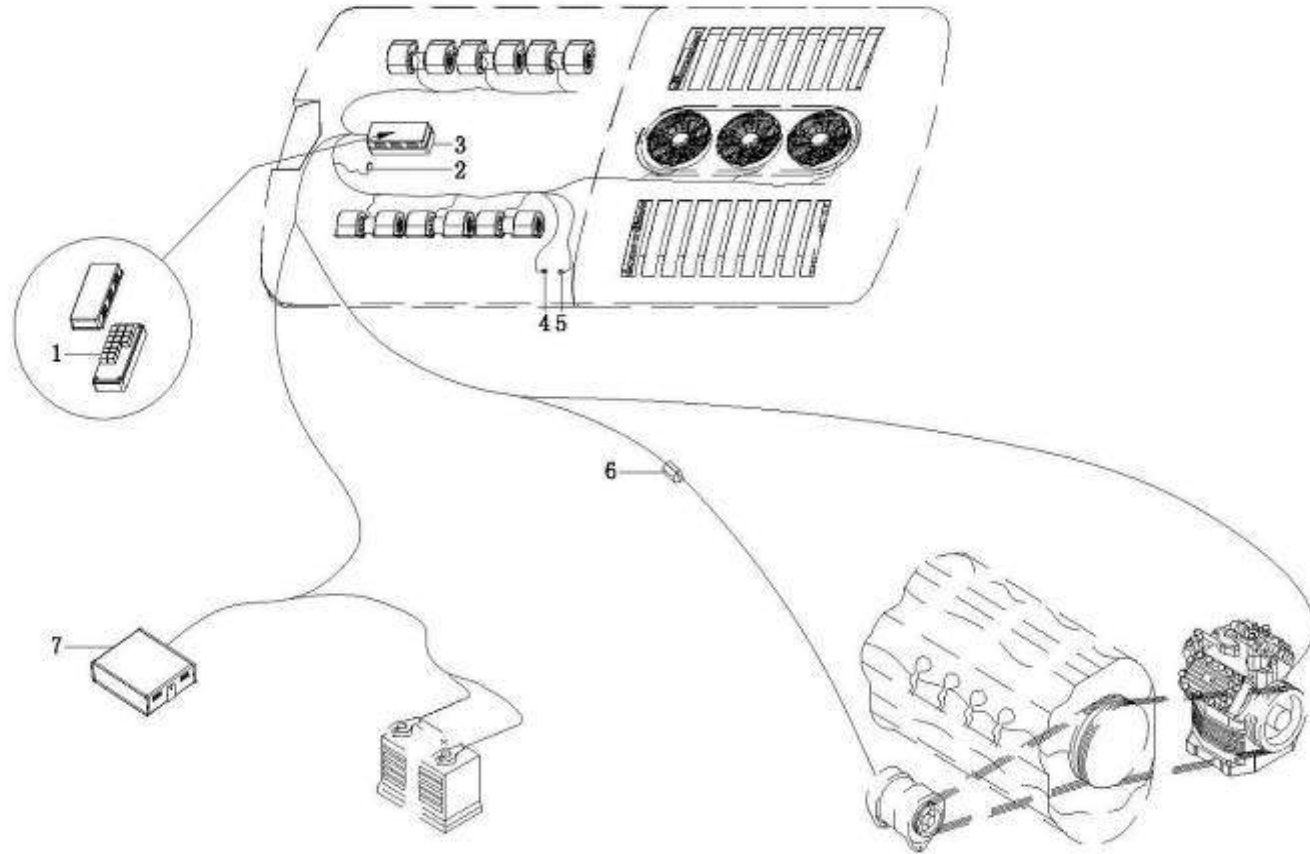




水暖除霜
Water heater and defroster

序号 Item No.	零件代码 Part No.	中文名称 Chinese Name	英文名称 English Name	数量 Quantity	单位 Unit	备注 Notes
1	8102110-213GA	南风除霜机CS-7D/94	Defroster	1		281200610
2	GW7046900Y-0000-8101210	伟巴斯托加热器Thermo230	Heater	1		281100250
3	8101102AE	京威铜球阀(DN-38)	brass ball value	3		281100010
4	8101410-102GA	南风加密散热片(4000)	Radiator	5.5m		281200230
	8102102-201GA	除霜机胶管φ50*400	Rubber pipe, defrosterφ50*400	1		361500060
	8102102-202GA	除霜机胶管φ50*500	Rubber pipe, defrosterφ50*500	1		361500080
	8102102-203GA	除霜机胶管φ50*600	Rubber pipe, defrosterφ50*600	1		361500100
	8102102-204GA	除霜机胶管φ50*700	Rubber pipe, defrosterφ50*700	1		361500120
	8102102-205GA	除霜机胶管φ50*800	Rubber pipe, defrosterφ50*800	1		361500140
	8102102-208GA	除霜机胶管φ50*1200	Rubber pipe, defrosterφ50*1200	1		361500200
	8102102-209GA	除霜机胶管φ50*1400	Rubber pipe, defrosterφ50*1400	1		361500220

AC-XY-01-XMQ6900 电器线束图 (KL-IIC)
WIRING HARNESS SKETCH

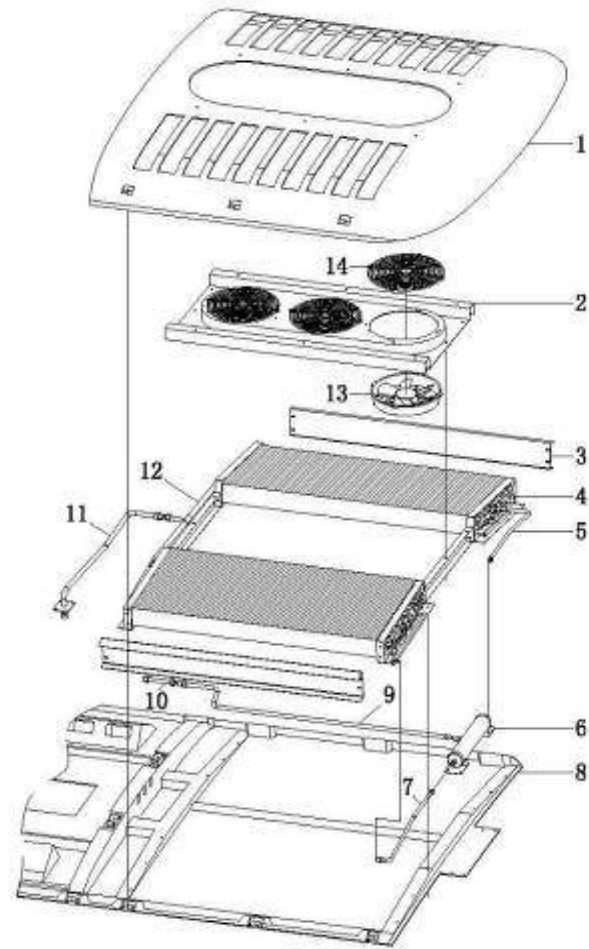


AC-XY-01-XMQ6900 电器线束图 (KL-IIC)

WIRING HARNESS SKETCH

序号 Item No.	零件代码 Part No.	中文名称 Chinese Name	英文名称 English Name	数量 Quantity	适用车型 Bus Model	备注 Notes
1	HFV4 024-121G-D	继电器	Relay	15		
2	5KΩ	感温探头	Temperature sensor	1		
3	SAT II -C	电器盒	Electric components box	1		
4	2.35MPA/1.65MPA	高压开关	High pressure switch	1		
5	0.04MPA/0.14MPA	低压开关	Low pressure switch	1		
6	FBC2-200 200A	保险总成	Safety unit	1		
7	SK-4	控制面板	Control panel	1		

AC-XY-02-XMQ6900 冷凝器的构成
CONDENSER COMPONENTS

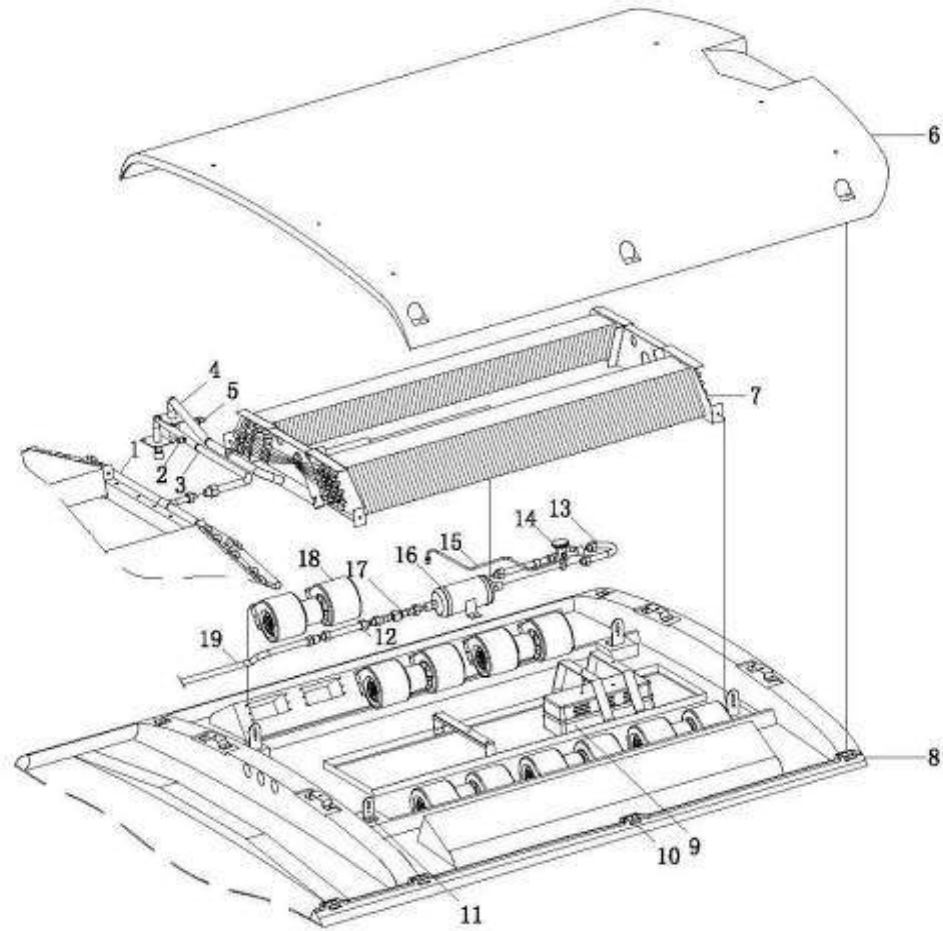


AC-XY-02-XMQ6900 冷凝器的构成

CONDENSER COMPONENTS

序号 Item No.	零件代码 Part No.	中文名称 Chinese Name	英文名称 English Name	数量 Quantity	适用车型 Bus Model	备注 Notes
1	19090205001	冷凝器盖板	Cover for condensor	1		
2	19090207001	冷凝器风机板	Condenser fan plank	1		
3	19090205000	冷凝器挡风板	The windshield for condenser coil	2		
4	19090204000	冷凝器芯组件	The condenser coil	1		
5	16120204400	冷凝器出液管组件-1	The liquid tube unit-out from the condenser-1	1		
6	16120207001	储液瓶	Receiver	1		
7	16120210000	储液瓶进液连接管	The liquid tube-into the receiver	1		
8	19101101002	壳体总成	Shell assembly	1		
9	19090206000	储液瓶出液连接管	The liquid tube-out from the receiver	1		
10	16120111002	干燥瓶进液管	The liquid tube-into the drier filter	1		
11	19092103000	冷凝器进气连接管	The connecting gas tube-into the condenser	1		
12	16120204300	冷凝器进气管组件	The gas tube unit-into the condenser	1		
13	SPAL-66A	冷凝器风机	Condenser fan	3		
14	00000401102	风罩	Fan shield	3		
	GB5783-96	十字槽沉头螺丝	Crisscross bolt	13		M6×25
	GB5783-96	内六角盘头螺钉	Internal hexagonal bolt	18		M6×30
	GB5783-96	六角螺栓	Hexagonal bolt	40		
	GB5783-96	垫圈	Washer	60		
	GB5783-96	弹簧垫圈	Spring washer	40		φ6
	GB5783-86	螺母	Nut	40		M6

AC-XY-03-XMQ6900 蒸发器的构成
EVAPORATOR COMPONENTS



AC-XY-03-XMQ6900 蒸发器的构成

EVAPORATOR COMPONENTS

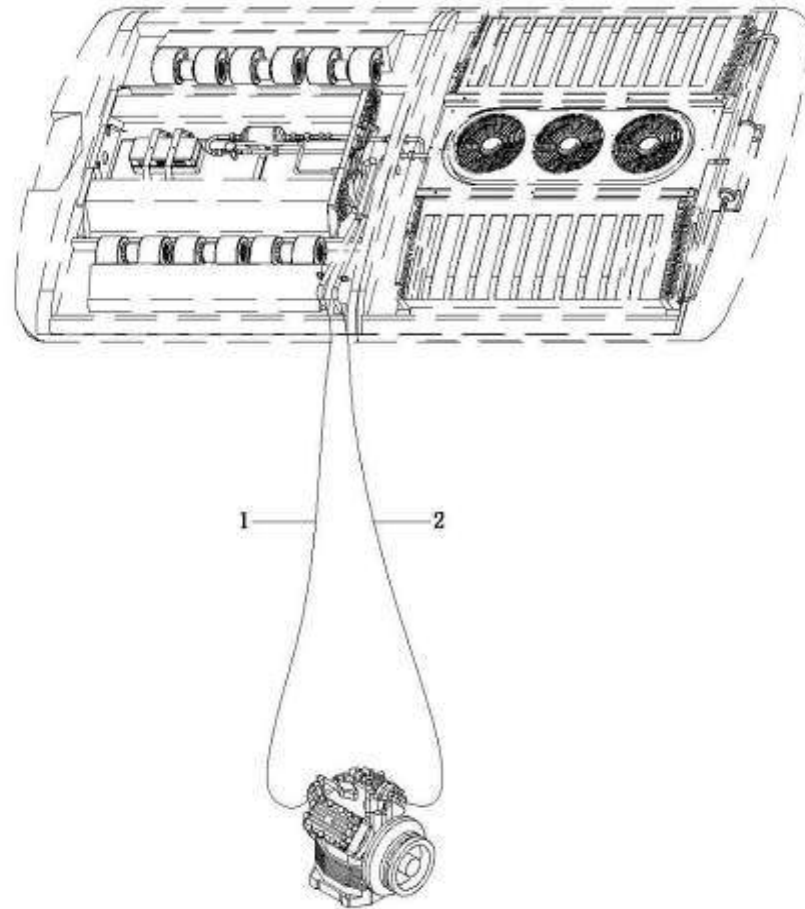
序号 Item No.	零件代码 Part No.	中文名称 Chinese Name	英文名称 English Name	数量 Quantity	适用车型 Bus Model	备注 Notes
1	16120204300	冷凝器进气管组件	The gas tube unit-into the	1		
2	2.35MPA/1.65MPA	高压开关	High pressure switch	1		
3	19092103000	冷凝器进气连接管	The connecting gas tube-into the	1		
4	19092102200	蒸发器回气管组件	The gas tube unit-out from the	1		
5	0.04MPA/0.14MPA	低压开关	Low pressure switch	1		
6	19090109001	蒸发器盖板	Cover for evaporator	1		
7	19092102000	蒸发器芯总成	The evaporator unit	1		
8	19101101002	壳体总成	Shell assembly	1		
9	SAT II -C	电器盒	Electric components box	1		
10	16120101300	螺母板组件	The nut-plank unit	16		
11	16010106000	蒸发器芯固定角铝	The fasten plank for evaporator coil	4		
12	16120111002	干燥瓶进液管	The liquid tube-into the drier filter	1		
13	16120112001	干燥瓶至截止阀连接管	The connecting tube drier filter to	1		
14	DANFOSS TDEN 6.2T	膨胀阀	Thermo expansion valve	1		
15	16122133000	平衡管	Balance tube	1		
16	16120102101	蒸发器分液管组件	The liquid distributor unit	1		
16	10007402	干燥瓶	The drier filter	1		
17	SGN 16S	视液镜	Sight glass	1		
18	00000100401	蒸发器风机	Evaporator blower	6		
19	19090206000	储液瓶出液连接管	The liquid tube-out from the	1		
	GB5783-86	螺栓	Bolt	40		M6×25
	GB5783-86	垫圈	Washer	40		φ6
	GB818-85	十字槽盘头螺钉	Crisscross bolt	60		M4×16

AC-XY-03-XMQ6900 蒸发器的构成

EVAPORATOR COMPONENTS

序号 Item No.	零件代码 Part No.	中文名称 Chinese Name	英文名称 English Name	数量 Quantity	适用车型 Bus Model	备注 Notes
	GB5783-96	内六角盘头螺钉	Internal hexagonal bolt	18		
	GB5783-86	螺母	Nut	40		M6
	GB5783-86	弹簧垫圈	Spring washer	40		

AC-XY-04-XMQ6900 外部管路连接
EXTERIOR PIPELINE LINK



AC-XY-04-XMQ6900 外部管路连接

EXTERIOR PIPELINE LINK

序号 Item No.	零件代码 Part No.	中文名称 Chinese Name	英文名称 English Name	数量 Quantity	适用车型 Bus Model	备注 Notes
1	φ28	吸气软管	Suction tube	1		
2	φ22	排气软管	Discharge tube	1		