



File No. :PC-2013-UK-97

Version: NO.1

XMQ6130Y parts catalog

(United Kingdom)

Vehicle No. DE200012

Edit Jeremy Date 2013-11-7

Review Eileen Date 2013-11-8

Approve Sannies Date 2013-11-8

Issue Eileen Date 2013-11-8

Xiamen King Long United Automotive Industry Co. Ltd.

Preface

Dear users of Kinglong Bus:

Thanks for your choice of Kinglong Bus!

King Long company takes human-oriented, penetrates active service to every tache of before sales and after sales is our service principle. In order to fulfill our services in a better way, we have made “ XMQ6130Y Parts Catalog. This catalog has included the name, code, specification, quantity of the parts constituting the assembly or systems and the installation relationship pictures among various parts for your reference at maintenance and buying parts.

To make certain you can buy correct King Long bus parts, you should pay attention to the following notes when you buy XMQ6130Y series buses parts of King Long company:

1. “XMQ6130Y Parts Catalog” is only applicable to XMQ6130Y series buses of King Long Company, it is unavailable for other types;
2. With the increasing improvement of product structure or technology and new requirements raised by users, there may be some difference between partial structures of products you have bought and the related introduction to them in this book. In such a case, the practical object should be followed. You are kindly required to make such information as bus type, production No. and part code known to us for the correct supply of your desired parts at buying. We will replenish and perfect this atlas constantly at a proper time, we are truly sorry to bring you inconvenience before the correcting ;
3. To make certain the quality of the parts you buy, please purchase the parts at king long service stations、 franchised dealers、 spares department at Kinglong bus headquarter and retail center.

“XMQ6130Y Parts Catalog” is designed by Kinglong United Automotive Industry Co. , Ltd. . And you are kindly required to point out the unavoidable defects for the increasing perfection of this atlas.

We sincerely express our thanks for your concern and deep favor for Kinglong Bus, and also wish you and your unit a thriving business and plain sailing!

Parts consultation telephone:+86- 592-6370857

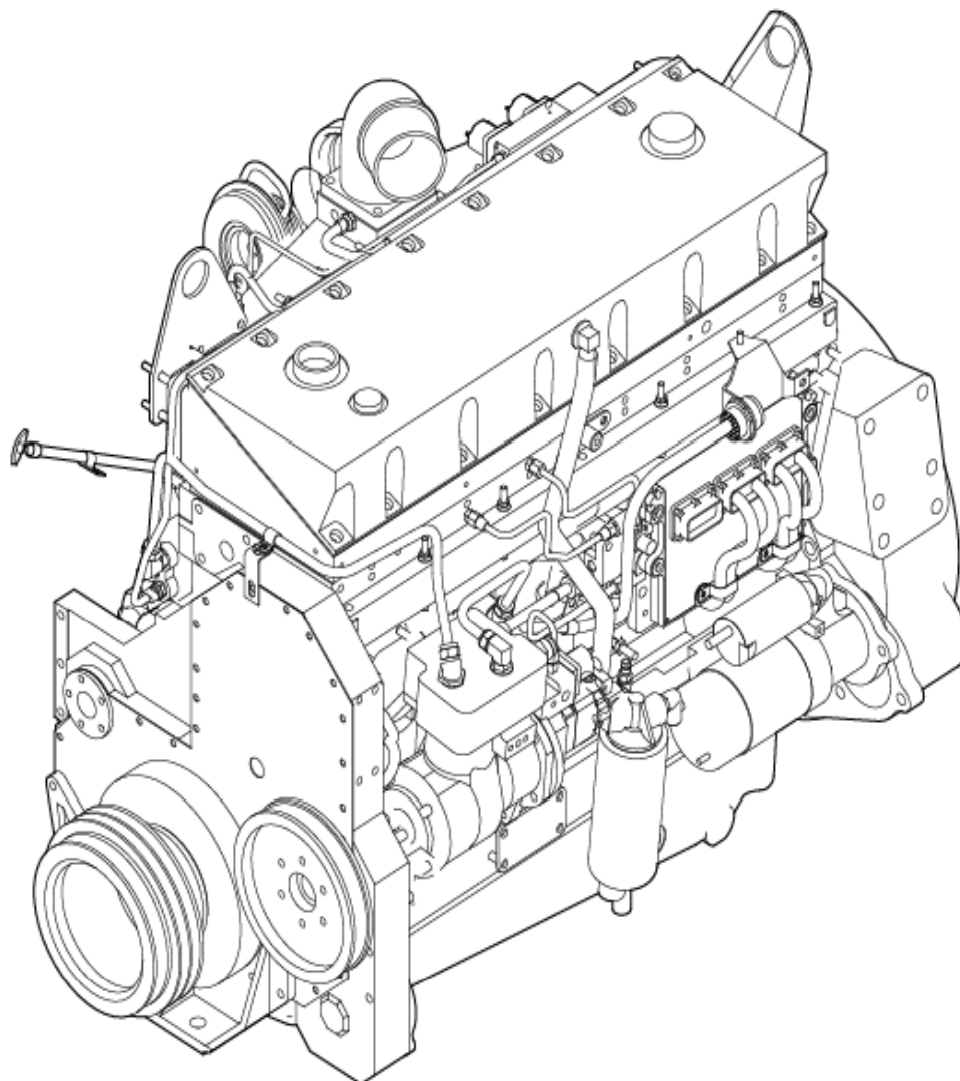
Fax : :+86- 592-6371120

Xiamen King long United Automotive Industry Co. , Ltd,

Nov., 2013

目录 CONTENTS

Engine assey	1
Engine accessories	146
Transmission	162
Propeller shaft	242
Front axle assy	244
Rear axle assy	268
Subjoin axle assy	293
Wheel	311
Steering system	313
Brake system	317
Body components	321
Inner trim	338
Body accessories	350
Wiper and rear-view mirror mechanism	352
Electrical equipment	354
Instrument and central control system	360
Air-conditioning system	365



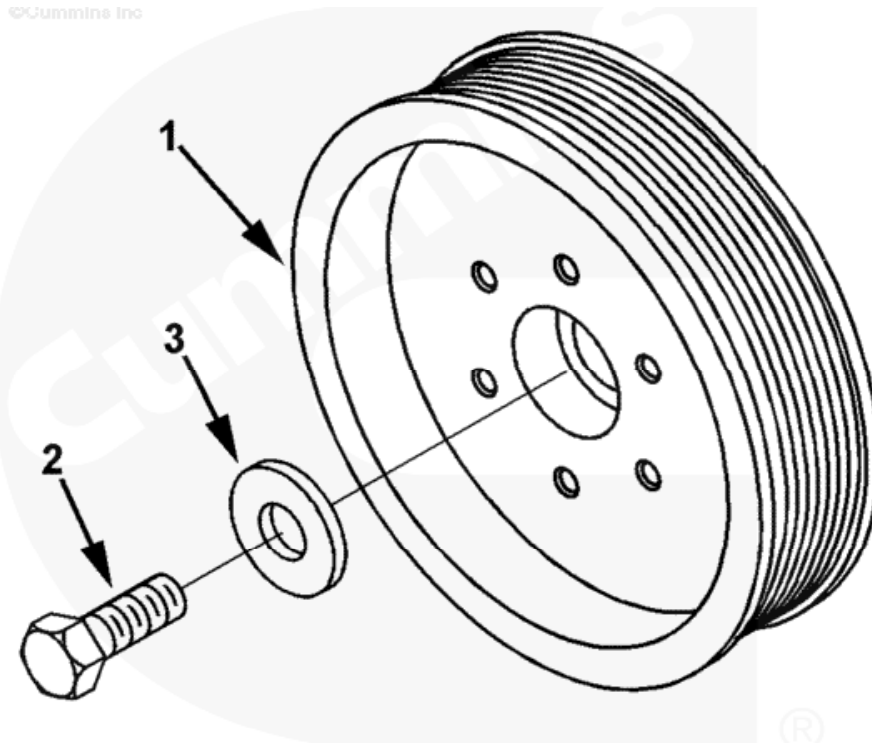


发动机总成 210102990

Engine

序号 Item No.	零件代码 Part No	中文名称 Chinese Name	英文名称 English Name	数量 Quantity	单位 Unit	备注 Notes
	210102990	发动机总成 型号: ISM11E5440, S074900 额定功率:318kW 最大扭矩:2080N.m 额定转速:1900rpm 排放等级:欧 V 排量: 10.8L 机油等级: API CH-4或更高	Engine assy Engine Model: ISM11E5440,S074900 Rated Power: 318kW Max torque: 2080N.m Rated speed: 1900rpm Emission levels: Europe V Displacement: 10.8L Oil Level: API CH-4 or higher			

附件驱动皮带轮
Belt pulley

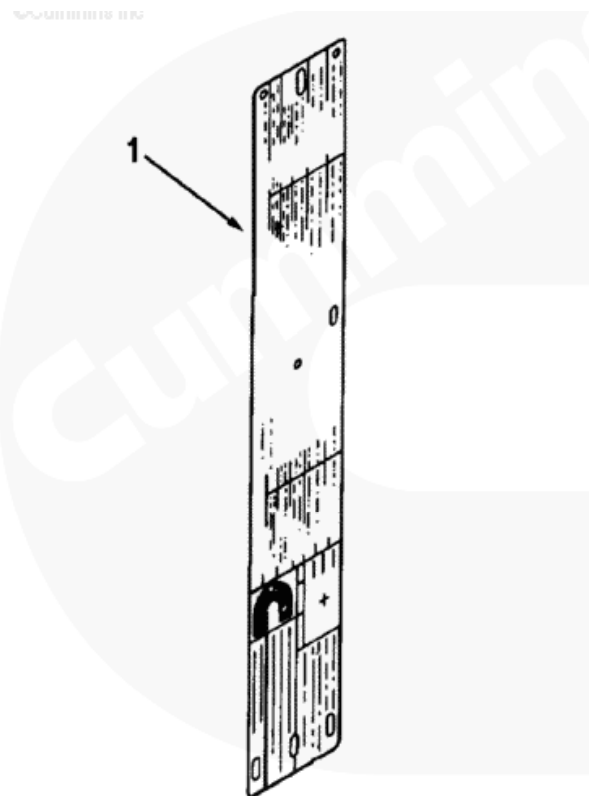


附件驱动皮带轮

Belt pulley

序号 Item No.	零件代码 Part No	中文名称 Chinese Name	英文名称 English Name	数量 Quantity	单位 Unit	备注 Notes
1	299002582	皮带轮	Pulley, Accessory Drive	1		
2	299006944	六角头螺栓	Screw, Hexagon Head Cap	1		M20 x 2.50 x 50
3	299006946	平垫圈	Washer, Plain	1		M20

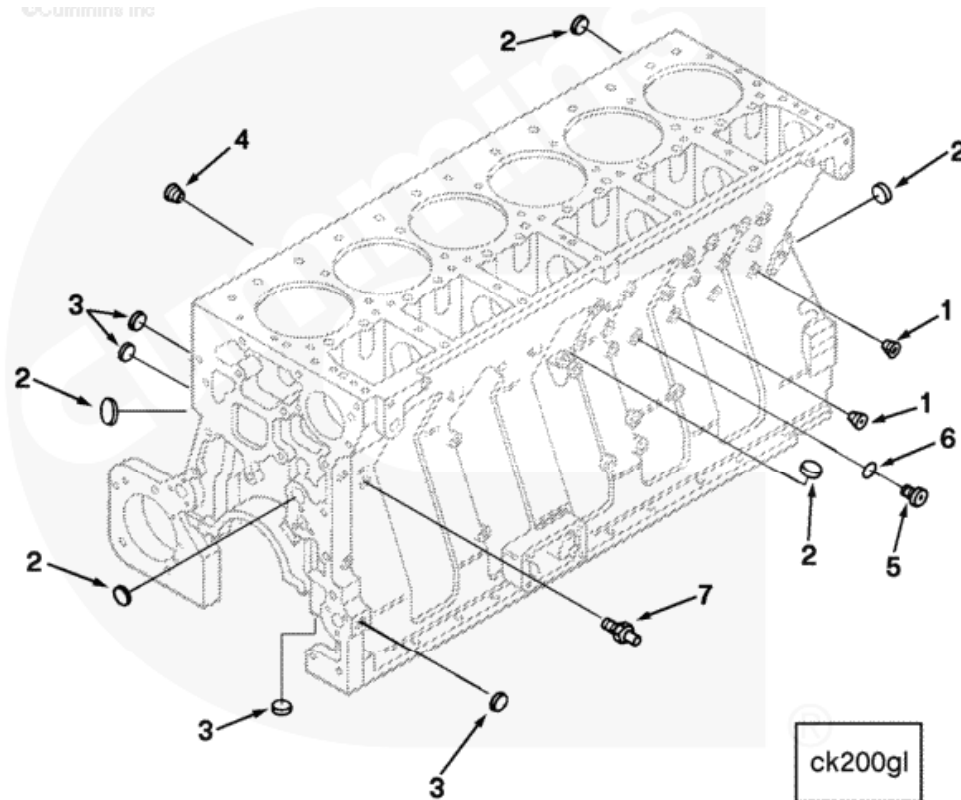
认证
Certified label



认证
Certified label

序号 Item No.	零件代码 Part No	中文名称 Chinese Name	英文名称 English Name	数量 Quantity	单位 Unit	备注 Notes
1	4973892	铭牌	Dataplate	1		

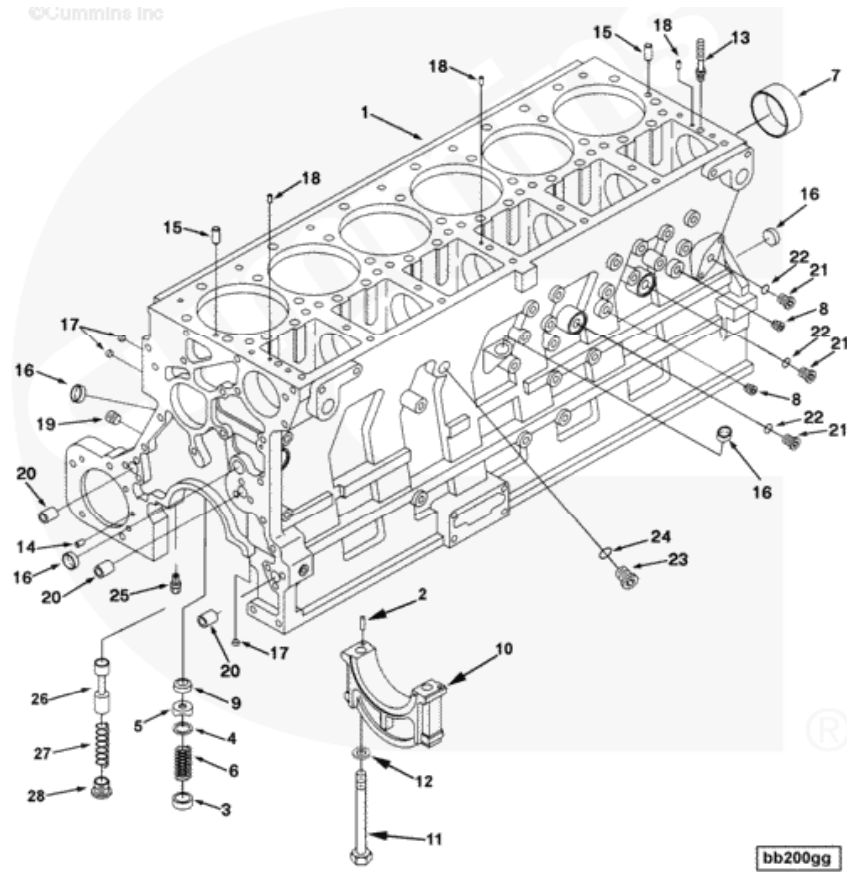
缸体管路
Pipeline,Cylinder block



缸体管路
Pipeline, Cylinder block

序号 Item No.	零件代码 Part No	中文名称 Chinese Name	英文名称 English Name	数量 Quantity	单位 Unit	备注 Notes
1	299006114	管塞	Plug, Pipe	2		1/4 NPT
2	299006109	膨胀塞	Plug, Expansion	4		
3	299006108	膨胀塞	Plug, Expansion	9		
4	299006115	管塞	Plug, Pipe	1		1/2 NPT
	299006220	螺塞	Plug, Threaded	1		9/16 - 18 UNF
5	299006227	螺塞	Plug, Threaded	1		
6	299006221	O 形密封圈	Seal, O Ring	1		
7	299006239	连接管接头	Nipple, Coupling	1		

缸体
Cylinder block



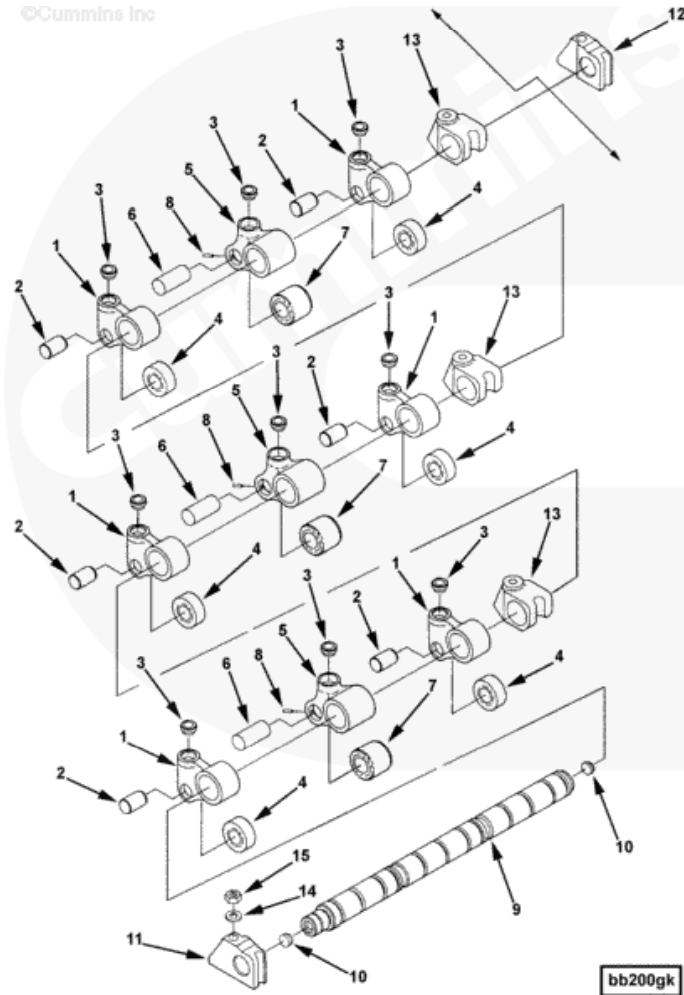
缸体
Cylinder block

序号 Item No.	零件代码 Part No	中文名称 Chinese Name	英文名称 English Name	数量 Quantity	单位 Unit	备注 Notes
	299019095	缸体	Block, Cylinder			kits.
1	299016811	缸体	Block, Cylinder	1		
2	299006013	定位销	Dowel, Pin	2		
3	299006024	固定塞	Plug, Retainer	1		
4	299006129	平垫圈	Washer, Plain	1		3/4 Inch.
5	299006130	阀片	Disc, Valve	1		
6	299006131	压缩弹簧	Spring, Compression	1		
7	299016812	衬套	Bushing	7		
8	299006114	管塞	Plug, Pipe	2		1/4 NPT.
9	299006181	压力调节阀座	Seat, Prs Regulator Valve	1		
10	299016813	主轴盖	Cap, Main Bearing	1		
10	299008497	主轴承盖	Cap, Main Bearing	5		
10	299006182	主轴承盖	Cap, Main Bearing	1		
	299006925	六角头螺栓组件	Kit, Screw Hex Head Cap	14		
11	299006560	六角头螺栓	Screw, Hexagon Head Cap	14		M14 x 1.50 x 160
12	299006156	平垫圈	Washer, Plain	14		1/2 Inch.
13	299007069	双头螺栓	Stud	7		M10 x 1.00 x 50
14	299005931	定位销	Dowel, Pin	1		
15	299006005	定位销	Dowel, Pin	2		
16	299006109	膨胀塞	Plug, Expansion	4		
17	299006108	膨胀塞	Plug, Expansion	9		
18	299006111	定位销	Dowel, Pin	3		
19	299006115	管塞	Plug, Pipe	1		1/2 NPT
20	299006178	环形定位销	Dowel, Ring	3		

缸体
Cylinder block

序号 Item No.	零件代码 Part No	中文名称 Chinese Name	英文名称 English Name	数量 Quantity	单位 Unit	备注 Notes
	299006220	螺塞	Plug, Threaded	4		9/16 - 18 UNF
21	299006227	螺塞	Plug, Threaded	1		
22	299006221	O 形密封圈	Seal, O Ring	1		
	299006248	螺塞	Plug, Threaded	1		3/4 - 16 UNF
23	299012673	螺塞	Plug, Threaded	1		
24	299006247	O 形密封圈	Seal, O Ring	1		
25	299006295	粘度传感器	Sensor, Viscosity	1		Oil.
26	299006291	压力调节器柱塞	Plunger, Prs Regulator	1		
27	299006124	压缩弹簧	Spring, Compression	1		
28	299006987	固定塞	Plug, Retainer	1		
	299006258	定位销	Dowel, Pin	1		Replaces ref 20 for

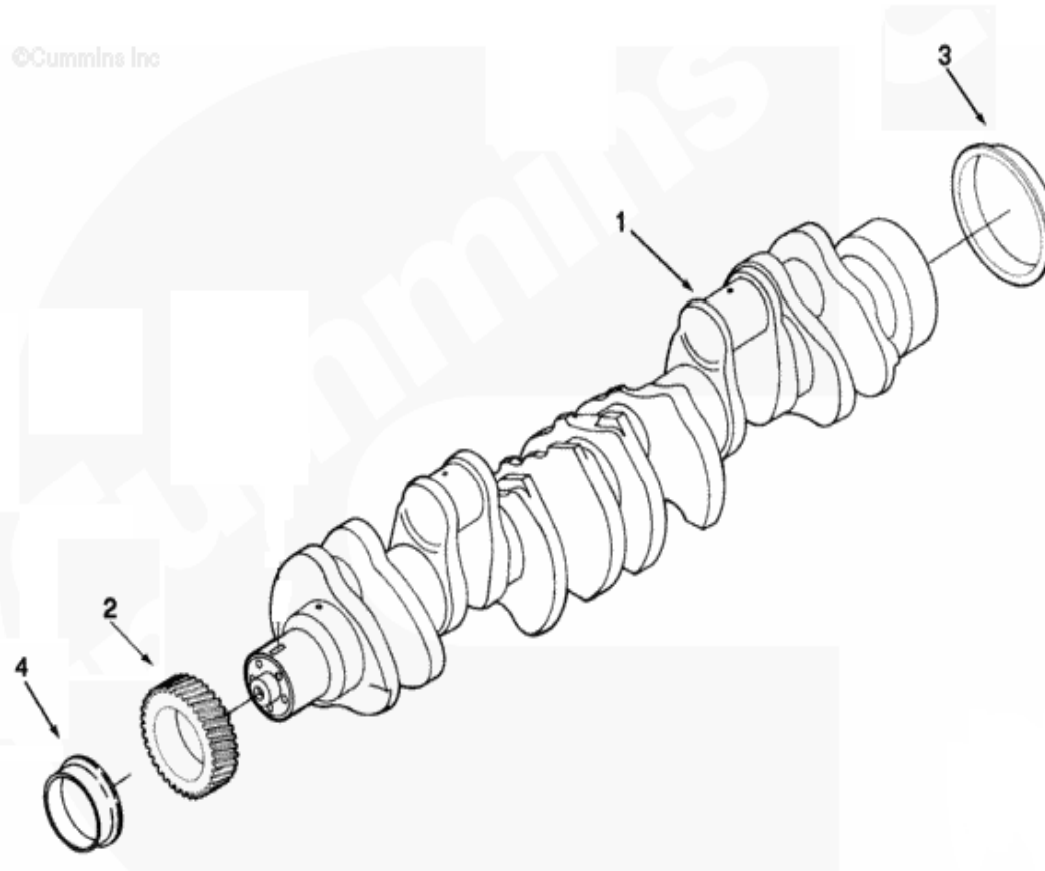
凸轮随动件壳体
Cam shell



凸轮随动件壳体
Cam shell

序号 Item No.	零件代码 Part No	中文名称 Chinese Name	英文名称 English Name	数量 Quantity	单位 Unit	备注 Notes
	299006416	凸轮轴随动件杆	Lever, Cam Follower	12		
1	299012630	凸轮从动杆	Lever, Cam Follower	1		
2	299006581	凸轮轴随动件滚轮销	Pin, Cam Follower Roller	1		
3	299006276	挺柱套筒	Socket, Tappet	1		
4	299006415	凸轮轴随动件滚轮	Roller, Cam Follower	1		
	299006662	凸轮轴随动件杆	Lever, Cam Follower	6		Injector
5	299012631	凸轮从动杆	Lever, Cam Follower	1		
6	299006581	凸轮轴随动件滚轮销	Pin, Cam Follower Roller	1		
3	299006276	挺柱套筒	Socket, Tappet	1		
7	299006415	凸轮轴随动件滚轮	Roller, Cam Follower	1		
8	299006194	空心定位销	Pin, Roll	1		
	299006665	凸轮轴随动件轴	Shaft, Cam Follower	2		
9	299012632	凸轮轴随动件轴	Shaft, Cam Follower	1		
10	299012633	膨胀塞	Plug, Expansion	2		
11	299006274	凸轮随动件轴支架	Support, Cam Fol Shaft	1		
12	299006275	凸轮随动件轴支架	Support, Cam Fol Shaft	1		
13	299007068	凸轮随动件轴支架	Support, Cam Fol Shaft	5		
14	299006121	平垫圈	Washer, Plain	7		M10
15	299006242	正六角螺母	Nut, Regular Hexagon	7		M10 x 1.50.

曲轴
Crankshaft

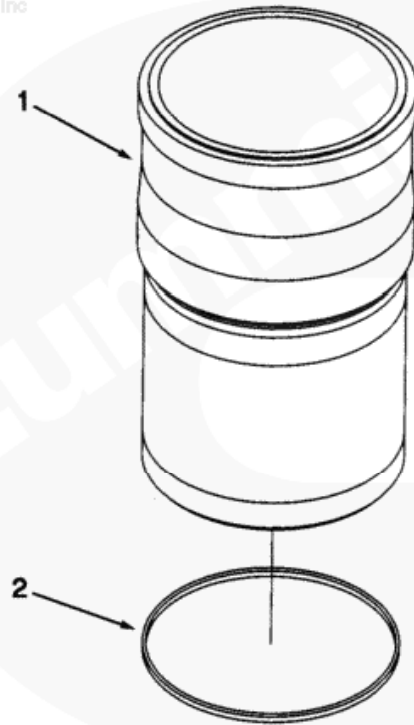


曲轴
Crankshaft

序号 Item No.	零件代码 Part No	中文名称 Chinese Name	英文名称 English Name	数量 Quantity	单位 Unit	备注 Notes
1	299021527	曲轴	Crankshaft, Engine	1		
3	299006344	曲轴正时齿轮	Gear, Crankshaft	1		
4	299021526	耐磨轴套	Sleeve, Wear	1		Rear
5	299006981	耐磨轴套	Sleeve, Wear	1		Front

缸套
Cylinder Liner

©Cummins Inc

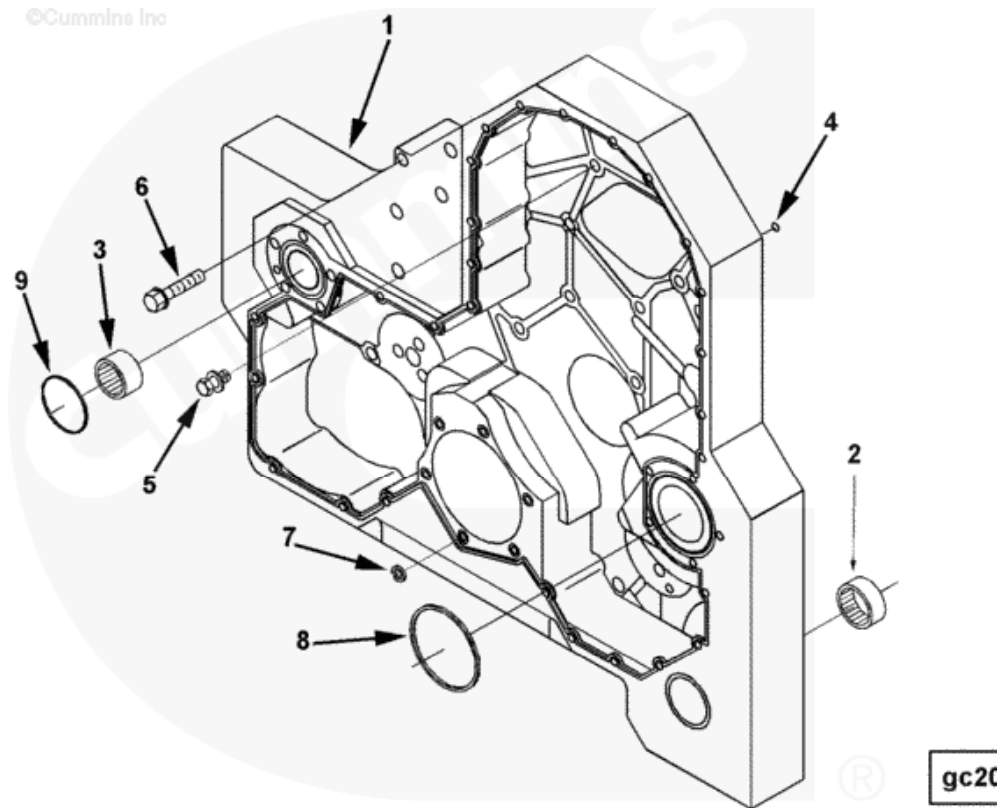


cy200gc

缸套
Cylinder Liner

序号 Item No.	零件代码 Part No	中文名称 Chinese Name	英文名称 English Name	数量 Quantity	单位 Unit	备注 Notes
	299006926	缸套组件	Kit, Cylinder Liner	6		
1	299010924	缸套	Liner, Cylinder	1		
2	299006252	矩形密封圈	Seal, Rectangular	1		
	299006199	垫片	Shim	A/R		0.005 inch
	299006209	垫片	Shim	A/R		0.008 inch

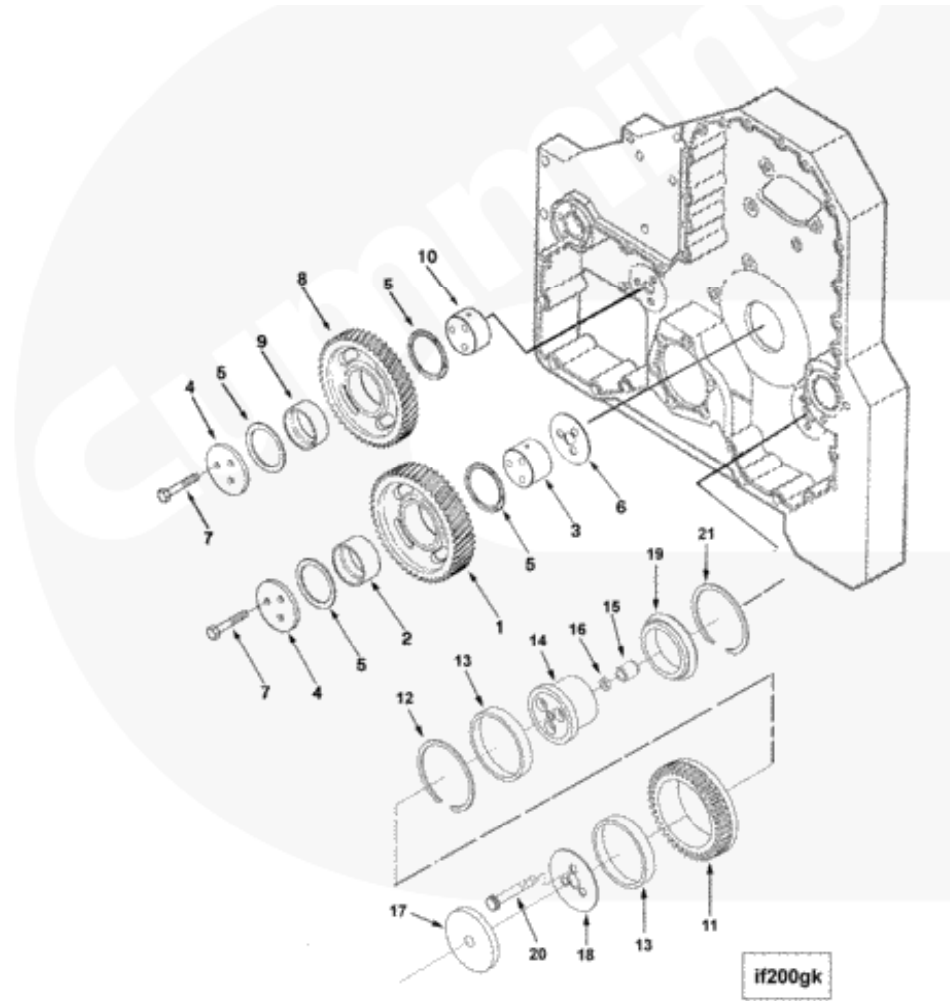
齿轮室
Gear Housing



齿轮室
Gear Housing

序号 Item No.	零件代码 Part No	中文名称 Chinese Name	英文名称 English Name	数量 Quantity	单位 Unit	备注 Notes
1	299016815	齿轮室	Housing, Gear	1		
2	299006167	滚针轴承	Bearing, Needle	1		
3	299007052	滚针轴承	Bearing, Needle	1		
4	299007018	O 形密封圈	Seal, O Ring	1		
5	299006938	垫圈螺栓	Screw, Captive Washer Cap	11		M10 x 1.50 x 25
6	299006965	垫圈螺栓	Screw, Captive Washer Cap	5		M10 x 1.50 x 50
7	299006437	矩形密封圈	Seal, Rectangular Ring	6		
8	299006983	矩形密封圈	Seal, Rectangular Ring	1		
9	299006984	矩形密封圈	Seal, Rectangular Ring	1		

惰齿轮
Idler Gears



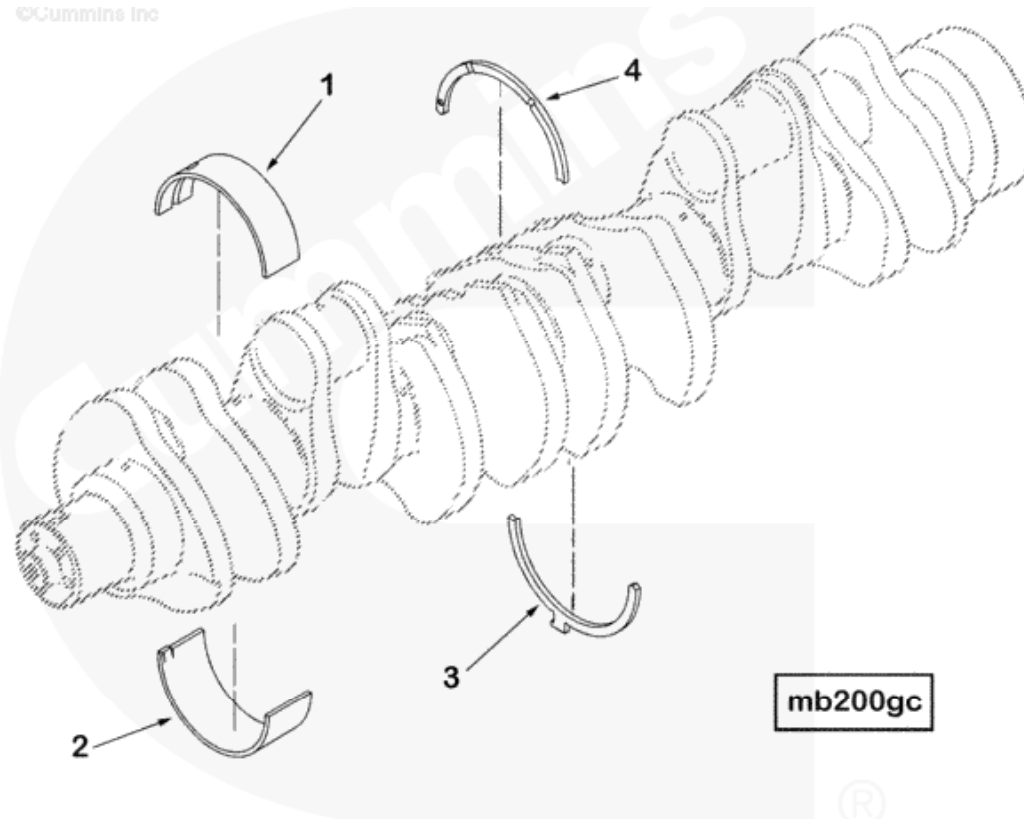
惰齿轮
Idler Gears

序号 Item No.	零件代码 Part No	中文名称 Chinese Name	英文名称 English Name	数量 Quantity	单位 Unit	备注 Notes
	299006345	惰轮齿轮	Gear, Idler			
1	299006344	曲轴正时齿轮	Gear, Crankshaft			
2	299006175	轴套	Bushing	1		
3	299006173	惰轮轴	Shaft, Idler	1		
4	299006179	齿轮挡圈	Retainer, Gear	1		
5	299016816	止推轴承	Bearing, Thrust	2		
6	299006351	止推轴承耐磨板	Plate, Thrust Bearing Wear	1		
7	299006352	六角头螺栓	Screw, Hexagon Head Cap	3		
	299006346	惰轮总成	Gear, Idler			
8	299012636	惰齿轮	Gear, Idler	1		
9	299006176	轴套	Bushing	1		
4	299006179	齿轮挡圈	Retainer, Gear	1		
5	299016816	止推轴承	Bearing, Thrust	2		
7	299006352	六角头螺栓	Screw, Hexagon Head Cap	3		M10 x 1.50 x 60
10	299006174	惰轮轴	Shaft, Idler	1		
	299021520	惰齿轮	Gear, Idler	1		
11	299021521	惰齿轮	Gear, Idler	1		
12	3161682	挡圈	Ring, Retaining	1		
13	299021523	滚轮轴承	Bearing, Roller	2		
14	299021522	惰轮轴	Shaft, Idler	1		
15	299006178	环形定位销	Dowel, Ring	1		
16	299007027	矩形密封圈	Seal, Rectangular Ring	1		
17	299007006	安装垫块	Spacer, Mounting	1		
18	3161523	安装垫块	Spacer, Mounting	1		

惰齿轮
Idler Gears

序号 Item No.	零件代码 Part No	中文名称 Chinese Name	英文名称 English Name	数量 Quantity	单位 Unit	备注 Notes
19	299021524	滚轮轴承	Bearing, Roller	2		M10 X 1.50 X 70.
20	3045853	12 角头螺栓	Screw, Twelve Point Cap	3		
21	3161682	挡圈	Ring, Retaining	1		

主轴承
Main bearing



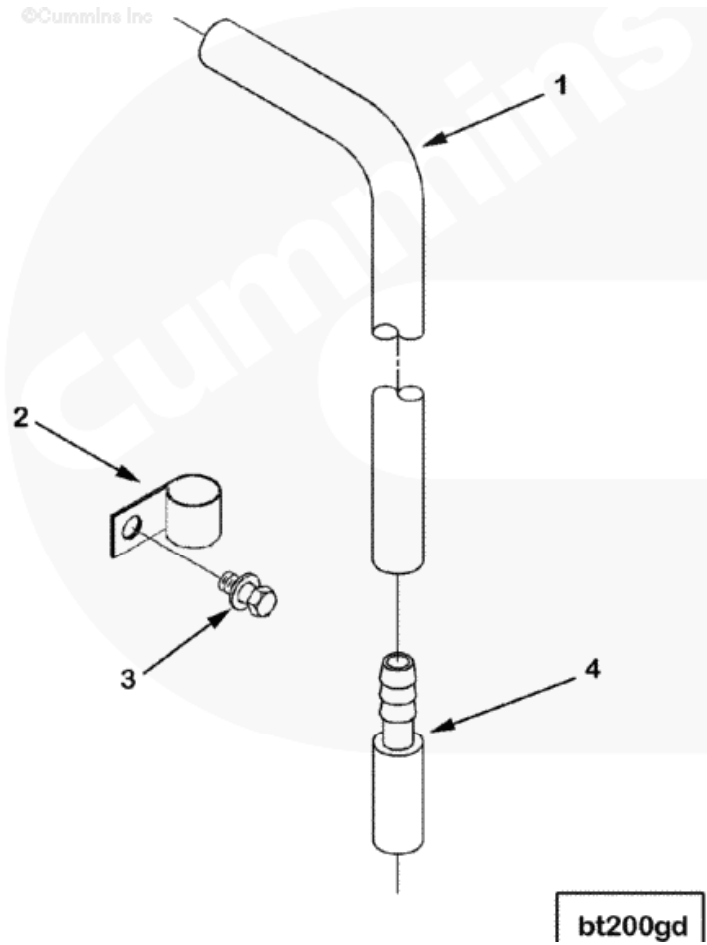
主轴承
Main bearing

序号 Item No.	零件代码 Part No	中文名称 Chinese Name	英文名称 English Name	数量 Quantity	单位 Unit	备注 Notes
	299008429	主轴承组	Set, Main Bearing	1		Std
1	299006139	主轴承	Bearing, Main	7		Upper
2	299006144	主轴承	Bearing, Main	7		Lower
3	299008757	止推轴承	Bearing, Thrust	2		No. 4 Main Standard
4	299008758	止推轴承	Bearing, Thrust	2		No. 4 Main Standard
	299008430	主轴承组	Set, Main Bearing	1		.25 mm oversize
1	299006140	主轴承	Bearing, Main	7		Upper
2	299006145	主轴承	Bearing, Main	7		Lower
3	299008757	止推轴承	Bearing, Thrust	2		No. 4 Main Standard
4	299008758	止推轴承	Bearing, Thrust	2		No. 4 Main Standard
	299008431	主轴承组	Set, Main Bearing	1		.50 mm oversize
1	299006141	主轴承	Bearing, Main	7		Upper
2	299006146	主轴承	Bearing, Main	7		Lower
3	299008757	止推轴承	Bearing, Thrust	2		No. 4 Main Standard
4	299008758	止推轴承	Bearing, Thrust	2		No. 4 Main Standard
	299008434	主轴承组	Set, Main Bearing	1		Std Pre 2004
1	299006139	主轴承	Bearing, Main	7		Upper
2	299006144	主轴承	Bearing, Main	7		Lower
4	299008758	止推轴承	Bearing, Thrust	4		No. 4 Main Standard
	299008435	主轴承组	Set, Main Bearing	1		.25 mm oversize Pre 2004
1	299006140	主轴承	Bearing, Main	7		Upper
2	299006145	主轴承	Bearing, Main	7		Lower
4	299008758	止推轴承	Bearing, Thrust	4		No. 4 Main Standard
	299008436	主轴承组	Set, Main Bearing	1		.50 mm oversize Pre 2004

主轴承
Main bearing

序号 Item No.	零件代码 Part No	中文名称 Chinese Name	英文名称 English Name	数量 Quantity	单位 Unit	备注 Notes
1	299006141	主轴承	Bearing, Main	7		Upper
2	299006146	主轴承	Bearing, Main	7		Lower
4	299008758	止推轴承	Bearing, Thrust	4		No. 4 Main Standard

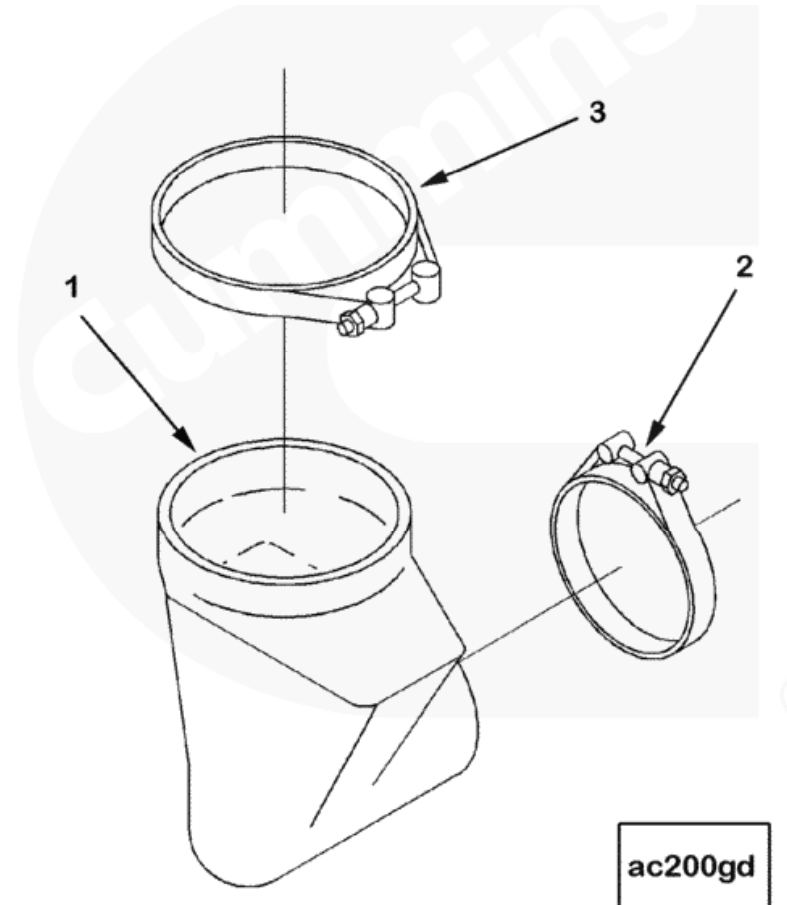
曲轴箱呼吸器
Breather, Crankcase



曲轴箱呼吸器
Breather,Crankcase

序号 Item No.	零件代码 Part No	中文名称 Chinese Name	英文名称 English Name	数量 Quantity	单位 Unit	备注 Notes
1	299006620	普通软管	Hose, Plain	1		
2	299012638	卡箍	Clip	1		
3	299006938	垫圈螺栓	Screw, Captive Washer Cap	1		M10 x 1.50 x 25
4	299006953	呼吸器管	Tube, Breather	1		

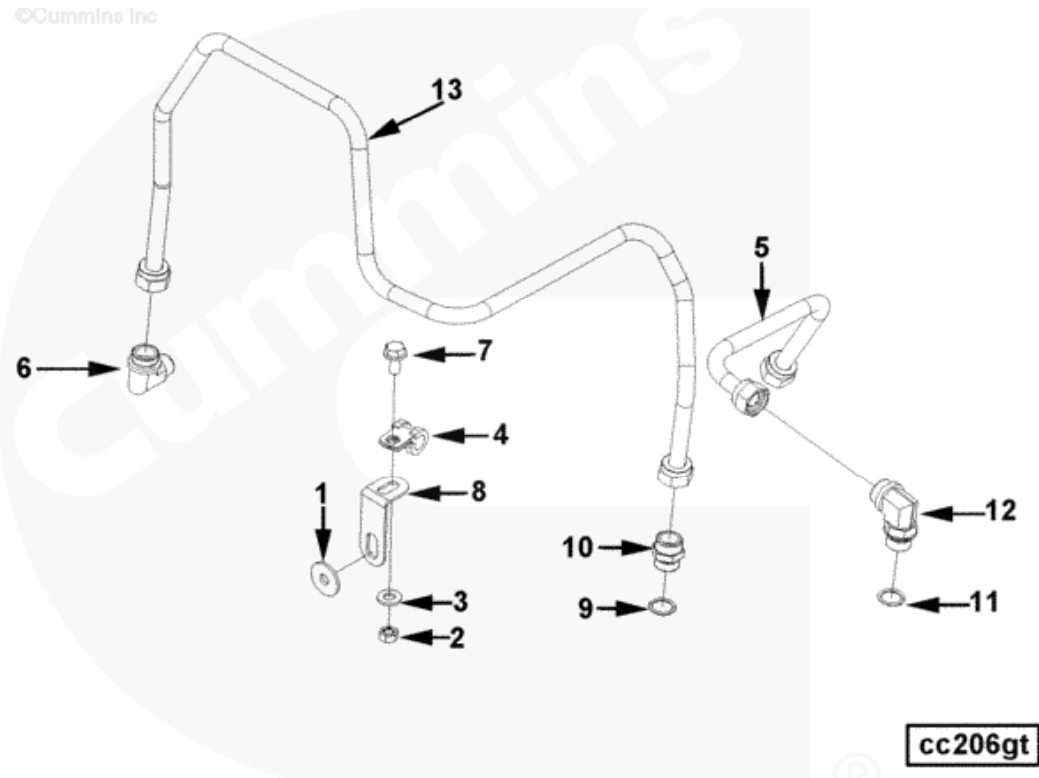
空气滤清器水暖
Air Cleaner Plumbing



空气滤清器水暖
Air Cleaner Plumbing

序号 Item No.	零件代码 Part No	中文名称 Chinese Name	英文名称 English Name	数量 Quantity	单位 Unit	备注 Notes
1	299006223	弯管	Hose, Elbow	1		
2	299006003	T 形卡箍	Clamp, T Bolt	1		
3	299006004	T 形卡箍	Clamp, T Bolt	1		6 1/8 inch

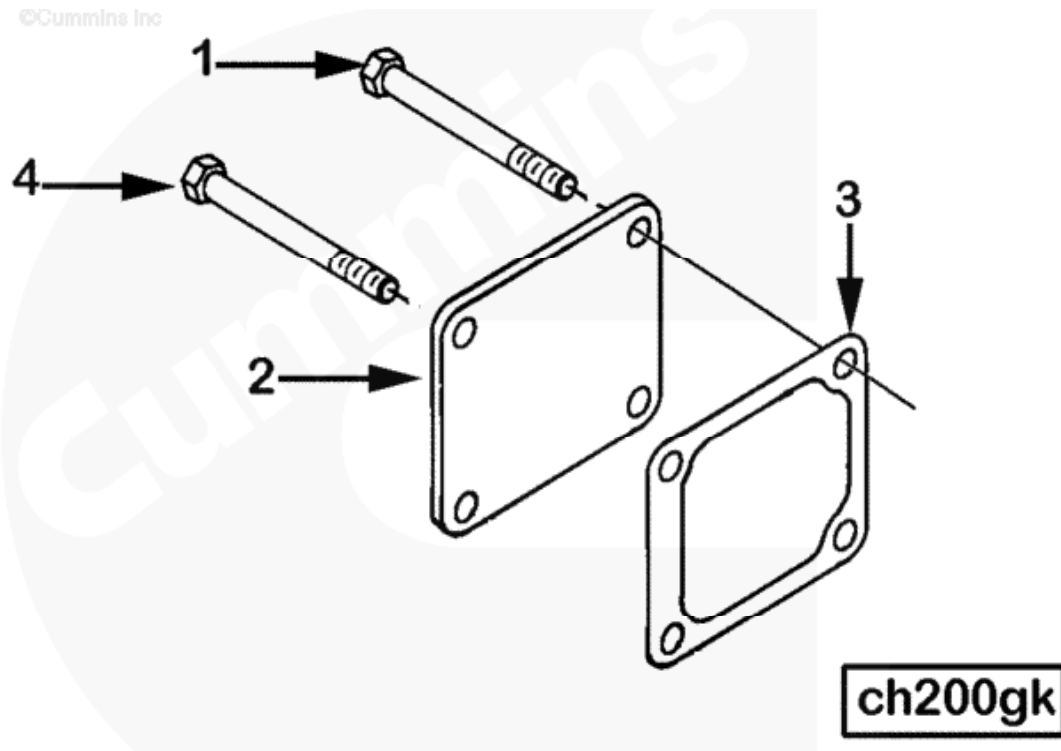
水暖管路
Cpr Coolant Plumbing



水暖管路
Cpr Coolant Plumbing

序号 Item No.	零件代码 Part No	中文名称 Chinese Name	英文名称 English Name	数量 Quantity	单位 Unit	备注 Notes
1	299012639	平垫圈	Washer, Plain	1		1/4 Inch.
2	299006119	正六角螺母	Nut, Regular Hexagon	1		M8 X 1.25.
3	299006120	平垫圈	Washer, Plain	1		M8.
4	299012640	卡箍	Clip	1		
5	299006622	空气压缩机进水管	Tube, Cpr Water Inlet	1		
6	299009383	外螺纹适配器弯管	Elbow, Male Adapter	1		
7	299006988	垫圈螺栓	Screw, Captive Washer Cap	1		M8 X 1.25 X 20.
8	299007029	管架	Brace, Tube	1		
	299012641	WTR水暖压缩机	Compressor, Wtr Plumbing	1		
	299012642	外螺纹接头	Union, Male	1		
9	299006247	O 形密封圈	Seal, O Ring	1		
10	299012643	外螺纹接头	Union, Male	1		
	299008407	外螺纹适配器弯管	Elbow, Male Adapter	1		
11	299006247	O 形密封圈	Seal, O Ring	1		
12	299012644	外螺纹弯头	Elbow, Male Union	1		
13	299012645	CPR出水管	Tube, Cpr Water Outlet	1		

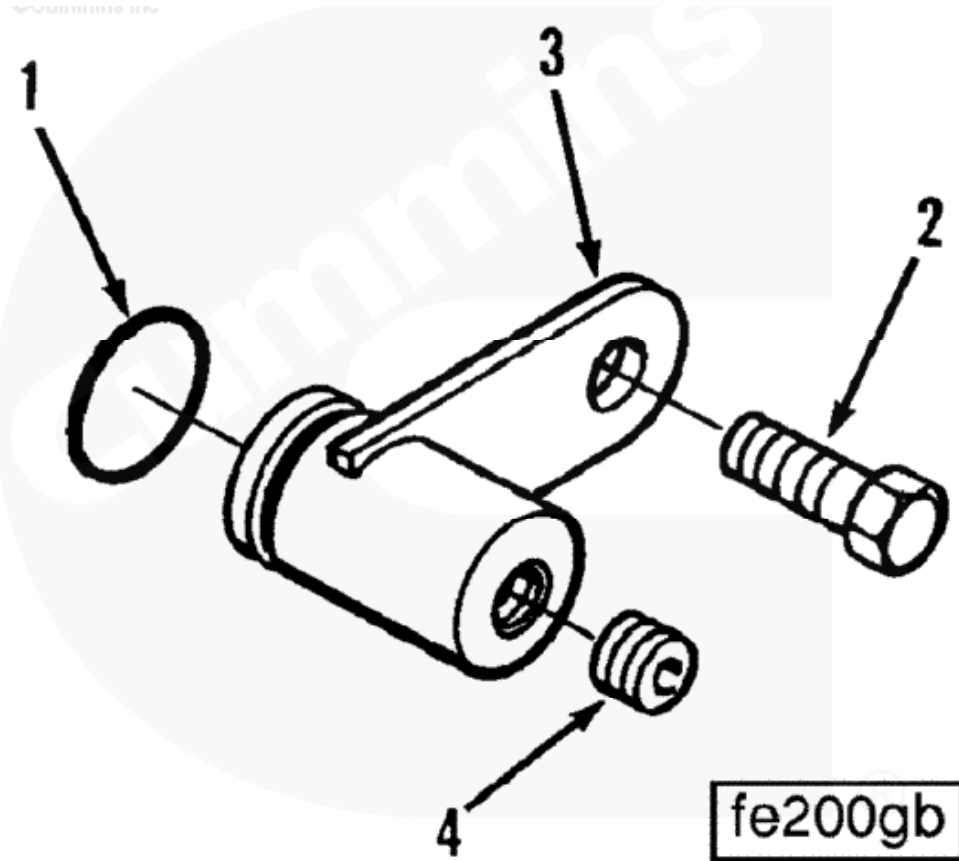
冷却液加热启动器
Coolant Heater Starting Aid



冷却液加热启动器
Coolant Heater Starting Aid

序号 Item No.	零件代码 Part No	中文名称 Chinese Name	英文名称 English Name	数量 Quantity	单位 Unit	备注 Notes
1	299006210	六角头螺栓	Screw, Hexagon Head Cap	3		M10 x 1.50 x 30
2	299006442	盖板	Plate, Cover	1		
3	299007046	齿轮室密封垫	Gasket, Heater Housing	1		To Be Used On M11
4	299007024	六角头螺栓	Screw, Hexagon Head Cap	1		M8x1.25x20 -

空气压缩机进口
Import, Air compressor

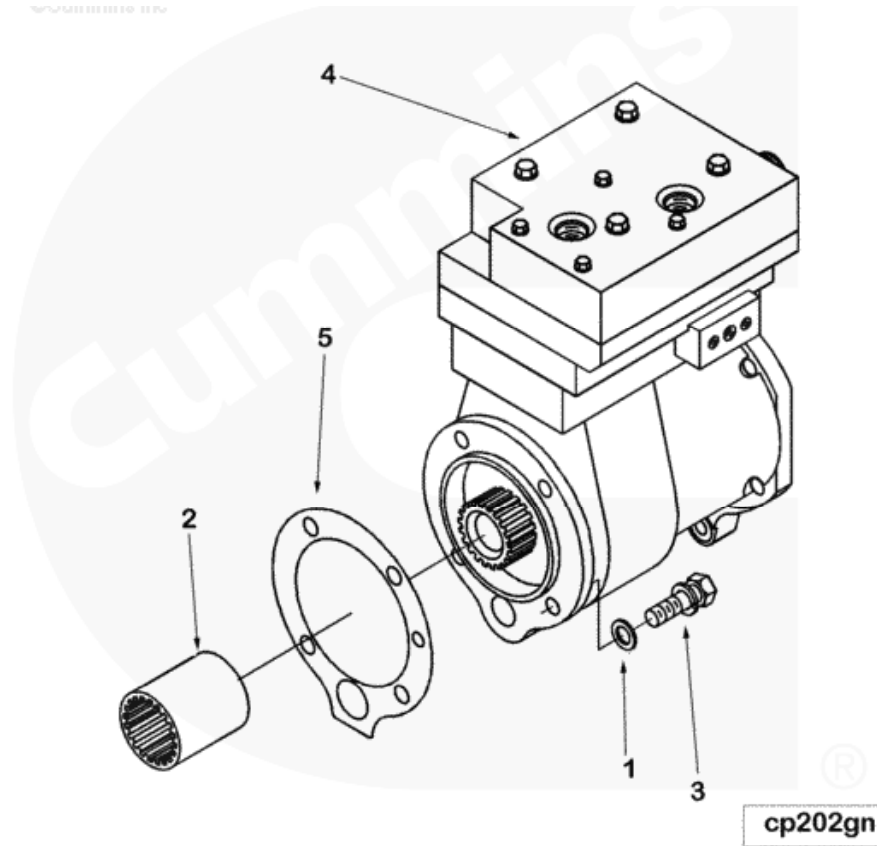




空气压缩机进口

Import, Air compressor

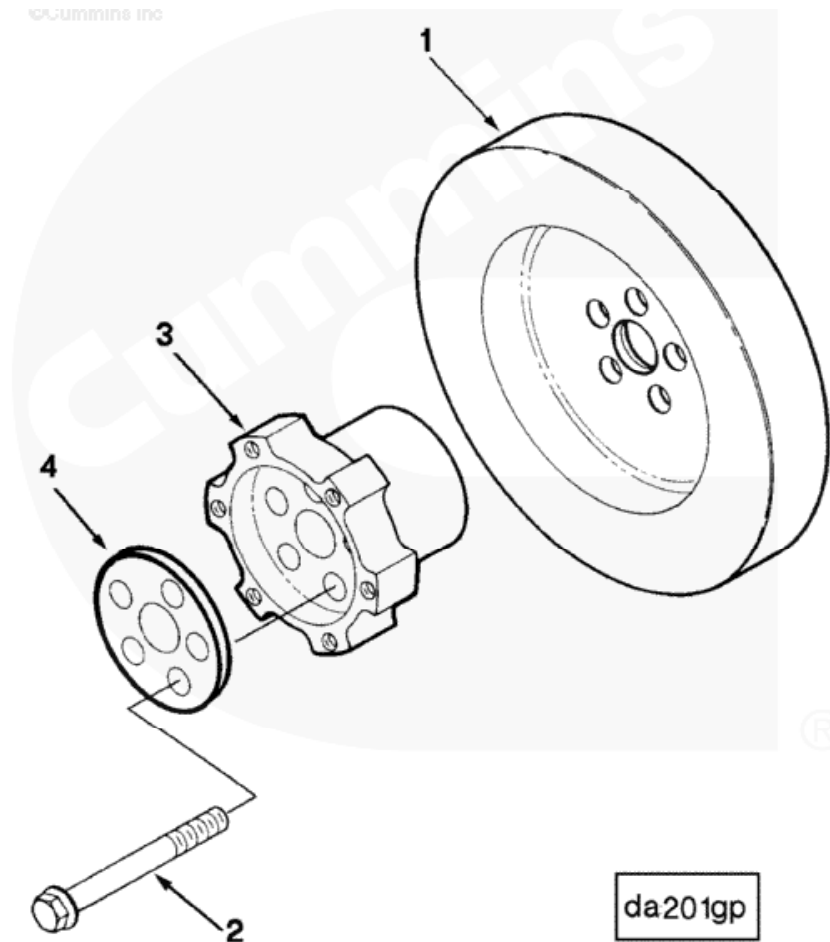
序号 Item No.	零件代码 Part No	中文名称 Chinese Name	英文名称 English Name	数量 Quantity	单位 Unit	备注 Notes
1	299006961	0 形密封圈	Seal, O Ring	1		
2	299006215	六角头螺栓	Screw, Hexagon Head Cap	1		M10 x 1.50 x 20
3	299006831	进气口连接件	Connection, Air Intake	1		
4	299006113	管塞	Plug, Pipe	1		1/8 NPT



空气压缩机
Air compressor

序号 Item No.	零件代码 Part No	中文名称 Chinese Name	英文名称 English Name	数量 Quantity	单位 Unit	备注 Notes
1	299005934	平垫圈	Washer, Plain	4		3/8 inch
2	299006035	花键联轴衬套	Sleeve, Spline Coupling	1		
3	299006126	垫圈螺栓	Screw, Captive Washer Cap	4		inch
4	299006407	空气压缩机	Compressor, Air	1		3103403 RX
5	299006982	空气压缩机密封垫	Gasket, Air Compressor	1		
	299008548	气缸密封垫组件	Kit, Gskt & Seals 1 Cyl	1		
	299006890	缸盖总成组件	Ac 1-cyl Head Assy Kit			
	299008541	打气泵缸盖	Kit, Head Assembly	1		Assembly,
	299008543	打气泵活塞修理包	Kit, Piston Assembly	1		NORTH AMER.
	299008544	打气泵连杆修理包	Kit, Con-Rod Assembly	1		NORTH AMER.
	299008545	打气泵曲轴瓦修理包	Kit, Crankshaft Bearing			NORTH AMER

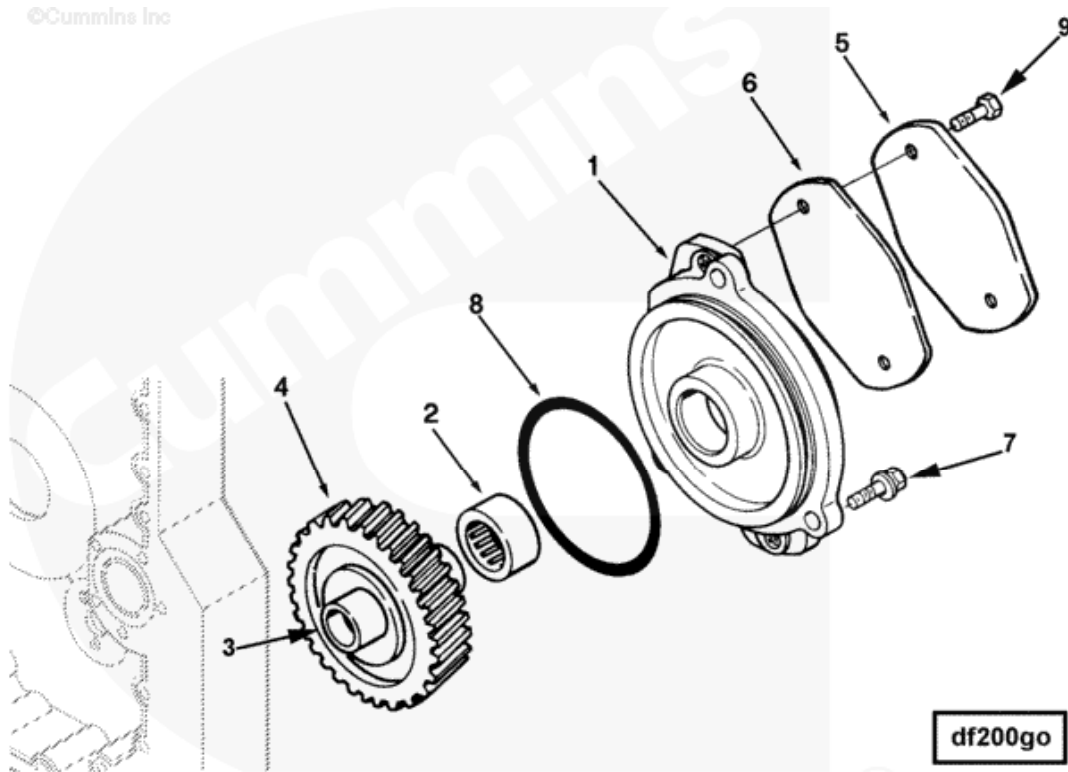
減振器
Shock absorber



减振器
Shock absorber

序号 Item No.	零件代码 Part No	中文名称 Chinese Name	英文名称 English Name	数量 Quantity	单位 Unit	备注 Notes
1	299006426	减振器	Damper, Vibration	1		Recon equivalent
2	299006966	六角头螺栓	Screw, Hexagon Head Cap	5		M14 x 1.50 x 80
3	299006969	曲轴适配器	Adapter, Crankshaft	1		
4	299007011	压板	Plate, Clamping	1		

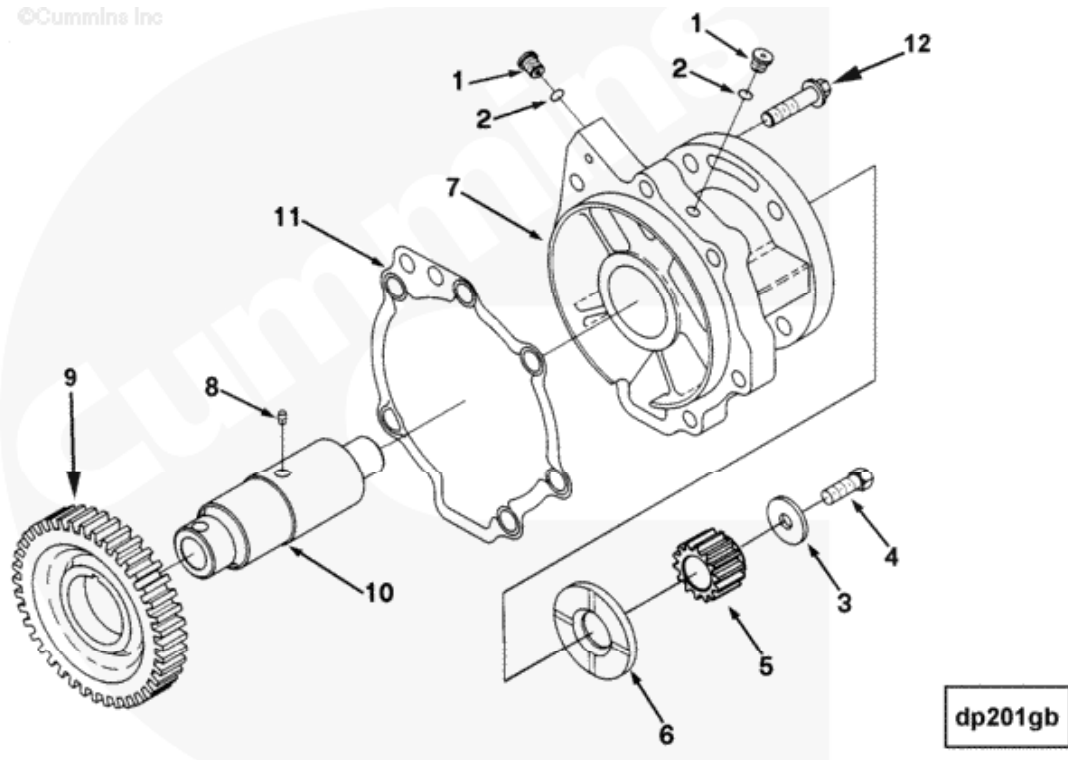
驱动器
Drive, Fro Ger Tra Acc



驱动器
Drive, Fro Ger Tra Acc

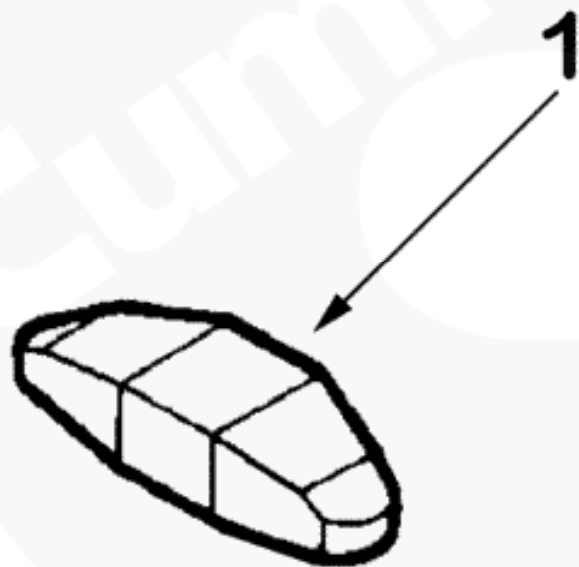
序号 Item No.	零件代码 Part No	中文名称 Chinese Name	英文名称 English Name	数量 Quantity	单位 Unit	备注 Notes
	299021531	液压泵支架	Support, Hydraulic Pump	1		
1	299021530	液压泵适配器	Adapter, Hydraulic Pump	1		
2	299006167	滚针轴承	Bearing, Needle	1		
	299021529	液压泵齿轮	Gear, Hydraulic Pump	1		
3	299021525	花键适配器	Adapter, Spline	1		
4	299006417	液压泵齿轮	Gear, Hydraulic Pump	1		
5	299019967	盖板	Plate, Cover	1		
6	299006110	液压泵密封垫	Gasket, Hydraulic Pump	2		
7	299006414	垫圈螺栓	Screw, Captive Washer Cap	3		M10 x 1.50 x 35
8	299007015	O 形密封圈	Seal, O Ring	1		
9	299007189	六角头螺栓	Screw, Hexagon Head Cap	2		M12 X 1.75 X 25.

燃油泵驱动装置
Drive, Fuel pump



燃油泵驱动装置
Drive, Fuel pump

序号 Item No.	零件代码 Part No	中文名称 Chinese Name	英文名称 English Name	数量 Quantity	单位 Unit	备注 Notes
	299007072	附件驱动轴及齿轮	Shaft & Gear, Acc Drive			3896045 RX
	299008732	螺塞	Plug, Threaded	2		3/8 inch
1	299012647	螺塞	Plug, Threaded	1		
2	299006207	O 形密封圈	Seal, O Ring	1		
3	299006023	平垫圈	Washer, Plain	1		3/8 inch
4	299006102	六角头螺栓	Screw, Hexagon Head Cap	1		3/8 - 16 x 1 inch
5	299006103	爪形联轴器轮毂	Hub, Jaw Coupling	1		
6	299006189	止推轴承	Bearing, Thrust	1		
7	299007073	附件驱动支架	Support, Accessory Drive	1		
	299006234	燃油泵驱动齿轮及轴	Gear & Shaft	1		
8	299009391	开口销	Pin, Groove	1		
9	299006232	附件驱动齿轮	Gear, Accessory Drive	1		
10	299006233	附件驱动轴	Shaft, Accessory Drive	1		
11	299007098	附件驱动盖密封垫	Gasket, Acc Drive Support	1		
12	299007017	六角凸缘头螺栓	Screw, Hex Flange Head Cap	6		M10 x 1.50 x 40

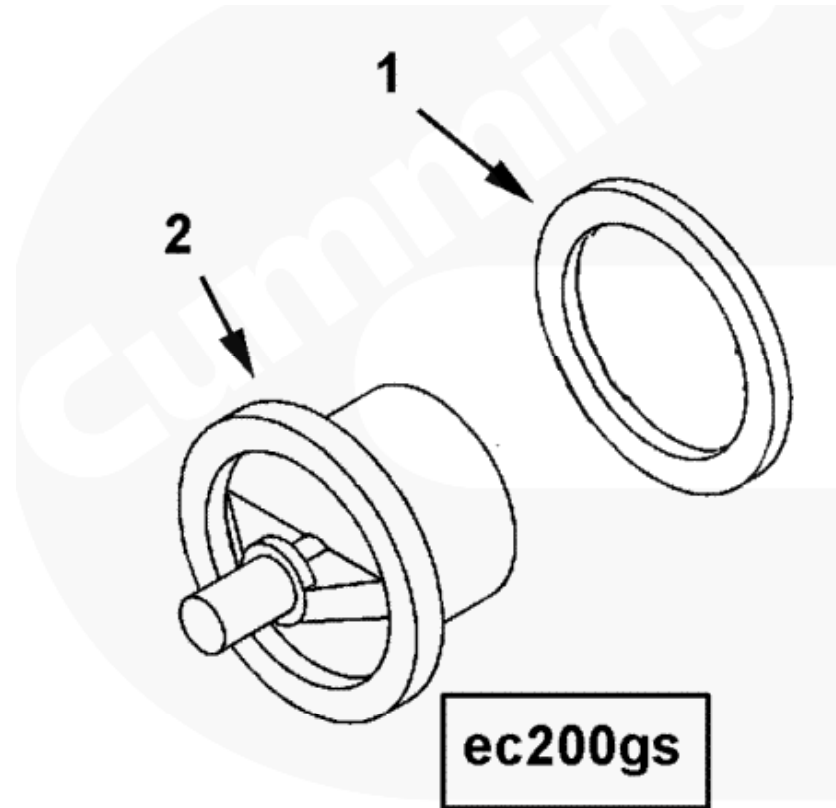


eb200gc

发动机制动
Engine braking

序号 Item No.	零件代码 Part No	中文名称 Chinese Name	英文名称 English Name	数量 Quantity	单位 Unit	备注 Notes
1	299006303	气门跨接压板	Crosshead, Valve	6		

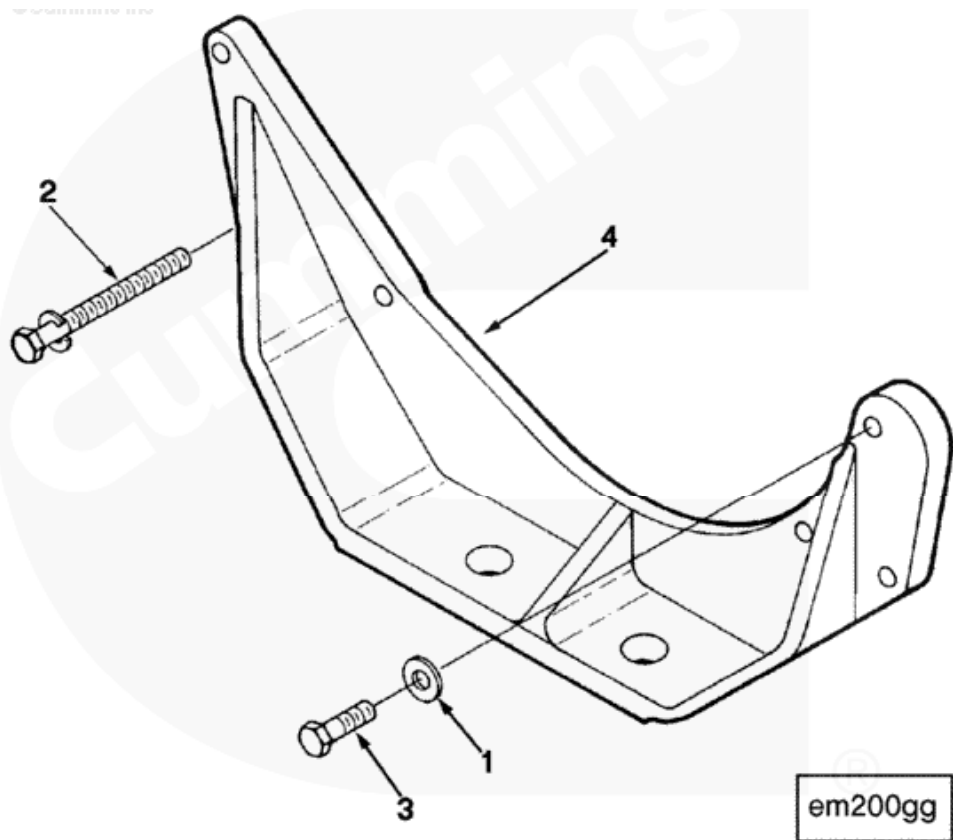
节温器
Thermostat



节温器
Thermostat

序号 Item No.	零件代码 Part No	中文名称 Chinese Name	英文名称 English Name	数量 Quantity	单位 Unit	备注 Notes
	299006583	节温器	Thermostat	1		
1	299006582	节温器密封垫	Seal, Thermostat	1		
2	299010929	节温器	Thermostat	1		

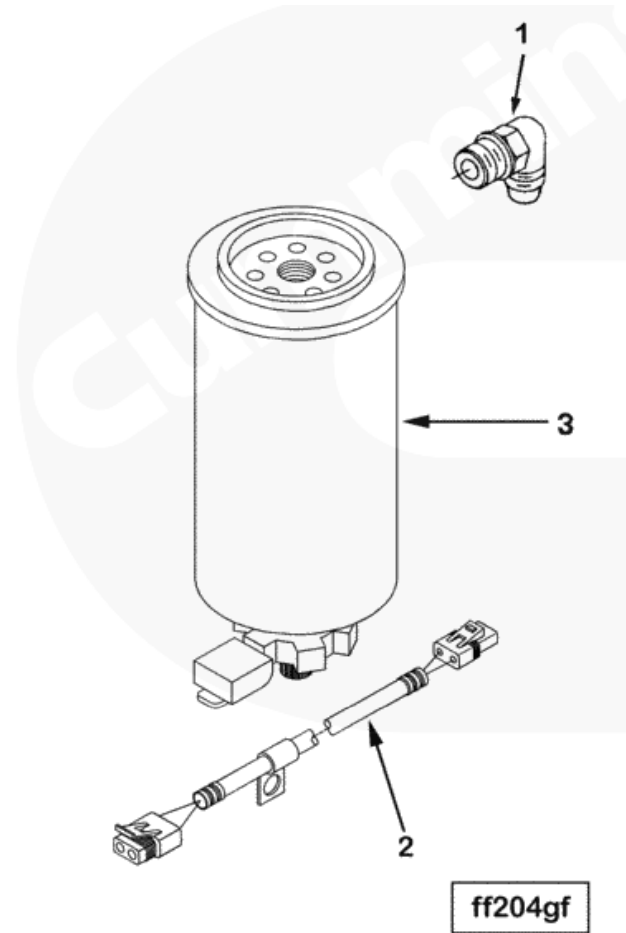
发动机前支架
Engine front bracket



发动机前支架
Engine front bracket

序号 Item No.	零件代码 Part No	中文名称 Chinese Name	英文名称 English Name	数量 Quantity	单位 Unit	备注 Notes
1	299006040	平垫圈	Washer, Plain	1		3/8 inch
2	299007035	垫圈螺栓	Screw, Captive Washer Cap	5		M10 x 1.50 x 100
3	299006985	六角头螺栓	Screw, Hexagon Head Cap	1		M10 x 1.50 x 35
4	299006954	发动机前支架	Support, Front Engine	1		

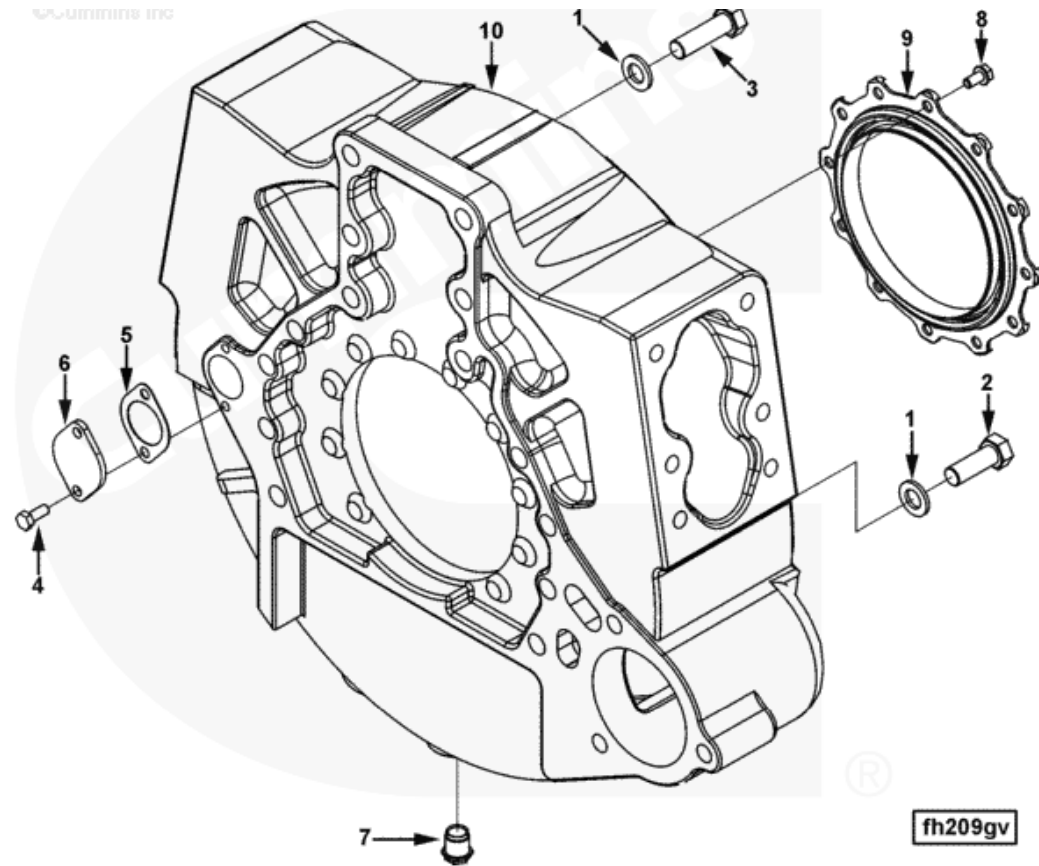
燃油滤清器
Fuel filter



燃油滤清器
Fuel filter

序号 Item No.	零件代码 Part No	中文名称 Chinese Name	英文名称 English Name	数量 Quantity	单位 Unit	备注 Notes
1	299005812	外螺纹弯头	Elbow, Male Union	1		
2	299012648	线束	Harness, Etr Cnt Mdl Wrg	1		
3	299008509	燃油滤清器	Filter, Fuel	1		Fleetguard
	299012649	贴纸	Decal	1		

飞轮壳
Casing, flywheel

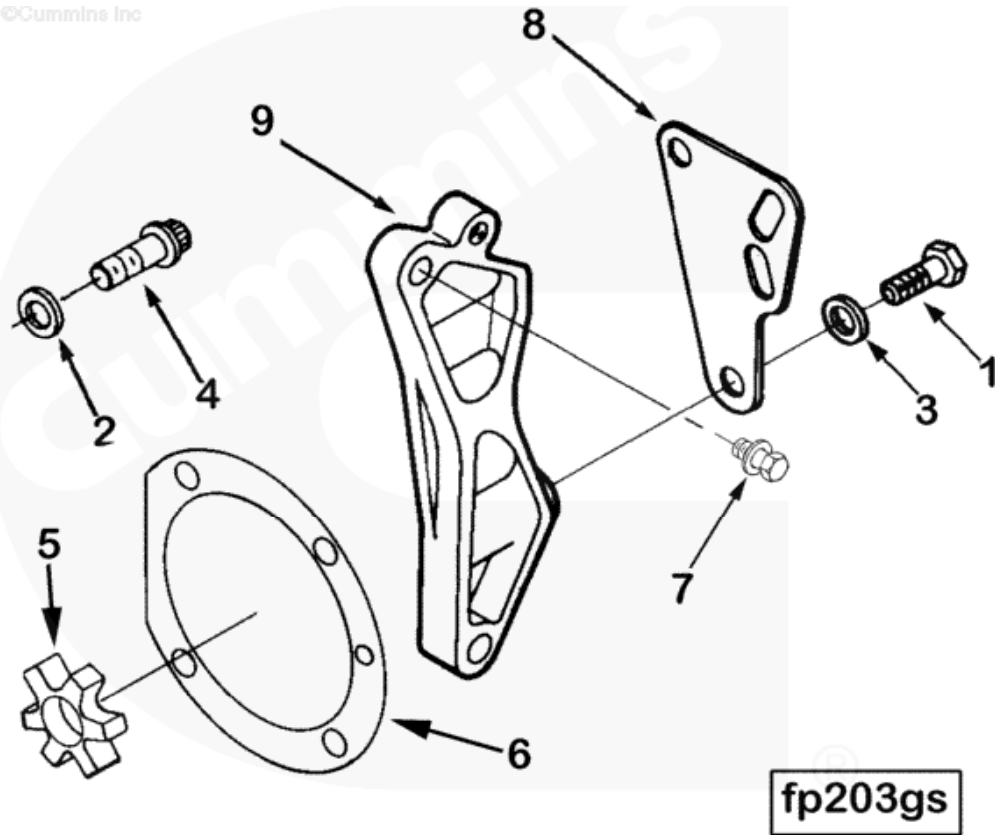


飞轮壳
Casing, flywheel

序号 Item No.	零件代码 Part No	中文名称 Chinese Name	英文名称 English Name	数量 Quantity	单位 Unit	备注 Notes
1	299005842	平垫圈	Washer, Plain	14		5/8 Inch.
2	299006151	六角头螺栓	Screw, Hexagon Head Cap	2		M16 X 2.00 X 45.
3	299006160	六角头螺栓	Screw, Hexagon Head Cap	12		M16 X 2.00 X 55.
4	299006169	六角头螺栓	Screw, Hexagon Head Cap	2		M8 X 1.25 X 20.
5	299006171	盖板密封垫	Gasket, Cover Plate	1		
6	299006172	检修孔盖	Cover, Access Hole	1		
7	299006273	螺塞	Plug, Threaded	2		3/4 - 16 UNF.
	299001502	曲轴后油封	Kit, Rear Seal Crank			
8	299008523	六角凸缘头螺栓	Screw, Hex Flange Head Cap	12		
9	299010933	油封	Seal, Oil	1		Serviced as 4089542
10	299012650	飞轮壳	Housing, Flywheel	1		

燃油泵联轴器
Coupler, Fuel pump

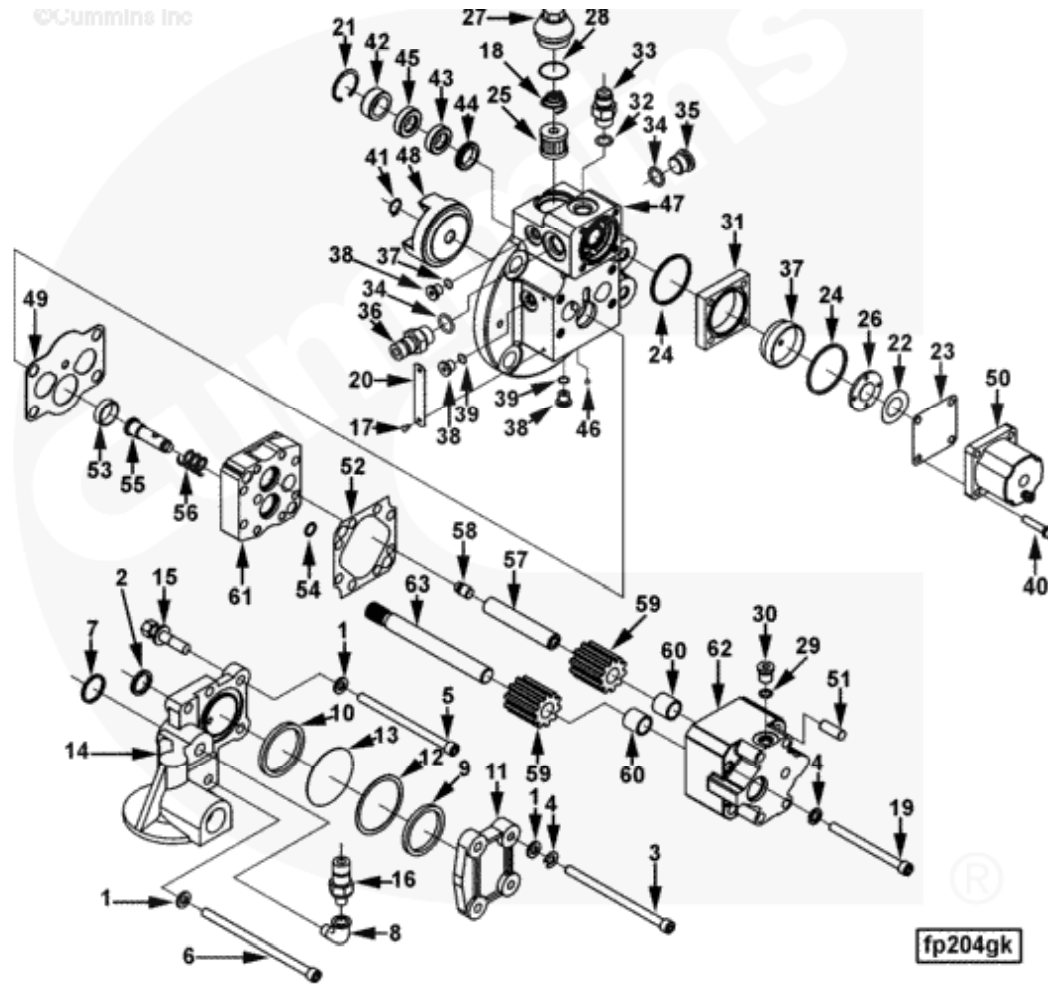
©Cummins Inc



燃油泵联轴器
Coupler, Fuel pump

序号 Item No.	零件代码 Part No	中文名称 Chinese Name	英文名称 English Name	数量 Quantity	单位 Unit	备注 Notes
1	S 112	六角头螺栓	Screw, Hexagon Head Cap	4		3/8 - 16 x 1 inch
2	299005934	平垫圈	Washer, Plain	4		3/8 inch
3	299005862	平垫圈	Washer, Plain	4		3/8 inch
4	299006047	12 角头螺栓	Screw, Twelve Point Cap	4		Inch.
5	299006246	爪形联轴器星形轮	Spider, Jaw Coupling	1		
6	299006294	燃油泵密封垫	Gasket, Fuel Pump	1		
7	299006659	垫圈螺栓	Screw, Captive Washer Cap	2		M10 x 1.50 x 40
8	299006668	燃油泵支架	Brace, Fuel Pump	1		
9	299007081	燃油泵支架	Brace, Fuel Pump	1		

燃油泵
Fuel pump



小 | 中 | 大

燃油泵
Fuel pump

序号 Item No.	零件代码 Part No	中文名称 Chinese Name	英文名称 English Name	数量 Quantity	单位 Unit	备注 Notes
1	299005914	平垫圈	Washer, Plain	4		1/4 Inch.
2	299006014	矩形密封圈	Seal, Rectangular Ring	1		
3	299006016	内六角螺栓	Screw, Socket Head Cap	2		
4	299006028	锁紧垫圈	Washer, Lock	6		1/4 Inch.
5	299006033	内六角螺栓	Screw, Socket Head Cap	1		
6	299006051	内六角螺栓	Screw, Socket Head Cap	1		
7	299006052	矩形密封圈	Seal, Rectangular Ring	1		
8	299005938	普通直管弯头	Elbow, Plain Street Pipe	1		
	299006177	燃油滤清器和减振器	Fuel Filter And Damper	1		
9	299005905	矩形密封圈	Seal, Rectangular Ring	1		
10	299006002	矩形密封圈	Seal, Rectangular Ring	1		
11	299006015	燃油泵减振器盖	Cover, Fuel Pump Damper	1		
12	299006019	平垫圈	Washer, Plain	1		1 11/16 Inch.
13	299006038	减振器	Diaphragm, Fuel Pump Damper	1		
14	299006046	燃油滤清器座	Head, Fuel Filter	1		
15	299006149	垫圈螺栓	Screw, Captive Washer Cap	2		1/4 Inch.
16	299006238	连接管接头	Nipple, Coupling	1		
	299006367	燃油泵组件	Assembly, Fuel Pump	1		
4	299006028	锁紧垫圈	Washer, Lock	4		1/4 Inch.
17	S 2286	螺钉	Screw, Drive	2		
18	299005929	压缩弹簧	Spring, Compression	1		
19	299005896	内六角螺栓	Screw, Socket Head Cap	4		1/4 - 20 x 3 inch
20	299012651	铭牌	Nameplate	1		
21	299005829	挡圈	Ring, Retaining	1		

燃油泵
Fuel pump

序号 Item No.	零件代码 Part No	中文名称 Chinese Name	英文名称 English Name	数量 Quantity	单位 Unit	备注 Notes
22	299005827	气门弹簧	Spring, Valve	1		
23	299005819	切断阀屏蔽片	Shield, Shutoff Valve	1		
24	299005681	矩形密封圈	Seal, Rectangular Ring	2		
25	299006012	滤清器滤网	Screen, Filter	1		
26	299006034	阀片	Disc, Valve	1		
27	299006128	燃油泵滤清器盖	Cap, Fuel Pump Filter	1		
28	299006159	O 形密封圈	Seal, O Ring	1		
	299006206	螺塞	Plug, Threaded	1		
29	299006207	O 形密封圈	Seal, O Ring	1		
30	299012652	螺塞	Plug, Threaded	1		
31	299006208	执行器壳体	Housing, Actuator	1		
	299006218	外螺纹接头	Union, Male	1		
32	299006219	O 形密封圈	Seal, O Ring	1		
33	299012653	螺纹管套接头	Union, Male	1		
	299006220	螺塞	Plug, Threaded	1		9/16 - 18 UNF.
34	299006221	O 形密封圈	Seal, O Ring	1		
35	299006227	螺塞	Plug, Threaded	1		
	299006239	连接管接头	Nipple, Coupling	1		
34	299006221	O 形密封圈	Seal, O Ring	1		
36	299006240	连接管接头	Nipple, Coupling	1		
37	299006263	执行器阀片	Disc, Actuator	1		
	299006266	螺塞	Plug, Threaded	4		
38	299012654	螺塞	Plug, Threaded	1		
39	299006265	O 形密封圈	Seal, O Ring	1		

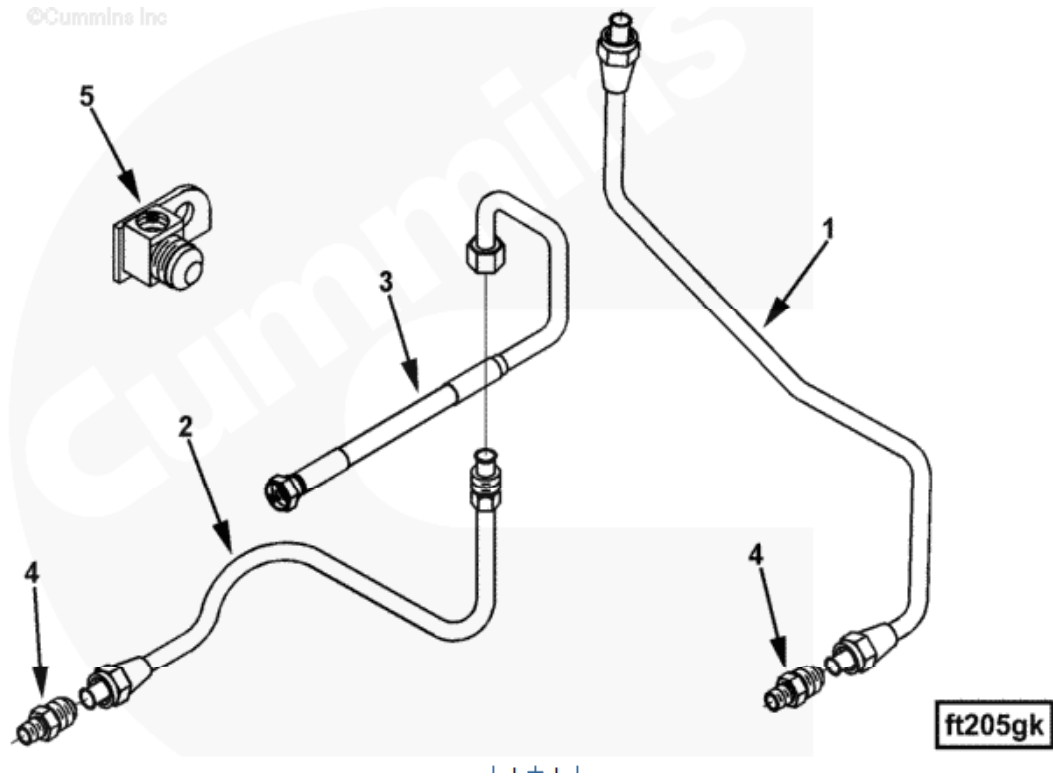
燃油泵
Fuel pump

序号 Item No.	零件代码 Part No	中文名称 Chinese Name	英文名称 English Name	数量 Quantity	单位 Unit	备注 Notes
40	299006279	垫圈螺栓	Screw, Captive Washer Cap	4		#10 - 24 X 1 Inch.
41	299006288	挡圈	Ring, Retaining	1		
42	299006322	密封隔套	Spacer, Seal	1		
43	299012655	油封	Seal, Oil	1		Serviced as 3803477.
44	299006321	密封隔套	Spacer, Seal	1		
45	299012656	油封	Seal, Oil	1		Serviced as main kits.
	299006368	燃油泵支架	Support, Fuel Pump	1		
46	299006318	球阀	Plug, Ball	1		
47	299012657	燃油泵支架	Support, Fuel Pump	1		
48	299006379	爪形联轴器轮毂	Hub, Jaw Coupling	1		
49	299006382	燃油泵支架	Gasket, Fuel Pump	1		
50	299012658	电磁阀	Solenoid	1		Serviced as 4024808.
	299009153	齿轮燃油泵	Pump, Gear Fuel	1		
1	299005914	平垫圈	Washer, Plain	2		1/4 Inch.
4	299006028	锁紧垫圈	Washer, Lock	2		1/4 Inch.
19	299005896	内六角螺栓	Screw, Socket Head Cap	2		1/4 - 20 X 3 Inch.
51	299009378	定位销	Dowel, Pin	2		
52	299005852	燃油泵支架	Gasket, Fuel Pump	1		
53	299006204	定位销	Dowel, Ring	1		
54	299006350	挡圈	Ring, Retaining	1		
55	299008398	压力调节器柱塞	Plunger, Prs Regulator	1		
56	299008399	压缩弹簧	Spring, Compression	1		
57	299012659	惰齿轮轴	Shaft, Idler	1		
58	299012660	止回阀	Valve, Check	1		

燃油泵
Fuel pump

序号 Item No.	零件代码 Part No	中文名称 Chinese Name	英文名称 English Name	数量 Quantity	单位 Unit	备注 Notes
59	299012661	燃油泵齿轮	Gear, Fuel Pumping	1		
	299009150	燃油泵齿轮盖	Cover, Fuel Pump Gear	1		
60	299006205	轴套	Bushing	2		
61	299009149	燃油泵齿轮盖	Cover, Fuel Pump Gear	1		
	299009151	燃油泵齿轮室	Housing, Fuel Pump Gear	1		
60	299006205	轴套	Bushing	2		
62	299009148	燃油泵齿轮室	Housing, Fuel Pump Gear	1		
	299009152	燃油泵驱动齿轮及轴	Gear & Shaft	1		
59	299012661	燃油泵齿轮	Gear, Fuel Pumping	1		
63	299006380	燃油泵驱动轴	Shaft, Fuel Pump Drive	1		
	299006924	油封组件	Kit, Oil Seal			
	299012655	油封	Seal, Oil	1		Serviced as 3803477. serviced as many kits.
	299012656	油封	Seal, Oil	1		
	299008419	燃油电磁阀组件	Kit, Fuel Solenoid	1		
	299005681	矩形密封圈	Seal, Rectangular Ring	2		
	299012658	电磁阀	Solenoid	1		

燃油管路
Pack-fuel pipe

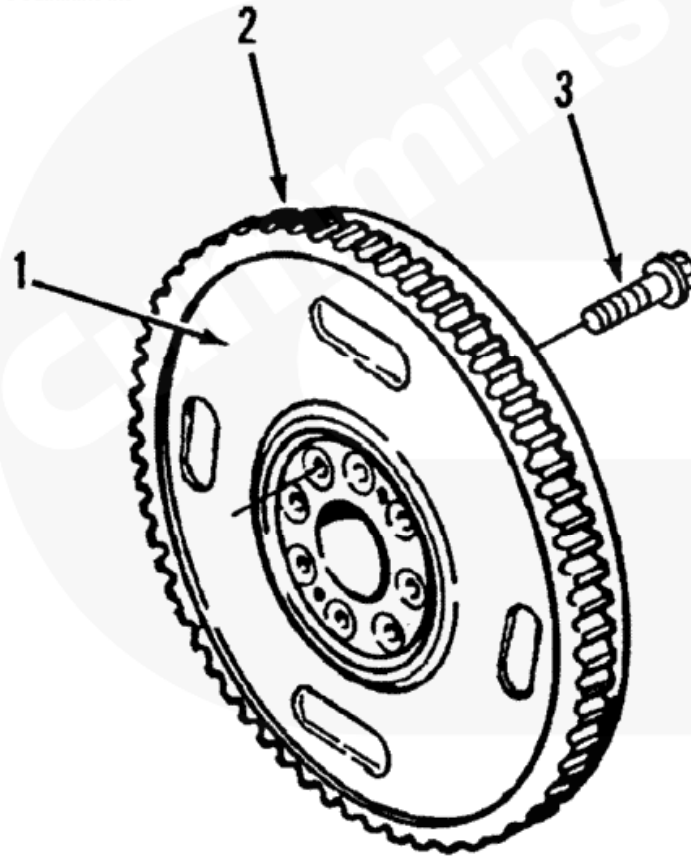


燃油管路
Pack-fuel pipe

序号 Item No.	零件代码 Part No	中文名称 Chinese Name	英文名称 English Name	数量 Quantity	单位 Unit	备注 Notes
1	299006419	燃油供油管	Tube, Fuel Supply	1		
2	299006420	燃油回油管	Tube, Fuel Drain	1		
3	299006421	柔性软管	Hose, Flexible	1		
4	299008389	外螺纹接头	Union, Male	2		1/8 NPTF x 1/2-20
5	299006630	弯管接头	Elbow, Tube Connector	1		

飞轮
Flywheel

©Cummins Inc

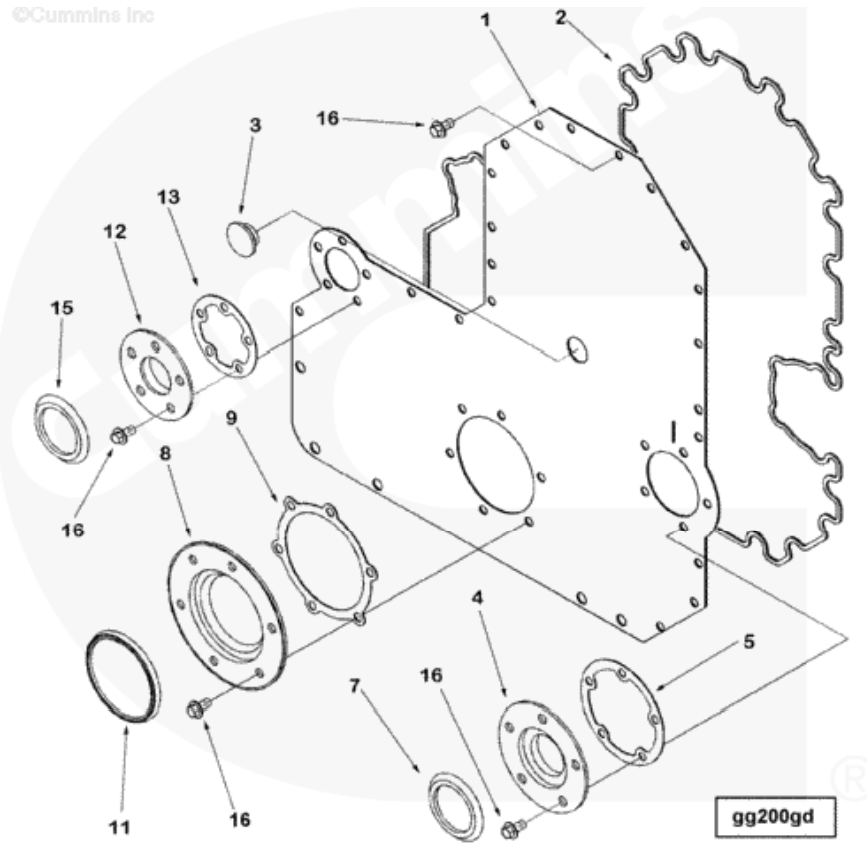


fw200gd

飞轮
Flywheel

序号 Item No.	零件代码 Part No	中文名称 Chinese Name	英文名称 English Name	数量 Quantity	单位 Unit	备注 Notes
	299006441	飞轮	Flywheel	1		
1	299012663	飞轮	Flywheel	1		
2	299005962	飞轮齿圈	Gear, Flywheel Ring	1		
3	299008510	六角凸缘头螺栓	Screw, Hex Flange Head Cap	8		M14 x 1.50 x 35

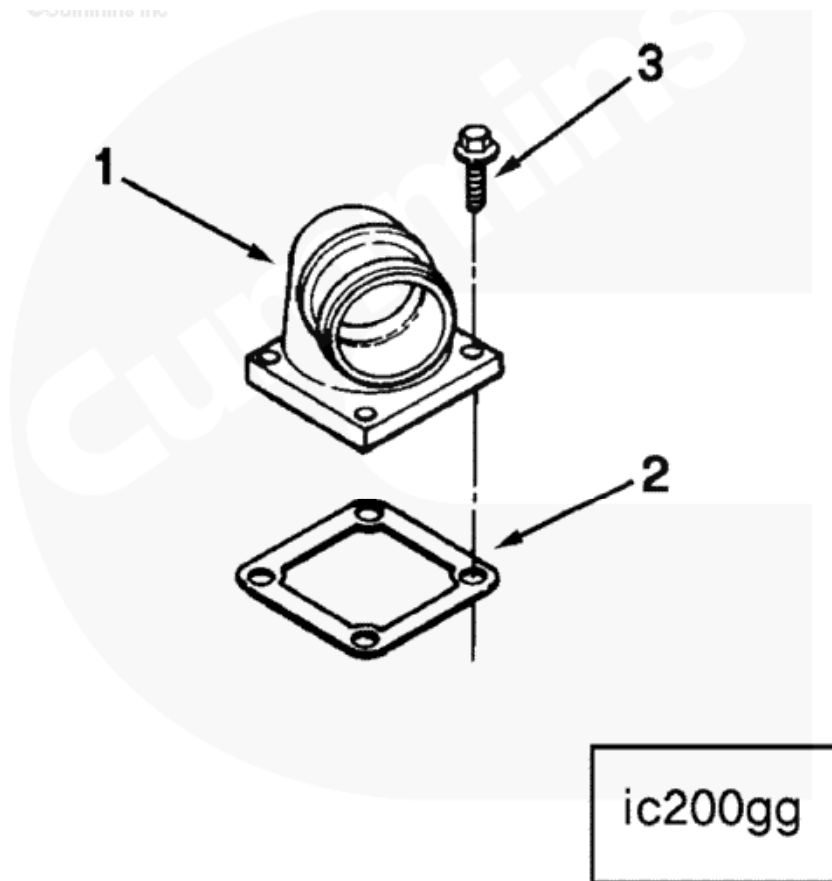
前齿轮室盖
Gear chamber cover



前齿轮室盖
Gear chamber cover

序号 Item No.	零件代码 Part No	中文名称 Chinese Name	英文名称 English Name	数量 Quantity	单位 Unit	备注 Notes
	299019096	齿轮罩组件	Kit, Gear Cover	1		
1	299012664	齿轮室	Cover, Gear	1		
2	299008440	带状密封组件	Seal, Rectangular Strip	1		
3	299008521	齿轮室盖螺塞	Plug, Gear Cover	1		
	299006930	油封组件	Kit, Oil Seal	1		
4	299012665	油封	Seal, Oil	1		
5	299006562	托架密封垫	Gasket, Carrier	1		
7	299007086	防尘密封件	Seal, Dust	1		
	299006931	油封组件	Kit, Oil Seal	1		
8	299012666	油封	Seal, Oil	1		
9	299012667	载波组件	Gasket, Carrier	1		Serviced as 4955665.
11	299007054	防尘密封件	Seal, Dust	1		
	299006927	密封圈组件	Kit, Oil Seal	1		
12	299012668	油封	Seal, Oil	1		
13	299006561	托架密封垫	Gasket, Carrier	1		
15	299012669	防尘密封	Seal, Dust	1		
16	299008505	六角凸缘头螺栓	Screw, Hex Flange Head Cap	38		M8 x 1.25 x 16

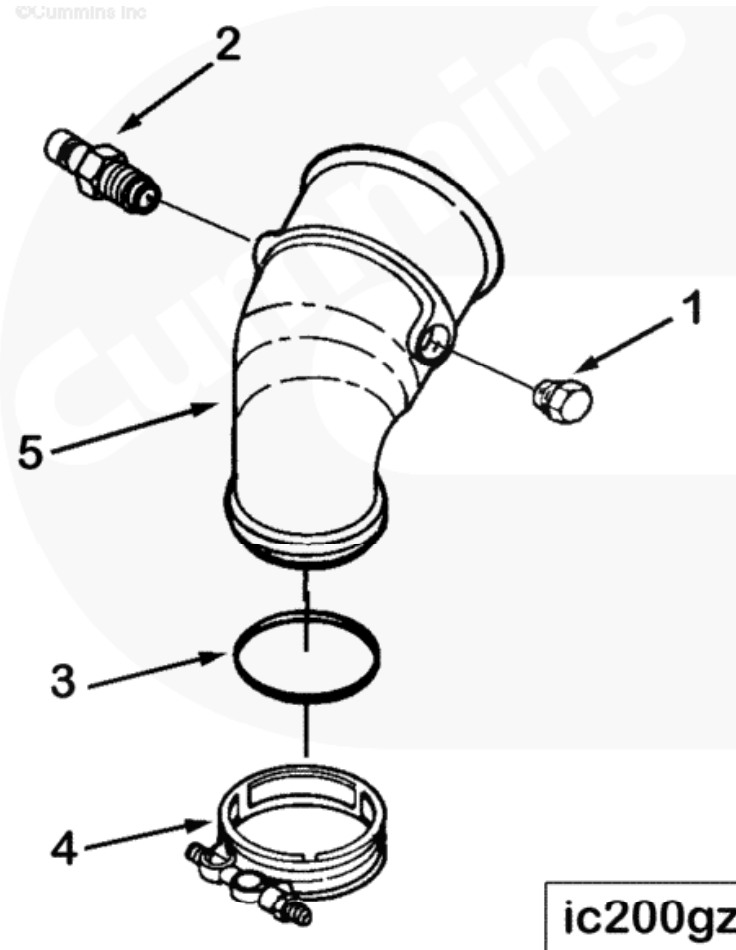
进气管接头
Air intake pipe joint



进气管接头
Air intake pipe joint

序号 Item No.	零件代码 Part No	中文名称 Chinese Name	英文名称 English Name	数量 Quantity	单位 Unit	备注 Notes
1	299007045	进气口连接件	Connection, Air Intake	1		
2	299006298	接头密封垫	Gasket, Connection	1		
3	299007016	六角凸缘头螺栓	Screw, Hex Flange Head Cap	4		M10 x 1.50 x 35

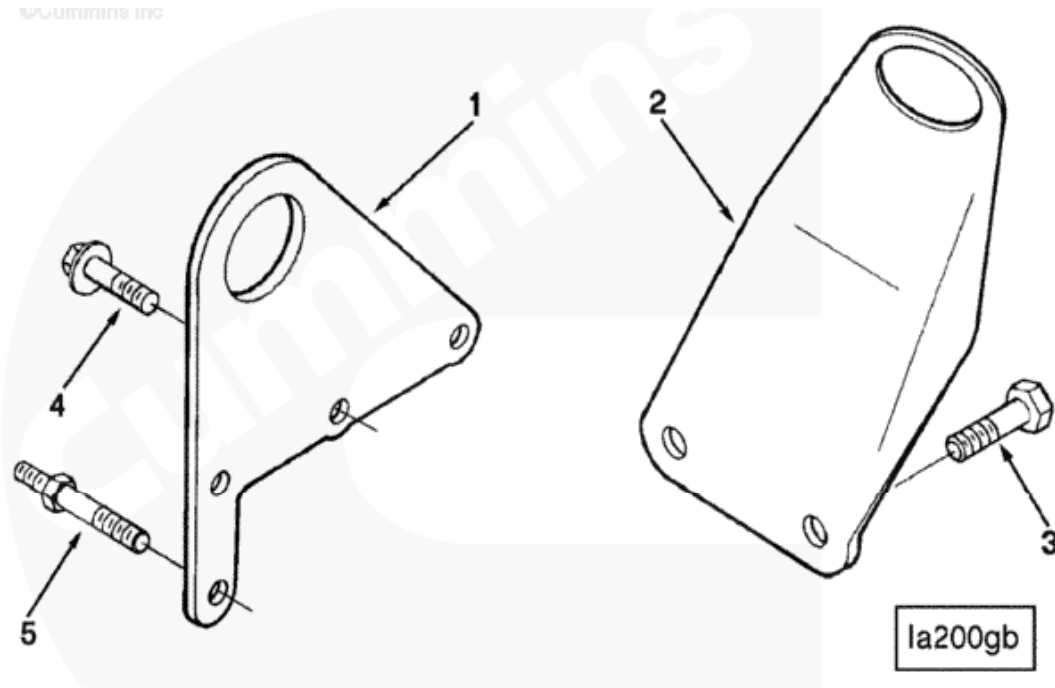
输气管接头
pneumatic tube,Connector



输气管接头
 pneumatic tube,Connector

序号 Item No.	零件代码 Part No	中文名称 Chinese Name	英文名称 English Name	数量 Quantity	单位 Unit	备注 Notes
1	299006113	管塞	Plug, Pipe	1		1/8 NPT
2	299006238	连接管接头	Nipple, Coupling	1		
3	299007022	O 形密封圈	Seal, O Ring	1		
4	299007040	V 型带箍	Clamp, V Band	1		
5	299007043	输气管接头	Connection, Air Transfer			

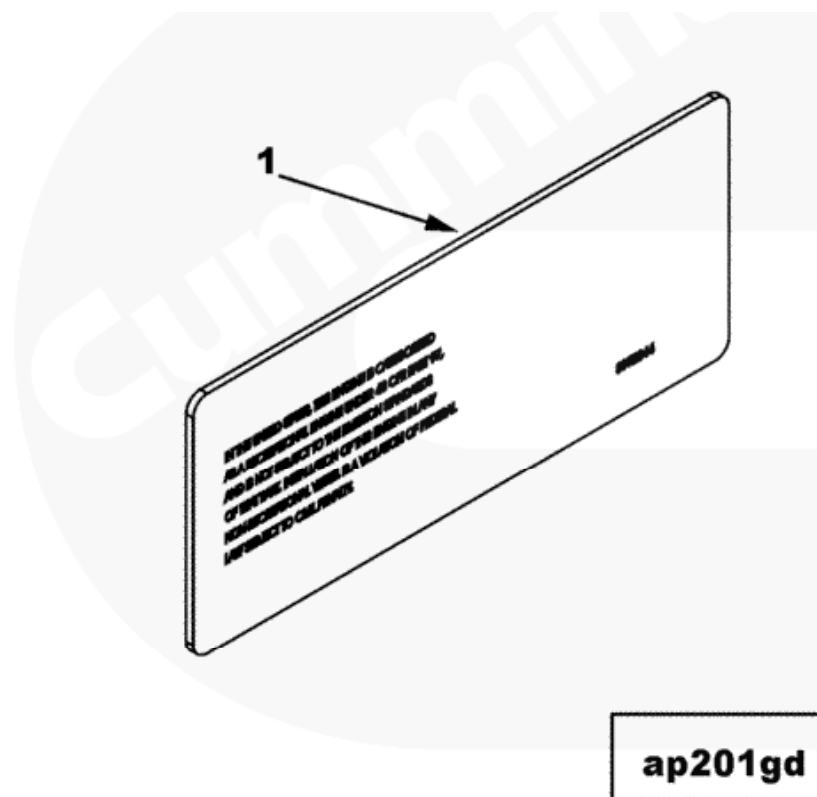
吊耳
Lifting lug



吊耳
Lifting lug

序号 Item No.	零件代码 Part No	中文名称 Chinese Name	英文名称 English Name	数量 Quantity	单位 Unit	备注 Notes
1	299012670	升降支架	Bracket, Lifting	1		
2	299012671	升降支架	Bracket, Lifting	1		Rear
3	299007049	六角头螺栓	Screw, Hexagon Head Cap	2		M12 x 1.75 x 25
4	299006965	垫圈螺栓	Screw, Captive Washer Cap	2		M10 x 1.50 x 50
5	299007025	六角头螺栓	Screw, Hexagon Head Cap	2		M10 x 1.50 x 48

引擎贴标
Engine Labeling

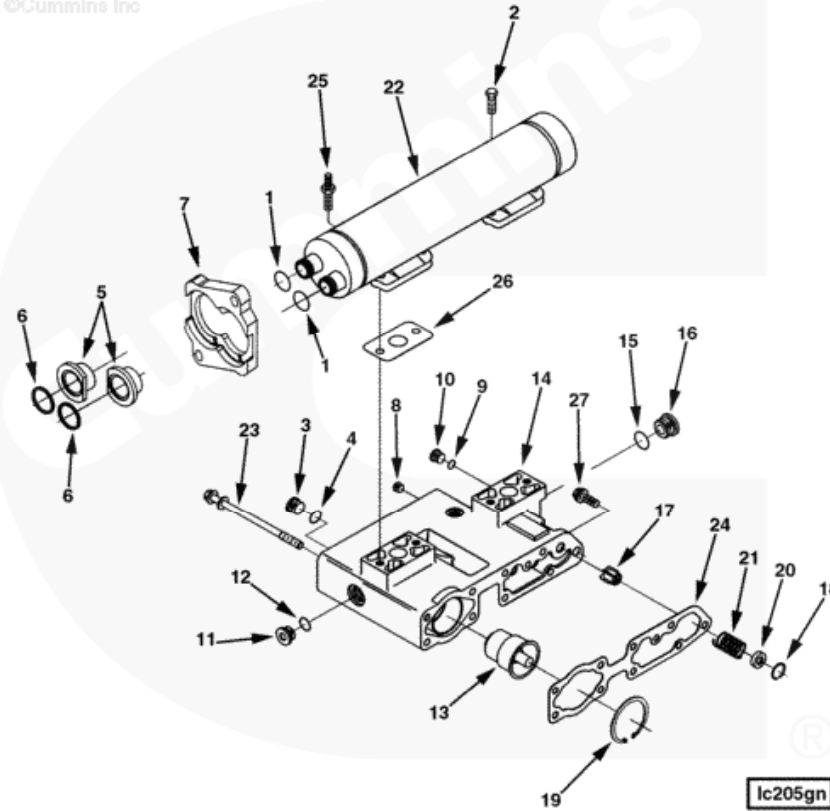


引擎贴标
Engine Labeling

序号 Item No.	零件代码 Part No	中文名称 Chinese Name	英文名称 English Name	数量 Quantity	单位 Unit	备注 Notes
1	299012672	贴花	Decal	1		
	299016823	铭牌	Decal	1		

机油冷却器
Oil cooler

©Cummins Inc

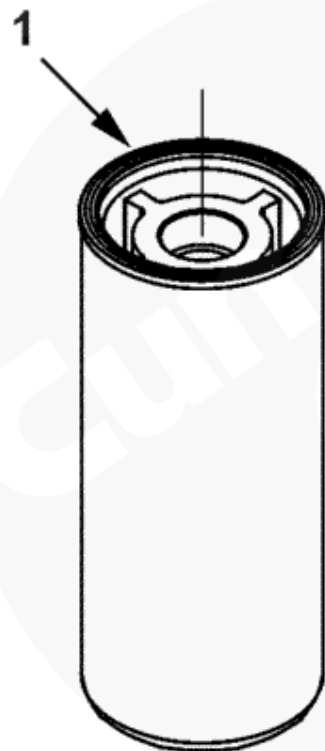


机油冷却器
Oil cooler

序号 Item No.	零件代码 Part No	中文名称 Chinese Name	英文名称 English Name	数量 Quantity	单位 Unit	备注 Notes
1	299005860	0 形密封圈	Seal, O Ring	2		
2	299006210	六角头螺栓	Screw, Hexagon Head Cap	4		M10 x 1.50 x 30
	299006248	螺塞	Plug, Threaded	1		3/4 - 16 UNF
3	299012673	螺塞	Plug, Threaded	1		
4	299006247	0 形密封圈	Seal, O Ring	1		
5	299006330	0型密封圈适配器	Adapter, O Ring	2		
6	299006335	矩形密封圈	Seal, Rectangular Ring	2		
7	299006399	接头挡圈	Retainer, Connection	1		
	299006403	机油滤清器座	Head, Lube Oil Filter	1		
8	299006114	管塞	Plug, Pipe	1		1/4 NPT
	299006220	螺塞	Plug, Threaded	2		9/16 - 18 UNF
9	299006221	0 形密封圈	Seal, O Ring	1		
10	299006227	螺塞	Plug, Threaded	1		
	299006229	螺塞	Plug, Threaded	1		7/18 - 14 UNF
11	299012674	螺塞	Plug, Threaded	1		
12	299006230	0 形密封圈	Seal, O Ring	1		
13	299006268	节温器	Thermostat	1		
14	299006402	机油滤清器座	Head, Lube Oil Filter	1		
	299006439	螺塞	Plug, Threaded	1		1 1/16 - 12 UNF
15	299006250	0 形密封圈	Seal, O Ring	1		
16	299012675	螺塞	Plug, Threaded	1		
17	299006967	旁通阀柱塞	Plunger, Bypass Valve	1		
18	299006972	挡圈	Ring, Retaining	1		
19	299006977	挡圈	Ring, Retaining	1		

机油冷却器
Oil cooler

序号 Item No.	零件代码 Part No	中文名称 Chinese Name	英文名称 English Name	数量 Quantity	单位 Unit	备注 Notes
20	299007008	膨胀塞	Plug, Expansion	1		
21	299007009	压缩弹簧	Spring, Compression	1		
22	299006423	机油冷却器	Cooler, Oil	1		
23	299006645	六角凸缘头螺栓	Screw, Hex Flange Head Cap	6		M10 x 1.50 x 170
24	299006971	滤清器座密封垫	Gasket, Filter Head	1		
25	299007024	六角头螺栓	Screw, Hexagon Head Cap	2		M10x1.50x70
26	299007038	机油冷却器芯密封垫	Gasket, Oil Cooler Support	2		
27	299007084	六角凸缘头螺栓	Screw, Hex Flange Head Cap	3		M10 x 1.50 x 30

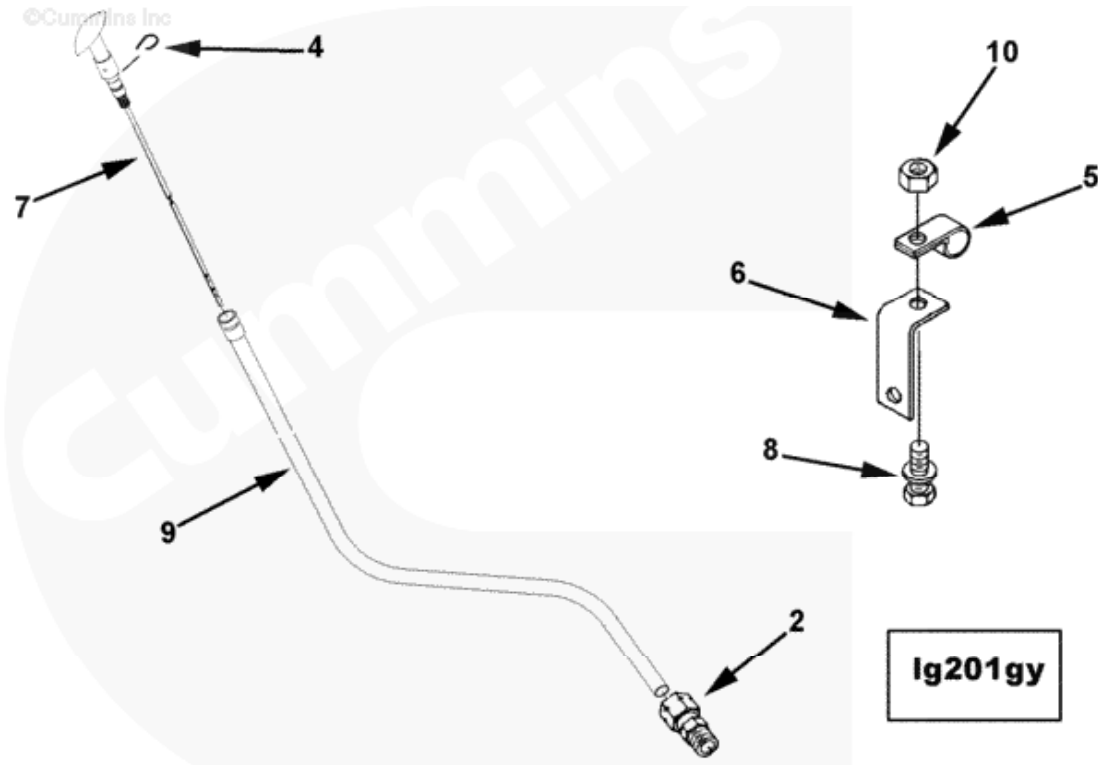




全流式机油滤清器
Filter, Full Flow Oil

序号 Item No.	零件代码 Part No	中文名称 Chinese Name	英文名称 English Name	数量 Quantity	单位 Unit	备注 Notes
1	299006395 299016824	机油滤清器滤芯 铭牌	Filter, Lubricating Oil Decal	1 1		Filtration.

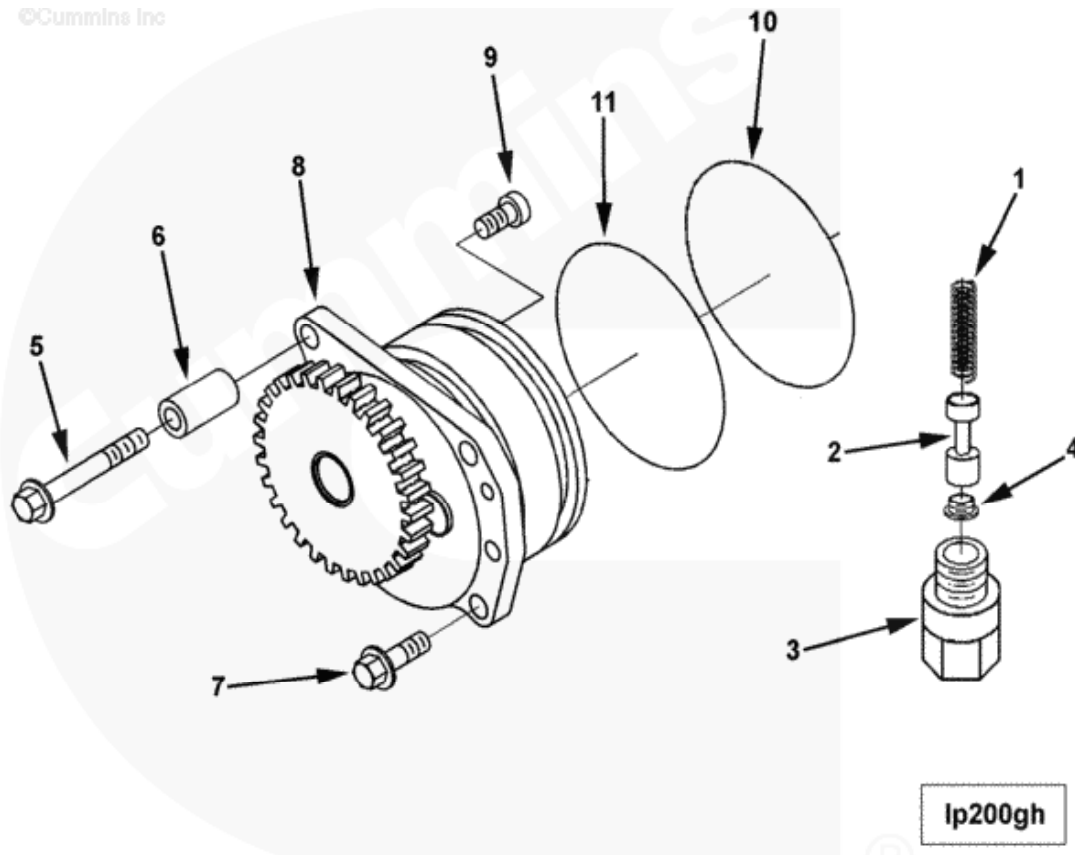
油位表
Gauge, Oil Level



油位表
Gauge, Oil Level

序号 Item No.	零件代码 Part No	中文名称 Chinese Name	英文名称 English Name	数量 Quantity	单位 Unit	备注 Notes
2	299006022	管接头	Connector, Tube	1		Surface replacement ferrule
3	299006120	平垫圈	Washer, Plain	1		M8
4	299006195	油尺固定器	Retainer, Dipstick	1		
5	299012640	卡箍	Clip	1		
6	299006443	拉线支架	Bracket, Cable	1		
7	299006564	油尺	Dipstick	1		
8	299006988	垫圈螺栓	Screw, Captive Washer Cap	1		M8 x 1.25 x 20
9	299007075	机油油位计管	Tube, Oil Gauge	1		
10	299007111	六角凸缘螺母	Nut, Hexagon Flange	2		M8 X 1.25.

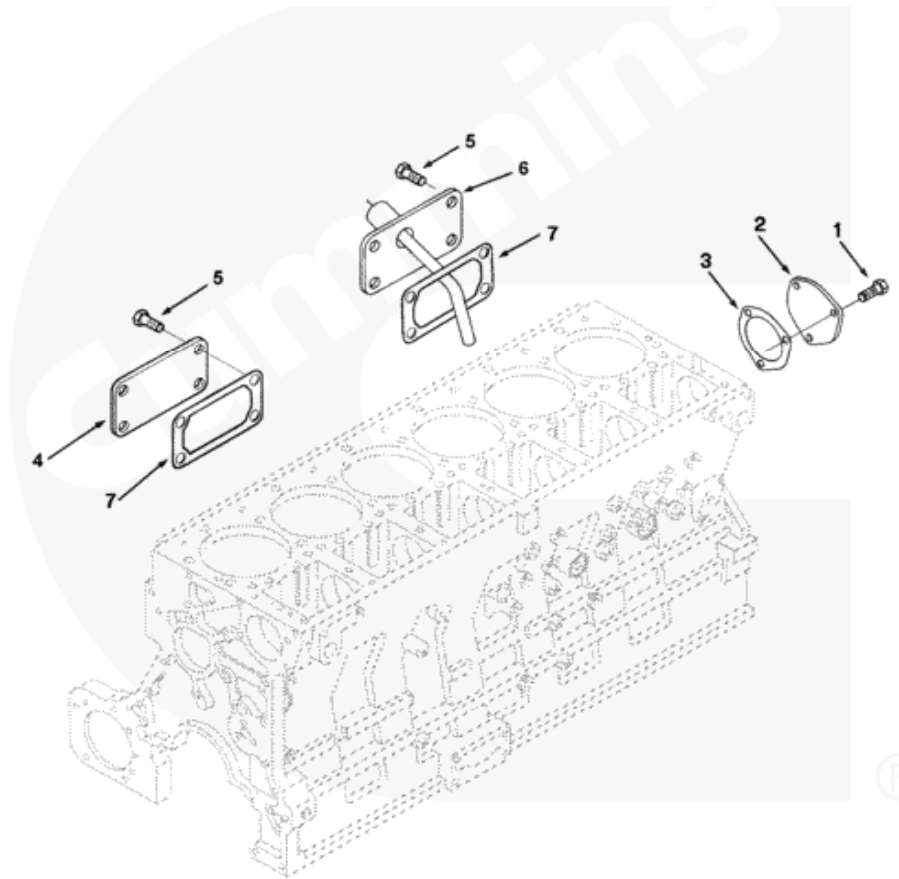
机油泵
Oil pump



机油泵
Oil pump

序号 Item No.	零件代码 Part No	中文名称 Chinese Name	英文名称 English Name	数量 Quantity	单位 Unit	备注 Notes
1	299006124	压缩弹簧	Spring, Compression	1		
2	299006291	压力调节器柱塞	Plunger, Prs Regulator	1		
3	299006295	粘度传感器	Sensor, Viscosity	1		Oil.
4	299006987	固定塞	Plug, Retainer	1		
5	299007058	六角凸缘头螺栓	Screw, Hex Flange Head Cap	2		M8 x 1.25 x 60
6	299007059	安装垫块	Spacer, Mounting	2		
7	299007060	六角凸缘头螺栓	Screw, Hex Flange Head Cap	1		M8 x 1.25 x 25
8	299008386	机油泵	Pump, Lubricating Oil	1		4003950 RX
9	299006161	内六角螺栓	Screw, Socket Head Cap	4		M8 x 1.25 x 20
10	299006202	O 形密封圈	Seal, O Ring	1		
11	299006203	O 形密封圈	Seal, O Ring	1		

机油加注口布置
Oil fill port

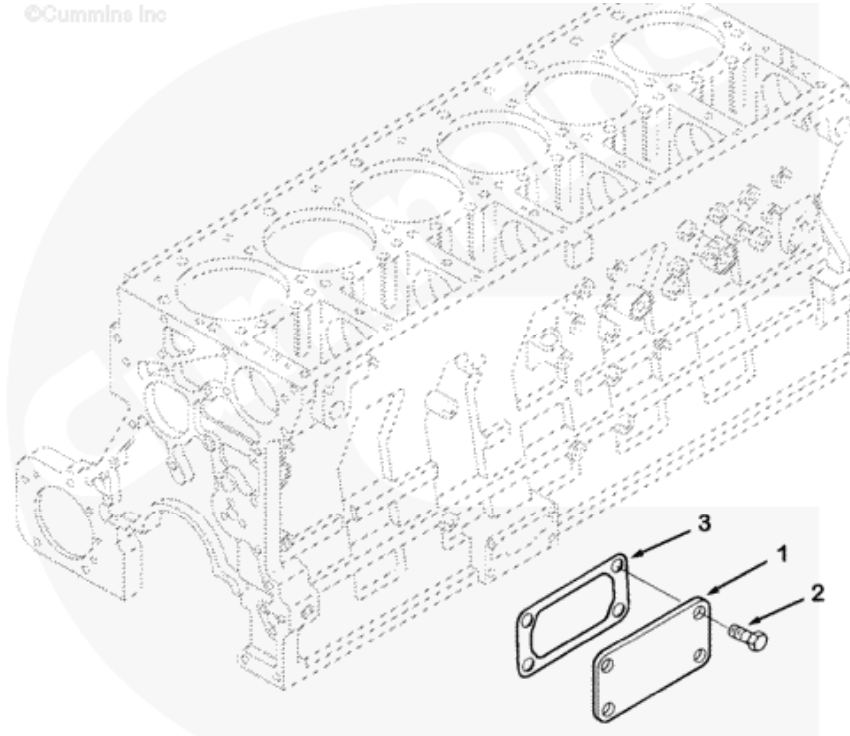


机油加注口布置
Oil fill port

序号 Item No.	零件代码 Part No	中文名称 Chinese Name	英文名称 English Name	数量 Quantity	单位 Unit	备注 Notes
1	299006122	六角头螺栓	Screw, Hexagon Head Cap	3		M10 x 1.50 x 22
2	299006164	凸轮轴盖	Cover, Camshaft	1		
3	299006165	盖板密封垫	Gasket, Cover Plate	1		
4	299006192	检修孔盖	Cover, Hand Hole	1		
5	299006215	六角头螺栓	Screw, Hexagon Head Cap	8		M10 x 1.50 x 20
6	299006968	检修孔盖	Cover, Hand Hole	1		
7	299007026	检修孔密封垫	Gasket, Hand Hole	2		
	299007036	指示标签	Tag, Instruction	1		

孔盖
Cover, Hand Hole

©Cummins Inc



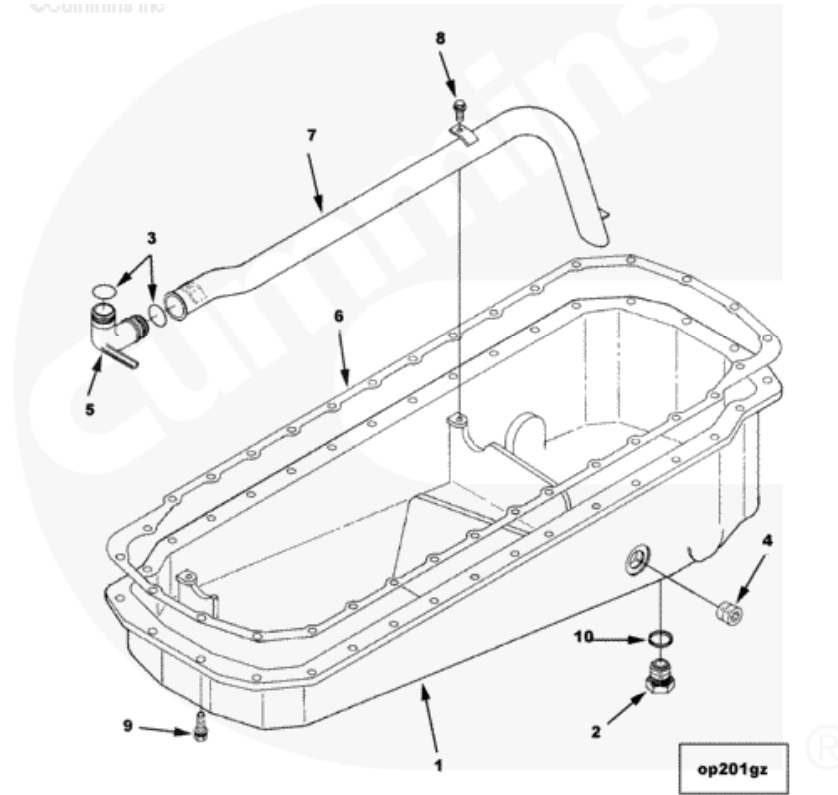
ob207ge

孔盖

Cover,Hand Hole

序号 Item No.	零件代码 Part No	中文名称 Chinese Name	英文名称 English Name	数量 Quantity	单位 Unit	备注 Notes
1	299006192	检修孔盖	Cover, Hand Hole	1		
2	299006215	六角头螺栓	Screw, Hexagon Head Cap	4		M10 x 1.50 x 20
3	299012677	手孔盖垫片	Gasket, Hand Hole	1		

油底壳
Oil sump

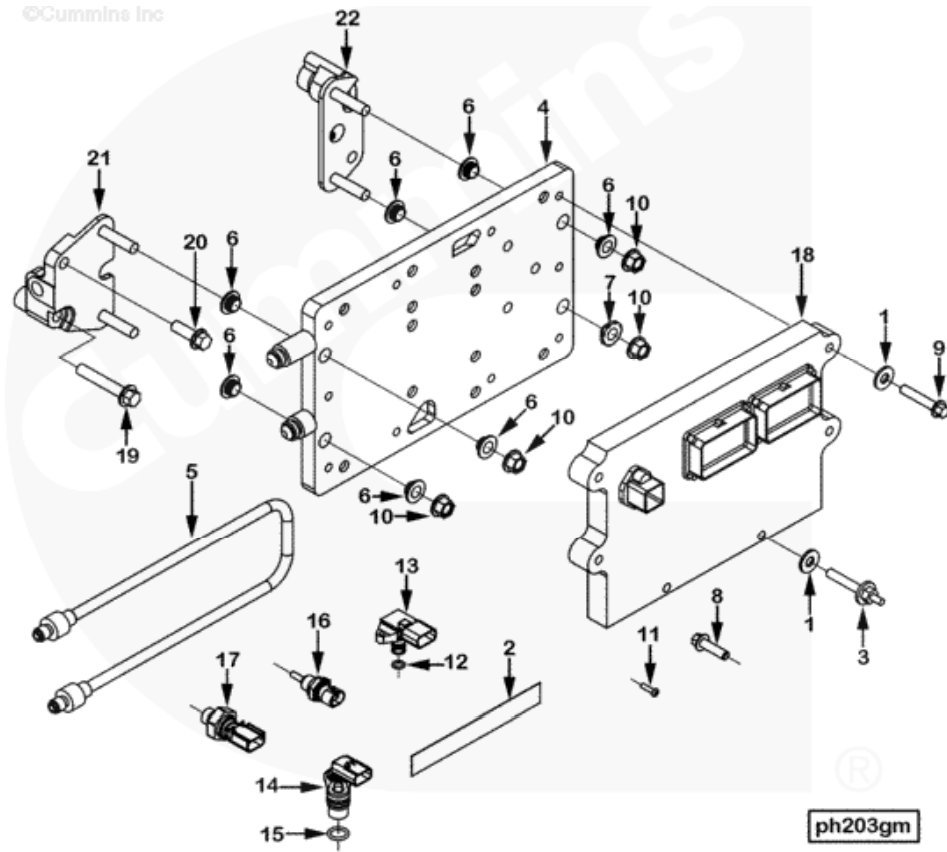


.. 1 + 1 + 1

油底壳
Oil sump

序号 Item No.	零件代码 Part No	中文名称 Chinese Name	英文名称 English Name	数量 Quantity	单位 Unit	备注 Notes
	299007071	油底壳	Pan, Oil			
1	299012678	油底壳	Pan, Oil	1		
2	299006262	螺塞	Plug, Threaded	1		1 - 18 UNS
8	299007118	六角凸缘头螺栓	Screw, Hex Flange Head Cap	3		M8 x 1.25 x 20
4	299006117	管塞	Plug, Pipe	1		1 NPT
7	299006305	机油吸油管	Tube, Lub Oil Suction	1		
6	299006631	机油回油管密封垫	Gasket, Oil Pan	1		
3	299006201	O 形密封圈	Seal, O Ring	2		
5	299007005	机油输油管	Tube, Lub Oil Transfer	1		
9	299007084	六角凸缘头螺栓	Screw, Hex Flange Head Cap	32		M10 x 1.50 x 30
10	299001645	平垫圈	Washer, Plain	1		1 1/32 Inch.

发动机控制模块
Engine control model



发动机控制模块
Engine control model

序号 Item No.	零件代码 Part No	中文名称 Chinese Name	英文名称 English Name	数量 Quantity	单位 Unit	备注 Notes
1	299006011	平垫圈	Washer, Plain	4		3/8 Inch.
2	299016825	铭牌	Dataplate	1		
3	299006424	六角头螺栓	Stud	3		
	299006431	控制器冷却器总成	Cooler, Electronic Control	1		
4	299012682	电控冷却器	Cooler, Electronic Control	1		
5	299016826	供油管	Tube, Fuel Supply	1		
6	299006584	绝缘线垫圈	Washer, Insulating	7		
7	299006585	接地线垫圈	Washer, Ground	1		
8	299007118	六角凸缘头螺栓	Screw, Hex Flange Head Cap	2		M8 X 1.25 X 20.
9	299007153	六角凸缘头螺栓	Screw, Hex Flange Head Cap	4		M8 X 1.25 X 45.
10	299007182	六角凸缘螺母	Nut, Hexagon Flange	4		M10 X 1.50.
11	299007989	内六角螺栓	Screw, Socket Head Cap	1		
	299016827	温度传感器	Sensor, Prs Temperature	1		Intake manifold.
12	299008734	O 形密封圈	Seal, O Ring	1		
13	299016828	温度传感器	Sensor, Prs Temperature	1		
	299008749	位置传感器	Sensor, Position	2		Camshaft
14	299014591	位置传感器	Sensor, Position	1		
15	299008764	O 形密封圈	Seal, O Ring	1		
	299016829	水温传感器	Water Temp Sensor	1		
16	299009155	温度传感器	Sensor, Temperature	1		Fuel
	299016830	油量传感器	Oil Prs Sensor (#339)	1		
17	299008747	压力传感器	Sensor, Pressure	1		Oil.
	299016831	电子控制模块	Module, Electronic Control	1		
	299016832	数据存储器	Data, Nonvolatile Memory	1		

发动机控制模块
Engine control model

序号 Item No.	零件代码 Part No	中文名称 Chinese Name	英文名称 English Name	数量 Quantity	单位 Unit	备注 Notes
	299016833	数据装载机	Data, Bootloader	1		
18	299016834	电子控制模块	Module, Electronic Control	1		
19	299006401	六角凸缘头螺栓	Screw, Hex Flange Head Cap	1		
20	299007187	六角凸缘头螺栓	Screw, Hex Flange Head Cap	1		M10 x 1.50 x 30.
21	299008496	热交换器支架	Support, Heat Exchanger	1		
19	299006401	六角凸缘头螺栓	Screw, Hex Flange Head Cap	1		
20	299007187	六角凸缘头螺栓	Screw, Hex Flange Head Cap	1		M10 x 1.50 x 30.
22	299008495	热交换器支架	Support, Heat Exchanger	1		

涡轮增压器
Turbocharger

序号 Item No.	零件代码 Part No	中文名称 Chinese Name	英文名称 English Name	数量 Quantity	单位 Unit	备注 Notes
	299006353	涡轮增压器密封垫	Gasket, Turbocharger	1		
	299006381	双头螺栓	Stud	2		
	299006948	六角凸缘螺母	Nut, Hexagon Flange	4		M10 X 1.50.
	299008379	压力调节器阀	Valve, Pressure Regulator	1		
	S 607	锁紧垫圈	Washer, Lock	2		#10.
	299005951	外螺纹管接头	Connector, Male	1		
	299005874	管塞	Plug, Pipe	1		1/8 NPT.
	299005827	气门弹簧	Spring, Valve	2		
	299005681	矩形密封圈	Seal, Rectangular Ring	2		
	299006132	球	Ball	2		
	299006261	电磁阀	Solenoid	2		
	299006587	切断阀屏蔽片	Shield, Shutoff Valve	2		
	299006588	控制阀阀体	Body, Control Valve	1		
	299006637	计量孔塞	Plug, Orifice	1		
	299006638	计量孔塞	Plug, Orifice	1		
	299006639	计量孔塞	Plug, Orifice	1		
	299006640	计量孔塞	Plug, Orifice	1		
	299006643	电子控制模块导线线束	Harness, Etr Cnt Mdl Wrg	1		
	299007002	O 形密封圈	Seal, O Ring	1		
	299008380	圆盘阀	Disc, Valve	2		
	299008529	内六角螺栓	Screw, Socket Head Cap	8		
	299008484	涡轮增压器	Turbocharger	1		
	299016835	涡轮增压器	Turbocharger	1		
	299016836	机油挡油圈	Slinger, Oil	1		

涡轮增压器
Turbocharger

序号 Item No.	零件代码 Part No	中文名称 Chinese Name	英文名称 English Name	数量 Quantity	单位 Unit	备注 Notes
	299016837	挡油板	Plate, Oil Seal	1		
	299006676	平垫圈	Washer, Plain	3		
	299006678	螺钉	Screw, Drive	2		
	299006682	开口毡封圈	Seal, Split Ring	2		
	299006683	空心定位销	Pin, Roll	2		
	299006695	盖板	Plate, Cover	1		
	299006704	锁紧螺母	Nut, Lock	2		1/4 - 28 UNF.
	299006705	挡圈	Ring, Retaining	1		
	299006707	正六角螺母	Nut, Regular Hexagon	2		1/4 - 28 UNF.
	299006713	V 型带箍	Clamp, V Band	1		
	299006721	安装垫块	Spacer, Mounting	3		
	299006728	六角头定位螺栓	Screw, Hexagon Head Set	3		
	299006729	涡轮增压器隔热罩	Shield, Turbocharger Heat	1		
	299006733	止推环	Collar, Thrust	1		
	299006738	涡轮增压器轴承	Bearing, Turbocharger	2		
	299006743	涡轮增压器轴承座	Housing, Tur Bearing	1		
	299006747	轴和轮	Shaft & Wheel	1		
	299016838	涡轮增压器密封垫	Gasket, Turbocharger	1		
	299006772	空气压缩机壳体	Housing, Compressor	1		
	299006777	涡轮增压器止推轴承	Bearing, Tur Thrust	1		
	299006785	涡轮增压器执行器	Actuator, Turbocharger	1		
	299016839	调整器室	Housing, Actuator	1		
	299016840	膜片	Diaphragm	1		
	299006714	防尘罩	Shield, Dust	1		

涡轮增压器
Turbocharger

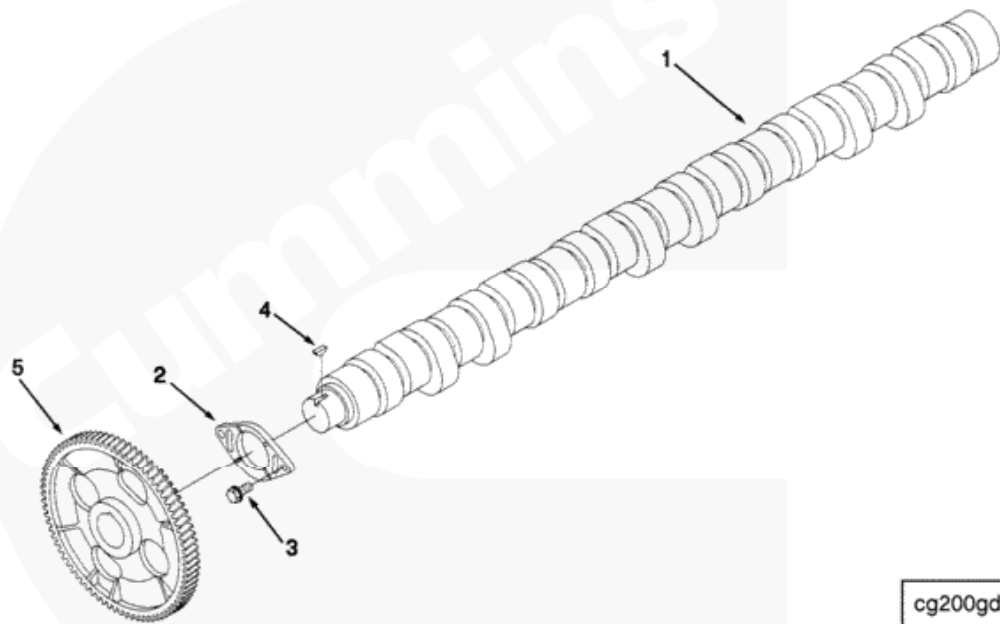
序号 Item No.	零件代码 Part No	中文名称 Chinese Name	英文名称 English Name	数量 Quantity	单位 Unit	备注 Notes
	299016841	调整器盖	Cover, Actuator	1		
	299006778	压缩弹簧	Spring, Compression	1		
	299006806	执行器盖	Cover, Actuator	1		
	299006807	促动器壳	Housing, Actuator	1		
	299006810	压板	Plate, Clamping	1		
	299006812	调节器杆导管	Guide, Actuator Shaft	1		
	299006815	促动器活塞	Piston, Tur Actuator	1		
	299006786	六角头定位螺栓	Screw, Hexagon Head Set	3		
	299006789	涡轮增压器空气压缩机叶轮	Impeller, Tur Compressor	1		
	299006803	V 型带箍	Clamp, V Band	1		
	299006822	调节杆杆端	End, Adjusting Link	1		
	299006782	轴套	Bushing	1		
	299006821	调节杆杆端	End, Adjusting Link	1		
	299006782	轴套	Bushing	1		
	299006871	挡圈	Ring, Retaining	4		
	299006873	挡圈	Ring, Retaining	1		
	299006876	开口毡封圈	Seal, Split Ring	2		
	299006879	锁紧螺母	Nut, Lock	1		M8 X 1.25.
	299006881	O 形密封圈	Seal, O Ring	1		
	299006879	锁紧螺母	Nut, Lock	1		M8 X 1.25.
	299006881	O 形密封圈	Seal, O Ring	1		
	299008457	执行器支架	Bracket, Actuator	1		service as main kits.
	299006780	泄气阀	Valve, Wastegate	1		
	299008479	涡轮增压器壳体	Housing, Turbine	1		

涡轮增压器
Turbocharger

序号 Item No.	零件代码 Part No	中文名称 Chinese Name	英文名称 English Name	数量 Quantity	单位 Unit	备注 Notes
	299006687	垫片	Shim	1		
	299006775	轴套	Bushing	1		
	299006780	泄气阀	Valve, Wastegate	1		
	299006781	控制连接杆	Lever, Control Linkage	1		
	299008473	涡轮增压器壳体	Housing, Turbine	1		
	299021330	铭牌	Dataplate	1		

凸轮轴
Camshaft

©Cummins Inc

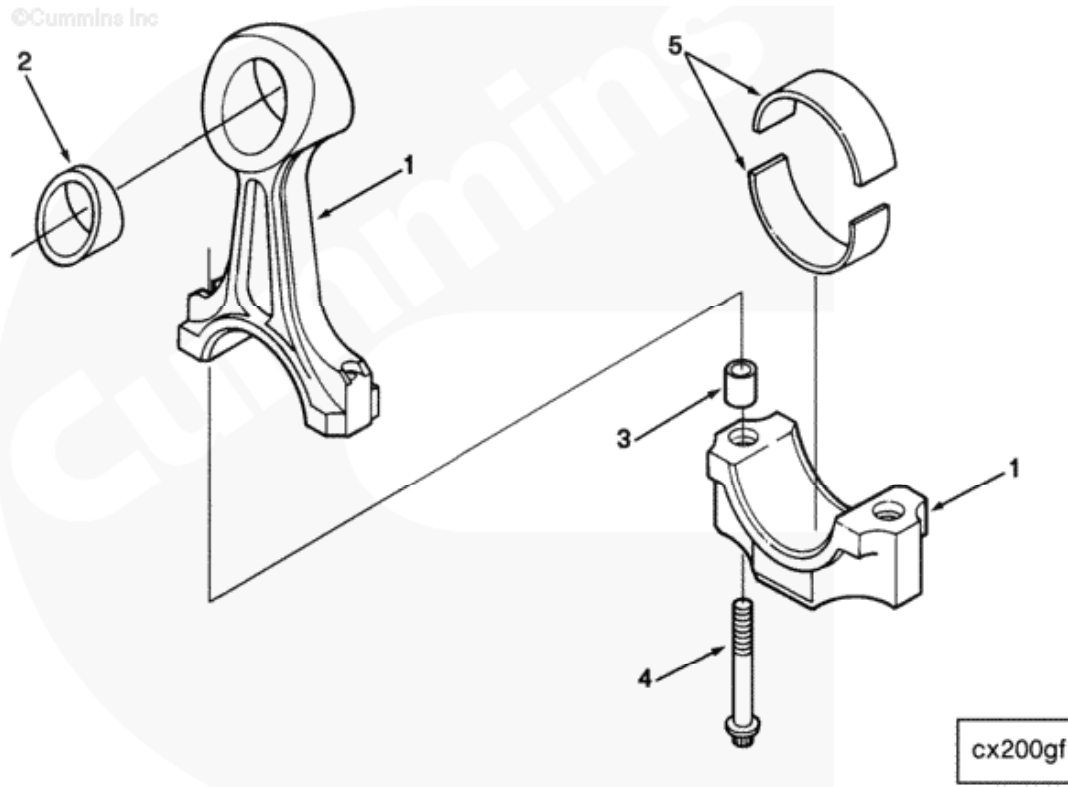


cg200gd

凸轮轴
Camshaft

序号 Item No.	零件代码 Part No	中文名称 Chinese Name	英文名称 English Name	数量 Quantity	单位 Unit	备注 Notes
1	299021528	凸轮轴盖	Camshaft	1		
2	299007077	凸轮轴止推支座	Support, Camshaft Thrust	1		
3	299006991	垫圈螺栓	Screw, Captive Washer Cap	2		M10 x 1.50 x 25
4	299016842	半圆键	Key, Offset Woodruff	1		
5	299006634	凸轮轴正时齿轮	Gear, Camshaft	1		

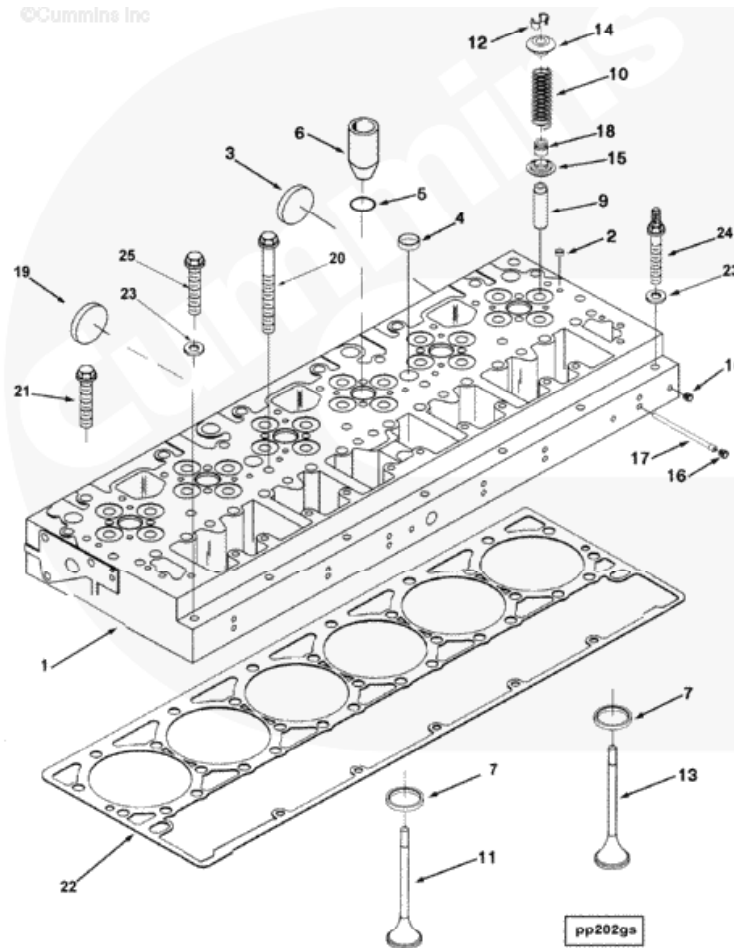
连接杆
Connecting Rod



连接杆
Connecting Rod

序号 Item No.	零件代码 Part No	中文名称 Chinese Name	英文名称 English Name	数量 Quantity	单位 Unit	备注 Notes
	299007092	活塞压缩环	Rod, Engine Connecting	6		
1	299012690	发动机连接杆	Rod, Engine Connecting	1		
2	299007087	轴套	Bushing	1		
3	299006183	环形定位销	Dowel, Ring	2		
4	299006184	连杆螺栓	Screw, Connecting Rod Cap	2		
5	299006134	连杆轴承	Bearing, Connecting Rod	12		
5	299006135	连杆轴承	Bearing, Connecting Rod	12		0.25 MM Oversize
5	299006136	连杆轴承	Bearing, Connecting Rod	12		0.50 MM Oversize
5	299006137	连杆轴承	Bearing, Connecting Rod	12		0.75 MM Oversize
5	299006138	连杆轴承	Bearing, Connecting Rod	12		1.00 MM Oversize

缸盖
Cylinder head



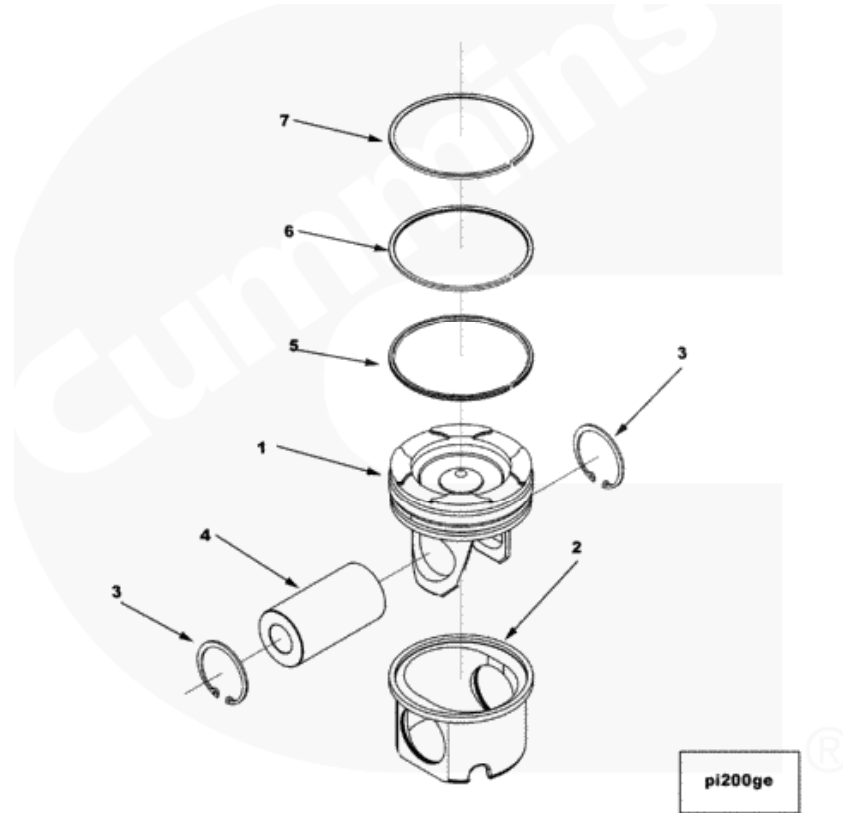
缸盖
Cylinder head

序号 Item No.	零件代码 Part No	中文名称 Chinese Name	英文名称 English Name	数量 Quantity	单位 Unit	备注 Notes
	299009144	TLA 缸盖	Head, Cylinder TLA	1		
1	299009143	气缸盖	Head, Cylinder	1		
2	299006108	膨胀塞	Plug, Expansion	2		
3	299006048	膨胀塞	Plug, Expansion	2		
4	299006109	膨胀塞	Plug, Expansion	8		
5	299006211	O 形密封圈	Seal, O Ring	6		
6	299006663	喷油器套筒	Sleeve, Injector	6		
7	299006366	气门座圈	Insert, Valve	24		
9	299008756	气门导管	Guide, Valve Stem	24		
10	299007070	气门弹簧	Spring, Valve	24		
	299009164	进气门组件	Kit, Intake Valve	12		
11	299016843	进气阀	Valve, Intake	12		Serviced as 4955239
12	299006446	气门锁夹	Collet, Valve	24		
	299006887	排气门	Kit, Exhaust Valve	12		
13	299012692	排气阀组件	Valve, Exhaust	12		
12	299006446	气门锁夹	Collet, Valve	24		
14	299006410	气门弹簧座	Retainer, Valve Spring	24		
15	299006297	气门弹簧导管	Guide, Valve Spring	24		
16	299006113	管塞	Plug, Pipe	16		1/8 NPT
17	299006975	计量孔塞	Plug, Orifice	6		
18	299008387	气门杆油封	Seal, Valve Stem	24		
19	299007063	膨胀塞	Plug, Expansion	2		
20	299008755	六角凸缘头螺栓	Screw, Hex Flange Head Cap	29		
21	299008414	六角凸缘头螺栓	Screw, Hex Flange Head Cap	3		M14 x 1.50 x 71

缸盖
Cylinder head

序号 Item No.	零件代码 Part No	中文名称 Chinese Name	英文名称 English Name	数量 Quantity	单位 Unit	备注 Notes
22	299008405	气缸垫	Gasket, Cylinder Head	1		
23	299006552	密封垫圈	Washer, Sealing	7		
24	299006557	六角凸缘头螺栓	Stud	5		
25	299006553	六角凸缘头螺栓	Screw, Hex Flange Head Cap	2		
	299006661	气门导管	Guide, Valve Stem			.20 mm Oversize
	299006669	气门座圈	Insert, Valve			
	299006670	气门座圈	Insert, Valve			
	299006671	气门座圈	Insert, Valve			
	299006672	气门座圈	Insert, Valve			

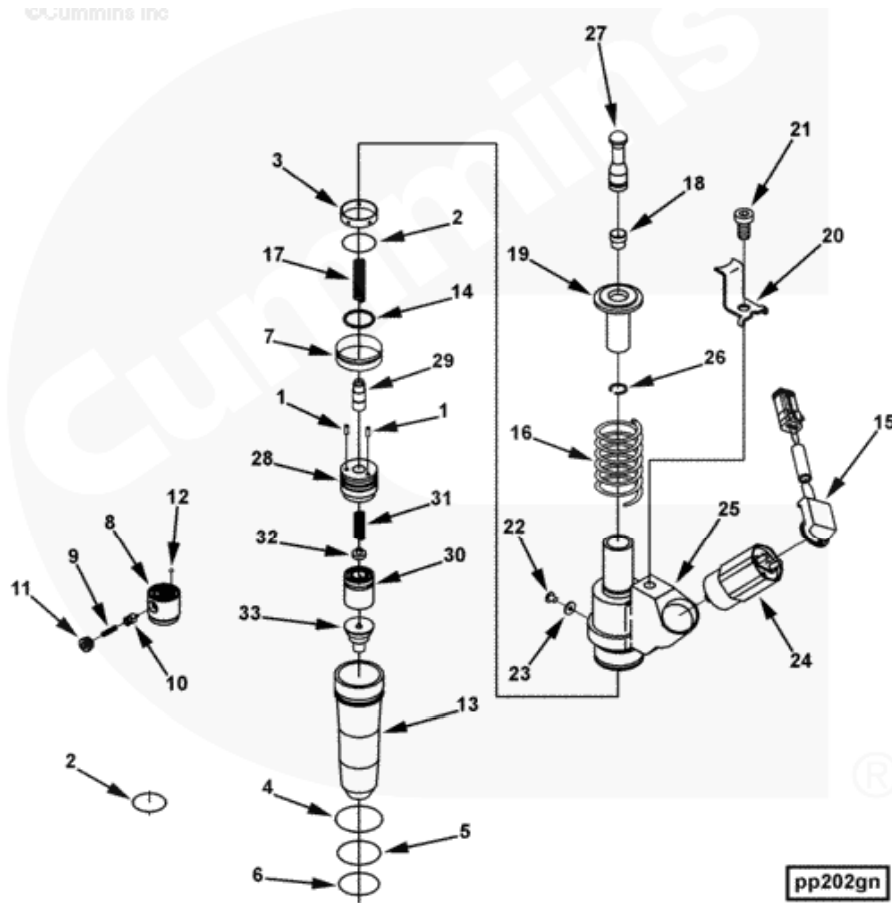
发动机活塞套件
Engine Piston Kit



发动机活塞套件
Engine Piston Kit

序号 Item No.	零件代码 Part No	中文名称 Chinese Name	英文名称 English Name	数量 Quantity	单位 Unit	备注 Notes
1	299008424	发动机活塞组件	Kit, Engine Piston	6		
	299012693	TLA发动机活塞	Piston, Engine TLA	1		
	299012694	活塞顶	Top, Piston	1		
	299012695	活塞裙	Skirt, Piston	1		
2	299006928	活塞油环	Kit, Piston Skirt	1		
3	299006133	挡圈	Ring, Retaining	2		
4	299008526	活塞销	Pin, Piston	1		
	299006929	活塞环组件	Set, Piston Ring	6		
5	299006397	活塞油环	Ring, Oil Piston	1		Oil Ring
6	299007092	活塞压缩环	Ring, Compression Piston	1		2nd Ring
7	299007048	活塞压缩环	Ring, Compression Piston	1		Top Ring
	299008423	气缸组件	Kit, Cylinder	6		
	299010924	缸套	Liner, Cylinder	1		
	299006252	矩形密封圈	Seal, Rectangular Ring			
	299012694	活塞顶	Top, Piston	1		
	299012695	活塞裙	Skirt, Piston	1		
	299008526	活塞销	Pin, Piston	1		
	299006133	挡圈	Ring, Retaining	2		
	299006929	活塞环组件	Set, Piston Ring	6		
	299007048	活塞压缩环	Ring, Compression Piston	1		
	299007092	活塞压缩环	Ring, Compression Piston	1		
	299006397	活塞油环	Ring, Oil Piston	1		

喷油器
Fuel injector



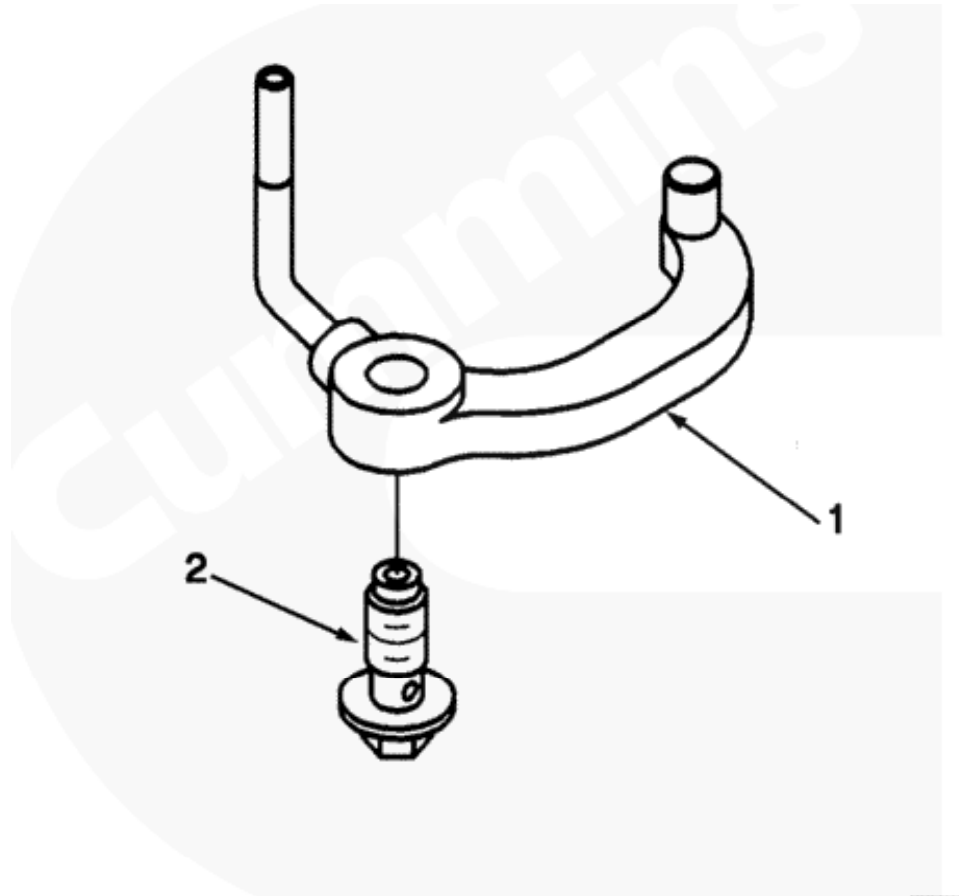
喷油器
Fuel injector

序号 Item No.	零件代码 Part No	中文名称 Chinese Name	英文名称 English Name	数量 Quantity	单位 Unit	备注 Notes
	299008500	喷油器	Injector	6		
1	299012698	直销	Pin, Straight	2		
2	299006290	O 形密封圈	Seal, O Ring	1		
3	299006299	喷油器套筒	Sleeve, Injector	1		
4	299006300	O 形密封圈	Seal, O Ring	1		
5	299006301	O 形密封圈	Seal, O Ring	1		
6	299006302	O 形密封圈	Seal, O Ring	1		
7	299006309	滤清器滤网	Screen, Filter	1		
	299006312	喷油器弹簧室隔圈	Spacer, Inj Spring Housing	1		
8	299006311	喷油器弹簧室隔圈	Spacer, Inj Spring Housing	1		
9	299012699	喷油器弹簧	Spring, Injector	1		
10	299012700	弹簧导管	Guide, Spring	1		
11	299012701	套筒扳手组螺钉	Screw, Socket Set	1		
12	299006325	单向阀球	Ball, Check	1		
13	299006320	喷油器油杯座	Retainer, Injector Cup	1		
14	299006324	O 形密封圈	Seal, O Ring	1		
15	299012702	线束	Harness, Wiring	1		
16	299006327	喷油器弹簧	Spring, Injector	1		
17	299012703	喷油器弹簧	Spring, Injector	1		
	299012704	喷油器柱塞联结器	Coupling, Injector Plunger	1		
18	299012705	喷油器耦合插座	Socket, Injector Coupling	1		
19	299012706	喷油器柱塞联结器	Coupling, Injector Plunger	1		
20	299012707	喷油器联结器止动件	Retainer, Inj Coupling	1		
21	299012708	内六角螺栓	Screw, Socket Head Cap	1		

喷油器
Fuel injector

序号 Item No.	零件代码 Part No	中文名称 Chinese Name	英文名称 English Name	数量 Quantity	单位 Unit	备注 Notes
	299012709	柱塞	Body & Plunger	1		
22	299006323	内六角螺栓	Screw, Socket Head Cap	1		
23	299006331	密封垫圈	Washer, Sealing	1		
24	299006332	电磁阀	Valve, Solenoid	1		
25	299012710	柱塞	Body & Plunger	1		
	299012711	喷油器柱塞联结器	Link, Injector Plunger	1		
26	299006310	喷油器连接杆座	Retainer, Injector Link	1		
27	299012712	喷油器柱塞联结器	Link, Injector Plunger	1		
	299012713	滚筒柱塞	Barrel & Plunger	1		
28	299012714	喷油器滚筒	Barrel, Injector	1		
29	299012715	喷油器柱塞	Plunger, Injector	1		
	299012716	喷油器杯	Cup, Injector	1		
30	299012717	喷油器弹簧壳体	Housing, Injector Spring	1		
31	299012718	空压机弹簧	Spring, Injector			
32	299012719	喷油器弹簧止动件	Retainer, Injector Spring	1		
33	299012720	喷油器杯尖	Cup & Tip			

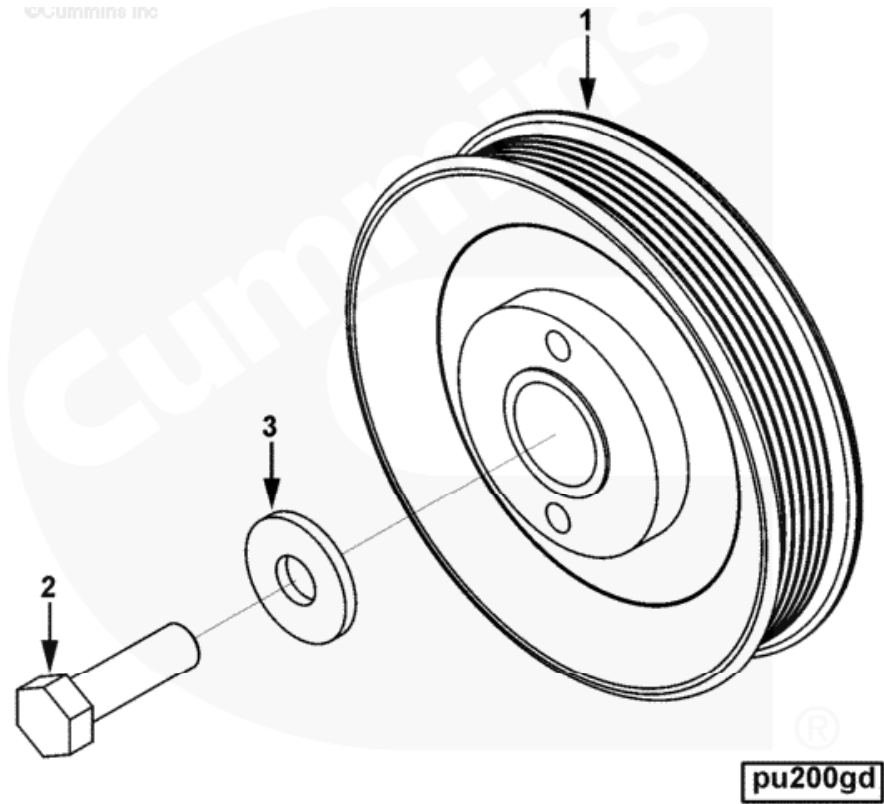
活塞冷却喷嘴
Piston cooling nozzle



活塞冷却喷嘴
Piston cooling nozzle

序号 Item No.	零件代码 Part No	中文名称 Chinese Name	英文名称 English Name	数量 Quantity	单位 Unit	备注 Notes
1	299006333	活塞冷却喷嘴	Nozzle, Piston Cooling	6		
2	299006304	六角凸缘头螺栓	Screw, Hex Flange Head Cap	6		M10 x 1.50 x 25

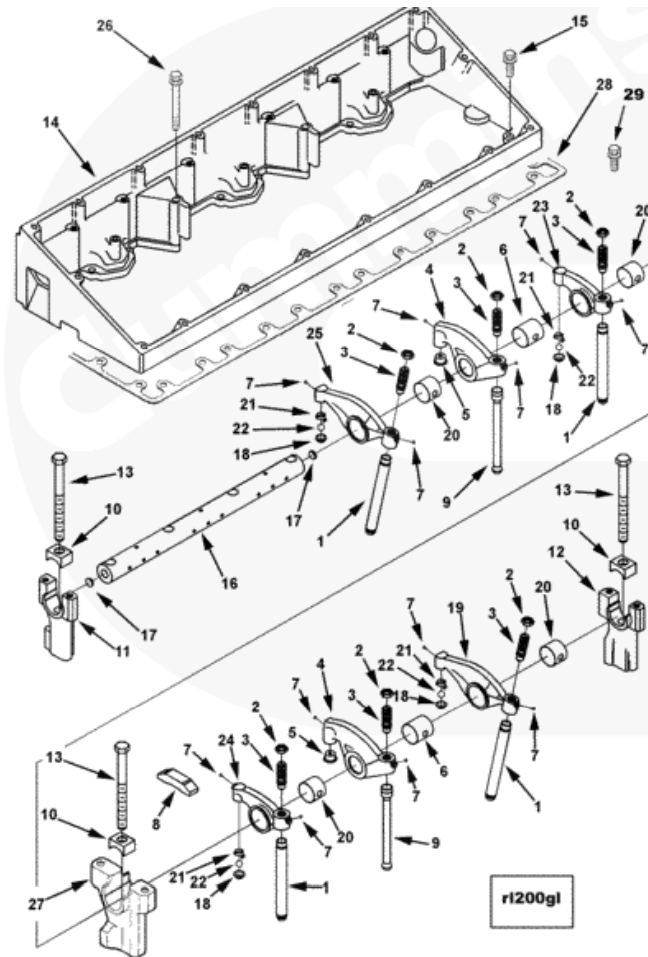
附件驱动皮带轮
Belt pulley



附件驱动皮带轮
Belt pulley

序号 Item No.	零件代码 Part No	中文名称 Chinese Name	英文名称 English Name	数量 Quantity	单位 Unit	备注 Notes
1	299007023	附件驱动皮带轮	Pulley, Accessory Drive	1		
2	299006153	六角头螺栓	Screw, Hexagon Head Cap	1		M12 x 1.75 x 40
3	299006235	平垫圈	Washer, Plain	1		M12

拉杆和摇杆
Lever,Rocker



拉杆和摇杆 Lever,Rocker

序号 Item No.	零件代码 Part No	中文名称 Chinese Name	英文名称 English Name	数量 Quantity	单位 Unit	备注 Notes
1	299006287	推杆	Rod, Push	12		
	299006292	TLA摇臂	Lever, Rocker (tla)	6		1, 2, 3, 4, 5, 6
2	299006281	正六角锁紧螺母	Nut, Regular Hexagon Jam	1		9/16 - 18 UNF
3	299006283	开槽调整螺钉	Screw, Slotted Set	1		9/16 - 18 UNF
4	299006289	摇臂	Lever, Rocker	1		Service as 3069020.
5	299006282	挺柱套筒	Socket, Tappet	1		
6	299006284	轴套	Bushing	1		
7	299006285	球阀	Plug, Ball	2		
8	299006303	气门跨接压板	Crosshead, Valve	6		
9	299008411	推杆	Rod, Push	6		
10	299006326	定位卡箍	Clamp, Retaining	8		
11	299006328	摇臂支座	Support, Rocker Lever	2		
12	299006329	摇臂支座	Support, Rocker Lever	2		
13	299006334	六角头螺栓	Screw, Hexagon Head Cap	8		M14 x 2.00 x 160
14	299006386	摇臂室壳体	Housing, Rocker Lever	1		
15	299006414	垫圈螺栓	Screw, Captive Washer Cap	14		M10 x 1.50 x 35
	299006664	摇臂轴	Shaft, Rocker Lever	2		
16	299012721	摇臂传动轴	Shaft, Rocker Lever	1		
17	299012722	驱动螺塞	Plug, Drive	2		
	299008381	TLA摇臂	Lever, Rocker(tla)	3		
2	299006281	正六角锁紧螺母	Nut, Regular Hexagon Jam	1		9/16 - 18 UNF
3	299006283	开槽调整螺钉	Screw, Slotted Set	1		9/16 - 18 UNF
7	299006285	球阀	Plug, Ball	2		
18	299012723	摇臂插槽	Socket, Rocker Lever	1		

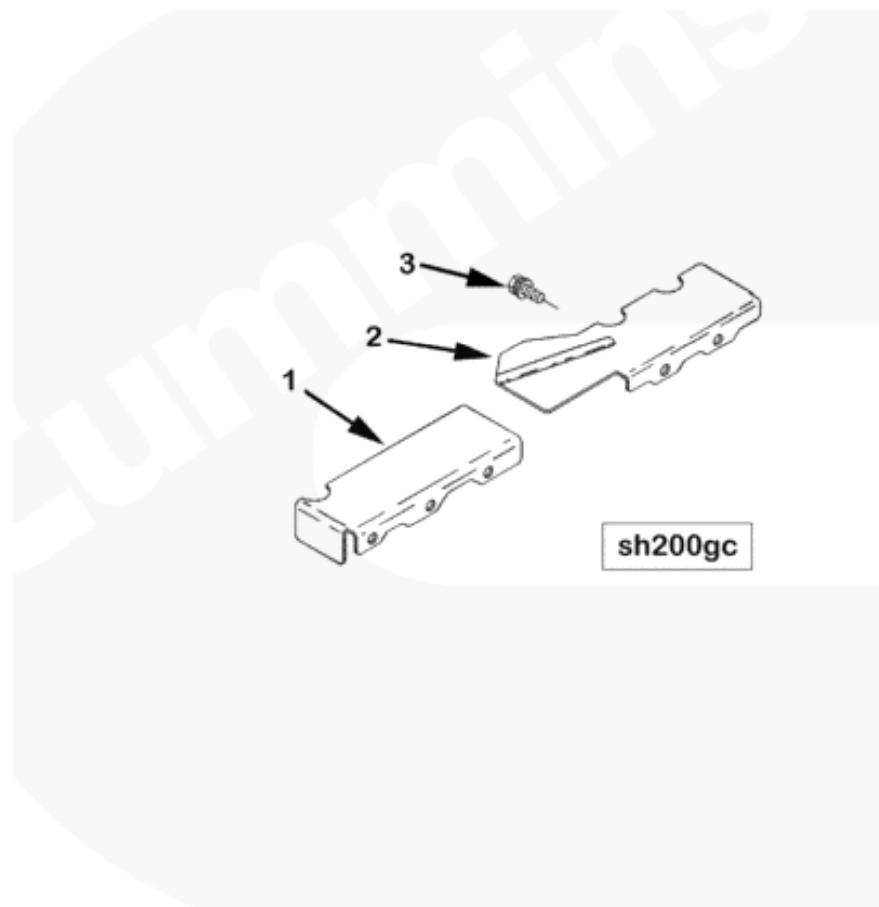
拉杆和摇杆
Lever,Rocker

序号 Item No.	零件代码 Part No	中文名称 Chinese Name	英文名称 English Name	数量 Quantity	单位 Unit	备注 Notes
19	299012724	摇臂	Lever, Rocker	1		
20	299006157	轴套	Bushing	1		
21	299012725	插槽止动件	Retainer, Socket	1		
22	299012726	滚珠螺塞	Plug, Ball	1		
	299008382	TLA摇臂	Lever, Rocker(tla)	3		
2	299006281	正六角锁紧螺母	Nut, Regular Hexagon Jam	1		9/16 - 18 UNF
3	299006283	开槽调整螺钉	Screw, Slotted Set	1		9/16 - 18 UNF
7	299006285	球阀	Plug, Ball	2		
18	299012723	摇臂插槽	Socket, Rocker Lever	1		
20	299006157	轴套	Bushing	1		
21	299012725	插槽止动件	Retainer, Socket	1		
22	299012726	滚珠螺塞	Plug, Ball	1		
23	299012730	摇臂	Lever, Rocker	1		
	299008383	TLA摇臂	Lever, Rocker(tla)	3		TLA CYLINDERS 2, 4, 6
2	299006281	正六角锁紧螺母	Nut, Regular Hexagon Jam	1		9/16 - 18 UNF
3	299006283	开槽调整螺钉	Screw, Slotted Set	1		9/16 - 18 UNF
7	299006285	球阀	Plug, Ball	2		
18	299012723	摇臂插槽	Socket, Rocker Lever	1		
20	299006157	轴套	Bushing	1		
21	299012725	插槽止动件	Retainer, Socket	1		
22	299012726	滚珠螺塞	Plug, Ball	1		
24	299012734	摇臂	Lever, Rocker	1		
	299008384	TLA摇臂	Lever, Rocker(tla)	3		
2	299006281	正六角锁紧螺母	Nut, Regular Hexagon Jam	1		9/16 - 18 UNF

拉杆和摇杆
Lever,Rocker

序号 Item No.	零件代码 Part No	中文名称 Chinese Name	英文名称 English Name	数量 Quantity	单位 Unit	备注 Notes
3	299006283	开槽调整螺钉	Screw, Slotted Set	1		9/16 - 18 UNF
7	299006285	球阀	Plug, Ball	2		
18	299012723	摇臂插槽	Socket, Rocker Lever	1		
20	299006157	轴套	Bushing	1		
21	299012725	插槽止动件	Retainer, Socket	1		
22	299012726	滚珠螺塞	Plug, Ball	1		
25	299012738	摇臂	Lever, Rocker	1		
26	299007035	垫圈螺栓	Screw, Captive Washer Cap	4		M10 x 1.50 x 100
27	299007044	摇臂支座	Support, Rocker Lever	4		
28	299008507	摇臂室壳体密封垫	Gasket, Rkr Lever Housing	1		
29	299008527	垫圈螺栓	Screw, Captive Washer Cap	6		M10 x 1.50 x 35

热屏蔽罩
Heat Shield

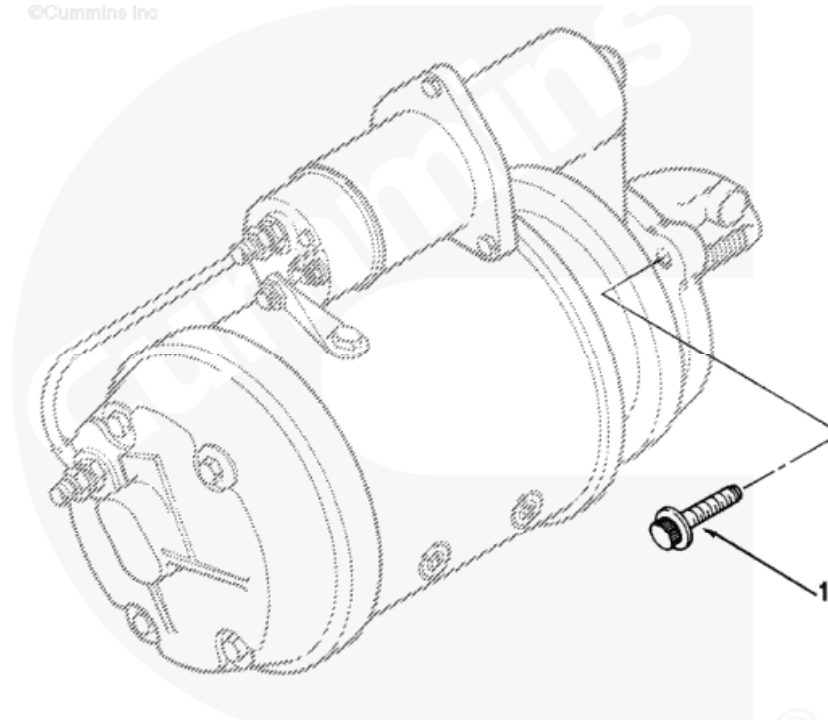


热屏蔽罩
Heat Shield

序号 Item No.	零件代码 Part No	中文名称 Chinese Name	英文名称 English Name	数量 Quantity	单位 Unit	备注 Notes
1	299006833	隔热罩	Shield, Heat	1		
2	299006834	隔热罩	Shield, Heat	1		
3	299006952	垫圈螺栓	Screw, Captive Washer Cap	5		M10 x 1.50 x 30

起动马达安装
Starter motor

©Cummins Inc

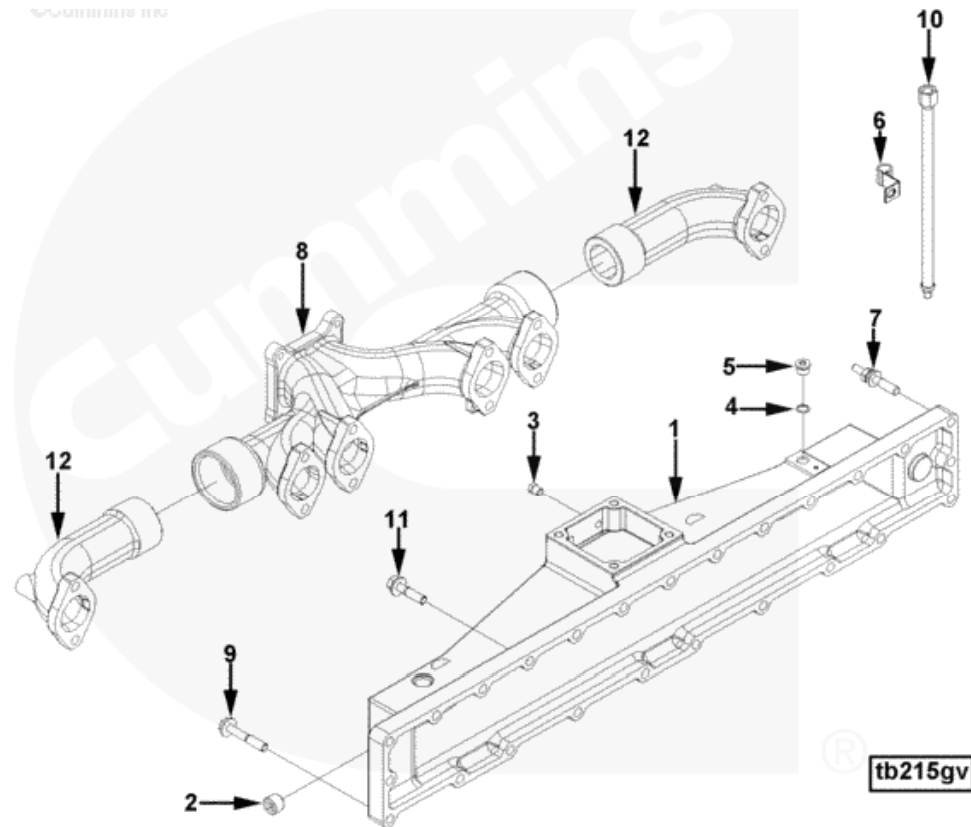


起动马达安装

Starter motor

序号 Item No.	零件代码 Part No	中文名称 Chinese Name	英文名称 English Name	数量 Quantity	单位 Unit	备注 Notes
1	299008736	12 角头螺栓	Screw, Twelve Point Cap	3		

涡轮增压器的安装
Arrangement, Turbocharger

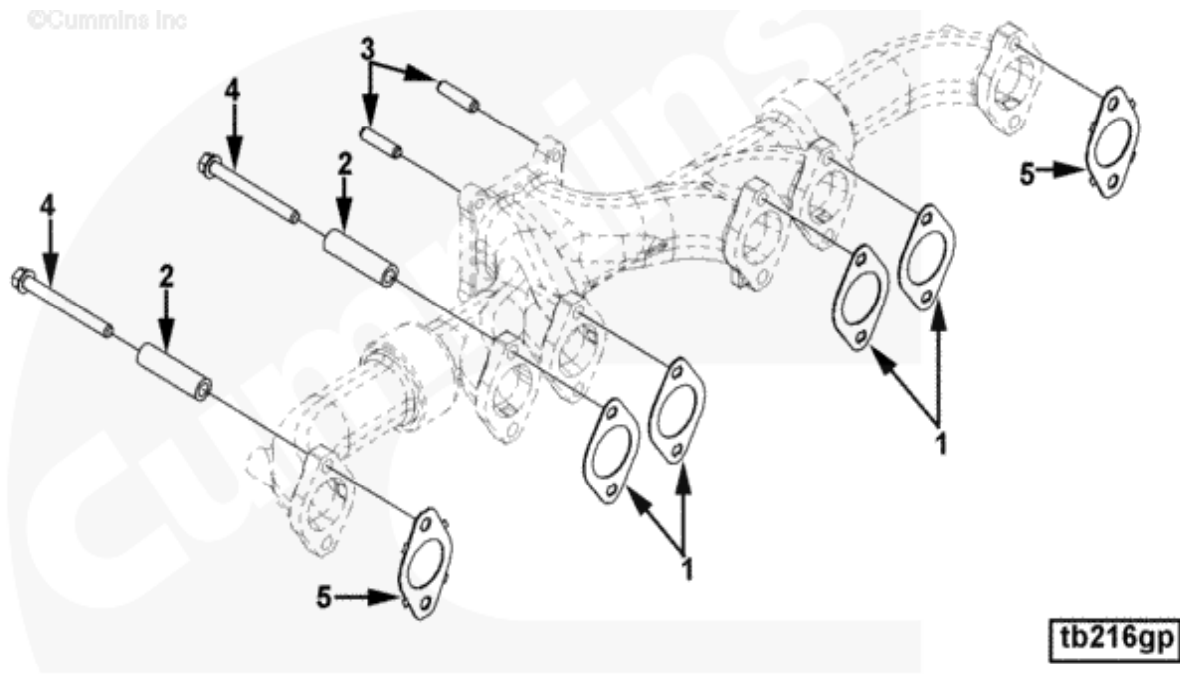


小 | 中 | 大

涡轮增压器的安装
Arrangement, Turbocharger

序号 Item No.	零件代码 Part No	中文名称 Chinese Name	英文名称 English Name	数量 Quantity	单位 Unit	备注 Notes
1	299016845	进气歧管	Manifold, Air Intake	1		
2	299006115	管塞	Plug, Pipe	2		1/2 NPT.
3	299006198	管塞	Plug, Pipe	2		1/8 NPT.
	299006220	螺塞	Plug, Threaded	2		9/16 - 18 UNF.
4	299006221	O 形密封圈	Seal, O Ring	1		
5	299006227	螺塞	Plug, Threaded	1		
6	299012739	卡箍	Clip	1		
7	299006556	垫圈螺栓	Screw, Sdd Captive Washer	6		
8	299006579	排气歧管	Manifold, Exhaust	1		
9	299006990	垫圈螺栓	Screw, Captive Washer Cap	2		M10 X 1.50 X 60.
10	299007030	柔性软管	Hose, Flexible	1		
11	299007041	垫圈螺栓	Screw, Captive Washer Cap	12		
12	299008388	排气歧管	Manifold, Exhaust	2		

涡轮增压器布置
Turbocharger

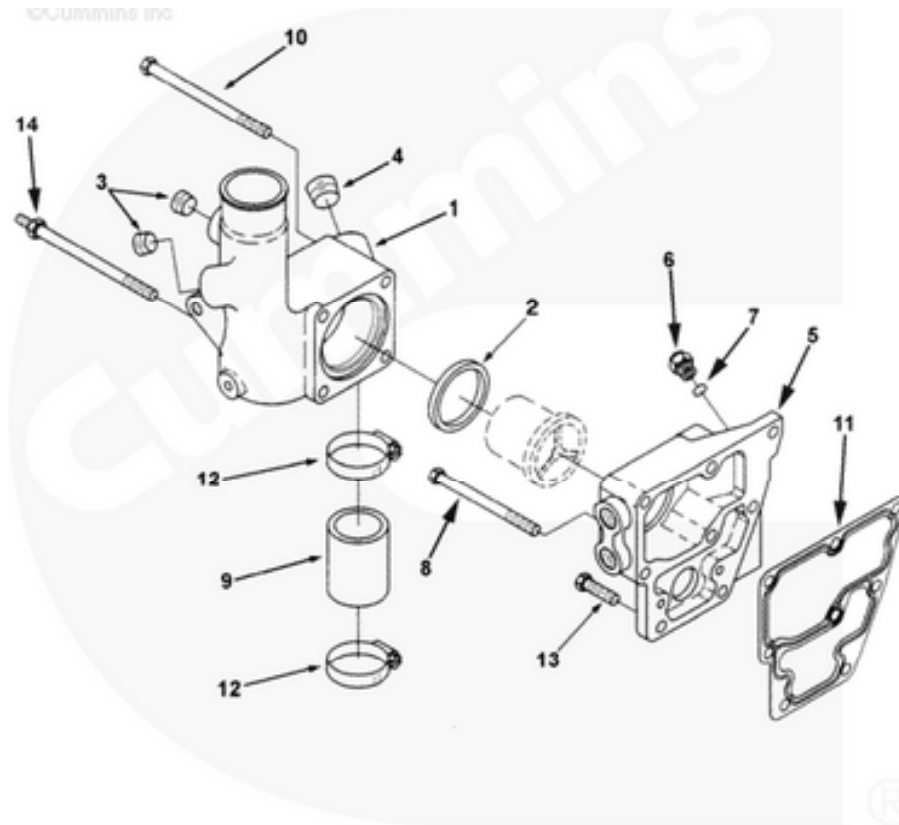


小 | 中 | 大

涡轮增压器布置
Turbocharger

序号 Item No.	零件代码 Part No	中文名称 Chinese Name	英文名称 English Name	数量 Quantity	单位 Unit	备注 Notes
1	299006565	排气歧管密封垫	Gasket, Exhaust Manifold	4		
2	299006941	安装垫块	Spacer, Mounting	12		
3	299006947	双头螺栓	Stud	2		
4	299009203	六角凸缘头螺栓	Screw, Hex Flange Head Cap	12		
5	299009365	排气歧管密封垫	Gasket, Exhaust Manifold	2		

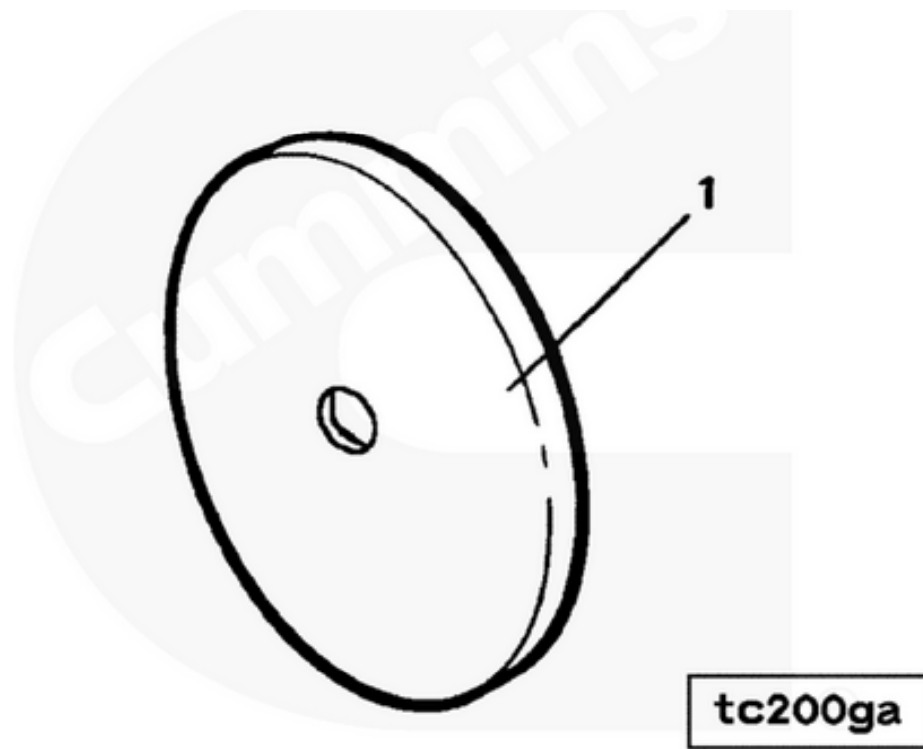
温度控制器室
Housing, Thermostat



温度控制器室
Housing,Thermostat

序号 Item No.	零件代码 Part No	中文名称 Chinese Name	英文名称 English Name	数量 Quantity	单位 Unit	备注 Notes
	299006644	节温器 TLA 壳体	Housing, Thermostat	1		
1	299006425	节温器壳体	Housing, Thermostat	1		
2	299006029	节温器密封垫	Seal, Thermostat	1		
3	299006115	管塞	Plug, Pipe	2		1/2 NPT
4	299006116	管塞	Plug, Pipe	1		3/4 NPT
	299008525	节温器壳体支架	Support, Thm Housing	1		
5	299008524	节温器壳体支架	Support, Thm Housing	1		
6	299006220	螺塞	Plug, Threaded	1		9/16 - 18 UNF
7	299006221	O 形密封圈	Seal, O Ring	1		
8	299006150	六角头螺栓	Screw, Hexagon Head Cap	1		M10 x 1.50 x 120
9	299006945	普通软管	Hose, Plain	1		
10	299006339	六角头螺栓	Screw, Hexagon Head Cap	2		M10 x 1.50 x 145
11	299007047	支架密封垫	Gasket, Support	1		
12	299007056	软管卡箍	Clamp, Hose	2		
13	299006985	六角头螺栓	Screw, Hexagon Head Cap	3		M10 x 1.50 x 35
14	299006340	六角头螺栓	Screw, Hexagon Head Cap	2		M10 x 1.50 x 172

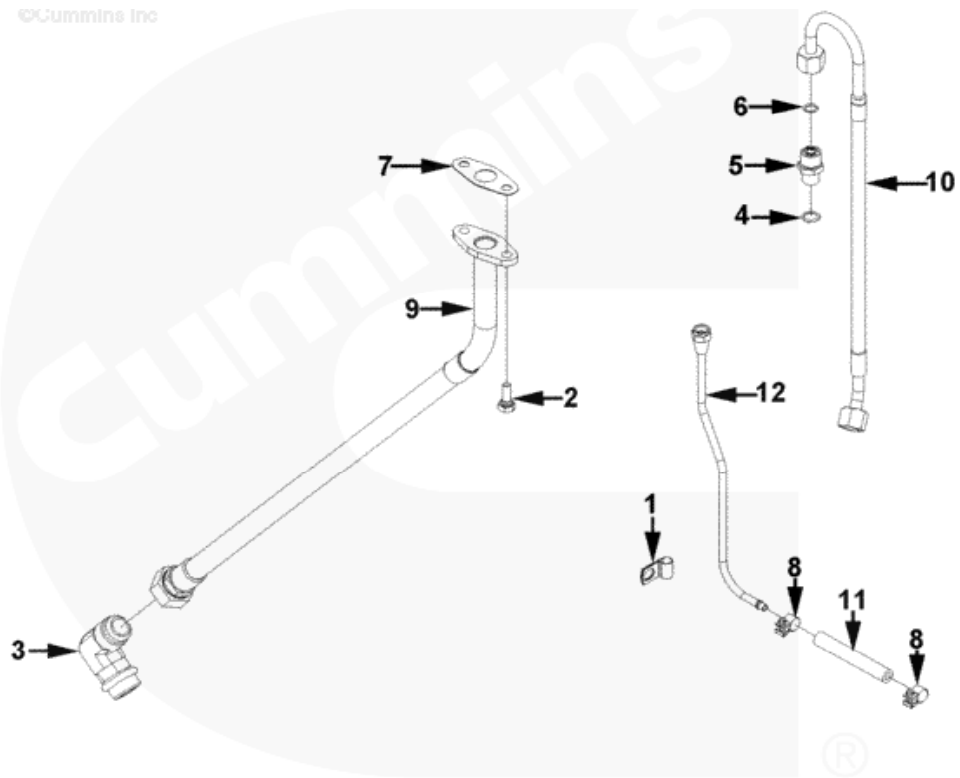
液力变矩冷却器
Torque Converter Cooler



液力变矩冷却器
Torque Converter Cooler

序号 Item No.	零件代码 Part No	中文名称 Chinese Name	英文名称 English Name	数量 Quantity	单位 Unit	备注 Notes
1	299006186	燃油喷嘴限流孔	Orifice, Ful Flow Limiting	1		1/8 inch

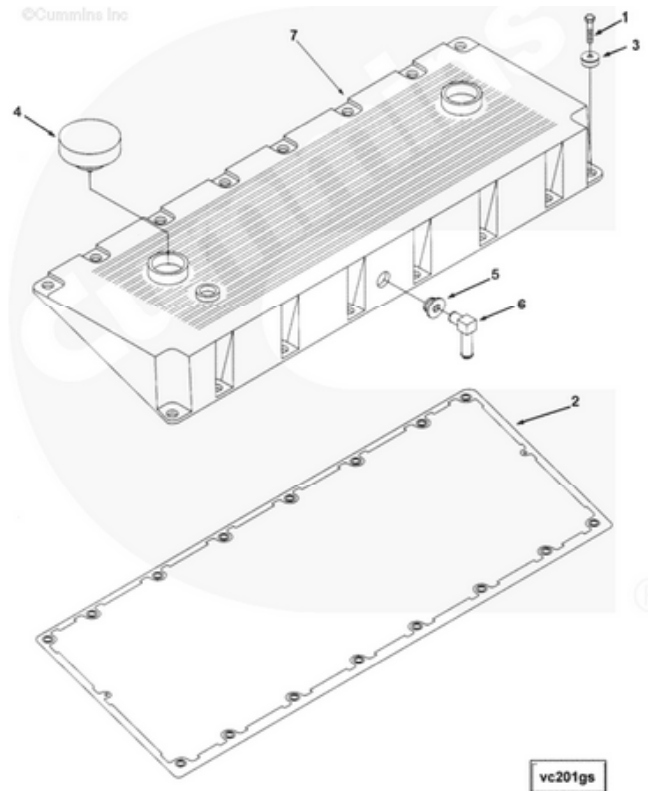
涡轮增压器管路
Turbocharger pipe



涡轮增压器管路
Turbocharger pipe

序号 Item No.	零件代码 Part No	中文名称 Chinese Name	英文名称 English Name	数量 Quantity	单位 Unit	备注 Notes
1	299012740	卡箍	Clip	1		
2	299006169	六角头螺栓	Screw, Hexagon Head Cap	2		M8 X 1.25 X 20.
3	299006253	外螺纹弯头	Elbow, Male Union	1		
	299006341	外螺纹接头	Union, Male	2		
4	299006221	O 形密封圈	Seal, O Ring	1		
5	299012741	外螺纹接头	Union, Male	1		
6	299007512	O 形密封圈	Seal, O Ring	1		
7	299007091	涡轮增压器密封垫	Gasket, Turbocharger	1		
8	299007377	软管卡箍	Clamp, Hose	2		10.5 - 13mm.
9	299008394	涡轮增压器机油回流管接头	Connection, Tur Oil Drain	1		
10	299008395	柔性软管	Hose, Flexible	1		
11	299016846	直软管	Hose, Plain	1		
12	299016847	调节器管路	Tube, Actuator	1		

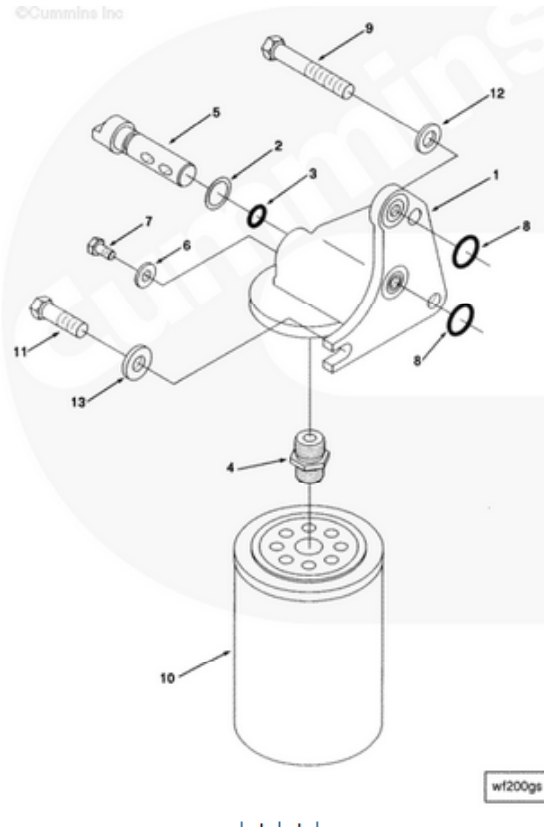
气门室盖
Valve chamber cover



气门室盖
Valve chamber cover

序号 Item No.	零件代码 Part No	中文名称 Chinese Name	英文名称 English Name	数量 Quantity	单位 Unit	备注 Notes
	299006633	红色防护罩	Cover, Rkr Lever (red)	1		
1	299007099	六角头螺栓	Screw, Hexagon Head Cap	16		M8 x 1.25 x 40
2	299007021	摇臂室盖密封垫	Gasket, Rocker Lever Cover	1		
3	299007100	隔音垫	Isolator, Noise	16		
	299006632	摇臂室 TLA 前盖	Cover, Rocker Lever TLA	1		
4	299008511	加注口盖	Cap, Filler	1		
5	299006237	密封索环	Seal, Grommet	1		
6	299006251	呼吸器管	Tube, Breather	1		
7	299012742	摇臂端盖	Cover, Rocker Lever	1		

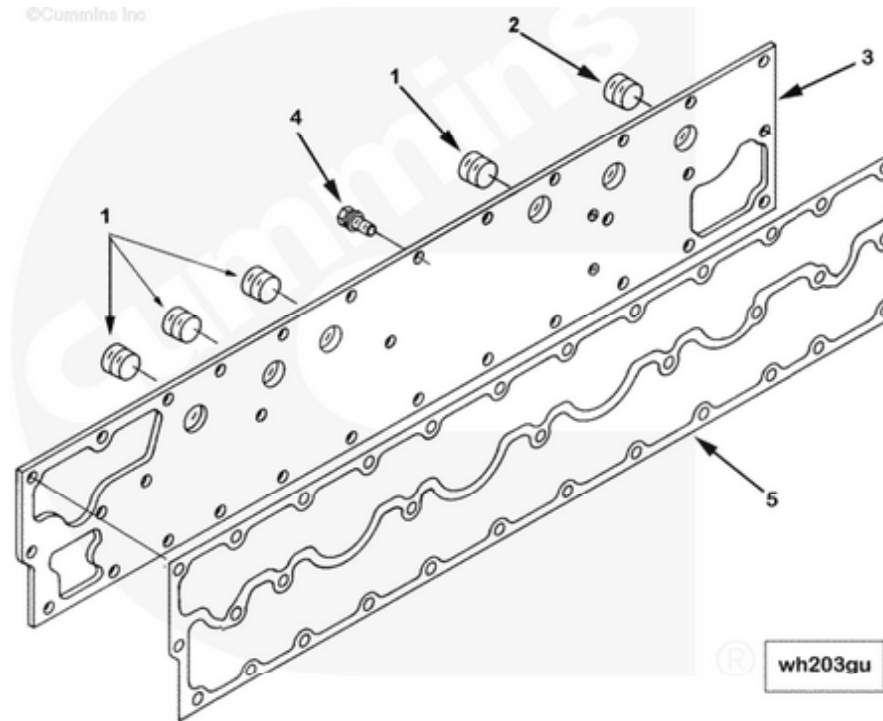
防腐蚀器
Anti-corrosion



防腐蚀器
Anti-corrosion

序号 Item No.	零件代码 Part No	中文名称 Chinese Name	英文名称 English Name	数量 Quantity	单位 Unit	备注 Notes
	299006959	防腐蚀器盖	Head, Corrosion Resistor	1		
1	299012743	防腐蚀器端盖	Head, Corrosion Resistor	1		
2	299008095	O 形密封圈	Seal, O Ring	1		
3	299006045	弹簧垫圈	Washer, Spring	1		
4	299006049	过滤头镶座	Insert, Filter Head	1		
5	299006950	截止阀轴	Shaft, Shutoff Valve	1		
6	299006236	平垫圈	Washer, Plain	1		1/4 inch
7	299006438	六角头螺栓	Screw, Hexagon Head Cap	1		M6 x 1.00 x 12
8	299006559	矩形密封圈	Seal, O Ring	2		
9	299006337	六角头螺栓	Screw, Hexagon Head Cap	1		
10	299006392	防腐蚀器	Resistor, Corrosion	1		
11	299006985	六角头螺栓	Screw, Hexagon Head Cap	2		M10 x 1.50 x 35
12	299006121	平垫圈	Washer, Plain	1		M10
13	299005862	平垫圈	Washer, Plain	2		3/8 inch
	299006992	外壳贴膜	Decal	1		

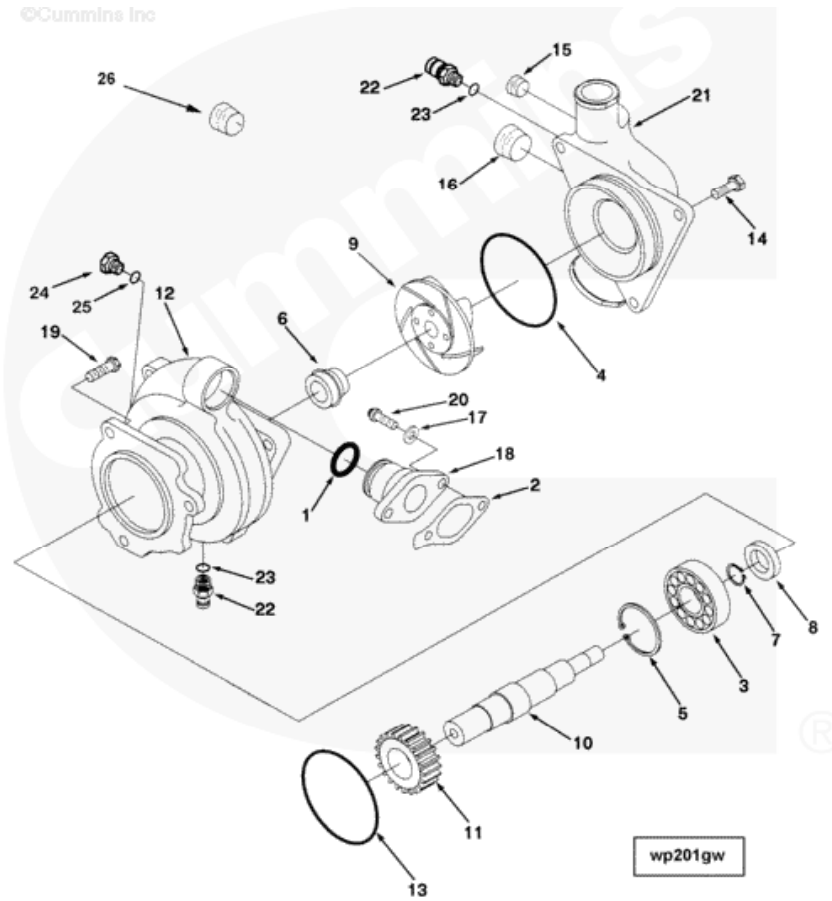
机油冷却器水管
Water pipe, Oil cooler



机油冷却器水管
Water pipe, Oil cooler

序号 Item No.	零件代码 Part No	中文名称 Chinese Name	英文名称 English Name	数量 Quantity	单位 Unit	备注 Notes
	299006343	集水水管	Cover, Water Header	1		
1	299006115	管塞	Plug, Pipe	4		1/2 NPT
2	299006116	管塞	Plug, Pipe	1		3/4 NPT
3	299006342	集水水管	Cover, Water Header	1		
4	299006938	垫圈螺栓	Screw, Captive Washer Cap	13		M10 x 1.50 x 25
5	299008522	水总管盖密封垫	Gasket, Wtr Header Cover	1		

水泵
Water pump



水泵
Water pump

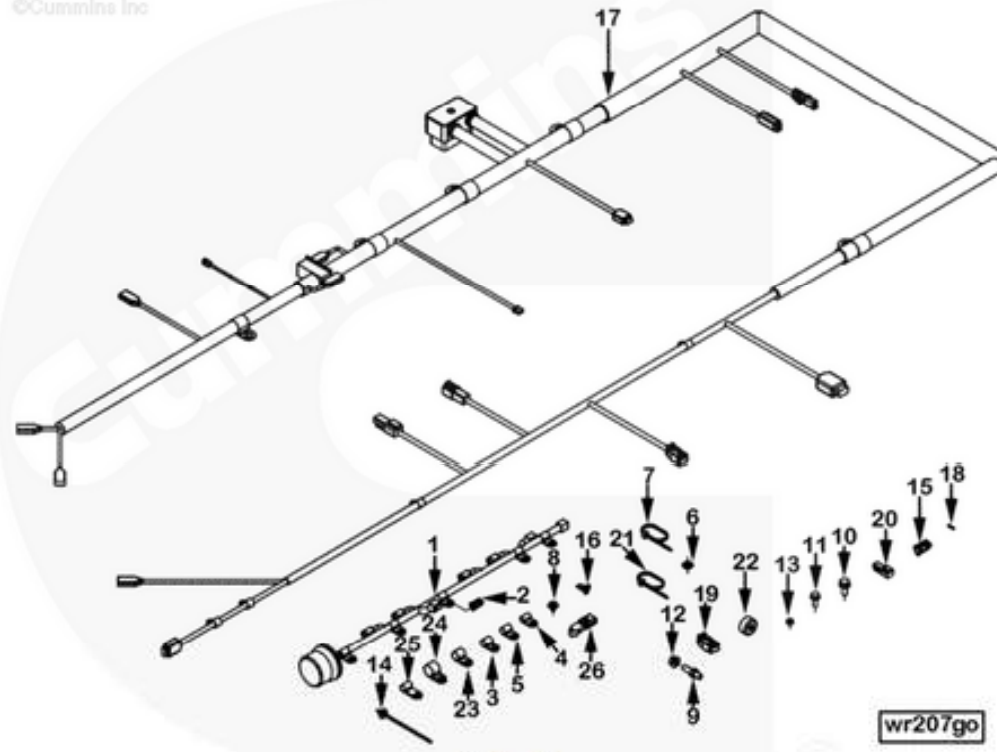
序号 Item No.	零件代码 Part No	中文名称 Chinese Name	英文名称 English Name	数量 Quantity	单位 Unit	备注 Notes
	299006888	水泵	Pump, Water	1		
1	299007034	0 形密封圈	Seal, O Ring	1		
2	299006185	接头密封垫	Gasket, Connection	1		
3	299009387	球轴承	Bearing, Ball	1		
4	299006978	0 形密封圈	Seal, O Ring	1		
5	299006020	挡圈	Ring, Retaining	1		
6	299008397	水泵密封圈	Seal, Water Pump	1		
7	299006277	挡圈	Ring, Retaining	1		
8	299006155	油封	Seal, Oil	1		
9	299006213	水泵叶轮	Impeller, Water Pump	1		
10	299006956	水泵轴	Shaft, Water Pump	1		
11	299006224	水泵齿轮	Gear, Water Pump	1		
12	299008759	水泵泵体	Body, Water Pump	1		
13	299007012	0 形密封圈	Seal, O Ring	1		
14	299006577	六角头螺栓	Screw, Hexagon Head Cap	3		M10 x 1.50 x 25.
15	299006115	管塞	Plug, Pipe	1		1/2 NPT
16	299006117	管塞	Plug, Pipe	1		1 NPT
17	299006120	平垫圈	Washer, Plain	2		M8
18	299006986	输水管接头	Connection, Water Transfer	1		
19	299006210	六角头螺栓	Screw, Hexagon Head Cap	3		M10 x 1.50 x 30
20	299007119	六角凸缘头螺栓	Screw, Hex Flange Head Cap	2		M8 x 1.25 x 25
21	299006316	水泵盖	Cover, Water Pump	1		
22	299006239	连接管接头	Nipple, Coupling	1		
23	299006221	0 形密封圈	Seal, O Ring	1		

水泵
Water pump

序号 Item No.	零件代码 Part No	中文名称 Chinese Name	英文名称 English Name	数量 Quantity	单位 Unit	备注 Notes
	299006220	螺塞	Plug, Threaded	2		9/16 - 18 UNF
24	299006220	螺塞	Plug, Threaded	1		9/16 - 18 UNF
25	299006221	O 形密封圈	Seal, O Ring	1		
26	299006116	管塞	Plug, Pipe	1		3/4 NPT
	299008421	水泵维修组件	Kit, Water Pump Repair	1		
3	299009387	球轴承	Bearing, Ball	1		
4	299006978	O 形密封圈	Seal, O Ring	1		
5	299006020	挡圈	Ring, Retaining	1		
6	299008397	水泵密封圈	Seal, Water Pump	1		
7	299006277	挡圈	Ring, Retaining	1		
8	299006155	油封	Seal, Oil	1		
9	299006213	水泵叶轮	Impeller, Water Pump	1		
13	299007012	O 形密封圈	Seal, O Ring	1		

线束
Etr Cnt Mdl Wrg Harness

©Cummins Inc



小 | 中 | 大

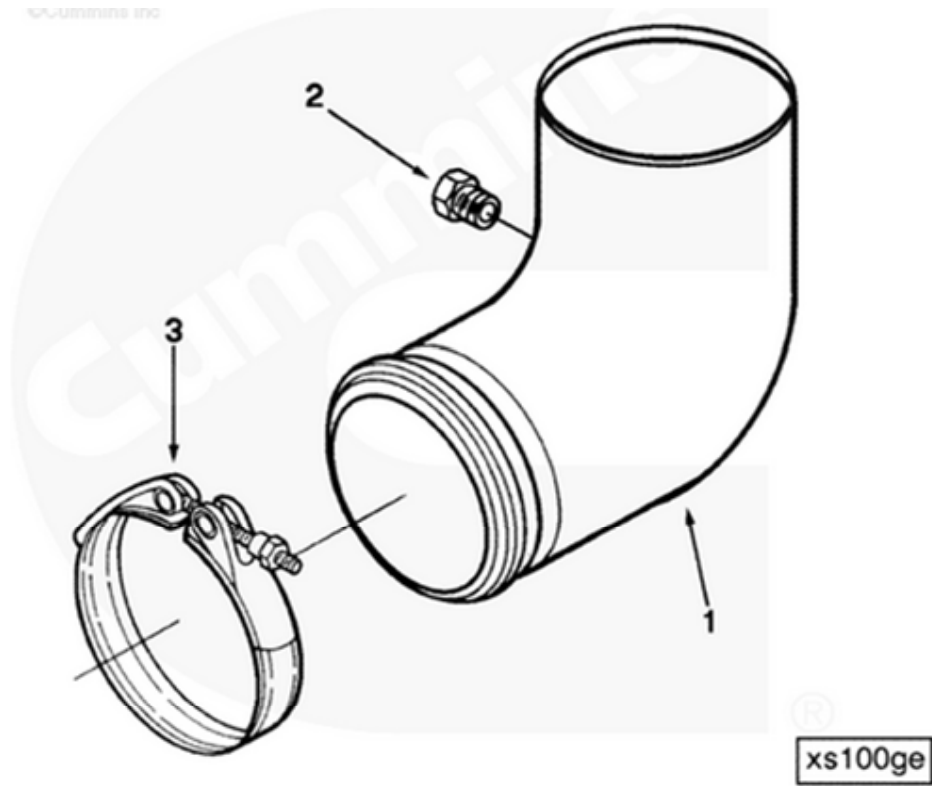
线束
Etr Cnt Mdl Wrg Harness

序号 Item No.	零件代码 Part No	中文名称 Chinese Name	英文名称 English Name	数量 Quantity	单位 Unit	备注 Notes
	299008412	电子控制模块导线线束	Harness, Etr Cnt Mdl Wrg			
1	299016850	线束	Harness, Etr Cnt Mdl Wrg	1		
2	299016851	盖子	Cover, Protective	1		
3	299016852	卡箍	Clip	1		
4	299016853	卡箍	Clip	1		
5	299016854	卡箍	Clip	3		
6	299006121	平垫圈	Washer, Plain	1		M10.
7	299006271	金属丝卡箍	Clamp, Wire Tie	4		
8	299006667	垫圈螺栓	Screw, Captive Washer Cap	1		
9	299006866	双头螺栓	Stud	1		
10	299006938	垫圈螺栓	Screw, Captive Washer Cap	3		M10 X 1.50 X 25.
11	299006988	垫圈螺栓	Screw, Captive Washer Cap	5		M8 X 1.25 X 20.
12	299007182	六角凸缘螺母	Nut, Hexagon Flange	1		M10 X 1.50.
13	299007272	六角凸缘螺母	Nut, Hexagon Flange	2		M6 X 1.00.
	299016855	线束	Harness, Wiring	1		
4	299016853	卡箍	Clip	2		
7	299006271	金属丝卡箍	Clamp, Wire Tie	3		
14	299016857	金属丝卡箍	Clamp, Wire Tie	1		
15	299016858	电子连接件	Connector, Electrical	1		
16	299016859	挡圈	Retainer, Connector Wiring	1		
17	299016860	线束	Harness, Etr Cnt			
18	299016861	管塞	Plug, Cavity	9		
19	299016862	电子连接件	Connector, Electrical	1		
20	299016863	电子连接件	Connector, Electrical	2		

线束
Etr Cnt Mdl Wrg Harness

序号 Item No.	零件代码 Part No	中文名称 Chinese Name	英文名称 English Name	数量 Quantity	单位 Unit	备注 Notes
21	299016864	挡圈	Retainer, Wire Tie Clamp	1		
22	299016865	线束	Cover, Protective	1		
23	299016866	卡箍	Clip	3		
24	299016867	卡箍	Clip	2		
25	299016868	卡箍	Clip	1		
26	299008512	压力传感器	Sensor, Pressure	1		Ambient Air

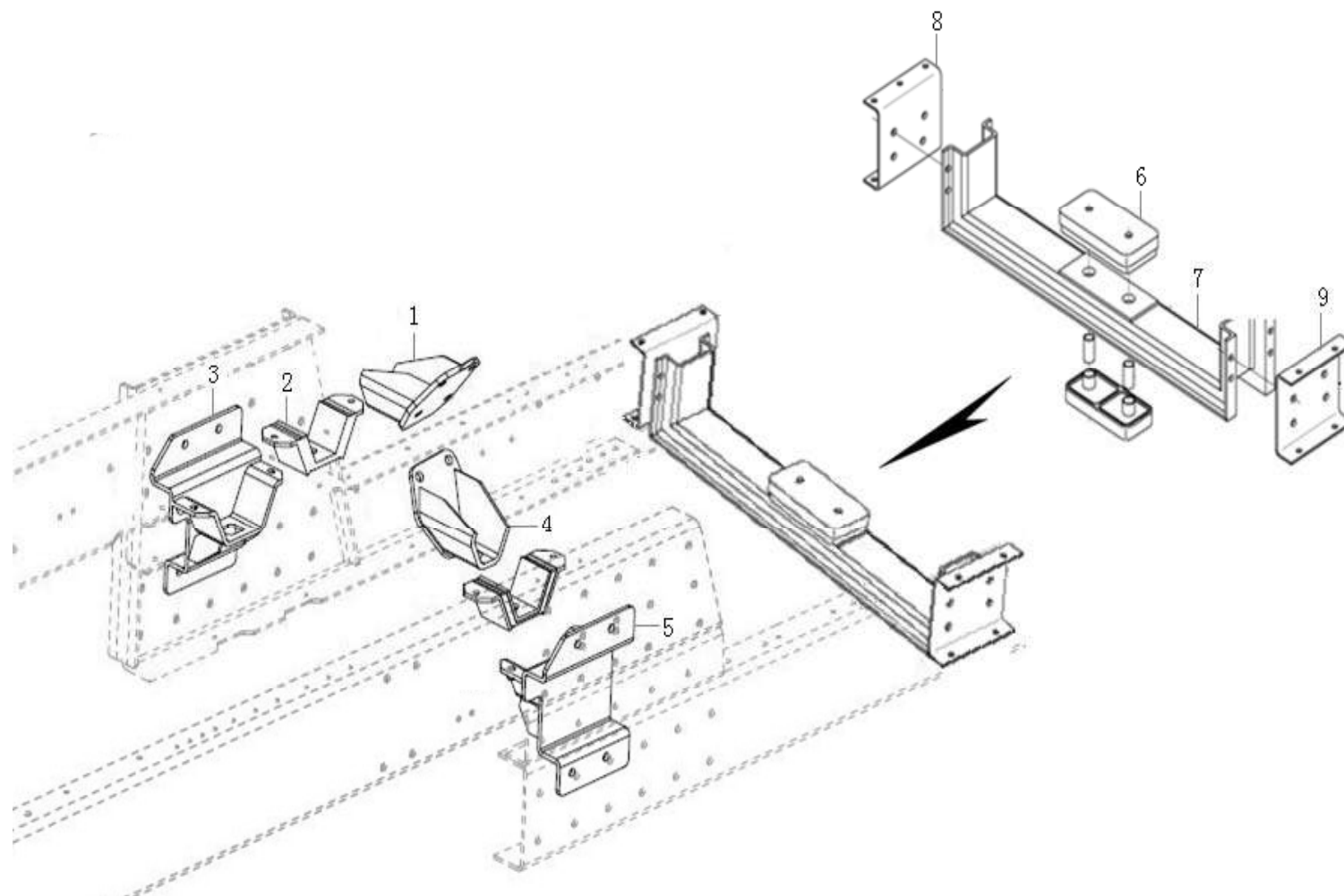
排气出口连接
Exhaust Outlet Connection



排气出口连接
Exhaust Outlet Connection

序号 Item No.	零件代码 Part No	中文名称 Chinese Name	英文名称 English Name	数量 Quantity	单位 Unit	备注 Notes
1	299006032	排气管接头	Connection, Exhaust Outlet	1		
2	299006168	管塞	Plug, Pipe	1		1/8 NPT
3	299006030	V 型带箍	Clamp, V Band	1		

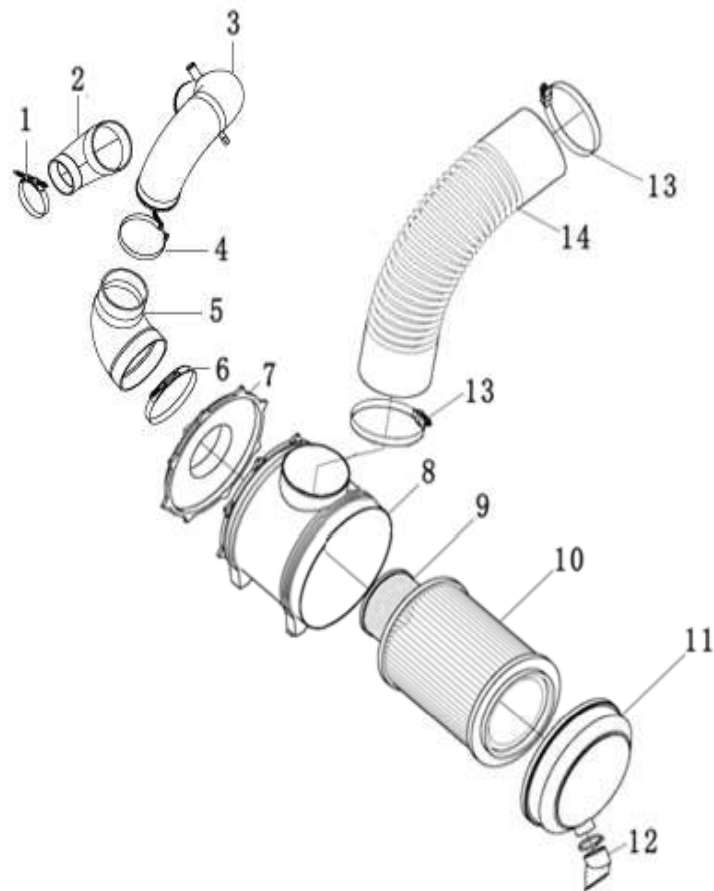
发动机悬置
Engine suspension



发动机悬置
Engine suspension

序号 Item No.	零件代码 Part No	中文名称 Chinese Name	英文名称 English Name	数量 Quantity	单位 Unit	备注 Notes
1	310603430	后悬置缸体右支架	Right bracket, rear cylinder block	1		
2	320200050	软垫-发动机后悬置	Cushion, rear suspension	2		
3	310701370	后悬置右下支架	Right lower bracket, rear cylinder block	1		
4	310603440	后悬置缸体左支架	Left bracket, rear cylinder block	1		
5	310701380	后悬置左下支架	Left lower bracket, rear cylinder block	1		
6	320100120	发动机前悬置软垫	Cushion, front suspension	1		
7	310500390	下托架-发动机前悬置	support bracket - LWR	1		
8	310401030	右连接板-发动机前悬置	Right connection plate	1		
9	310401020	左连接板-发动机前悬置	Left connection plate	1		

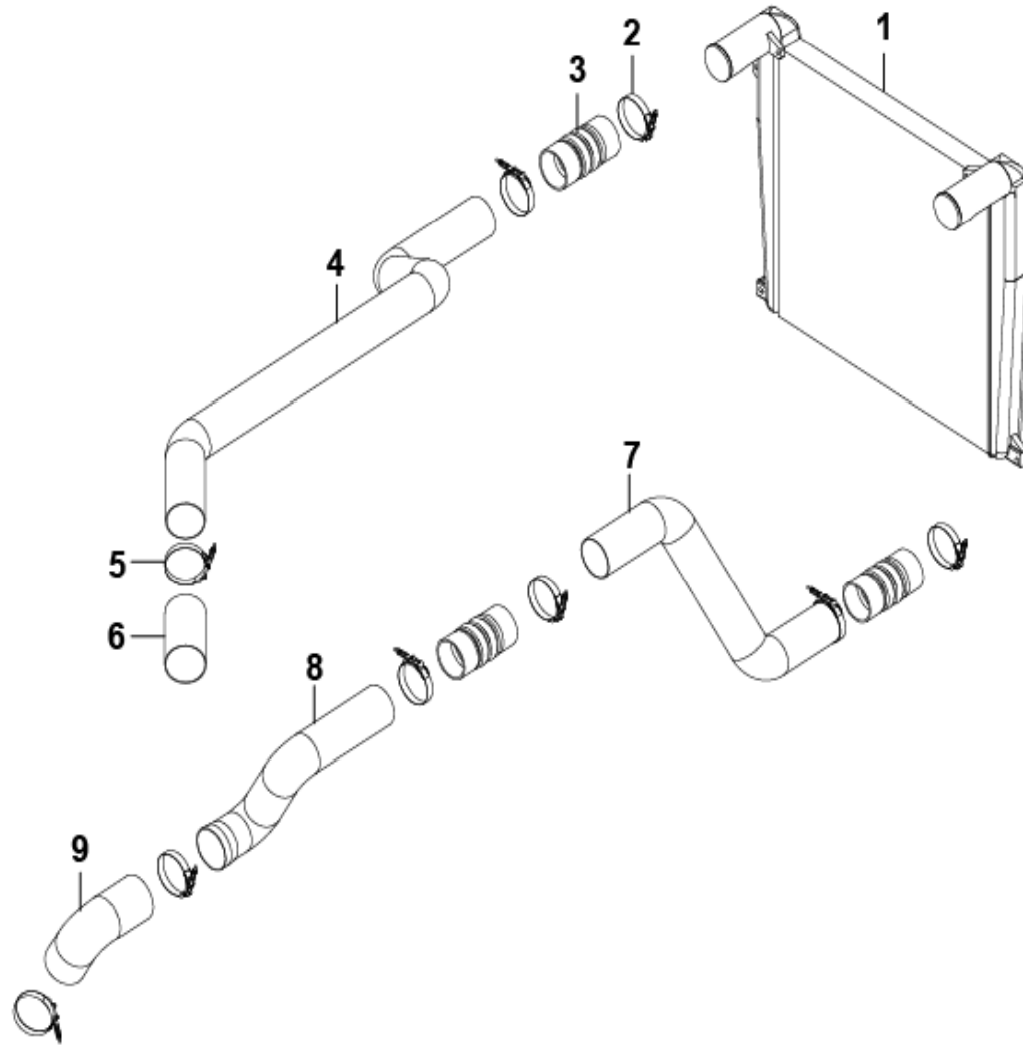
进气系统
Air intake system



进气系统
Air intake system

序号 Item No.	零件代码 Part No	中文名称 Chinese Name	英文名称 English Name	数量 Quantity	单位 Unit	备注 Notes
1	567711000	T型不锈钢卡箍-D110	Clip, stainless steel	1		
2	360200040	进气胶管	Rubber pipe, compressor air intake	1		
3	370202720	进气钢管	Steel pipe, turbocharger air intake	1		
4	567714000	T型不锈钢卡箍-D140	Clip, stainless steel	2		
5	360200200	进气胶管	Rubber pipe, air filter exhaust	1		
6	567719000	T型不锈钢卡箍-D190	Clip, stainless steel	1		
	211500027	空滤器总成	Air filter assy	1		
7	211000055	空滤器排气端盖	End cover, air filter exhaust	1		
8	211000054	空滤器主壳体	Main housing, air filter	1		
9	211000004	安全滤芯	Safety core, air filter	1		
10	211000005	主滤芯	Main core, air filter	1		
11	211000037	空滤器底座	Base, air filter	1		
12	211000023	空滤器排尘阀	Dust exhaust valve, air filter	1		
13	567523000	软管环箍-夹紧范围210-230	Hose ring band	2		
14	417170001	波纹管-进气	Bellows, air filter intake	1		

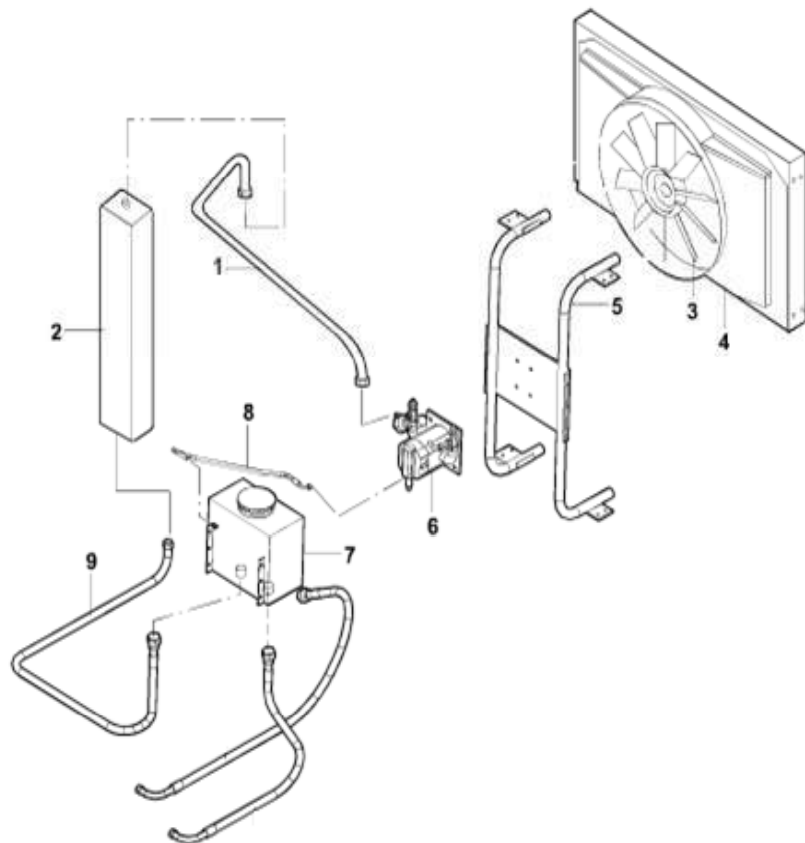
中冷器
Intercooler



中冷器
Intercooler

序号 Item No.	零件代码 Part No	中文名称 Chinese Name	英文名称 English Name	数量 Quantity	单位 Unit	备注 Notes
1	211600270	中冷器总成	Radiator assy	1		
2	567710000	T型不锈钢卡箍-D100	Clip, stainless steel	6		
3	360300310	胶管-中冷	Rubber pipe	4		
4	370349440	钢管, D66, 120° 空间管	Steel pipe	1		
5	567711000	T型不锈钢卡箍-D110	Clip, stainless steel	4		
6	360300470	胶管-中冷	Rubber pipe	1		
7	370304450	钢管-中冷, D89, Z型管	Steel pipe	1		
8	370349430	钢管, D90, L型管	Steel pipe	1		
9	360300040	胶管-中冷	Rubber pipe	1		

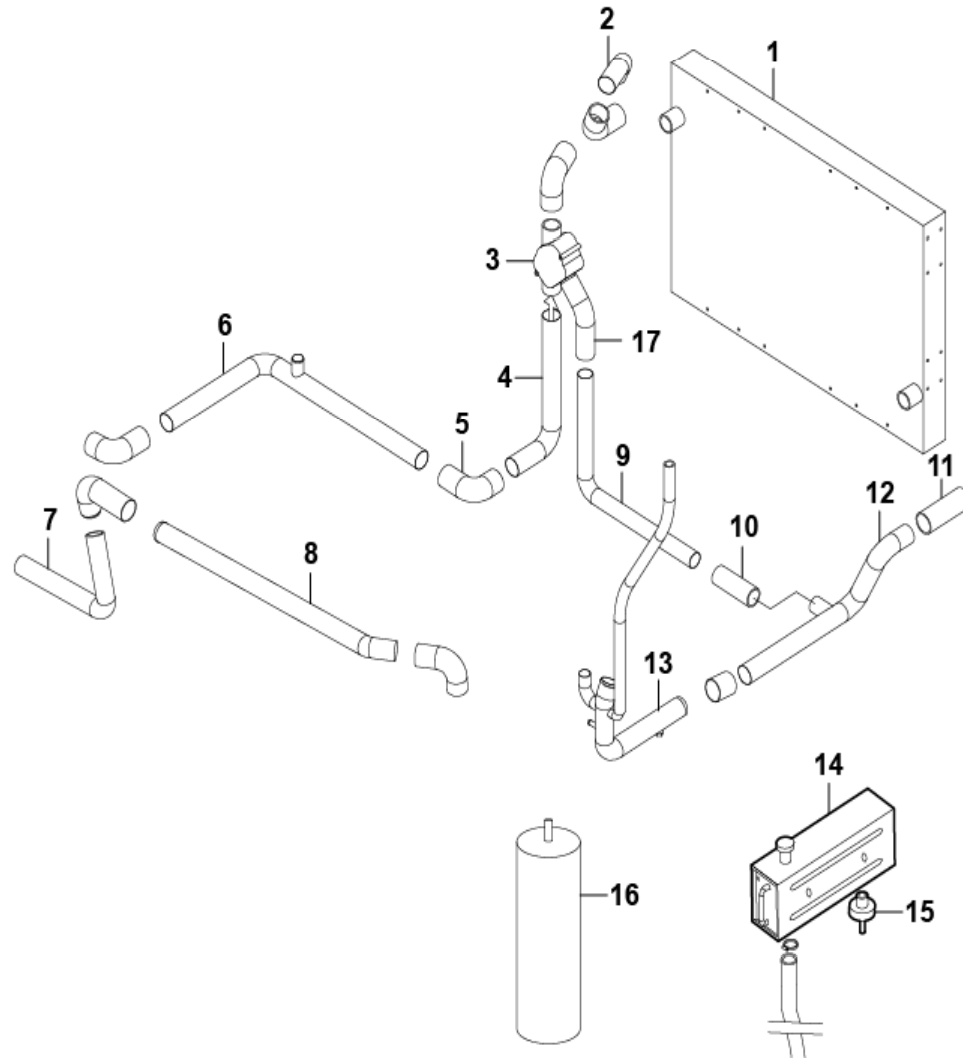
冷却系统
Cooling system



冷却系统
Cooling system

序号 Item No.	零件代码 Part No	中文名称 Chinese Name	英文名称 English Name	数量 Quantity	单位 Unit	备注 Notes
1	360700270	胶管总成-马达到油冷器	rubber tube	1		
2	213800400	液压油泵	hydraulic oil pump	1		
3	213300430	风扇总成	Fan	1		
4	213400490	护风罩总成	Fan housing	1		
5	312137740	液压风扇支架总成	Support	1		
6	213800240	液压马达	Hydraulic motor	1		
7	213800030	液压油箱总成	Fuel tank	1		
8	360700310	胶管总成-马达泄油口到油箱	rubber tube	1		
9	360700270	胶管总成-油冷器到油箱	rubber tube	1		

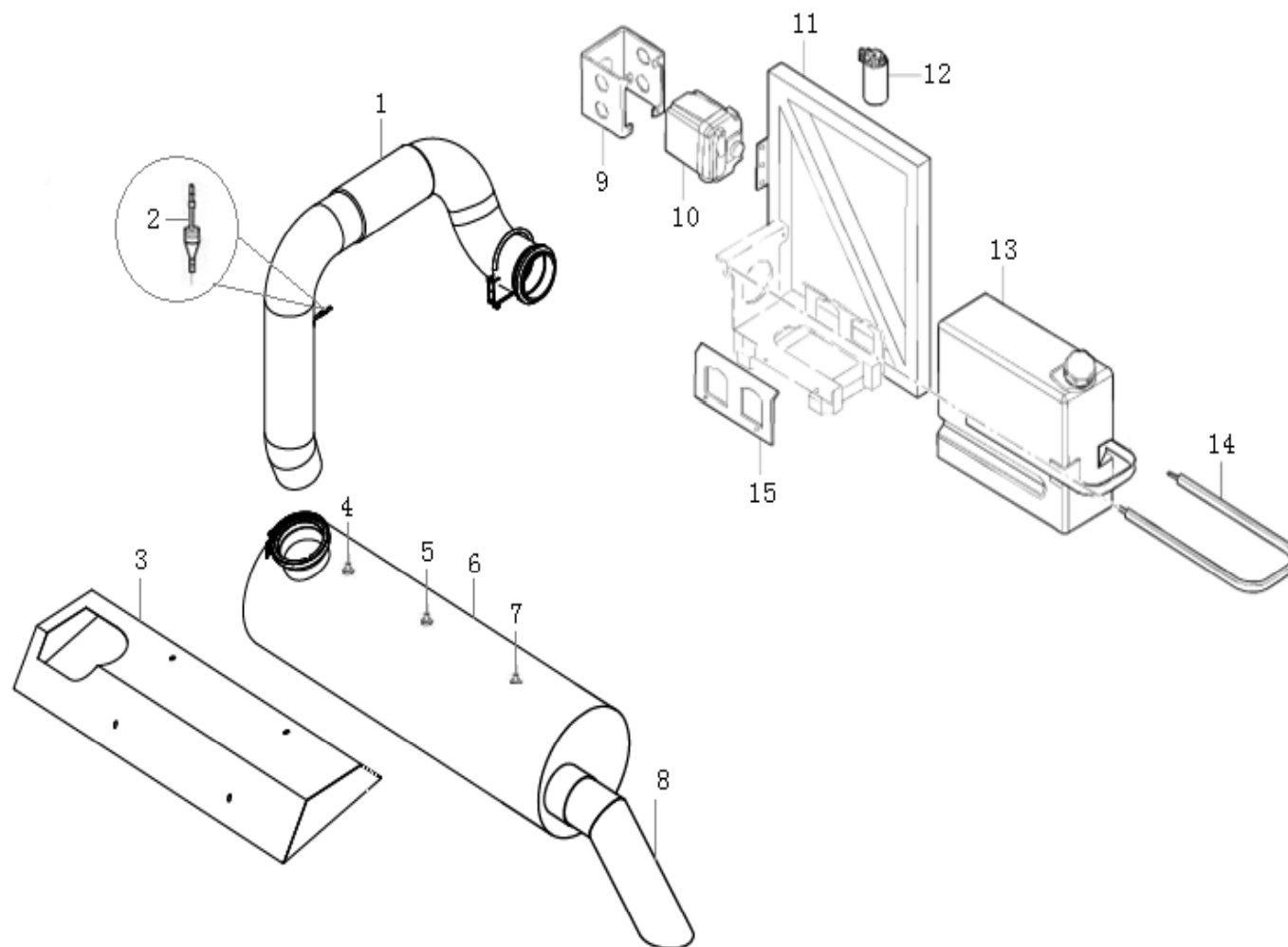
冷却水管
Cooling water pipe



冷却水管
Cooling water pipe

序号 Item No.	零件代码 Part No	中文名称 Chinese Name	英文名称 English Name	数量 Quantity	单位 Unit	备注 Notes
1	213100070	散热器总成, 60. 18	Radiator	1		
2	370500112	钢管-冷却, D60, 90° 管	Steel pipe, intercooler	1		
3	213200007	节温器, 玉环现代, 无	thermostat	1		
4	370500116	钢管-冷却, D60, 90° 管	Steel pipe, intercooler	1		
5	360600210	冷却胶管, 橡胶管EPDM	Silicone pipe	4		
6	370500113	钢管-冷却, D60, 90° 管	Steel pipe, intercooler	1		
7	370500109	钢管-冷却, D60, 90° 管	Steel pipe, intercooler	1		
8	370500108	钢管-冷却, D60, 152° 管	Steel pipe, intercooler	1		
9	370500114	钢管-冷却, D50, 90° 管	Steel pipe, intercooler	1		
10	360600380	冷却胶管, 橡胶管EPDM	Silicone pipe	1		
11	360600030	冷却胶管, 橡胶管EPDM	Silicone pipe	1		
12	370500111	钢管-冷却, D60, Z型管	Steel pipe, intercooler	1		
13	370500115	钢管总成-冷却, D60, 空间管	Steel pipe, intercooler	1		
14	213500140	膨胀水箱总成, 方形, 18L	Expansion water tank	1		
15	213200030	除气单向阀	One-way valve	2		
16	213500310	气水分离器	Air /water separator	1		
17	360600170	冷却胶管, 橡胶管EPDM	Silicone pipe	1		

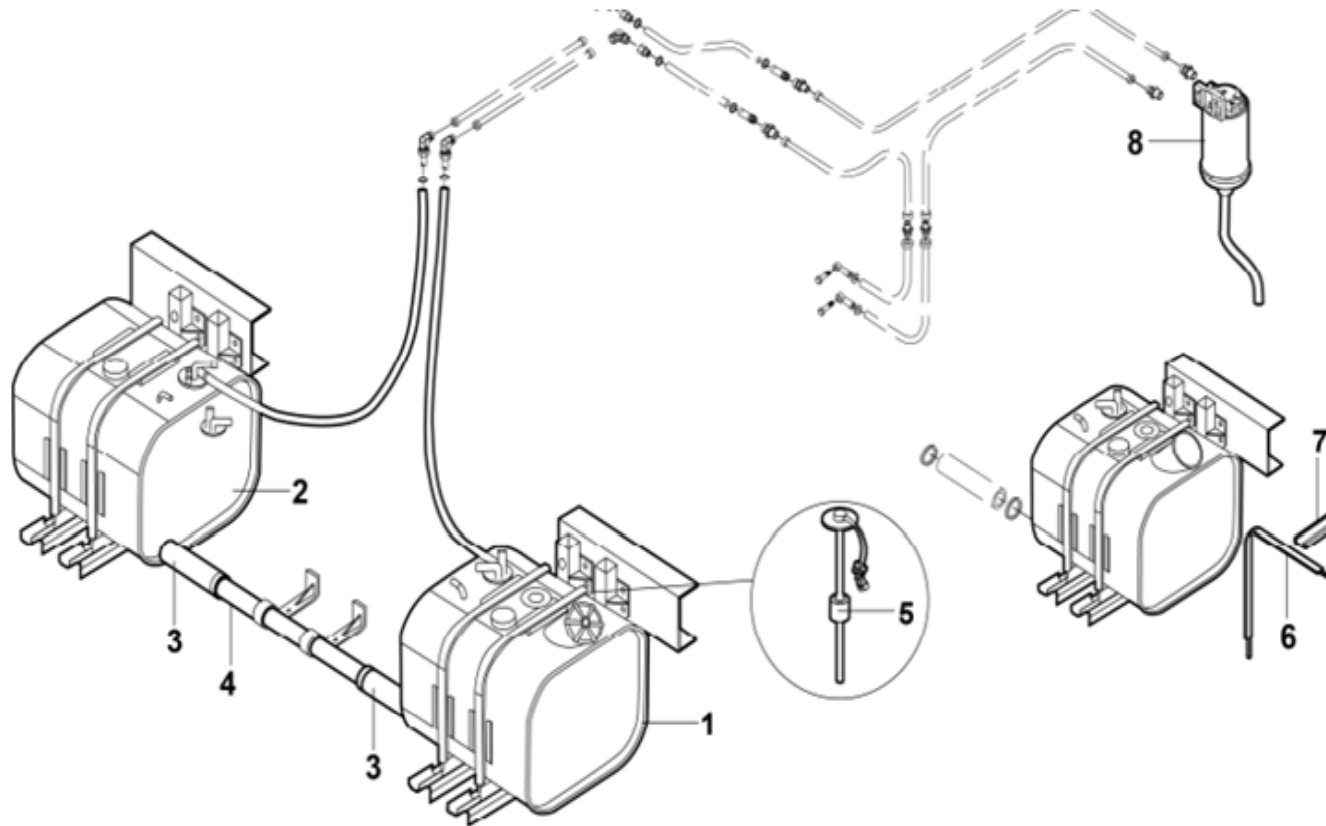
排气系统
Air exhaust pipe



排气系统
Air exhaust pipe

序号 Item No.	零件代码 Part No	中文名称 Chinese Name	英文名称 English Name	数量 Quantity	单位 Unit	备注 Notes
	212400006	后处理系统	Aftertreatment system	1		
1	370404340	排气管总成	Tail pipe assy	1		
2	212200250	尿素喷射器	Injector,carbamide	1		
2	212200160	喷射器座	Injector seat	1		
3	313300980	隔热罩, 消声器总成	Thermal shroud	1		
4	212200140	进口排气温度传感器	temperature sensor	1		
5	212200280	氮氧化物传感器	Sensor,NOx	1		
6	212200019	后处理器	postprocessor	1		
7	212200270	出口排气温度传感器	temperature sensor	1		
8	370404350	排气尾管, 6130Y	Tail pipe assy	1		
10	212200170	尿素喷射计量泵	metering pump	1		
11	311800430	支架-尿素罐, 35塑料	Stand	2		
12	212200180	油气分离器	oil-gas separator	1		
13	212200096	尿素罐总成, 塑料, 35L	Carbamide pot	1		
14	380200170	拉带, 螺纹-螺纹, 1320	drawstring	1		
15	311800070	侧压板-尿素罐, 35塑料罐	Pressing plate	1		

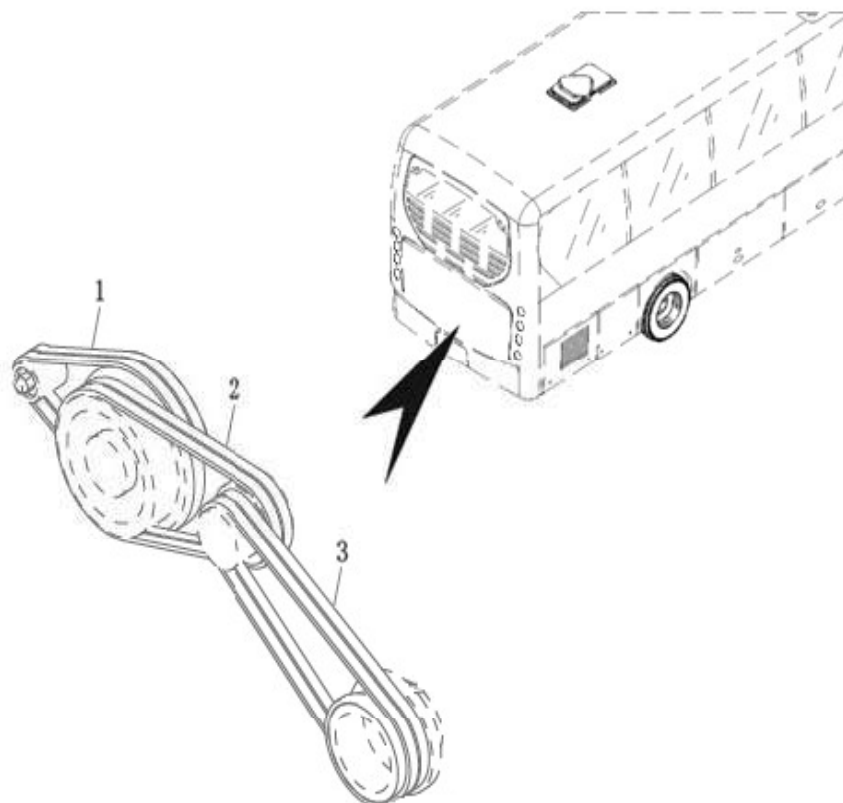
燃油供给系统
Fuel supply system



燃油供给系统
Fuel supply system

序号 Item No.	零件代码 Part No	中文名称 Chinese Name	英文名称 English Name	数量 Quantity	单位 Unit	备注 Notes
1	211100048	主燃油箱, 190L, 750, 480, 610	Fuel tank assy, main	1		
2	211100047	副燃油箱, 255L, 980, 480, 610	Fuel tank assy, assistant	1		
3	360100200	燃油管总成, D60, 230, 胶管	Rubber pipe	2		
4	370100320	燃油管, D60, 直管, 725	Fuel pipe	1		
5	238300420	油量传感器	Fuel sensor	1		
6	380200730	拉带, 螺纹-圆孔, 1150	Drawstring , fuel tank	2		
	380200740	拉带, 螺纹-圆孔, 1220	Drawstring , fuel tank	2		
7	320300040	油箱垫带, 65*400*6.0	Rim strip ,fuel tank	10		
	329900050	油箱垫带, 95*310*6.0	Rim strip ,fuel tank	6		
	329900080	油箱垫带, 43*780*6.0	Rim strip ,fuel tank	8		
8	211200080	燃油滤清器	Fuel filter	1		

皮帶
Belt



皮带
Belt

序号 Item No.	零件代码 Part No	中文名称 Chinese Name	英文名称 English Name	数量 Quantity	单位 Unit	备注 Notes
1	592031030	汽车V带-AV13*1030	Belt	2		
2	592051075	汽车V带-AV15*1075	Belt	2		
3	592051845	汽车V带-AV15*1845	Belt	2		

变速箱 217101750
GEARBOX HOUSING

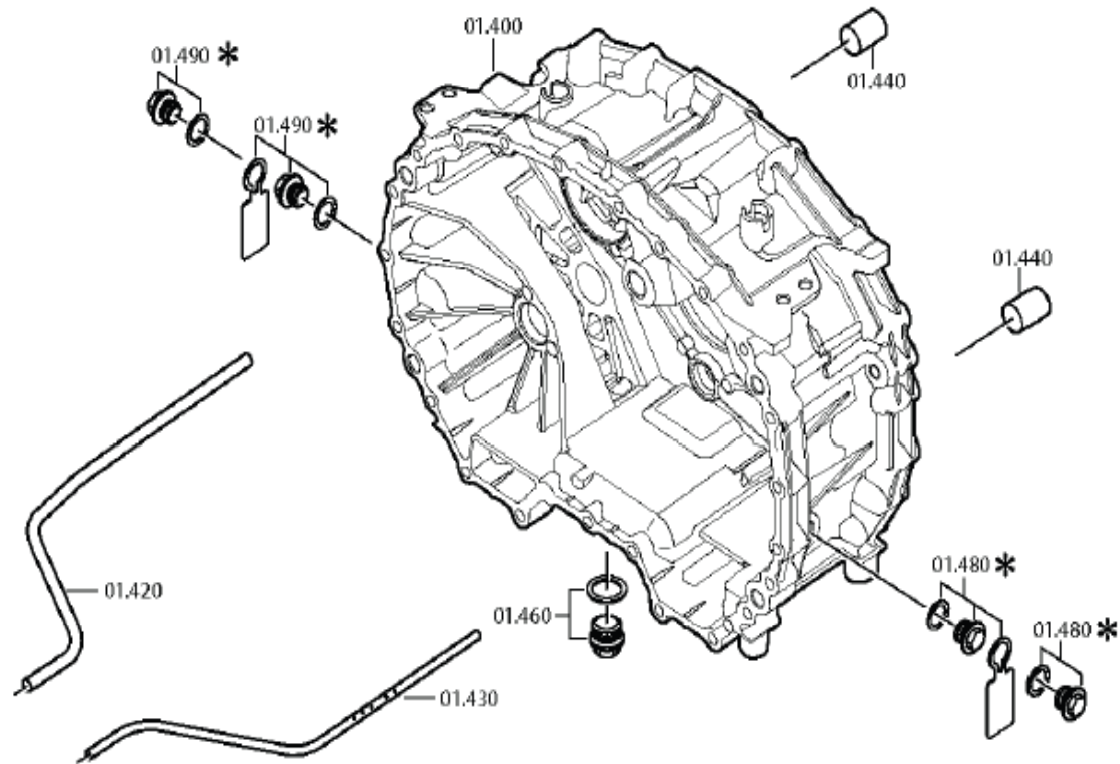




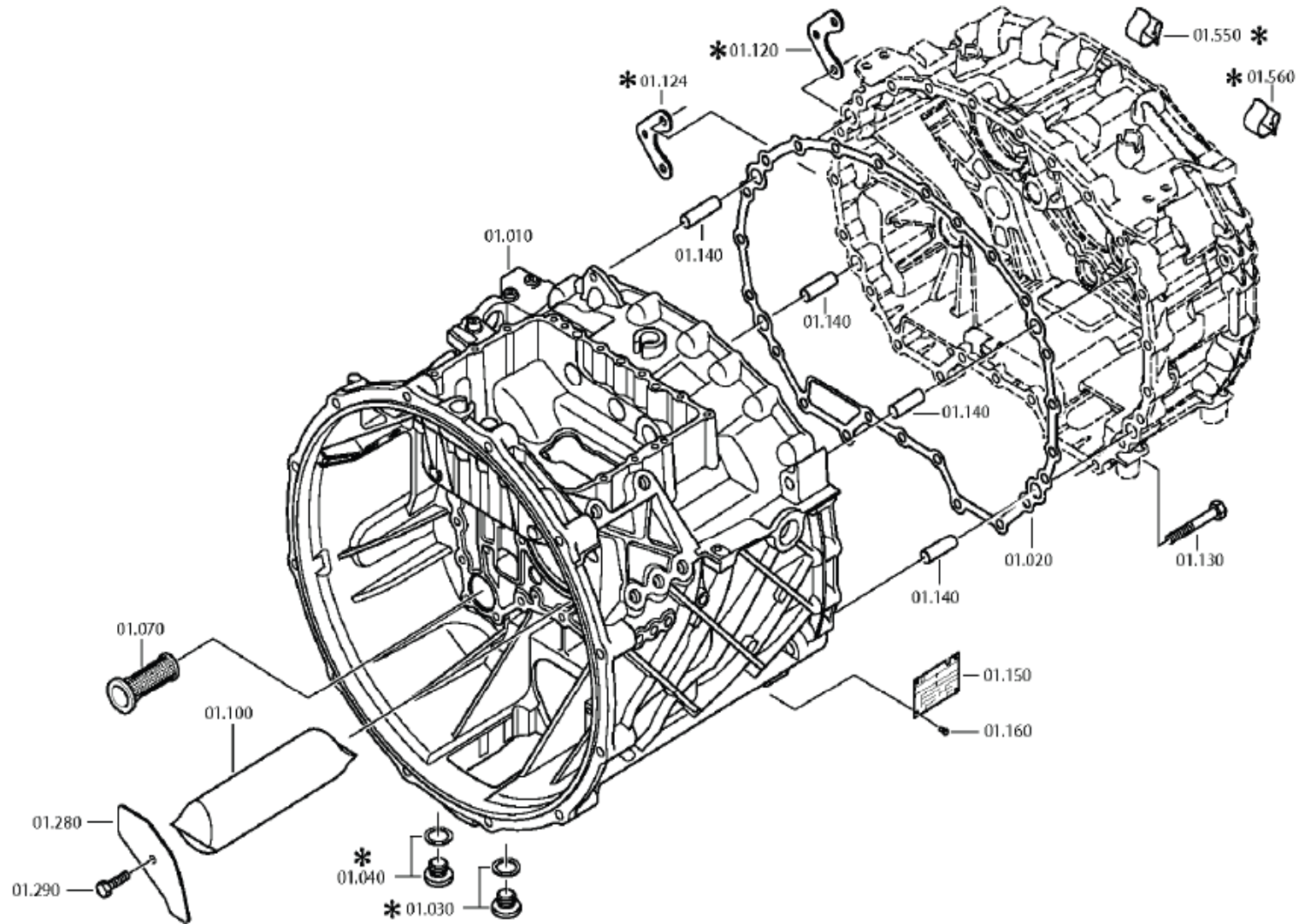
变速箱 217101750
GEARBOX HOUSING

序号 Item No.	零件代码 Part No	中文名称 Chinese Name	英文名称 English Name	数量 Quantity	单位 Unit	备注 Notes
	217101750B	变速器总成 型号: ZF12AS2301B0, 1348090190 速比: 一档速比: 12.32 二档速比: 9.59 三档速比: 7.44 四档速比: 5.78 五档速比: 4.56 六档速比: 3.55 七档速比: 2.70 八档速比: 2.10 九档速比: 1.63 十档速比: 1.27 十一档速比: 1.00 十二档速比: 0.78 倒档速比: 11.41 最大扭矩: 2300N.m 前进档位: 12 机油等级: TE-ML 02	Transmission assy Engine Model: ZF12AS2301B0, 1348090190 Speed ratio: 1ST GEAR 12.32 RATIO, 2TH GEAR 9.59 RATIO, 3TH GEAR 7.44 RATIO, 4TH GEAR 5.78 RATIO, 5TH GEAR 4.56 RATIO, 6TH GEAR 3.55 RATIO, 7TH GEAR 2.70 RATIO, 8TH GEAR 2.10 RATIO, 9TH GEAR 1.63 RATIO, 10TH GEAR 1.27 RATIO, 11TH GEAR 1.00 RATIO, 12TH GEAR 0.78 RATIO, GEAR REVERSE 11.41 Max torque: 2300N.m Forware gear: 12 Oil level: TE-ML 02			

变速箱
GEARBOX HOUSING



变速箱
GEARBOX HOUSING



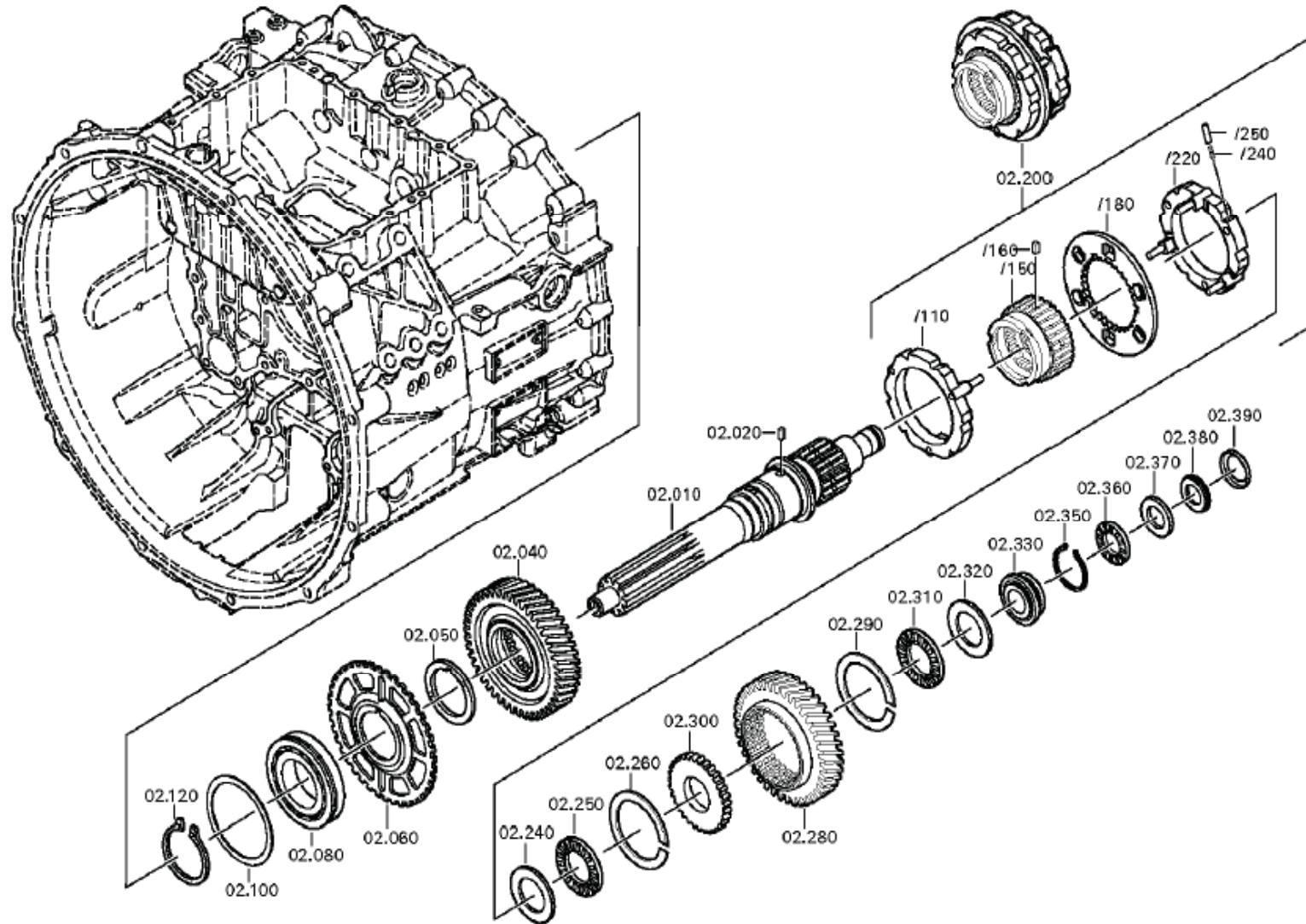
变速箱
GEARBOX HOUSING

序号 Item No.	零件代码 Part No	中文名称 Chinese Name	英文名称 English Name	数量 Quantity	单位 Unit	备注 Notes
10		壳体	HOUSING I	1		GEH. I*10 BOHMM. GEW. EI
	217006940	壳体	HOUSING	1		
	217008495	壳体	HOUSING	1		
20	217003081	垫圈	GASKET	1		
30		螺塞	SCREW PLUG	1		50N. M*DICHTRINGM22X1,
	217005197	螺塞	SCREW PLUG	1		M22X1, 5
	217004908	密封环	SEALING RING	1		A22X27
40		螺塞	SCREW PLUG	1		50N. M*DICHTRINGM22X1,
	217005197	螺塞	SCREW PLUG	1		M22X1, 5
	217004908	密封环	SEALING RING	1		A22X27
70	217004901	屏幕插入	SCREEN INSERT	1		
100	217003040	呼吸器	BREATHER	1		
130	217005005	六角头螺栓	HEXAGON BOLT	24		M10X60
140	217003072	圆柱销	CYLINDRICAL PIN	4		
150	217005840	铭牌	TYPE PLATE	1		EINHEITSSCH. VERDREHSI
160	217004994	盲铆钉	BLIND RIVET	4		
280	217006941	盖子	COVER	1		
290	217003576	六角头螺栓	HEXAGON BOLT	1		M8X25
400		壳体	HOUSING	1		
	217003128	壳体	HOUSING	1		GEHAEUSE KURZ
	217003129	壳体	HOUSING	1		GEHAEUSE II KURZ +GF+
420	217003306	喷淋管	SPRAY TUBE	1		ASTRONIC 2
430	217003307	喷淋管	SPRAY TUBE	1		ASTRONIC 2
440	217003159	销	PIN	1		

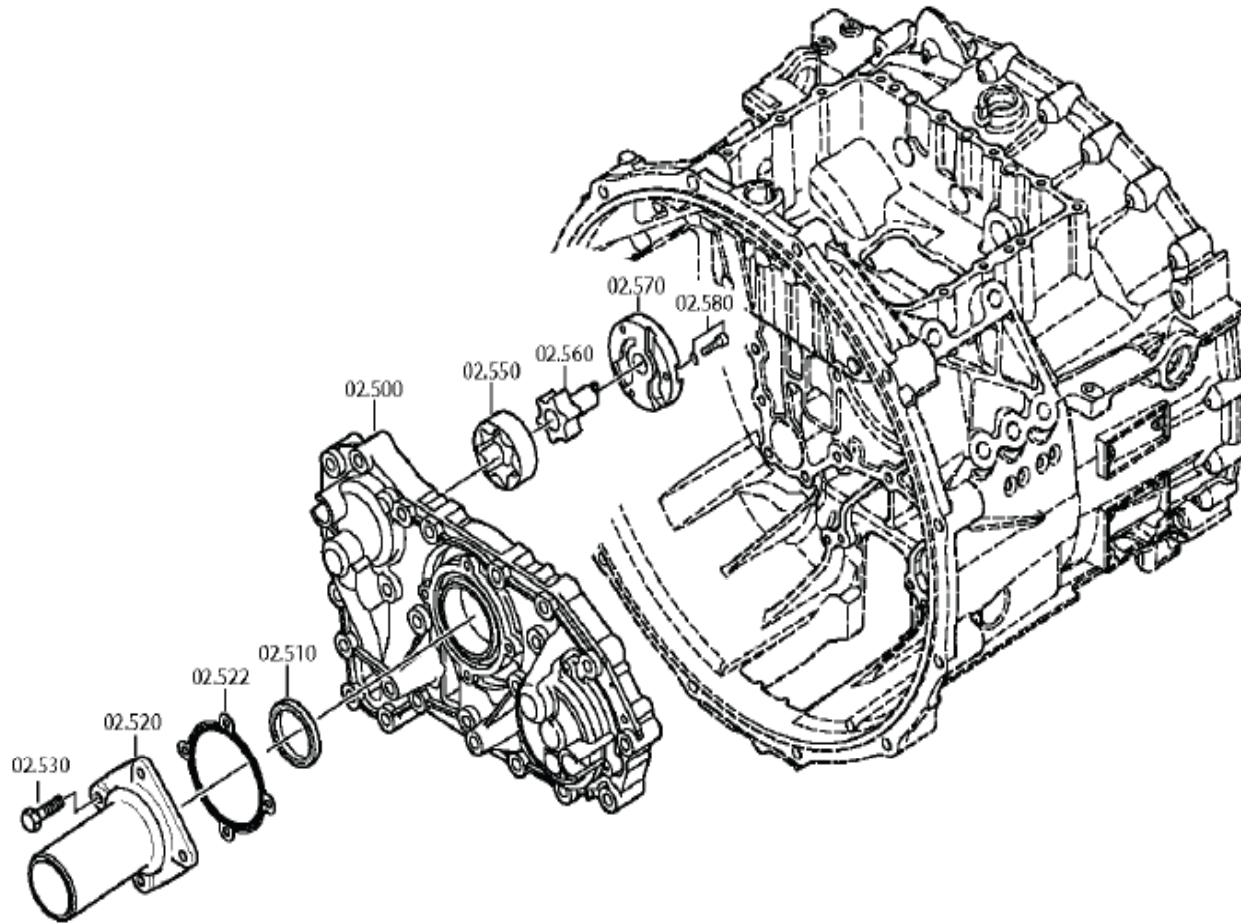
变速箱
GEARBOX HOUSING

序号 Item No.	零件代码 Part No	中文名称 Chinese Name	英文名称 English Name	数量 Quantity	单位 Unit	备注 Notes
460	#N/A	螺塞	SCREW PLUG	1		60N. M*0-RING MIT GLEI
	217005168	螺塞	SCREW PLUG	1		M24X1, 5 M24X1, 5
	217003156	O型密封圈	O-RING	1		21X2
480		螺塞	SCREW PLUG	1		60N. M*0-RING MIT GLEI
	217005025	螺塞	SCREW PLUG	1		M24X1, 5
	217003156	O型密封圈	O-RING	1		21X2
490		螺塞	SCREW PLUG	1		60N. M*0-RING MIT GLEI
	217005025	螺塞	SCREW PLUG	1		M24X1, 5
	217003156	O型密封圈	O-RING	1		21X2

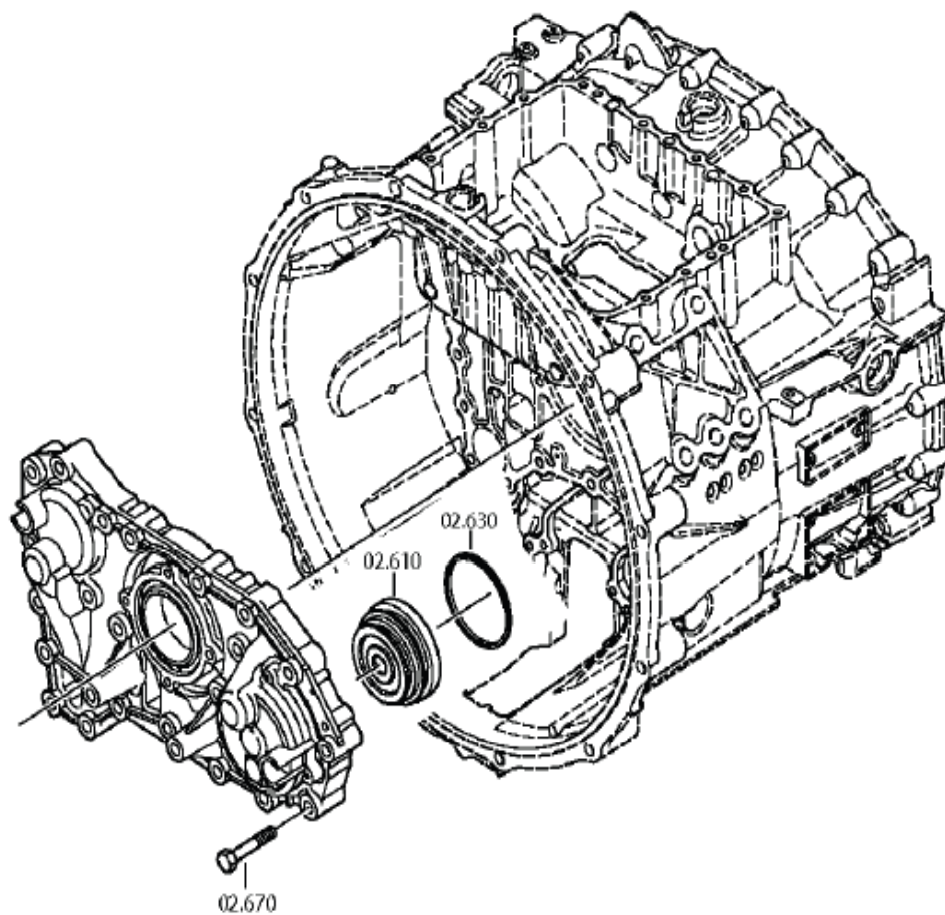
输入轴 INPUT SHAFT



输入轴
INPUT SHAFT



输入轴
INPUT SHAFT



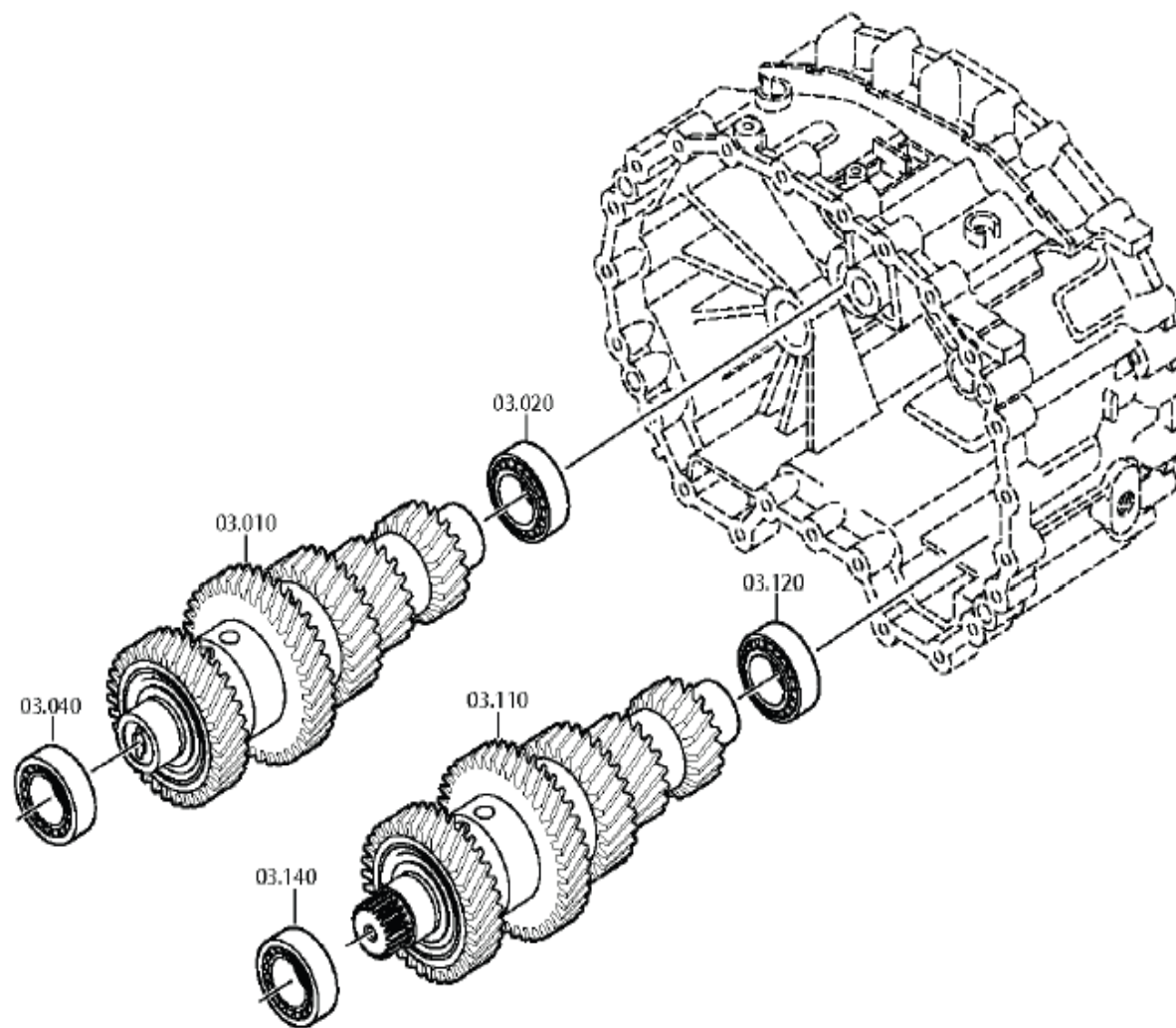
输入轴
INPUT SHAFT

序号 Item No.	零件代码 Part No	中文名称 Chinese Name	英文名称 English Name	数量 Quantity	单位 Unit	备注 Notes
10	217007064	输入轴	INPUT SHAFT	1		C01000287B10
20	217003160	销	PIN	1		
40	217008496	斜齿轮	HELICAL GEAR	1		Z00015393510
50	217003318	止推垫圈	THRUST WASHER	1		
60	217003066	计数光盘	COUNTING DISC	1		
80	217003030	滚珠轴承	BALL BEARING	1		C01000287B10
100	217003227	垫片	SHIM	1		
120	217003188	挡圈	RETAINING RING	1		C01003290B10
200	217003311	协调器	SYNCHRONIZER	1		Z00006834610
/110	217003313	同步环	SYNCHRORING	1		Z00006834611
/150	217003093	滑动啮合套	GEAR SHIFT SLEEVE	1		Z00006834611
/160	217003160	销	PIN	1		Z00006834611
/180	217003170	板块	PLATE	1		Z00006834611
/220	217003314	同步环	SYNCHRORING	1		Z00006834611
/240	217004701	弹簧	COMPRSPRING	3		Z00006834611
/250	217003075	滚轴	CYLROLLER	3		Z00006834611
240	217003325	垫圈	WASHER	1		
250	217003028	滚针轴承	AXNEEDLE CAGE	1		
260	217003293	开口环	SNAP RING	1		C01000695D10
280	217003107	斜齿轮	HELICAL GEAR	1		C01008756A10
290	217003293	开口环	SNAP RING	1		C01000881E10
300	217003035	止推轴承盘	BEARING DISK	1		
310	217003028	滚针轴承	AXNEEDLE CAGE	1		
320	217003325	垫圈	WASHER	1		

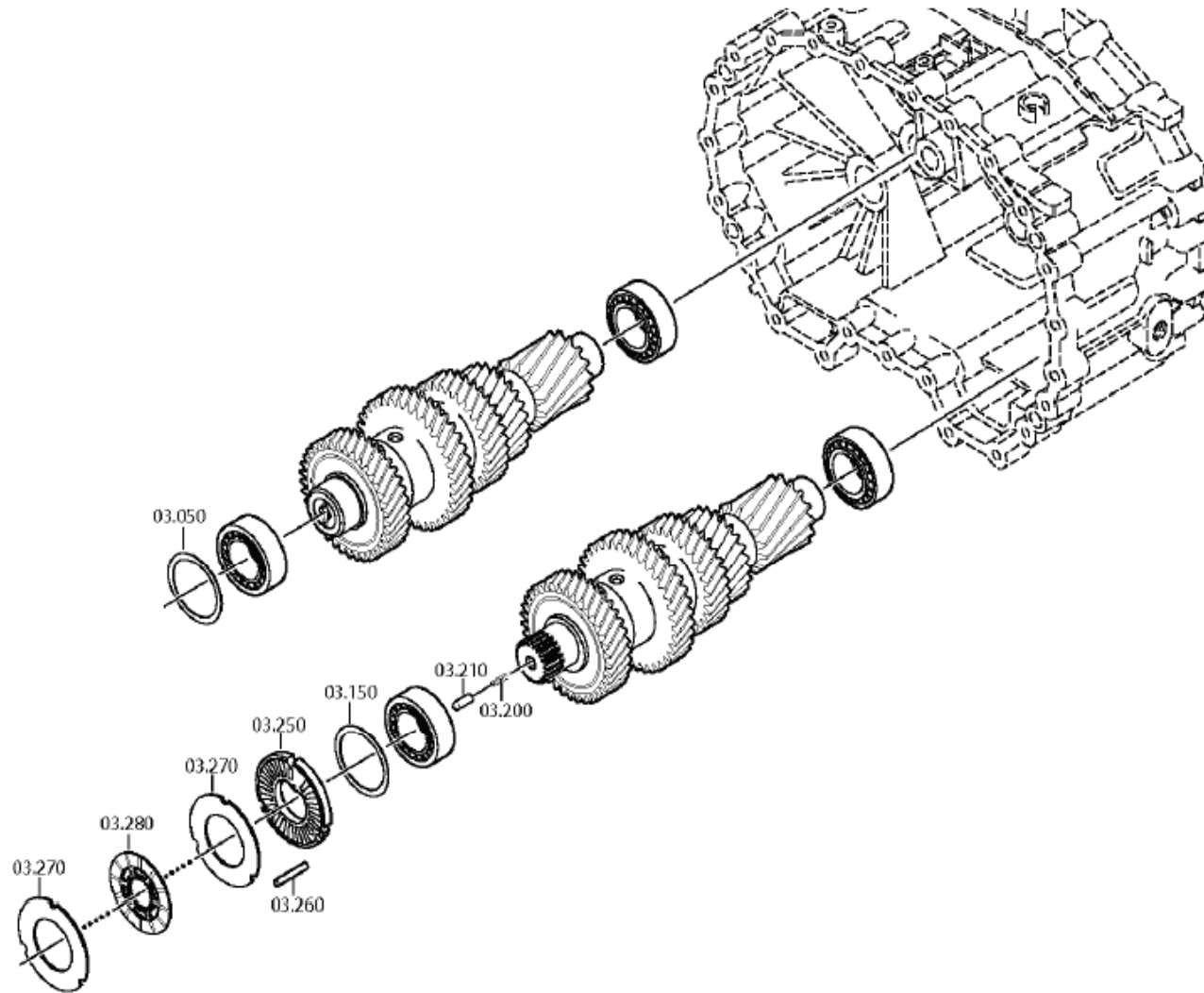
输入轴
INPUT SHAFT

序号 Item No.	零件代码 Part No	中文名称 Chinese Name	英文名称 English Name	数量 Quantity	单位 Unit	备注 Notes
330	217003036	轴承套圈	BEARING RING	1		C01007933A10
350	217003204	挡圈	RETAINING RING	1		
360	217003029	滚针轴承	AXROLLER CAGE	1		
370	217003326	垫圈	WASHER	1		
380	217003305	开口环	SPLIT RING	1		C01003205D10
390	217003205	挡圈	RETAINING RING	1		
500	217003064	连接板	CONNPLATE	1		
510		轴密封	SHAFT SEAL	1		
	217003226	轴密封	SHAFT SEAL	1		Z00004478710
520	217007065	法兰	RELEASE FLANGE	1		Z00015386810
522	217003082	垫圈	GASKET	1		C01004201E10
530	217003576	六角头螺栓	HEXAGON BOLT	4		
550	217003213	转子	ROTOR	1		
560	217003181	泵轴	PUMP SHAFT	1		
570	217003180	泵盖	PUMP COVER	1		
580	217003319	梅花头螺丝	TORX SCREW	3		
610	217003162	活塞	PISTON	1		
630	217006946	U形环	U-RING	1		Z00008973110
670	217006947	六角头螺栓	HEXAGON BOLT	22		Z00009177410

中间轴
LAYSHAFT



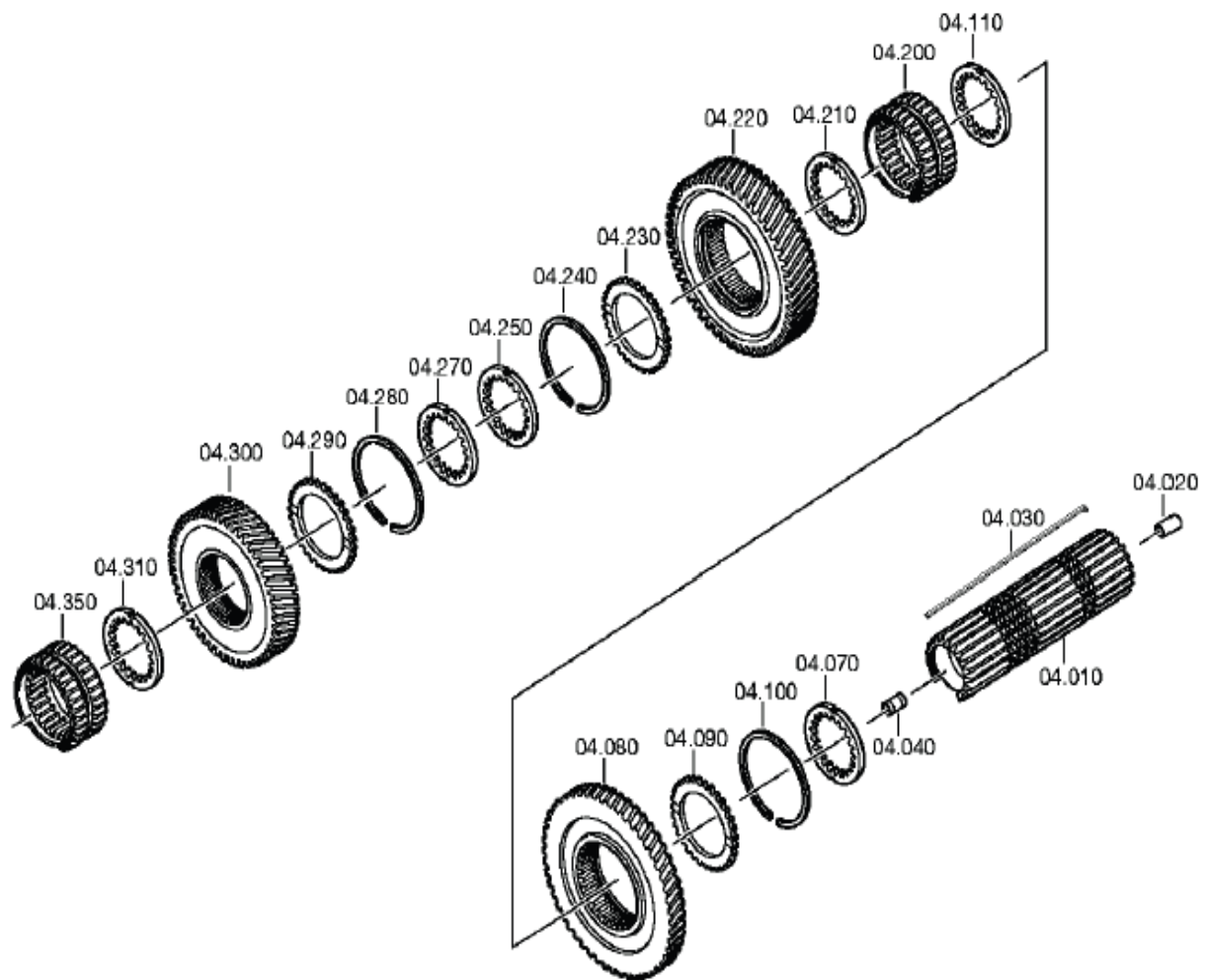
中间轴
LAYSHAFT



中间轴
LAYSHAFT

序号 Item No.	零件代码 Part No	中文名称 Chinese Name	英文名称 English Name	数量 Quantity	单位 Unit	备注 Notes
10		副轴	LAYSHAFT	1		PUMPE*OD
	217008497	副轴	LAYSHAFT	1		KPL. PUMPE, K1 ODWAEI
	217003141	副轴	LAYSHAFT	1		KPL. PUMPE *K1GESCHLIF
20	0634100063	O型密封圈	O-RING	1		84X3
20	217008498	滚动轴承	TAROLLBEARING	1		50, 0X90, 0X28, 0
20	217003316	滚动轴承	TAROLLBEARING	1		50, 0X90, 0X28, 0
40	0634100063	O型密封圈	O-RING	1		84X3
40	217008498	滚动轴承	TAROLLBEARING	1		50, 0X90, 0X28, 0
40	217003316	滚动轴承	TAROLLBEARING	1		50, 0X90, 0X28, 0
50	217003240	垫片	SHIM	1		A=2, 80 IN 0730 005413
110		副轴	LAYSHAFT	1		BREMSE*OD
	217008499	副轴	LAYSHAFT	1		KPL. BREMSE, K1 ODWAE
	217003143	副轴	LAYSHAFT	1		KPL. BREMSE *K1GESCHLI
120	217003316	滚动轴承	TAROLLBEARING	1		50, 0X90, 0X28, 0
140	217003316	滚动轴承	TAROLLBEARING	1		50, 0X90, 0X28, 0
150	217003240	垫片	SHIM	1		A=2, 80 IN 0730 005413
200	217003057	弹簧	COMPRSPRING	1		ASTRONIC 2 HG/GV/GP
210	217003077	定位销	DETENT PIN	1		
250	217003039	制动器罩	BRAKE COVER	1		
260	217003073	筒形销	CYLINDRICAL PIN	3		8X50
270	217003149	离合器盘	OCLUTCH DISC	4		ENTHALT. IN 1314 30307
280	217003131	传动装置	ICLUTCH DISC	2		KPL. HC100. 3, DM100

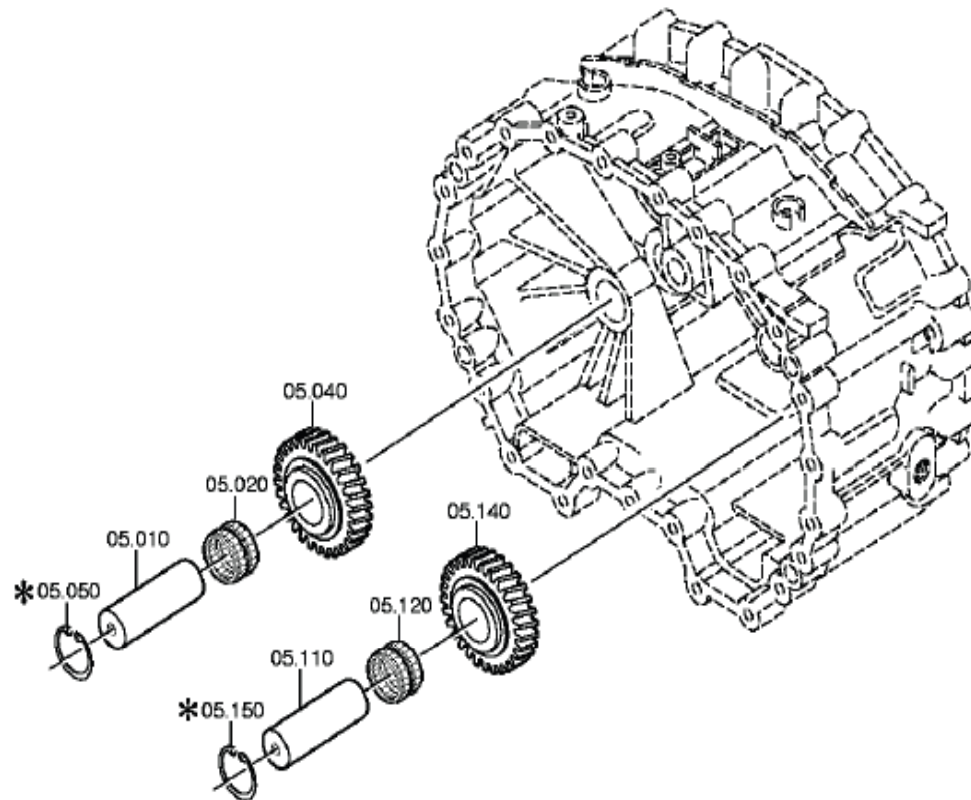
主轴
MAIN SHAFT



主轴
MAIN SHAFT

序号 Item No.	零件代码 Part No	中文名称 Chinese Name	英文名称 English Name	数量 Quantity	单位 Unit	备注 Notes
10	217003147	主轴	MAIN SHAFT	1		
20	217003152	挡油圈	OIL TUBE	1		
30	217003333	楔形体	WEDGE	1		
40	217003153	挡油圈	OIL TUBE	1		
70	217003327	垫圈	WASHER	1		A=7, 00
80	217008500	斜齿轮	HELICAL GEAR	1		RG
90	217003328	垫圈	WASHER	1		ENTHALT. IN 1314 30409
100	217003293	开口环	SNAP RING	1		A=2, 50
110	217003327	垫圈	WASHER	1		A=7, 00
200	217003290	滑动套筒	SLIDING SLEEVE	1		
210	217003327	垫圈	WASHER	1		A=7, 00
220	217003109	斜齿轮	HELICAL GEAR	1		1G
230	217003328	垫圈	WASHER	1		ENTHALT. IN 1314 30409
240	217003293	开口环	SNAP RING	1		
250	217003327	垫圈	WASHER	1		A=2, 50
270	217003327	垫圈	WASHER	1		A=7, 00
280	217003293	开口环	SNAP RING	1		A=2, 50
290	217003328	垫圈	WASHER	1		ENTHALT. IN 1314 30409
300		斜齿轮	HELICAL GEAR	1		
	217003110	斜齿轮	HELICAL GEAR	1		2G
	217003111	斜齿轮	HELICAL GEAR	1		2G IN 1327 304 021(1)
310	217003327	垫圈	WASHER	1		IN 1327 304 021(1)
350	217003290	滑动套筒	SLIDING SLEEVE	1		

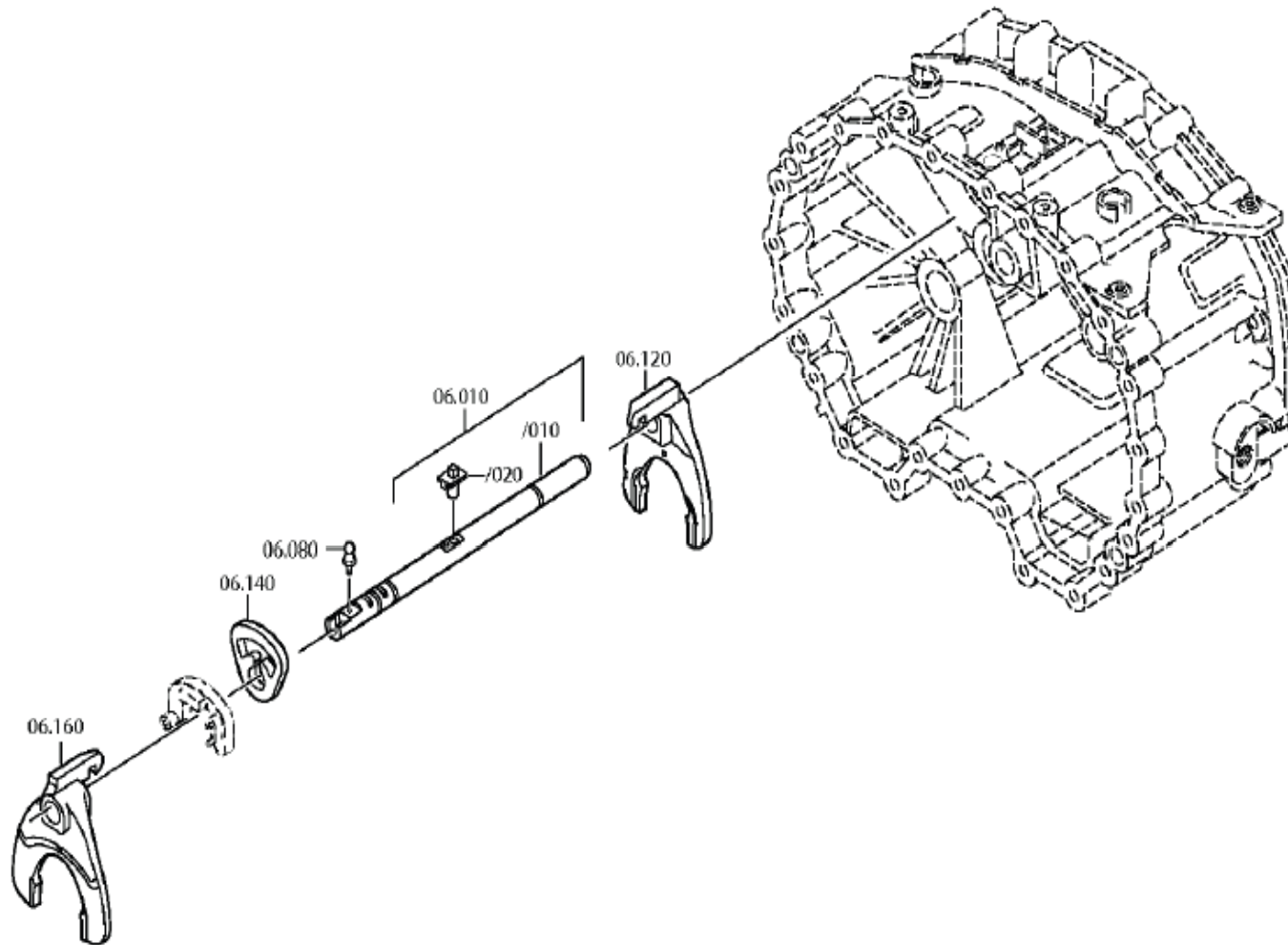
倒档轴
RETURN



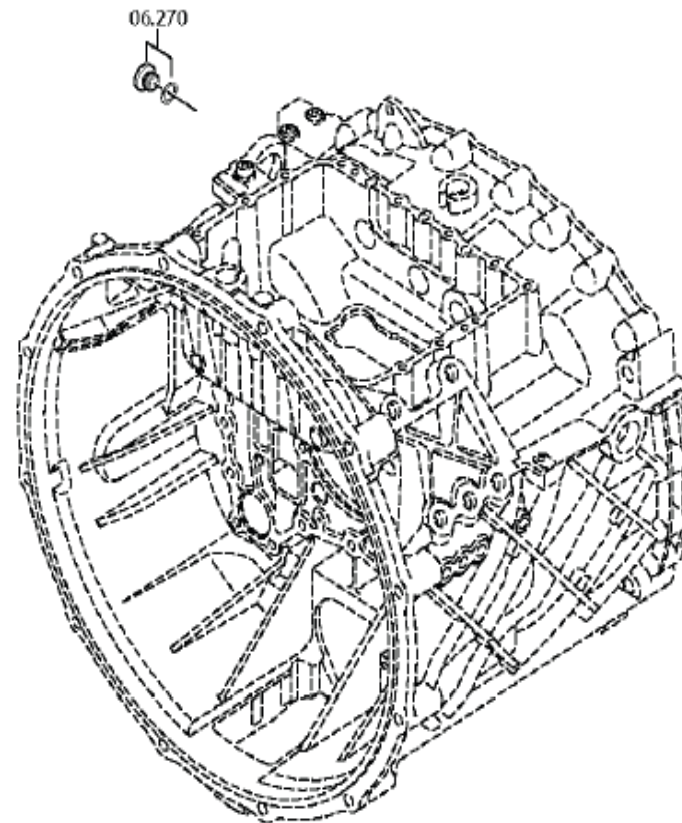
倒档轴
RETURN

序号 Item No.	零件代码 Part No	中文名称 Chinese Name	英文名称 English Name	数量 Quantity	单位 Unit	备注 Notes
10	217003209	倒档中间齿轮轴	REVERSE IDLER SHAFT	1		
20	217003148	滚针罩	NEEDLE CAGE	1		40, 0X48, 0X40, 0
40	217008501	斜齿轮	HELICAL GEAR	1		RG
110	217003209	倒档中间齿轮轴	REVERSE IDLER SHAFT	1		
120	217003148	滚针罩	NEEDLE CAGE	1		40, 0X48, 0X40, 0
140	217008501	斜齿轮	HELICAL GEAR	1		RG

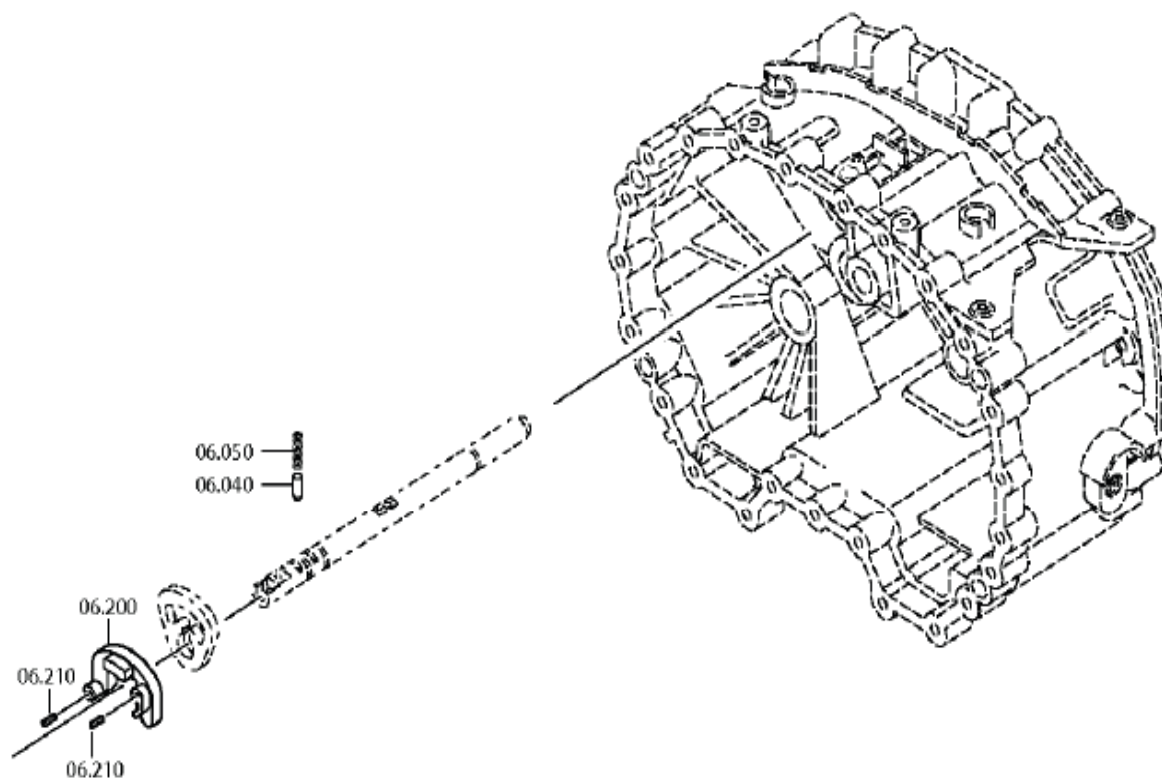
换挡系统
GEAR SHIFT SYSTEM



换挡系统
GEAR SHIFT SYSTEM



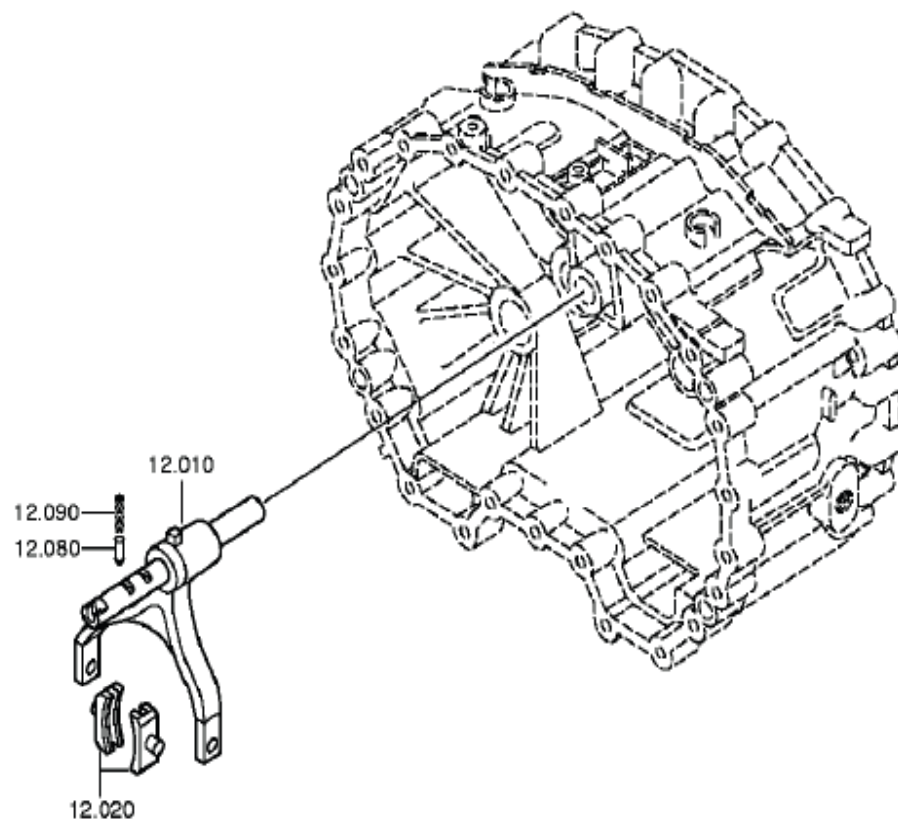
换挡系统
GEAR SHIFT SYSTEM



换挡系统
GEAR SHIFT SYSTEM

序号 Item No.	零件代码 Part No	中文名称 Chinese Name	英文名称 English Name	数量 Quantity	单位 Unit	备注 Notes
10	217003091	倒档中间齿轮轴	GEAR SHIFT SHAFT	1		KPL.
/10	217003092	倒档中间齿轮轴	GEAR SHIFT SHAFT	1		
/20	217003102	换挡指针	GSHIFT FINGER	1		
40	217003077	定位销	DETENT PIN	1		
50	217003057	弹簧	COMPRSPRING	1		ASTRONIC 2 HG/GV/GP
80		球头销	BALL PIN	1		
	217003033	球头销	BALL PIN	1		
120	217003086	齿轮换挡拨叉	GEAR SHIFT FORK	1		1. /RG
140	217003134	中间锁块	INTERLOCKING	1		
160	217003087	齿轮换挡拨叉	GEAR SHIFT FORK	1		1-4G
200	217003304	垫片	SPACER	1		
210	217003292	插槽的针脚	SLOTPIN	2		6X18
270		螺塞	SCREW PLUG	1		35N. M*DICHTRINGM18X1,
	217005024	螺塞	SCREW PLUG	1		M18X1, 5
	217003221	密封环	SEALING RING	1		A18X22

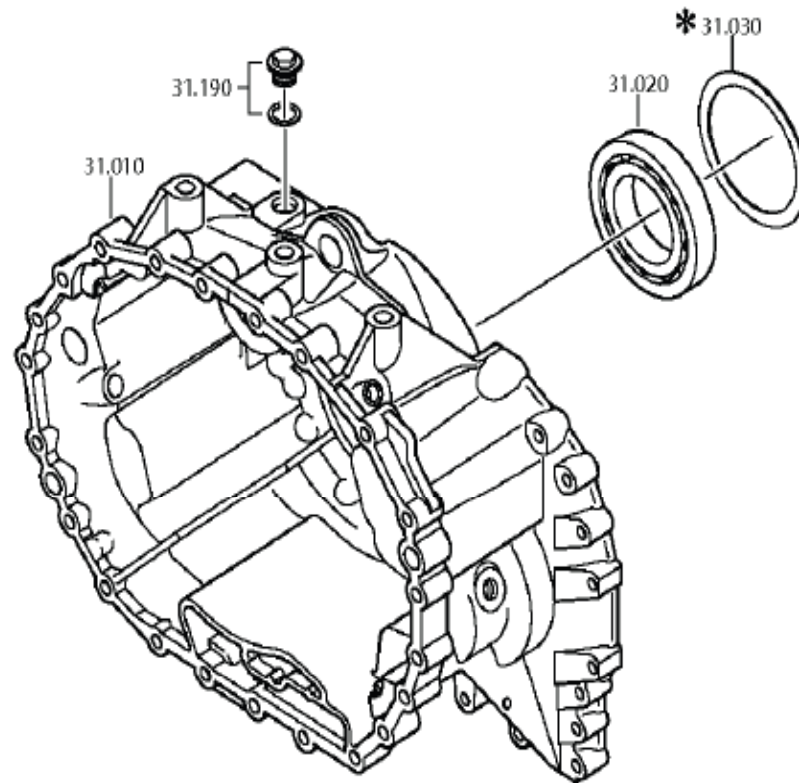
换挡系统
GV-SHIFT SYSTEM



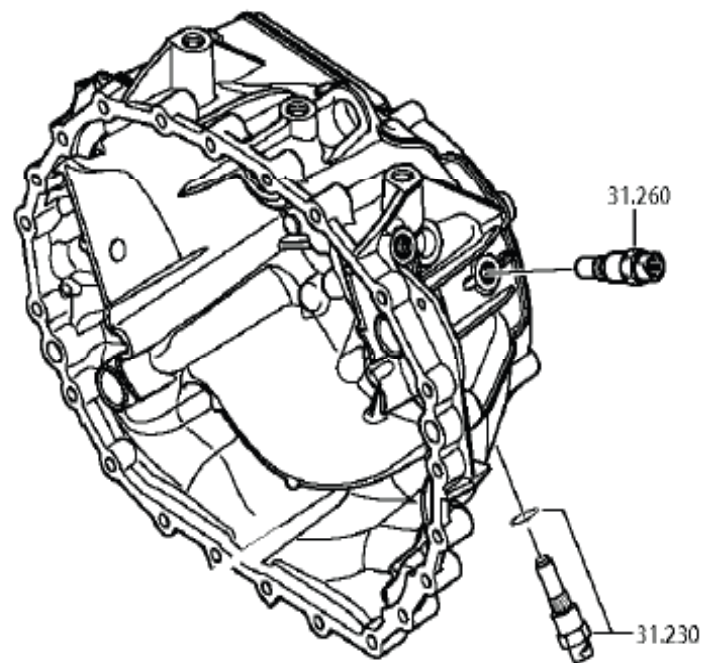
换挡系统
GV-SHIFT SYSTEM

序号 Item No.	零件代码 Part No	中文名称 Chinese Name	英文名称 English Name	数量 Quantity	单位 Unit	备注 Notes
10	217003088	齿轮换挡拨叉	GEAR SHIFT FORK	1		KPL.
20	217003288	滑套衬垫	SLIDING PAD	2		
80	217003077	定位销	DETENT PIN	1		
90	217003057	弹簧	COMPRSPRING	1		ASTRONIC 2 HG/GV/GP

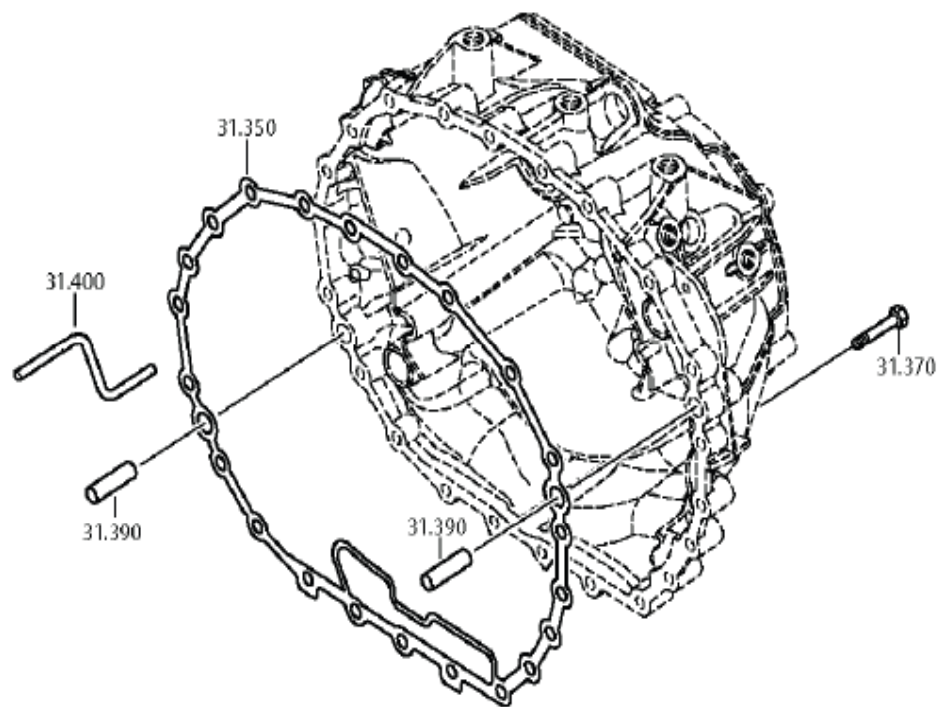
变速箱壳体
GP HOUSING



变速箱壳体
GP HOUSING



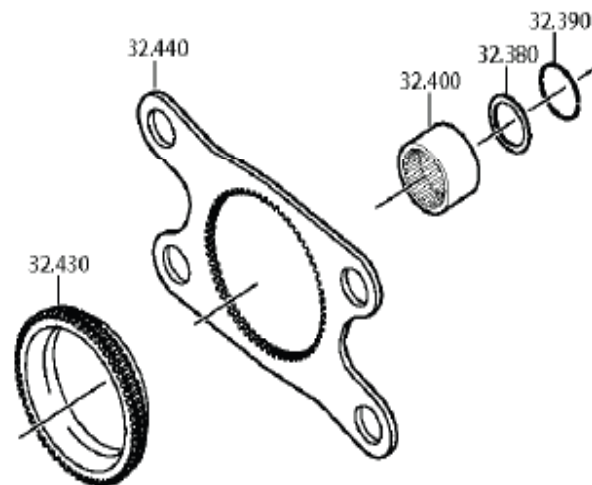
变速箱壳体
GP HOUSING



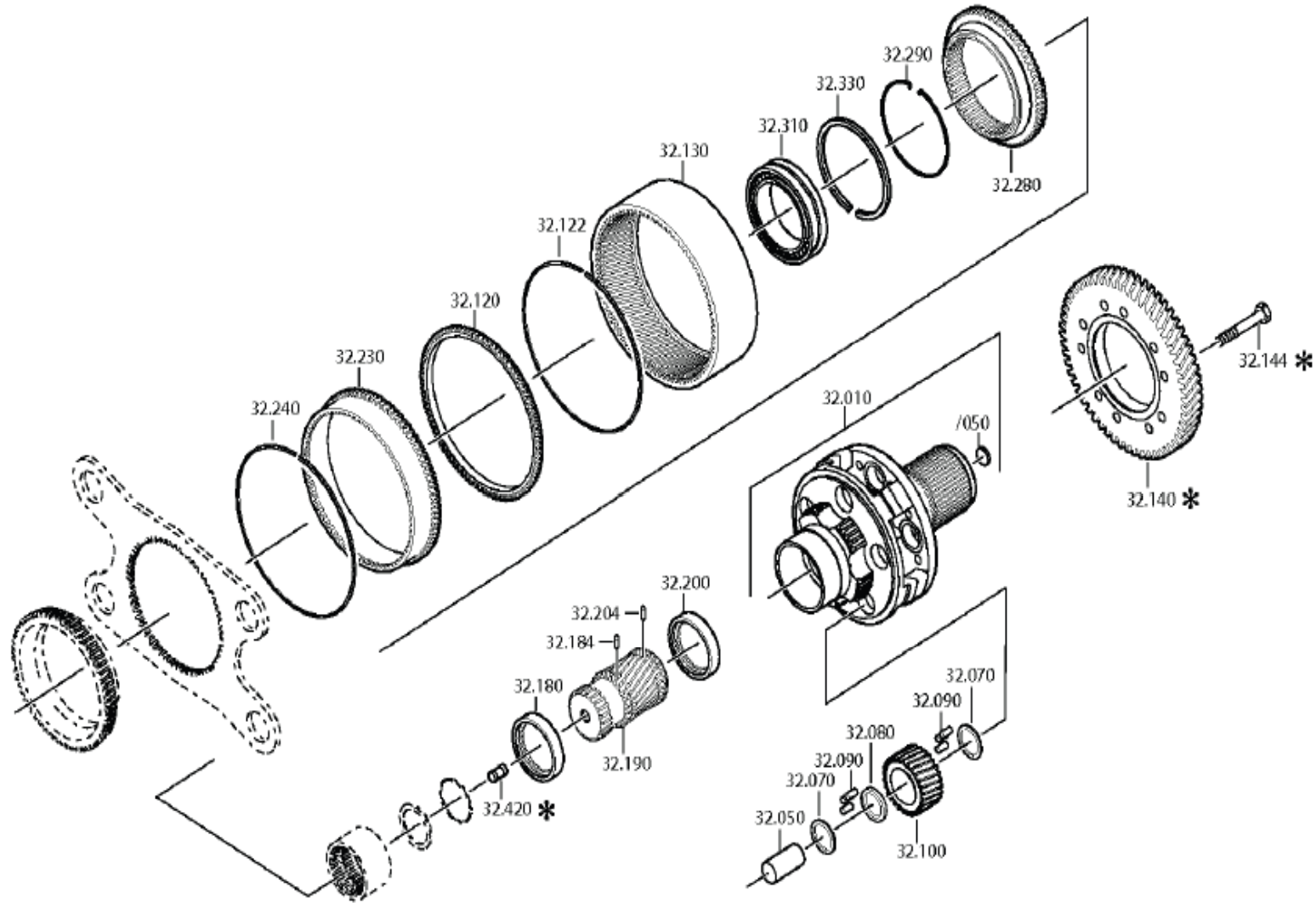
变速箱壳体
GP HOUSING

序号 Item No.	零件代码 Part No	中文名称 Chinese Name	英文名称 English Name	数量 Quantity	单位 Unit	备注 Notes
10	217003130	壳体	HOUSING	1		KPL.
20	217003031	滚珠轴承	BALL BEARING	1		90, 0X160, 0X30, 0
90		螺塞	SCREW PLUG	1		15N. M*DICHTRING M10X1
	217005274	螺塞	SCREW PLUG	1		M10X1
	217007066	密封环	SEALING RING	1		10X14
190		螺塞	SCREW PLUG	1		60N. M*DICHTRING M24X
	217005025	螺塞	SCREW PLUG	1		M24X1, 5
	217004496	密封环	SEALING RING	1		24X29
230		脉搏传感器	PULSE SENSOR	1		L=19, 8* 35N. M. * BAJON
	217008502	脉搏传感器	PULSE SENSOR	1		
260		脉搏传感器	PULSE SENSOR	1		L=19, 8* 35N. M. *BAJONE
	217004661	脉搏传感器	PULSE SENSOR	1		
350	217003083	垫圈	GASKET	1		
370	217005005	六角头螺栓	HEXAGON BOLT	22		M10X60
390	217003072	筒形销	CYLINDRICAL PIN	2		
400	217003308	喷淋管	SPRAY TUBE	1		GP

行星传动
PLANETARY DRIVE



行星传动
 PLANETARY DRIVE



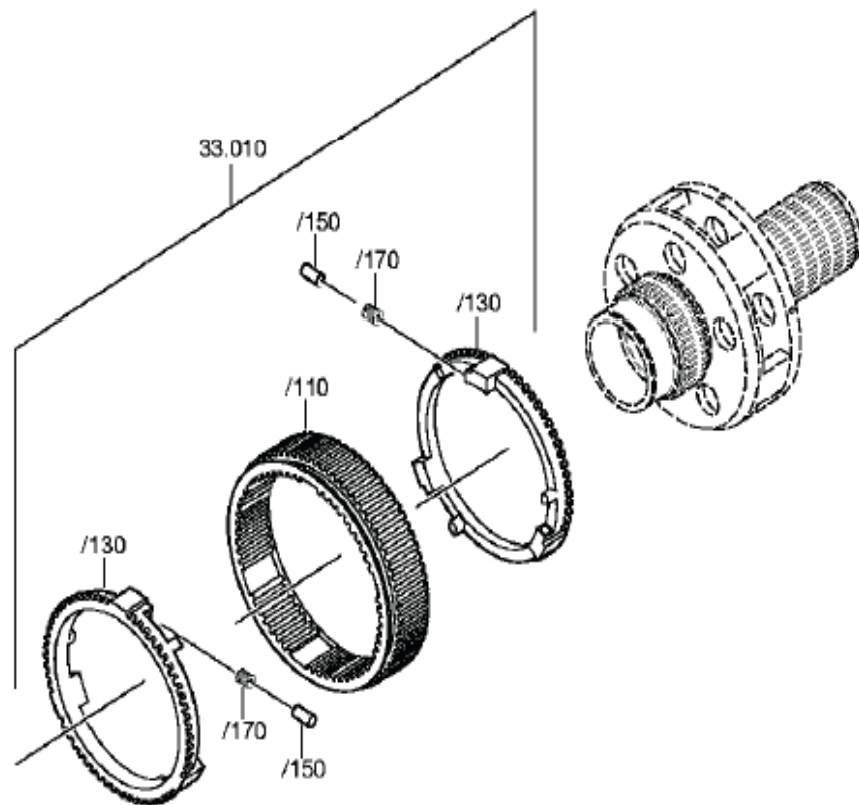
行星传动
PLANETARY DRIVE

序号 Item No.	零件代码 Part No	中文名称 Chinese Name	英文名称 English Name	数量 Quantity	单位 Unit	备注 Notes
10	217003165	行星齿轮架	PLANET CARRIER	1		KPL. IN 1328 232 012(
/50		密封压盖	SEALING CAP	1		20
	217003220	密封压盖	SEALING CAP	1		
50	217003167	行星齿轮轴	PLANET SHAFT	5		
70	217003135	中间垫片	INTERMWASHER	10		A=2, 30 IN 0730 105951
80	217003136	中间垫片	INTERMWASHER	5		A=2, 30 IN 0730 105951
90	217003212	滚轴	ROLLER	140		10, 0X16, 8
100	217003166	差速器行星轮	PLANET GEAR SET	1		KPL. BETA=12GRAD 19MIN
120	217003317	挡圈	THRUST RING	1		
122	217003145	锁线	LOCKING WIRE	1		ENTHALT. IN 0730 51368
130	217003210	环形齿轮	RING GEAR	1		
140	217003113	斜齿轮	HELICAL GEAR	1		ZYLINDERKOPFSCHRAUBEN
144	217003049	平头螺丝	CAP SCREW	10		M12X25
180	217003176	压力垫圈	PRESSURE DISC	1		
190	217003309	中心齿轮	SUN GEAR	1		
200	217003176	压力垫圈	PRESSURE DISC	1		
230	217003211	环齿轮托架	RING GEAR CARRIER	1		
240	217003145	锁线	LOCKING WIRE	1		ENTHALT. IN 0730 51368
280	217003051	离合器体	CLUTCH BODY	1		
290	217003206	挡圈	RETAINING RING	1		
310	217003076	滚针轴承	NEEDLE BEARING	1		A=2, 50
330	217003300	开口环	SNAP RING	1		100, 0X130, 0X30, 0
380	217003263	垫片	SHIM	1		A=3, 30 IN 0730 003883
390	217003207	挡圈	RETAINING RING	1		64X2

行星传动
PLANETARY DRIVE

序号 Item No.	零件代码 Part No	中文名称 Chinese Name	英文名称 English Name	数量 Quantity	单位 Unit	备注 Notes
400	217007067	套筒	SLEEVE	1		
430	217008503	离合器体	CLUTCH BODY	1		
440	217003171	板材	PLATE	1		ENTHALT. IN 1314 33304

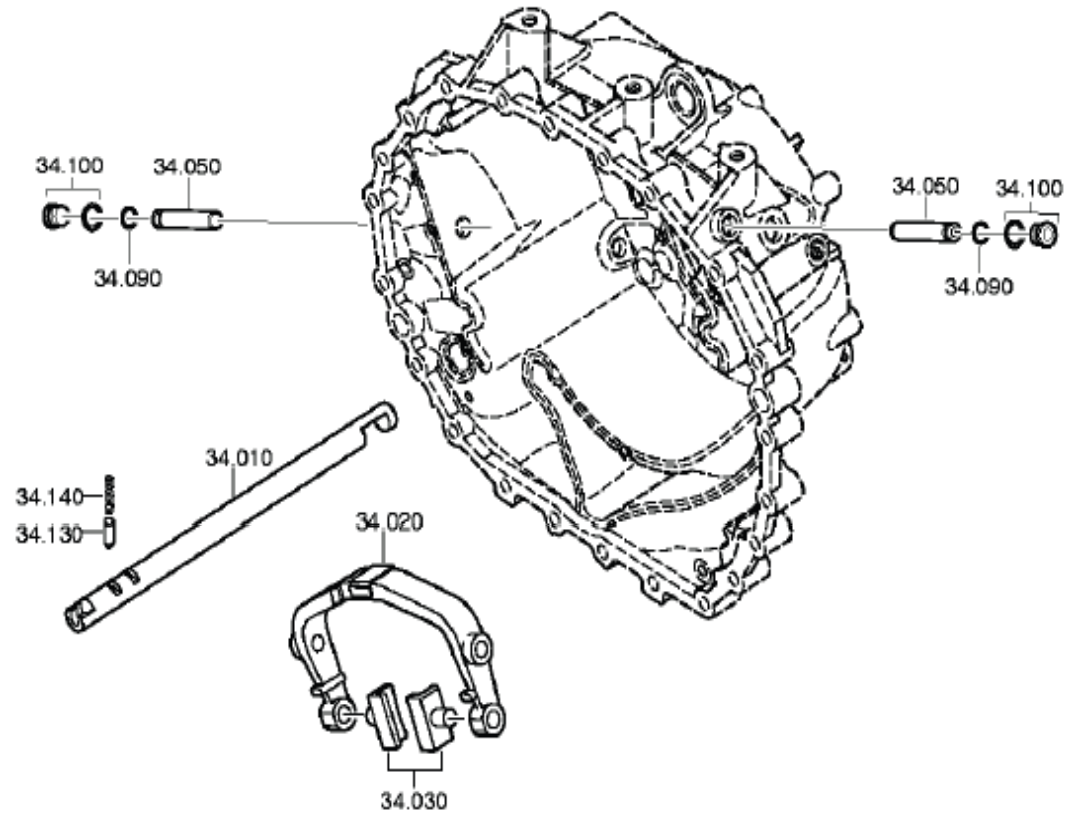
同步器
SYNCHRONIZER



同步器
SYNCHRONIZER

序号 Item No.	零件代码 Part No	中文名称 Chinese Name	英文名称 English Name	数量 Quantity	单位 Unit	备注 Notes
10	217003312	协调器	SYNCHRONIZER	1		KPL.
/110	217003291	滑动套筒	SLIDING SLEEVE	1		ZF-B165/74
/130	217003315	同步环	SYNCHRORING	2		
/150	217003041	衬套	BUSH	6		A=17, 00
/170	217003058	弹簧	COMPRSPRING	6		

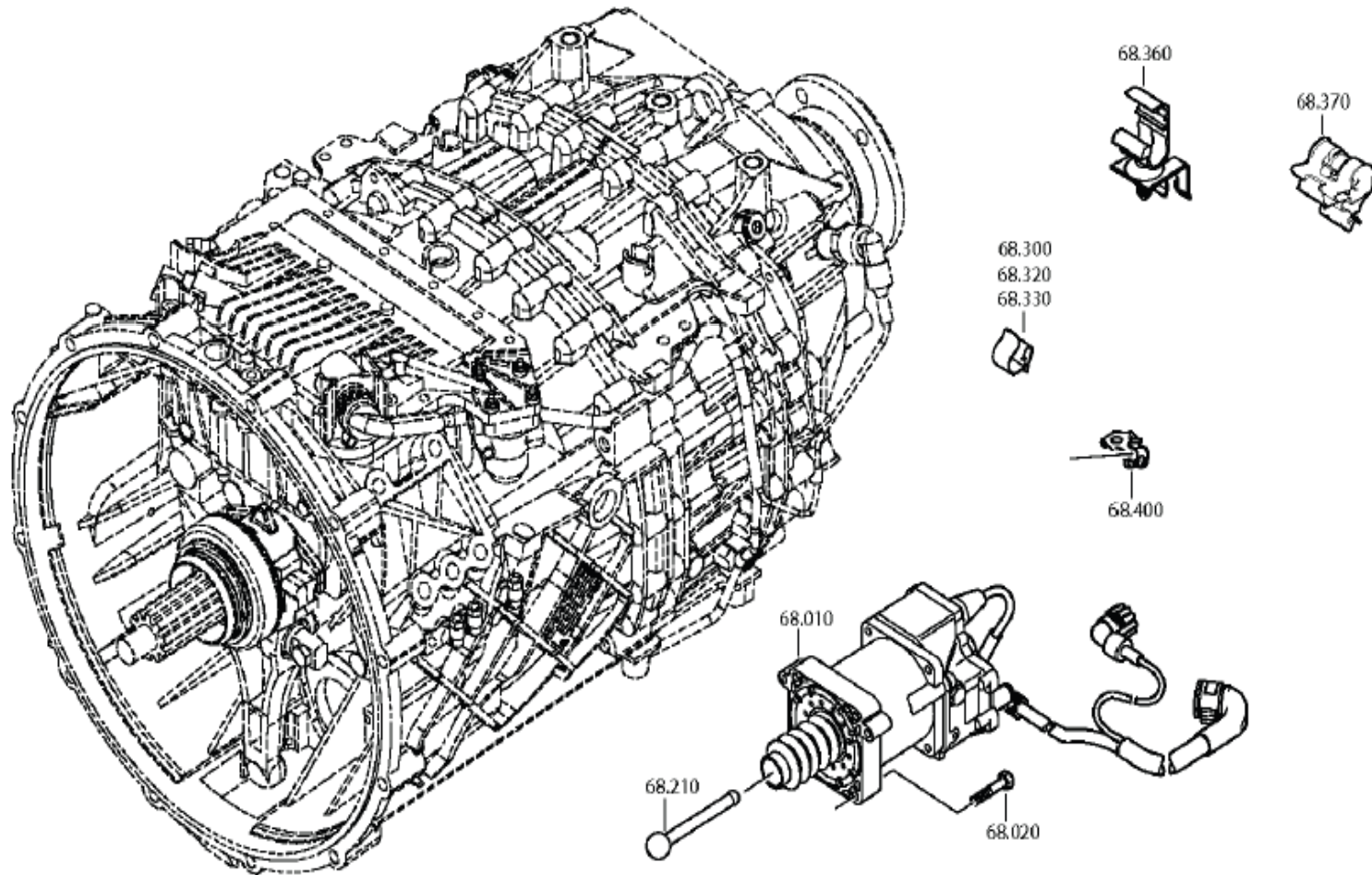
换挡系统
GP SHIFT SYSTEM



换挡系统
GP SHIFT SYSTEM

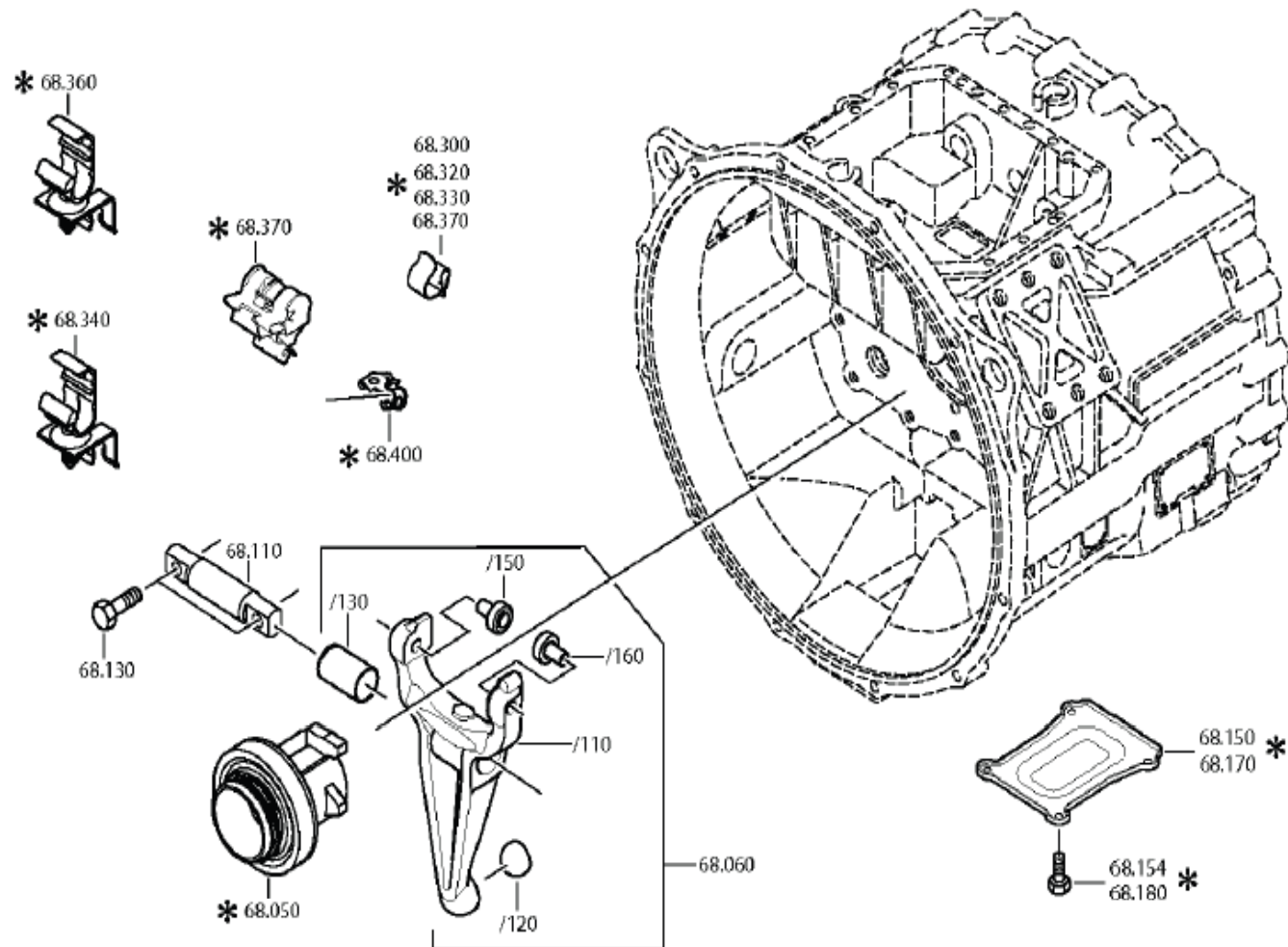
序号 Item No.	零件代码 Part No	中文名称 Chinese Name	英文名称 English Name	数量 Quantity	单位 Unit	备注 Notes
10	217003090	齿轮转移轨道	GEAR SHIFT RAIL	1		
20	217003089	齿轮换挡拨叉	GEAR SHIFT FORK	1		
30	217003289	滑套衬垫	SLIDING PAD	2		
50	217003138	连接销	JOINT PIN	2		
90	217003301	开口环	SNAP RING	2		
100		螺塞	SCREW PLUG	2		40N. M*DICHTRINGM20X1,
	217006945	螺塞	SCREW PLUG	2		M20X1, 5
	217003223	密封环	SEALING RING	2		A20X24
130	217003077	定位销	DETENT PIN	1		
140	217003057	弹簧	COMPRSPRING	1		ASTRONIC 2 HG/GV/GP

离合器分离装置
CLUTCH RELEASE DEVICE



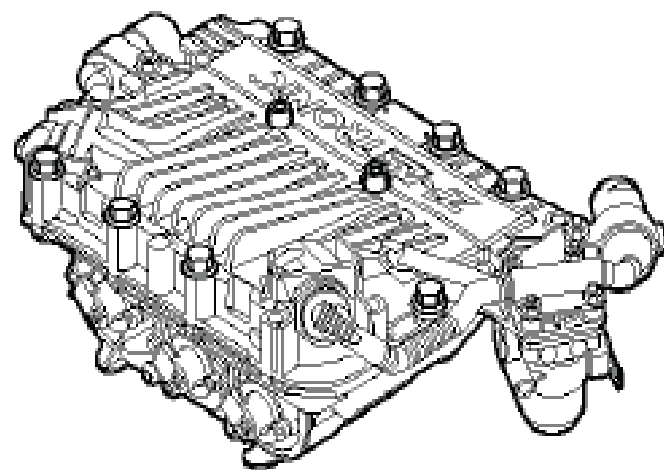
离合器分离装置

CLUTCH RELEASE DEVICE



离合器分离装置
CLUTCH RELEASE DEVICE

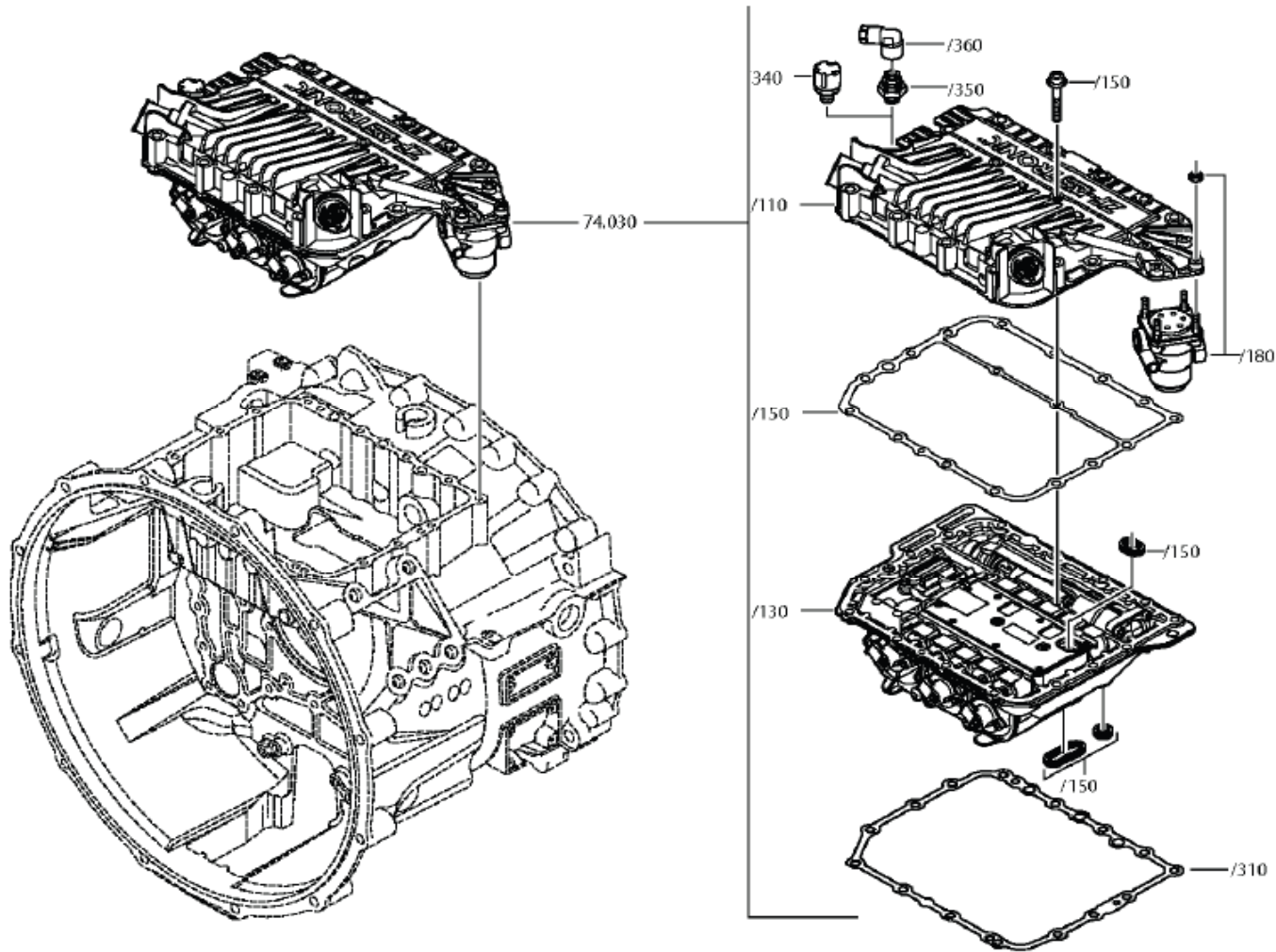
序号 Item No.	零件代码 Part No	中文名称 Chinese Name	英文名称 English Name	数量 Quantity	单位 Unit	备注 Notes
10	217007068	离合器执行机构	CLUTCH ACTUATOR	1		20PIN
20	217007069	六角头螺栓	HEXAGON BOLT	4		M8X50
50	217008504	释放装置	RELEASE DEVICE	1		KZISZ-5, L=95MM
60	217008505	分离拨叉	RELEASE FORK	1		KPL*GABELWEITE116, 0*K
/110	217008506	分离拨叉	RELEASE FORK	1		
/120	217003032	球头座	BALL CUP	1		
/130	217008507	滑套	SLIDING BUSH	1		
/150	217003047	凸轮随动件	CAM FOLLOWER	1		KPL.
/160	217003047	凸轮随动件	CAM FOLLOWER	1		KPL.
110	217003186	分离轴	RELEASE SHAFT	1		
130	217006943	六角头螺栓	HEXAGON BOLT	2		M12X50
150	217006944	盖子	COVER	1		
154	217003576	六角头螺栓	HEXAGON BOLT	4		M8X25
210	217003174	压杆	PRESSING ROD	1		
280	217006894		TRANSPORTSICHG	1		VIERKANT-HOLZ
300	217003045	电缆终端	CABLE TERMINAL	1		
320	217003046	电缆终端	CABLE TERMINAL	1		
330	217003046	电缆终端	CABLE TERMINAL	1		
360	217007070	固定处	ANCHORAGE	1		201187001 PASSIVIERT
370	217003144	修理包	LINE FIXING	1		KPL.



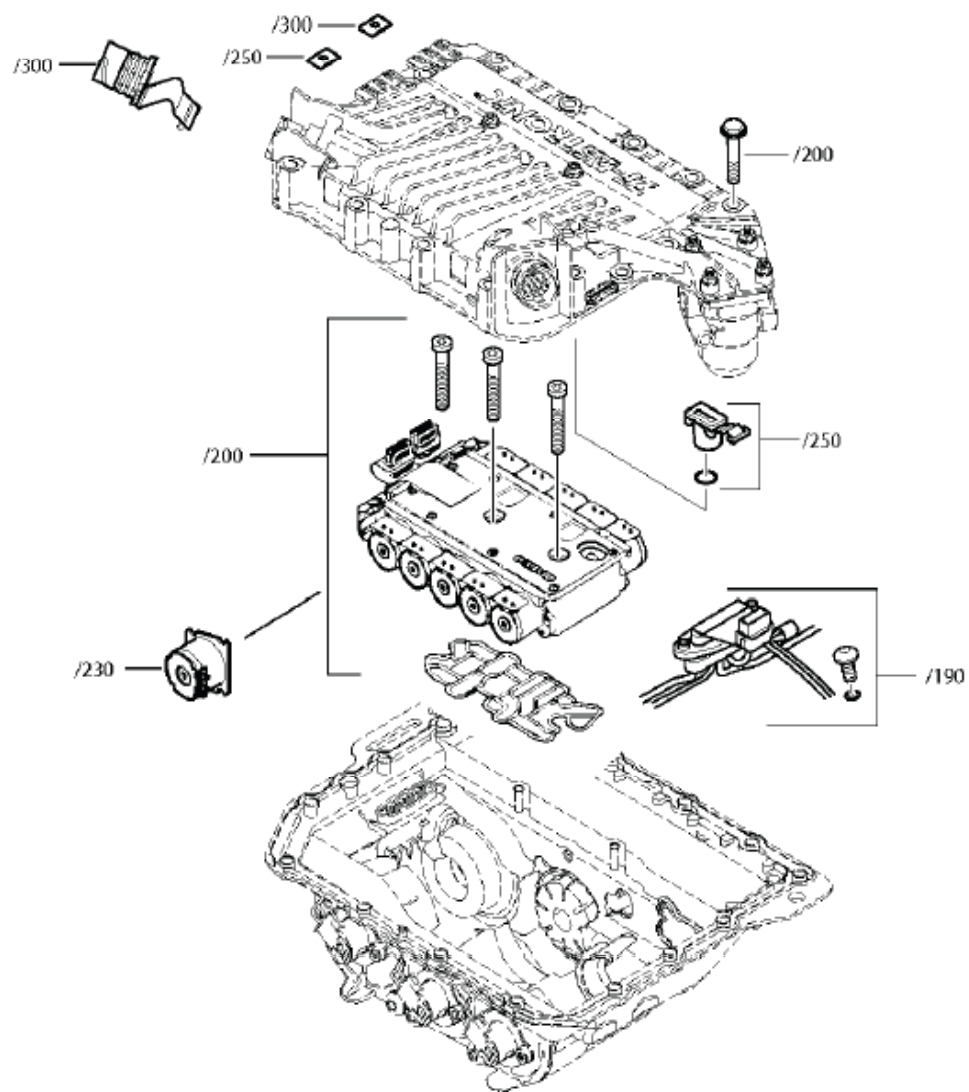
GS 33
 GS 33

序号 Item No.	零件代码 Part No	中文名称 Chinese Name	英文名称 English Name	数量 Quantity	单位 Unit	备注 Notes
110	217003320	传动执行装置	TRANSMISSION ACTUATOR	1		GS3. 3*STANDARD*20PINS
150	217003025	配件	ACCESSORIES	1		GS 3 ENTLUEFTUNGTRUCK

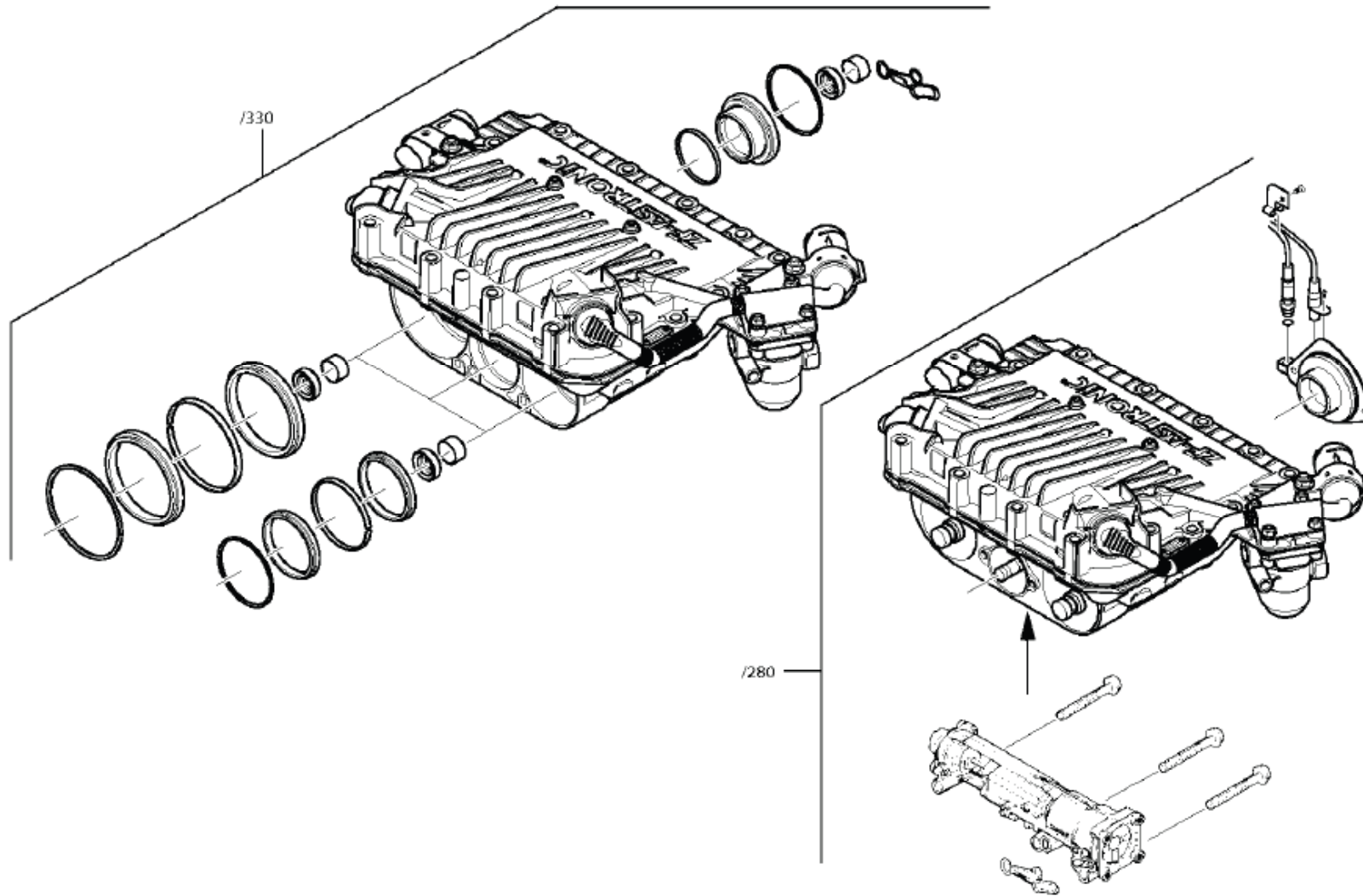
传动执行装置
TRANSMISSION ACTUATOR



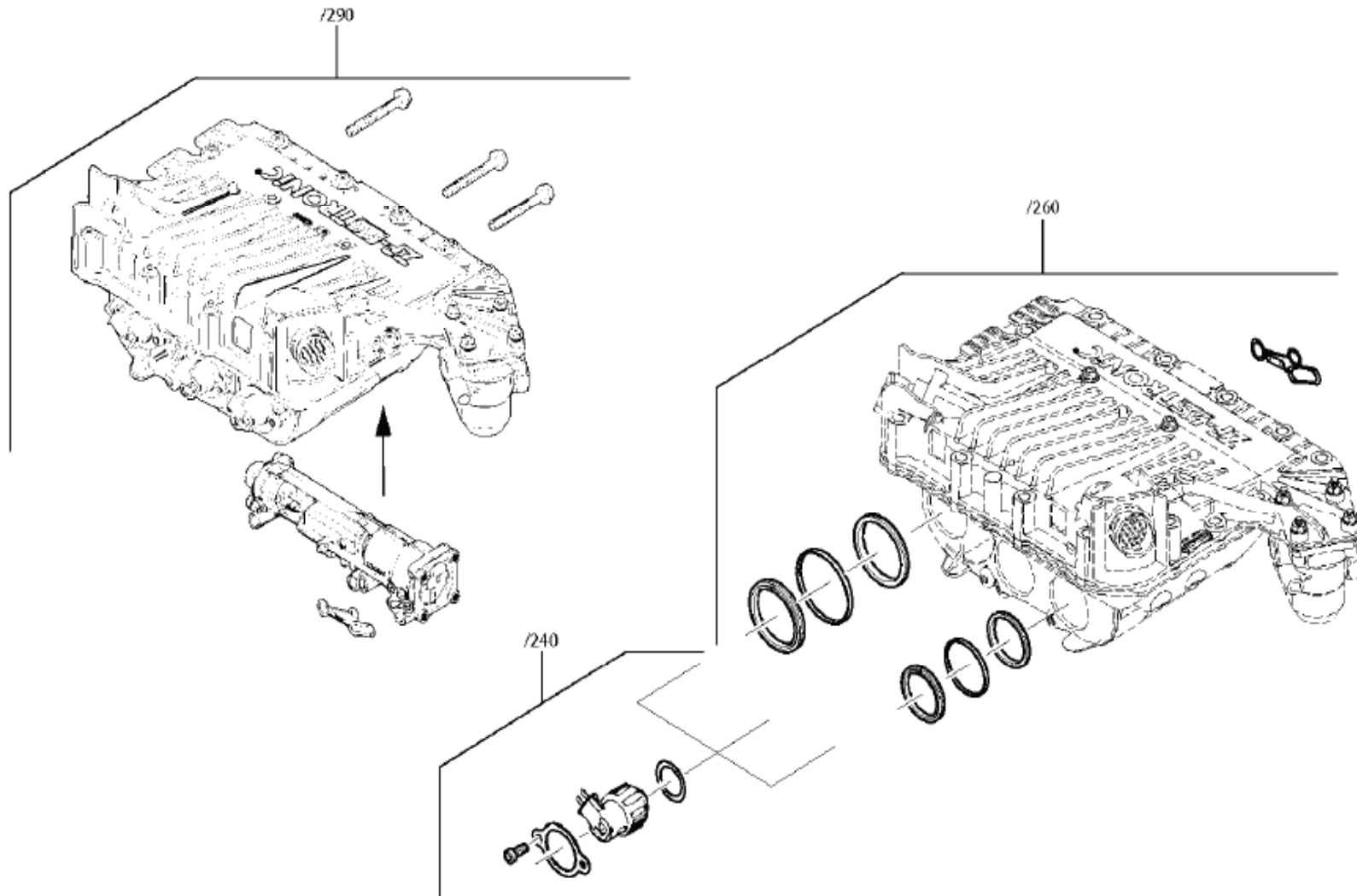
传动执行装置
TRANSMISSION ACTUATOR



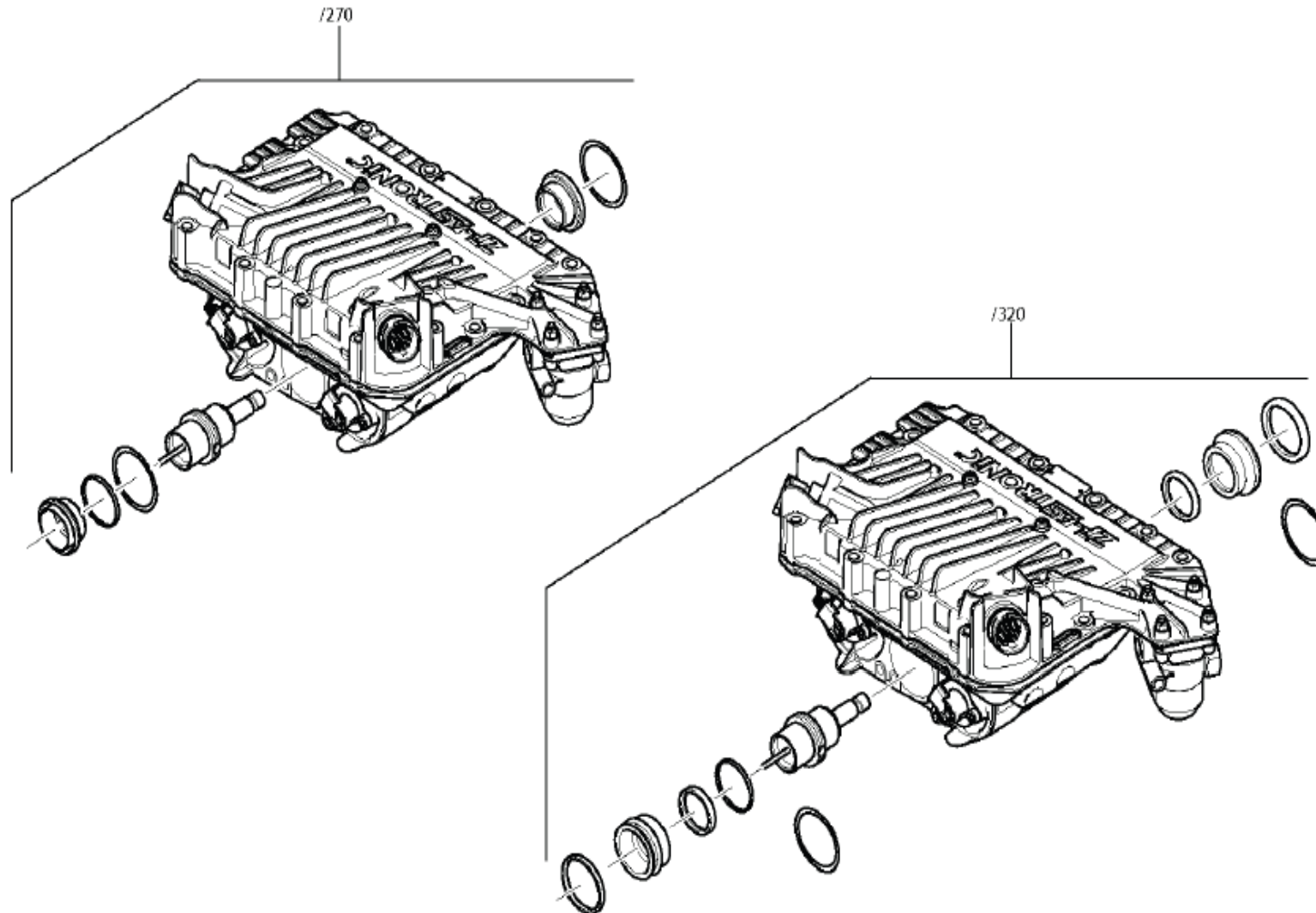
传动执行装置
TRANSMISSION ACTUATOR



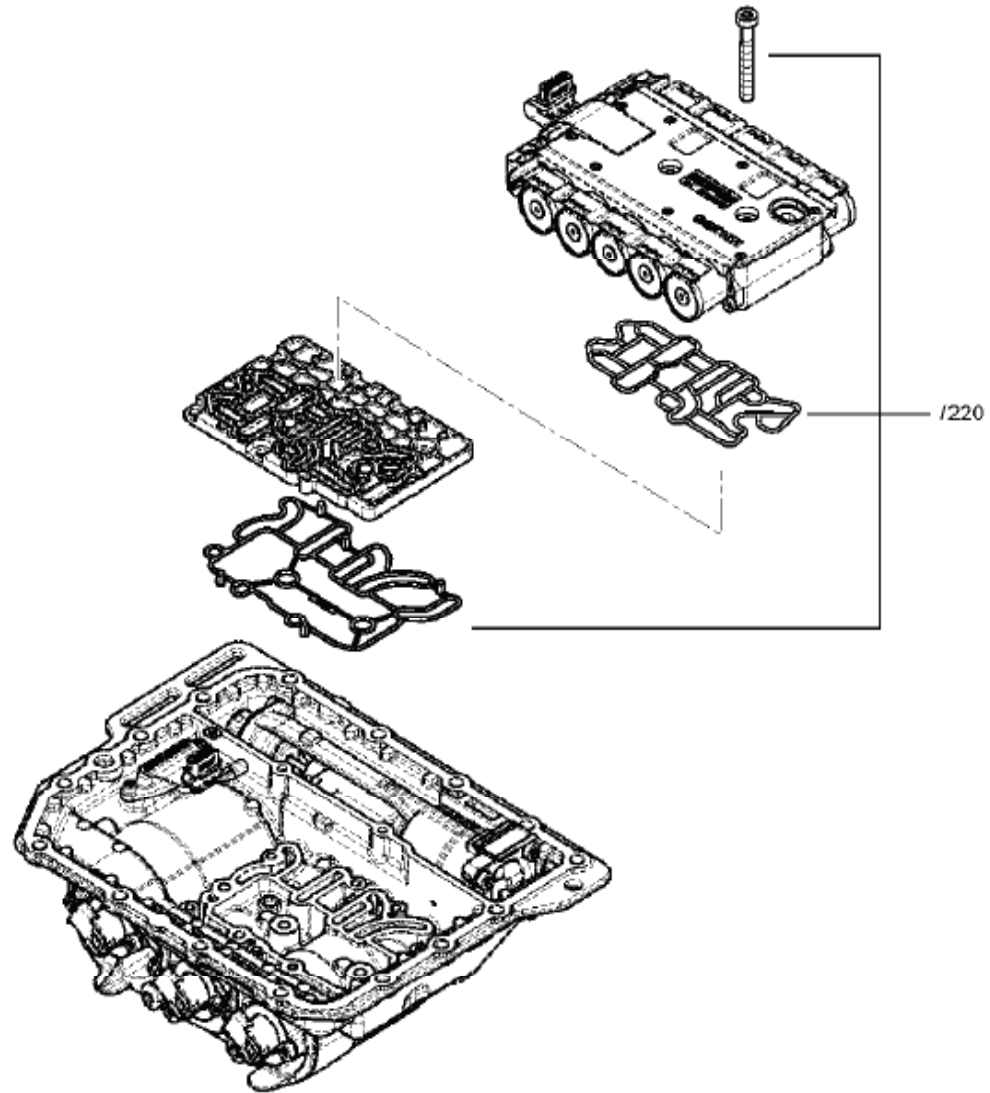
传动执行装置
TRANSMISSION ACTUATOR



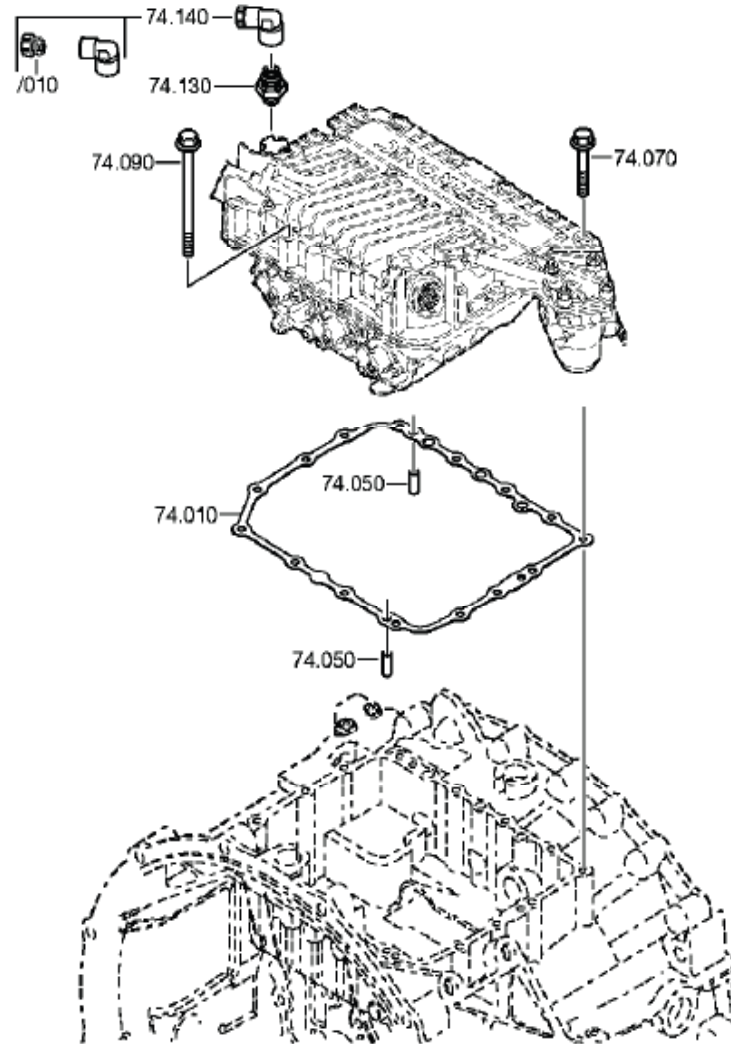
传动执行装置
TRANSMISSION ACTUATOR



传动执行装置
TRANSMISSION ACTUATOR



传动执行装置
TRANSMISSION ACTUATOR



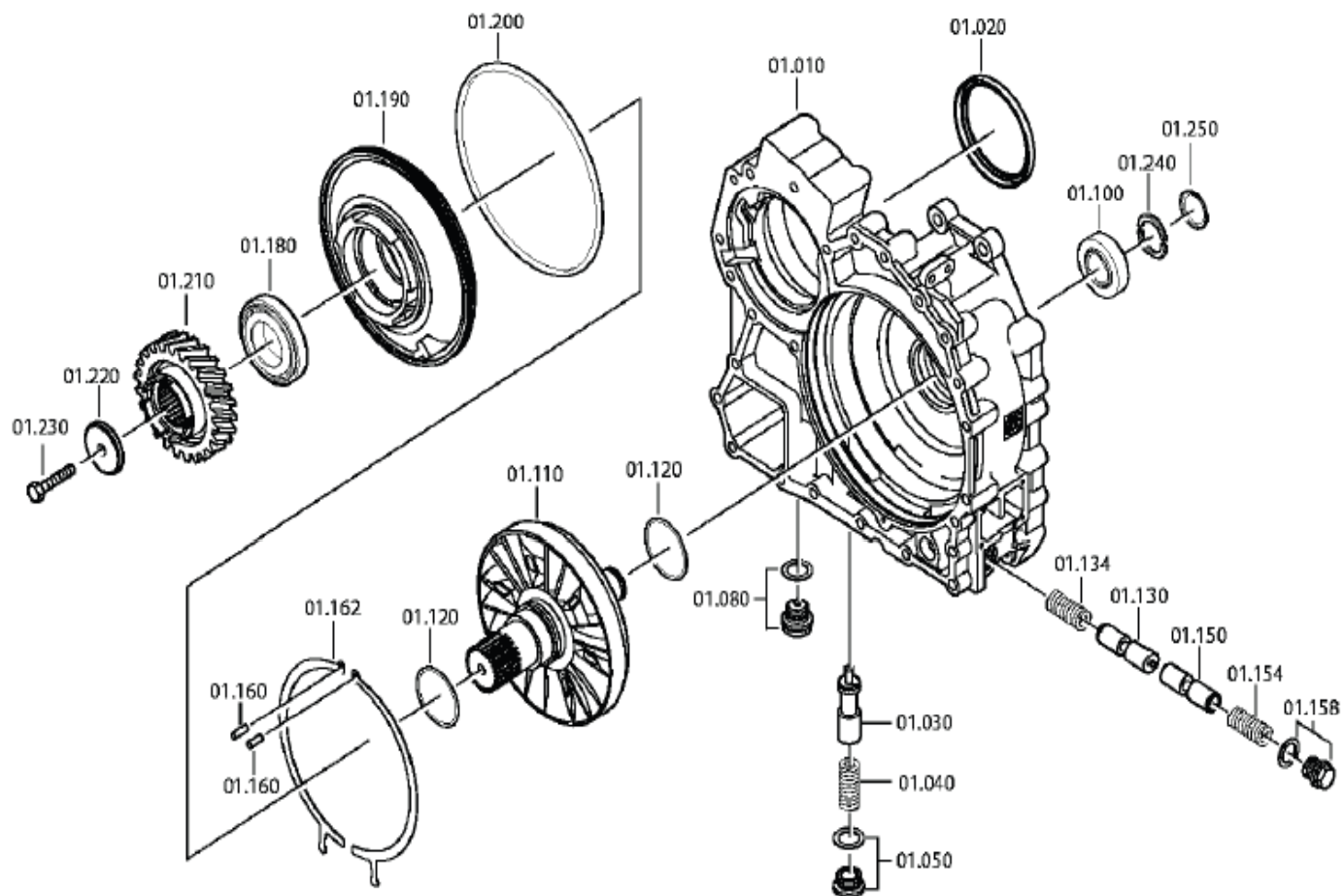
传动执行装置
TRANSMISSION ACTUATOR

序号 Item No.	零件代码 Part No	中文名称 Chinese Name	英文名称 English Name	数量 Quantity	单位 Unit	备注 Notes
10	217003084	垫圈	GASKET	1		LOS 2
30	217003321	传动执行装置	TRANSMISSION ACTUATOR	1		KPL. GS3.3 STANDARD
/110	217003079	上盖	GS 33 UPPER PART	1		GS3. 3*OBERTEIL*STANDA
/130	217003187	修理包	REPAIR KIT	1		KPL. GS3*UNTERTEIL
/150	217003217	油封	SEAL KIT	1		
/180	217003175	阀门控制	PRESSREDVALVE	1		
/190	217003061	连接部分	CONNECTION PART	1		
/200	217003323	阀密封垫	VALVE INSERT	1		
/220	0501330103	修理包	REPAIR KIT	1		
/230	217003303	电磁阀	SOLENOID VALVE	1		
/240	217003225	传感器	SENSOR	1		
/250	217003178	压力传感器	PRESSURE SENSOR	1		GS3, REPARATURKITDRUCK
/260	217003218	油封	SEAL KIT	1		
/270	217003163	活塞	PISTON	1		
/280	217003037	支架	BRACKET	1		
/290	217003224	选择器缸	SELECTOR CYLINDER	1		REPARATURSATZ GS3
/300	217003302	插口	SOCKET	1		GS3, REPARATURKIT20POL
/310	217003084	垫圈	GASKET	1		LOS 2
/320	217003164	活塞	PISTON	1		
/330	217003219	油封	SEAL KIT	1		
/340		修理包	BREATHER	1		
/350		连接套筒	CANNON SOCKET	1		M10X1
	217003048	连接套筒	CANNON SOCKET	1		M10X1
/360	217003027	角形构件	ANGLE PIECE	1		

传动执行装置
TRANSMISSION ACTUATOR

序号 Item No.	零件代码 Part No	中文名称 Chinese Name	英文名称 English Name	数量 Quantity	单位 Unit	备注 Notes
50	217003074	筒形销	CYLINDRICAL PIN	2		8X16
70	217006934	六角头螺栓	HEXAGON BOLT	9		M8X45
90	217006935	六角头螺栓	HEXAGON BOLT	6		M8X70
130		连接套筒	CANNON SOCKET	1		M10X1
	217003048	连接套筒	CANNON SOCKET	1		M10X1
140	217003027	角形构件	ANGLE PIECE	1		

壳体
HOUSING



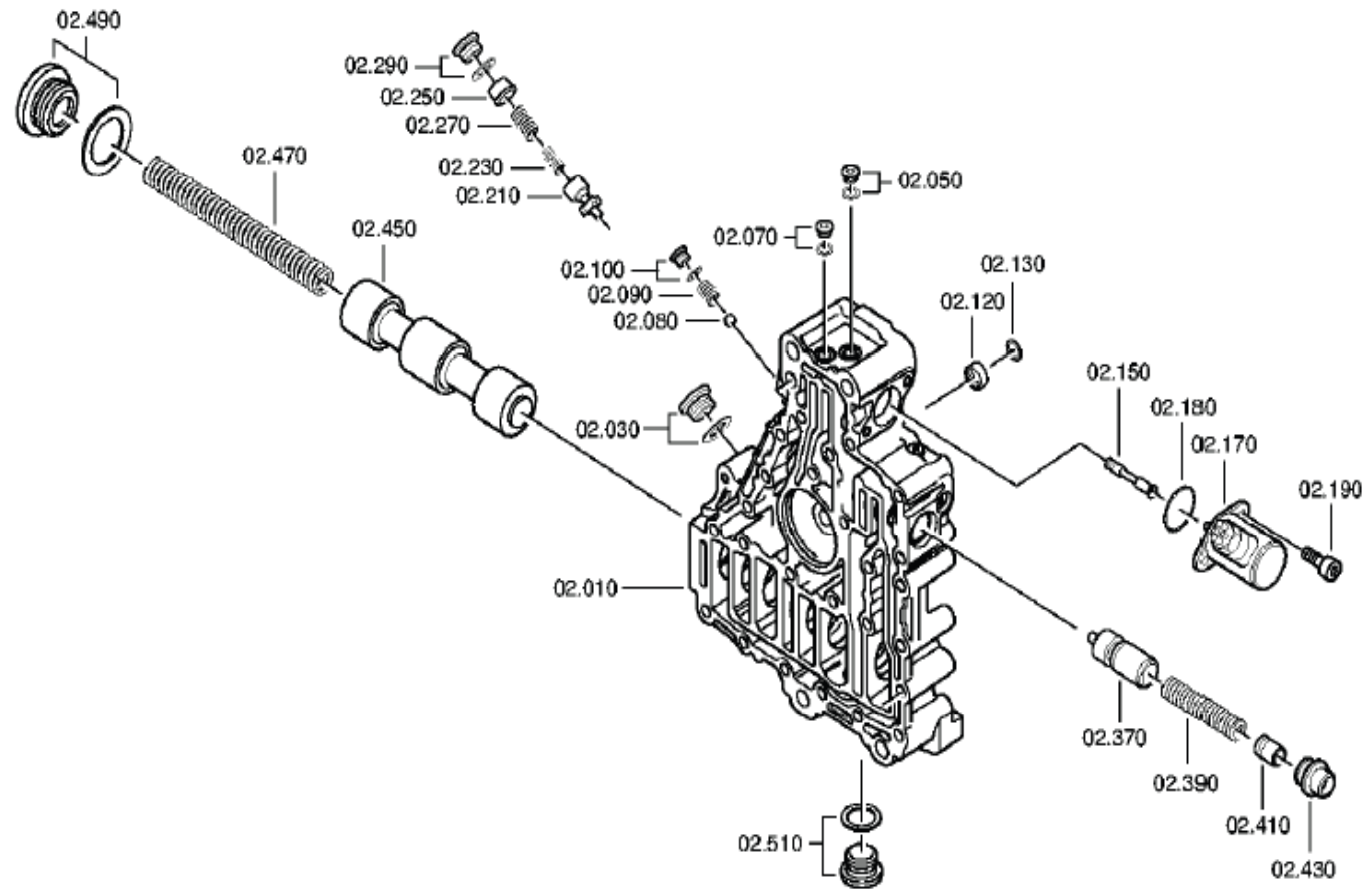
壳体
HOUSING

序号 Item No.	零件代码 Part No	中文名称 Chinese Name	英文名称 English Name	数量 Quantity	单位 Unit	备注 Notes
10	217003127	壳体	HOUSING	1		IT ASTR 0. SCH. 0. LPEDE
12	#N/A	插头	PLUG	1		
14	#N/A	插头	PLUG	1		
20	217004509	轴密封	SHAFT SEAL	1		105X125X12/9, 5
30	217004446	活塞	PISTON	1		VORSP. 1, 5 BAR
40	217004297	弹簧	COMPRSPRING	1		
50		螺塞	SCREW PLUG	1		60N. M*DICHTRING*LOCTI
	217005019	螺塞	SCREW PLUG	1		M26X1, 5
	217004498	密封环	SEALING RING	1		26X31
80		螺塞	SCREW PLUG	1		M26X1, 5
	217005168	螺塞	SCREW PLUG	1		M24X1, 5 M24X1, 5
	217004496	密封环	SEALING RING	1		24X29
100	217004614	滚动轴承	TAROLLBEARING	1		33, 3X68, 2X22, 2
110	217004484	转子	ROTOR	1		
120	217003692	活塞环	PISTON RING	1		65, 1X70, 0X3, 5
130	217003161	活塞	PISTON	1		
134	217003056	弹簧	COMPRSPRING	1		
150	217003161	活塞	PISTON	1		
154	217003056	弹簧	COMPRSPRING	1		
158		螺塞	SCREW PLUG	1		50N. M*DICHTRING*LOCTI
	217005169	螺塞	SCREW PLUG	1		M22X1, 5 ERZ. M22X1, 5
	217004908	密封环	SEALING RING	1		A22X27
160	217003071	筒形销	CYLINDRICAL PIN	2		6X32
162	217003150	油塞	OIL DAM	2		

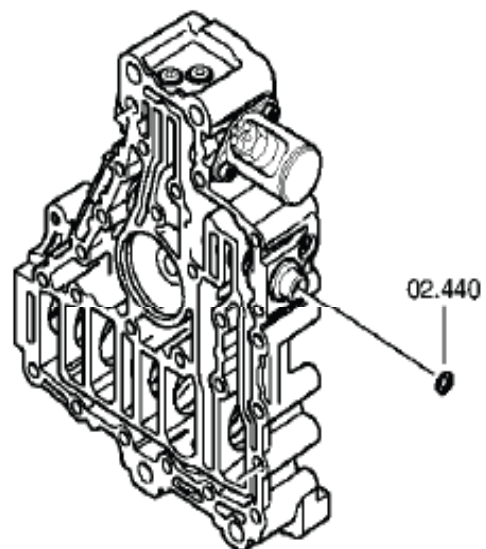
壳体
HOUSING

序号 Item No.	零件代码 Part No	中文名称 Chinese Name	英文名称 English Name	数量 Quantity	单位 Unit	备注 Notes
180	217004615	滚动轴承	TAROLLBEARING	1		50, 800X95, 250X27, 783
190	217004966	定子	STATOR	1		
200	217004816	O型密封圈	O-RING	1		240X3
210	217003105	斜齿轮	HELICAL GEAR	1		ENTHALT. IN 6085 30101
220	217004624	垫圈	WASHER	1		
230	217004371	六角头螺栓	HEXAGON BOLT	1		M12X80
240	217004582	开口环	SPLIT RING	1		KPL. A=3, 70
250	217004462	挡圈	RETAINING RING	1		A=3, 40 IN 0730 062636
620	217005840	铭牌	TYPE PLATE	1		EINHEITSSCH. VERDREHSI
630	217004994	盲铆钉	BLIND RIVET	4		

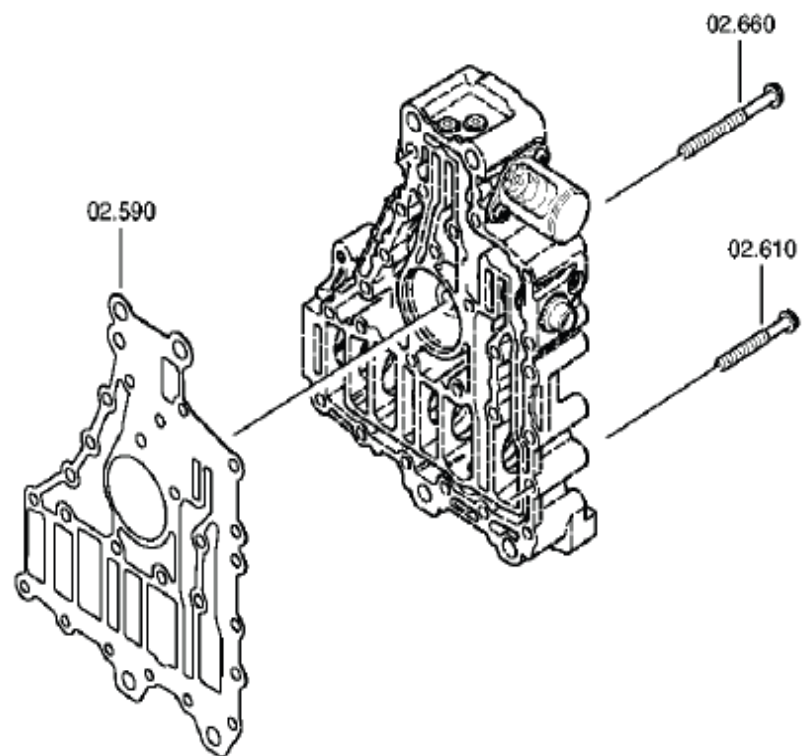
控制单元
CONTROL UNIT



控制单元
CONTROL UNIT



控制单元
CONTROL UNIT



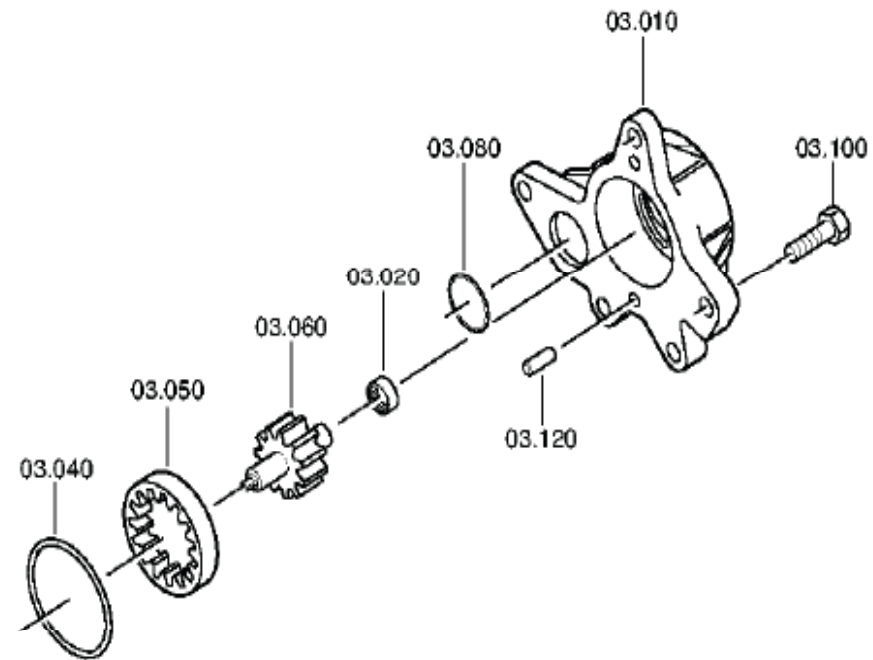
控制单元
CONTROL UNIT

序号 Item No.	零件代码 Part No	中文名称 Chinese Name	英文名称 English Name	数量 Quantity	单位 Unit	备注 Notes
10	217004713	控制箱	CONTROL HOUSING	1		KPL. IT*WT-ANGEFL
30		螺塞	SCREW PLUG	1		60N. M*DICHTRING*LOCTI
	217005020	螺塞	SCREW PLUG	1		M26X1, 5
	217004498	密封环	SEALING RING	1		26X31
50		螺塞	SCREW PLUG	1		23N. M*DICHTRING*LOCTI
	217005021	螺塞	SCREW PLUG	1		M12X1, 5
	217004499	密封环	SEALING RING	1		12X16
70		螺塞	SCREW PLUG	1		23N. M*DICHTRING*LOCTI
	217005021	螺塞	SCREW PLUG	1		M12X1, 5
	217004499	密封环	SEALING RING	1		12X16
80	217004275	球体	BALL	1		10
90	217004298	弹簧	COMPRSPRING	1		
100		螺塞	SCREW PLUG	1		23N. M*DICHTRING*LOCTI
	217005021	螺塞	SCREW PLUG	1		M12X1, 5
	217004499	密封环	SEALING RING	1		12X16
120	217004427	针形套筒	NEEDLE SLEEVE	1		12X18X12
130	217004622	V形环	V-RING	1		
150	217004829	活塞	PISTON	1		VORSTEUERKOLBEN
170	0501328508	磁石	MAGNET	1		BAJONETT
180	217000002	O型密封圈	O-RING	1		27X3
190	217004287	平头螺丝	CAP SCREW	2		M8X22
210	217007061	活塞	PISTON	1		DR. BEGR. AUSSEN 12BAR
230	217004299	弹簧	COMPRSPRING	1		
250	217007062	活塞	PISTON	1		DR. BEGR. INNEN 12 BAR

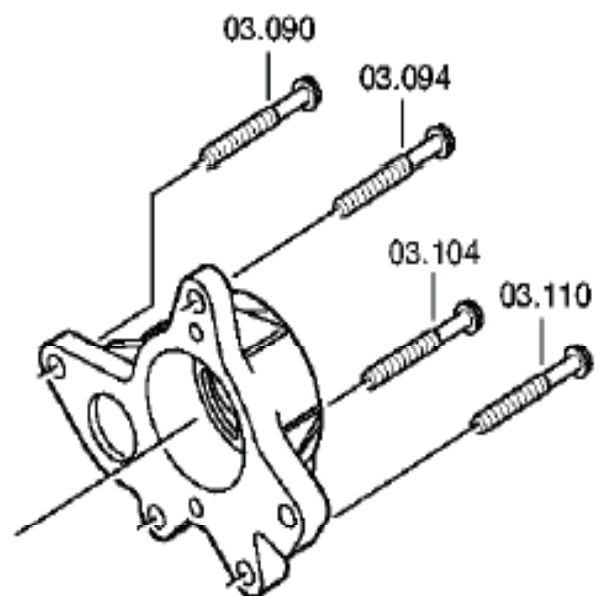
控制单元
CONTROL UNIT

序号 Item No.	零件代码 Part No	中文名称 Chinese Name	英文名称 English Name	数量 Quantity	单位 Unit	备注 Notes
270	217003487	弹簧	COMPRSPRING	1		
290		螺塞	SCREW PLUG	1		60N. M*DICHTRING*LOCTI
	217005020	螺塞	SCREW PLUG	1		M26X1, 5
	217004498	密封环	SEALING RING	1		26X31
370	217004450	活塞	PISTON	1		REGELKOLBEN
390	217004703	弹簧	COMPRSPRING	1		
410	217004452	活塞	PISTON	1		REGEL INNEN
430	217004992	调节螺钉	ADJUSTING SCREW	1		KPL.
440	217005027	密封压盖	SEALING CAP	1		
450	6085302048	活塞	PISTON	1		UMSCHALTKOLBEN
470	217004301	弹簧	COMPRSPRING	1		
490		螺塞	SCREW PLUG	1		150N. M*DICHTRING*LOCT
	217005022	螺塞	SCREW PLUG	1		M48X1, 5 M48X1, 5
	217004500	密封环	SEALING RING	1		48X55
510		螺塞	SCREW PLUG	1		60N. M*DICHTRING*LOCTI
	217005023	螺塞	SCREW PLUG	1		M24X1, 5
	217004496	密封环	SEALING RING	1		24X29
590	217004334	垫圈	GASKET	1		
610	217005003	六角头螺栓	HEXAGON BOLT	13		M8X80 M8X80
660	217005003	六角头螺栓	HEXAGON BOLT	7		M8X80 M8X80

泵
PUMP



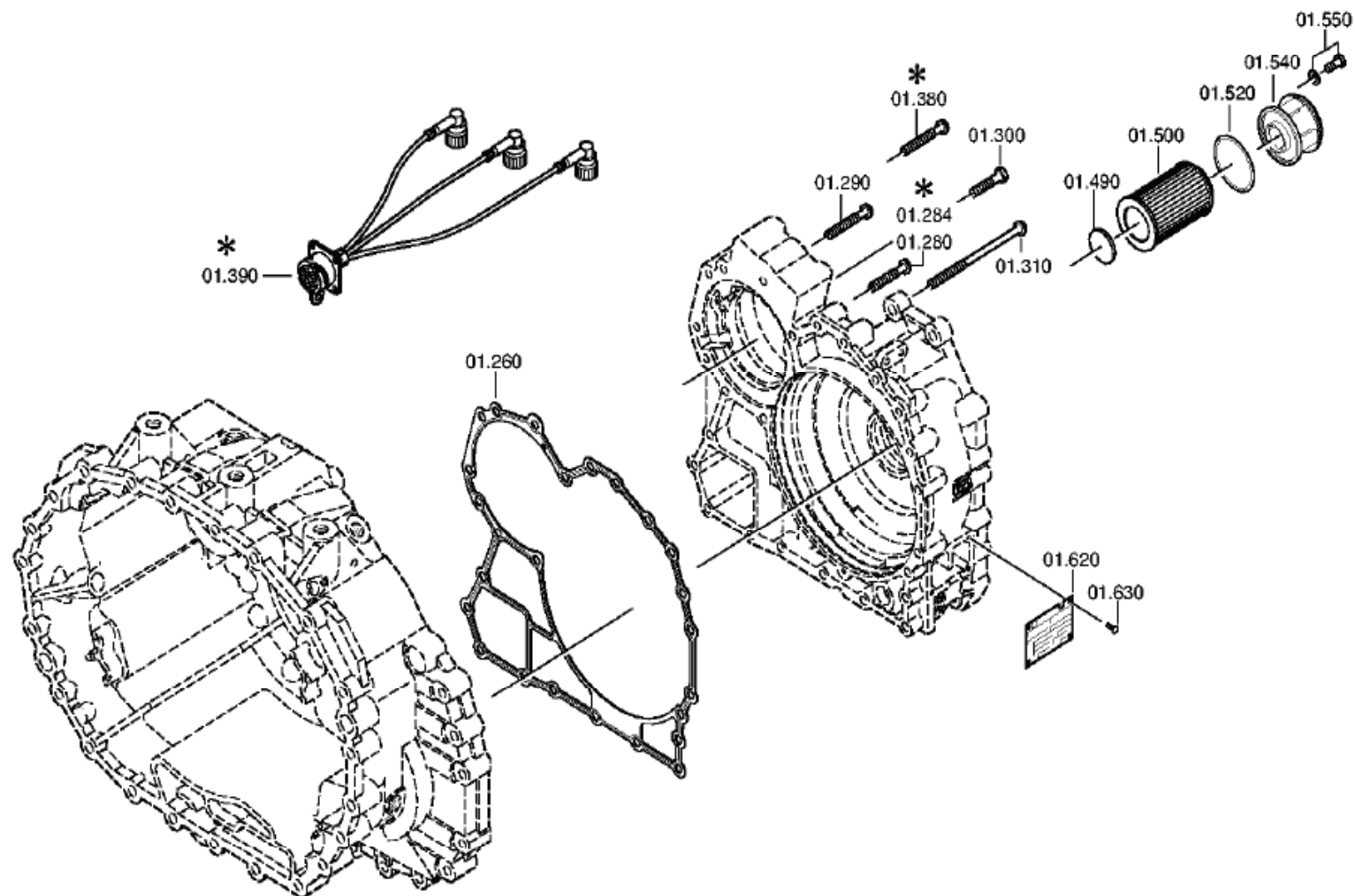
泵
PUMP



泵
PUMP

序号 Item No.	零件代码 Part No	中文名称 Chinese Name	英文名称 English Name	数量 Quantity	单位 Unit	备注 Notes
10	217004457	泵壳体	PUMP HOUSING	1		
20	217004427	针形套筒	NEEDLE SLEEVE	1		12X18X12
40	217004432	O型密封圈	O-RING	1		63X3
50	217004482	环形齿轮	RING GEAR	1		
60	217004508	轴	SHAFT	1		KPL.
80	217004433	O型密封圈	O-RING	1		37X3
90	217005003	六角头螺栓	HEXAGON BOLT	1		M8X80 M8X80
94	217005003	六角头螺栓	HEXAGON BOLT	1		M8X80 M8X80
100	217005004	六角头螺栓	HEXAGON BOLT	1		M8X30
104	217005003	六角头螺栓	HEXAGON BOLT	1		M8X80 M8X80
110	217005003	六角头螺栓	HEXAGON BOLT	1		M8X80 M8X80
120	217004324	筒形销	CYLINDRICAL PIN	2		8X14

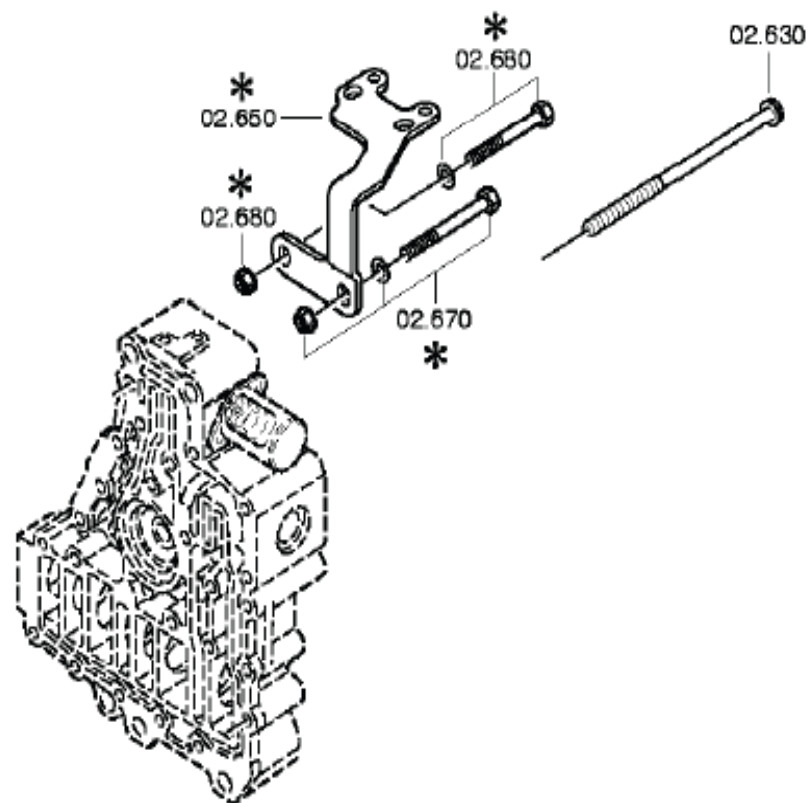
壳体
HOUSING



壳体
HOUSING

序号 Item No.	零件代码 Part No	中文名称 Chinese Name	英文名称 English Name	数量 Quantity	单位 Unit	备注 Notes
260	217003080	垫圈	GASKET	1		INTARDER ASTRONIC
280	217005005	六角头螺栓	HEXAGON BOLT	16		M10X60
290	217006936	六角头螺栓	HEXAGON BOLT	4		M10X80
300	0636100413	六角头螺栓	HEXAGON BOLT	2		M10X40
310	217006938	六角头螺栓	HEXAGON BOLT	3		M10X140 M10X140
490	217003819	磁石	MAGNET	1		
500	217003764	屏幕输入	SCREEN INSERT	1		KPL
520	217003154	O型密封圈	O-RING	1		70X3
540		盖子	COVER	1		IT FILTER*GDSL/GSLS
	217003067	盖子	COVER	1		
	217003068	盖子	COVER	1		
550	217006939	六角头螺栓	HEXAGON BOLT	1		M8X20

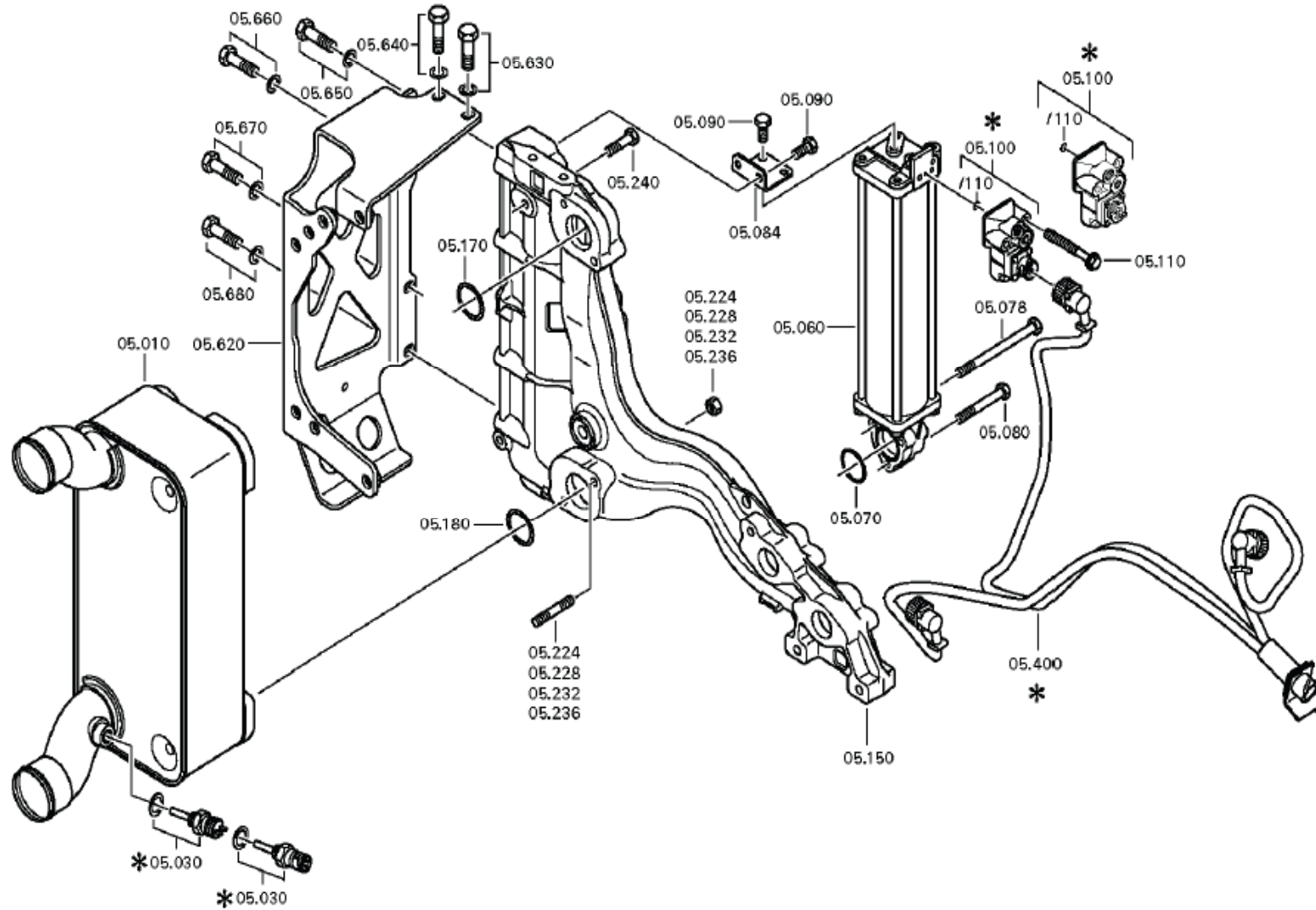
控制单元
CONTROL UNIT



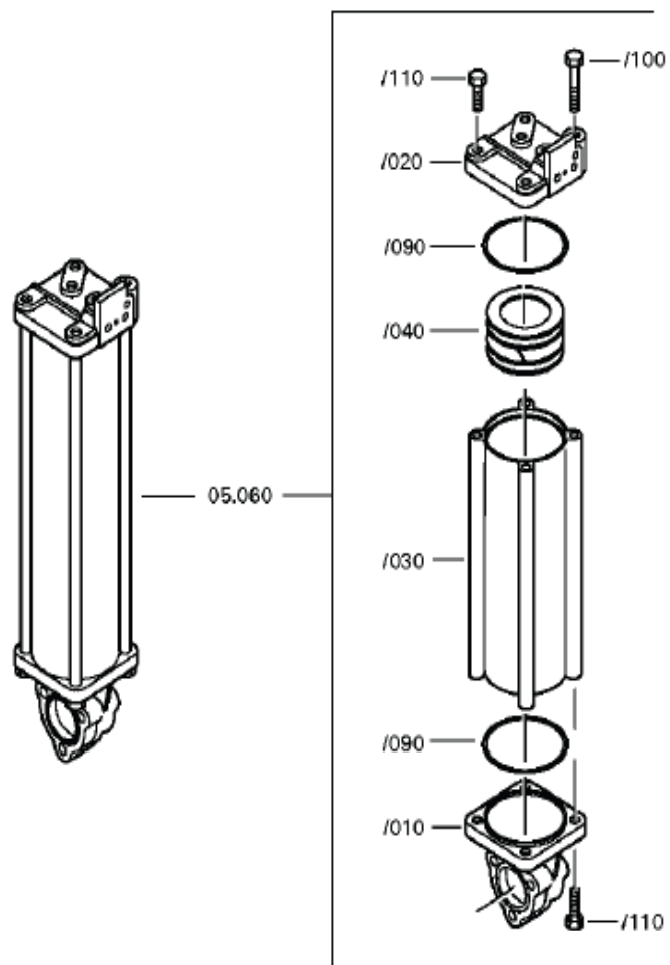
控制单元
CONTROL UNIT

序号 Item No.	零件代码 Part No	中文名称 Chinese Name	英文名称 English Name	数量 Quantity	单位 Unit	备注 Notes
630	217005007	六角头螺栓	HEXAGON BOLT	1		M10X110 M10X110

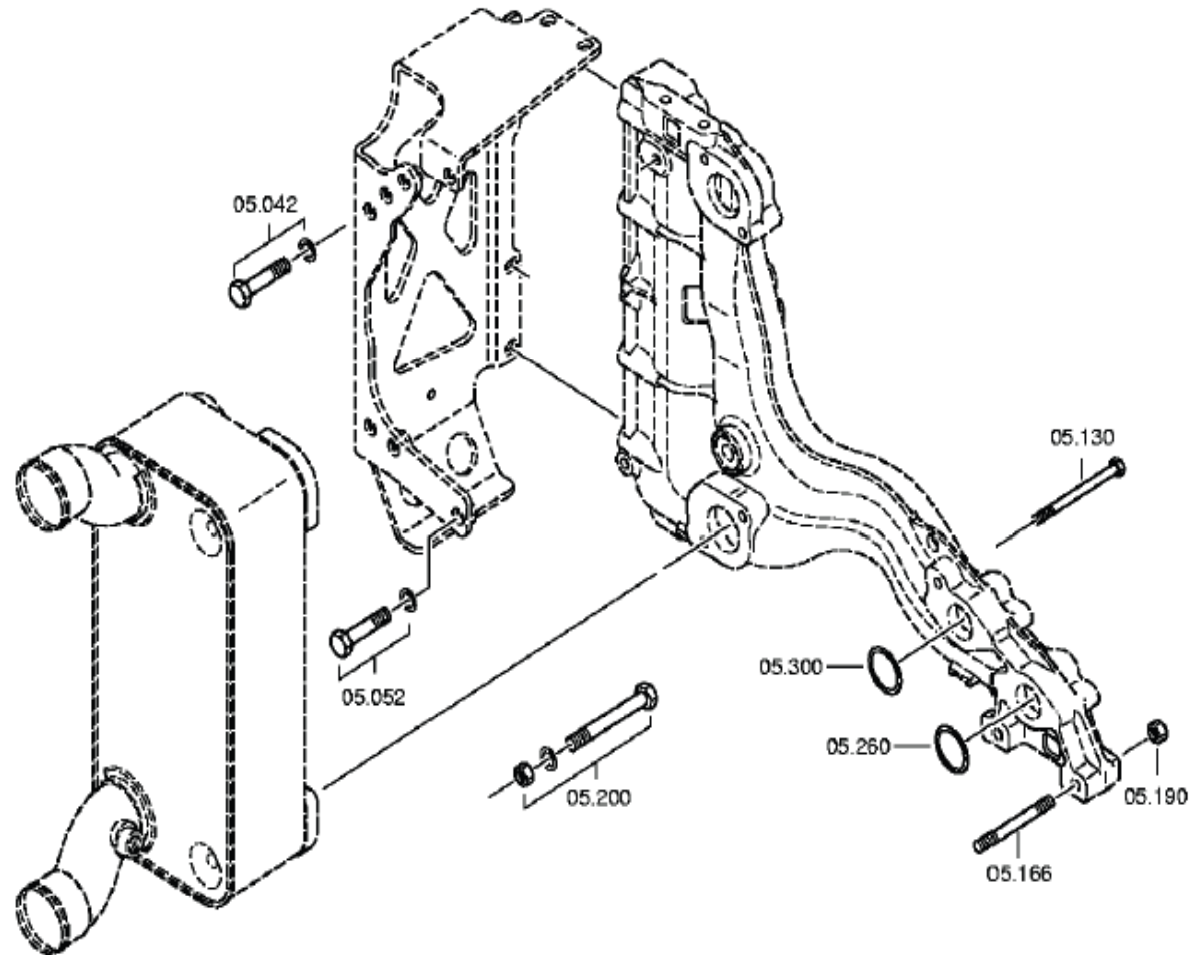
热交换器
HEAT EXCHANGER



热交换器
HEAT EXCHANGER



热交换器
HEAT EXCHANGER



热交换器
HEAT EXCHANGER

序号 Item No.	零件代码 Part No	中文名称 Chinese Name	英文名称 English Name	数量 Quantity	单位 Unit	备注 Notes
10	217004356	热交换器	HEAT EXCHANGER	1		KPL.
30		温度传感器	TEMPERATURE SENSOR	1		BAJONETT
	217004618	温度传感器	TEMPERATURE SENSOR	1		BAJONETT
	217004501	密封环	SEALING RING	1		18X22
42	217005015	六角头螺栓	HEXAGON BOLT	3		M12X60
52	217005015	六角头螺栓	HEXAGON BOLT	2		M12X60
60	217004271	蓄电池	ACCUMULATOR	1		KPL.
/10	217004316	盖子	COVER	1		ENTHALT. IN 0501 20946
/20	217004620	阀门托架	VALVE CARRIER	1		ENTHALT. IN 0501 20946
/30	217004444	管子	TUBE	1		ENTHALT. IN 0501 20946
/40	217005017	活塞	PISTON	1		KPL.
/90	217004435	O型密封圈	O-RING	2		80X3
/100	217003566	六角头螺栓	HEXAGON BOLT	1		M10X60
/110	217003575	六角头螺栓	HEXAGON BOLT	7		M10X35
70	217004436	O型密封圈	O-RING	1		38X3
78	217005298	六角头螺栓	HEXAGON BOLT	1		M8X103 M8X103
80	217005008	六角头螺栓	HEXAGON BOLT	2		M8X60
84	217004331	固定板	FIXING PLATE	1		
90	217004379	六角头螺栓	HEXAGON BOLT	4		M8X18
100	217004619	阀门	VALVE	1		BAJONETT
/110	217003646	O型密封圈	O-RING	1		7X2
110	217005008	六角头螺栓	HEXAGON BOLT	2		M8X60
130	217005009	六角头螺栓	HEXAGON BOLT	1		M8X115
150		集油室	OIL FEEDHOUSG	1		

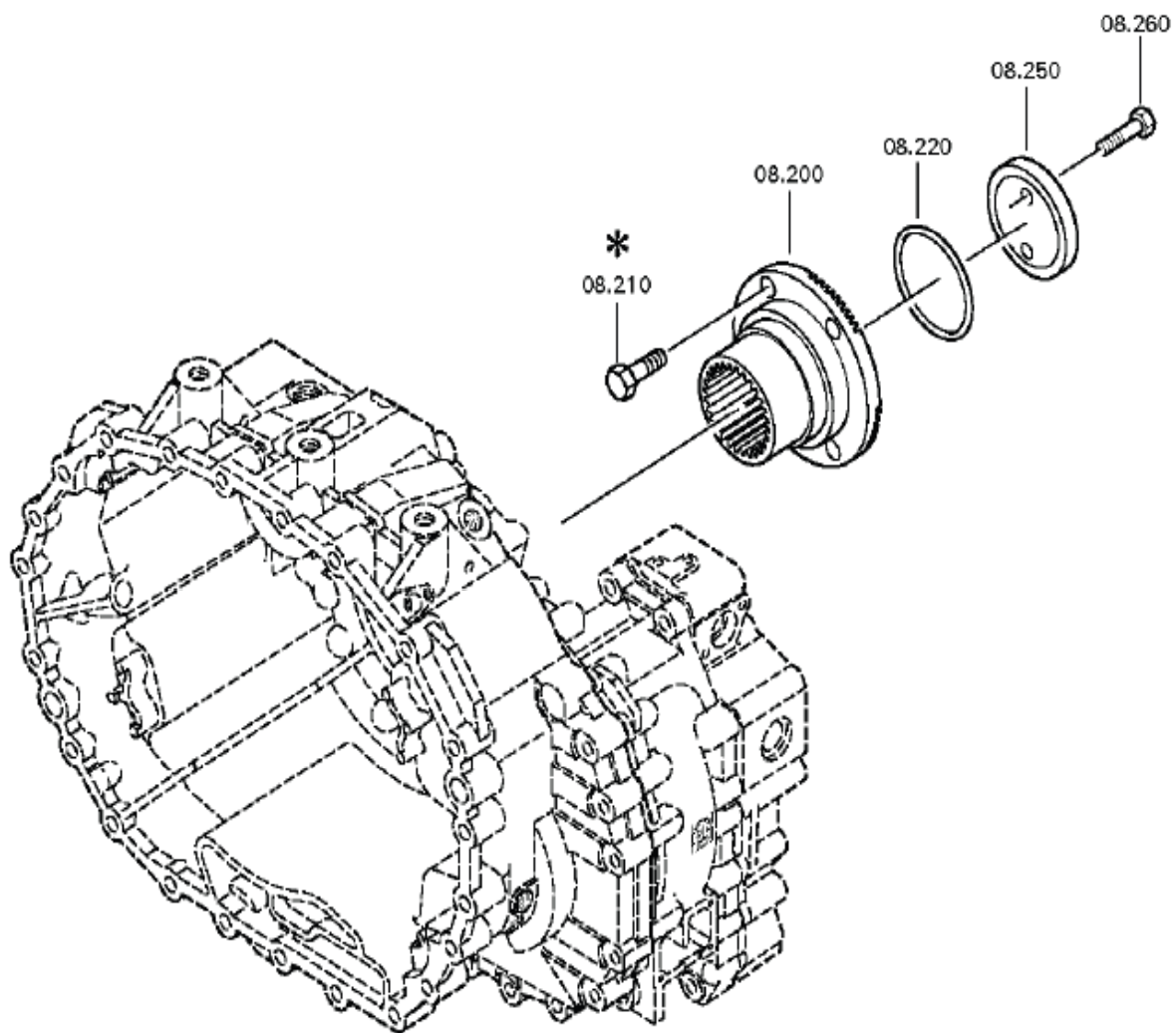
热交换器
HEAT EXCHANGER

序号 Item No.	零件代码 Part No	中文名称 Chinese Name	英文名称 English Name	数量 Quantity	单位 Unit	备注 Notes
	217003151	集油室	OIL FEEDHOUSG	1		KPL. *ASTRO IT
166	217004601	螺柱	STUD	2		M12X120
170	217004437	O型密封圈	O-RING	1		50X4
180	217004437	O型密封圈	O-RING	1		50X4
190		六角螺母	HEXAGON NUT	2		M12
	217004395	六角螺母	HEXAGON NUT	2		M12
200		螺栓帽	BOLT+NUT	2		M12X130
	217005010	六角头螺栓	HEXAGON BOLT	2		M12X130
	217004395	六角螺母	HEXAGON NUT	2		M12
224		螺栓帽	BOLT+NUT	1		M8X50
	217005031	螺柱	STUD	1		M8X50
	217005016	六角螺母	HEXAGON NUT	1		M8
228		螺栓帽	BOLT+NUT	1		M8X50
	217005031	螺柱	STUD	1		M8X50
	217005016	六角螺母	HEXAGON NUT	1		M8
232		螺栓帽	BOLT+NUT	1		M8X50
	217005031	螺柱	STUD	1		M8X50
	217005016	六角螺母	HEXAGON NUT	1		M8
236		螺栓帽	BOLT+NUT	1		M8X50
	217005031	螺柱	STUD	1		M8X50
	217005016	六角螺母	HEXAGON NUT	1		M8
240		六角头螺栓	HEXAGON BOLT	1		M8X30
	217005004	六角头螺栓	HEXAGON BOLT	1		M8X30
	217003924	垫圈	WASHER	1		

热交换器
HEAT EXCHANGER

序号 Item No.	零件代码 Part No	中文名称 Chinese Name	英文名称 English Name	数量 Quantity	单位 Unit	备注 Notes
260	217004433	O型密封圈	O-RING	1		37X3
300	217004433	O型密封圈	O-RING	1		37X3
400	217004284	拉线线缆	CABLE IT	1		ZVK INT 7POL BUS WTED
620	217005299	固定板	FIXING PLATE	1		KPL. WT-ADAPT. IT-BUS
630		六角头螺栓	HEXAGON BOLT	1		M10X35
	217003575	六角头螺栓	HEXAGON BOLT	1		M10X35
	217003926	垫圈	WASHER	1		
640		六角头螺栓	HEXAGON BOLT	1		M10X35
	217003575	六角头螺栓	HEXAGON BOLT	1		M10X35
	217003926	垫圈	WASHER	1		
650		六角头螺栓	HEXAGON BOLT	1		M10X35
	217003575	六角头螺栓	HEXAGON BOLT	1		M10X35
	217003926	垫圈	WASHER	1		
660		六角头螺栓	HEXAGON BOLT	1		M10X35
	217003575	六角头螺栓	HEXAGON BOLT	1		M10X35
	217003926	垫圈	WASHER	1		
670		六角头螺栓	HEXAGON BOLT	1		M10X35
	217003575	六角头螺栓	HEXAGON BOLT	1		M10X35
	217003926	垫圈	WASHER	1		
680		六角头螺栓	HEXAGON BOLT	1		M10X35
	217003575	六角头螺栓	HEXAGON BOLT	1		M10X35
	217003926	垫圈	WASHER	1		

输出端
OUTPUT



输出端
OUTPUT

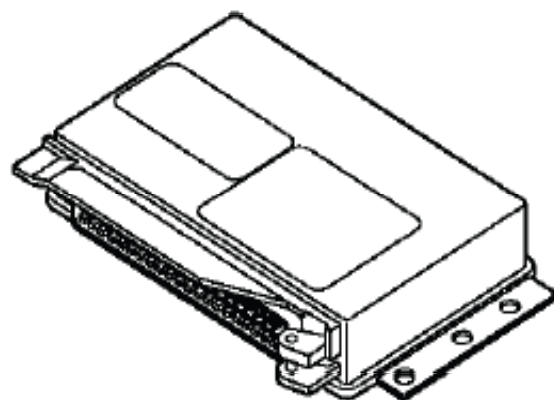
序号 Item No.	零件代码 Part No	中文名称 Chinese Name	英文名称 English Name	数量 Quantity	单位 Unit	备注 Notes
200	217003158	输出法兰盘	OUTPUT FLANGE	1		
210		六角头螺栓	HEXAGON BOLT	4		SCHUTZKAPPEM14X1, 5X50
	217003118	六角头螺栓	HEXAGON BOLT	4		M14X1, 5X50
220	217003155	O型密封圈	O-RING	1		82X4
250	217003324	垫圈	WASHER	1		
260	217006160	六角头螺栓	HEXAGON BOLT	2		M12X60



检验程序

INSPECTION PROGRAM

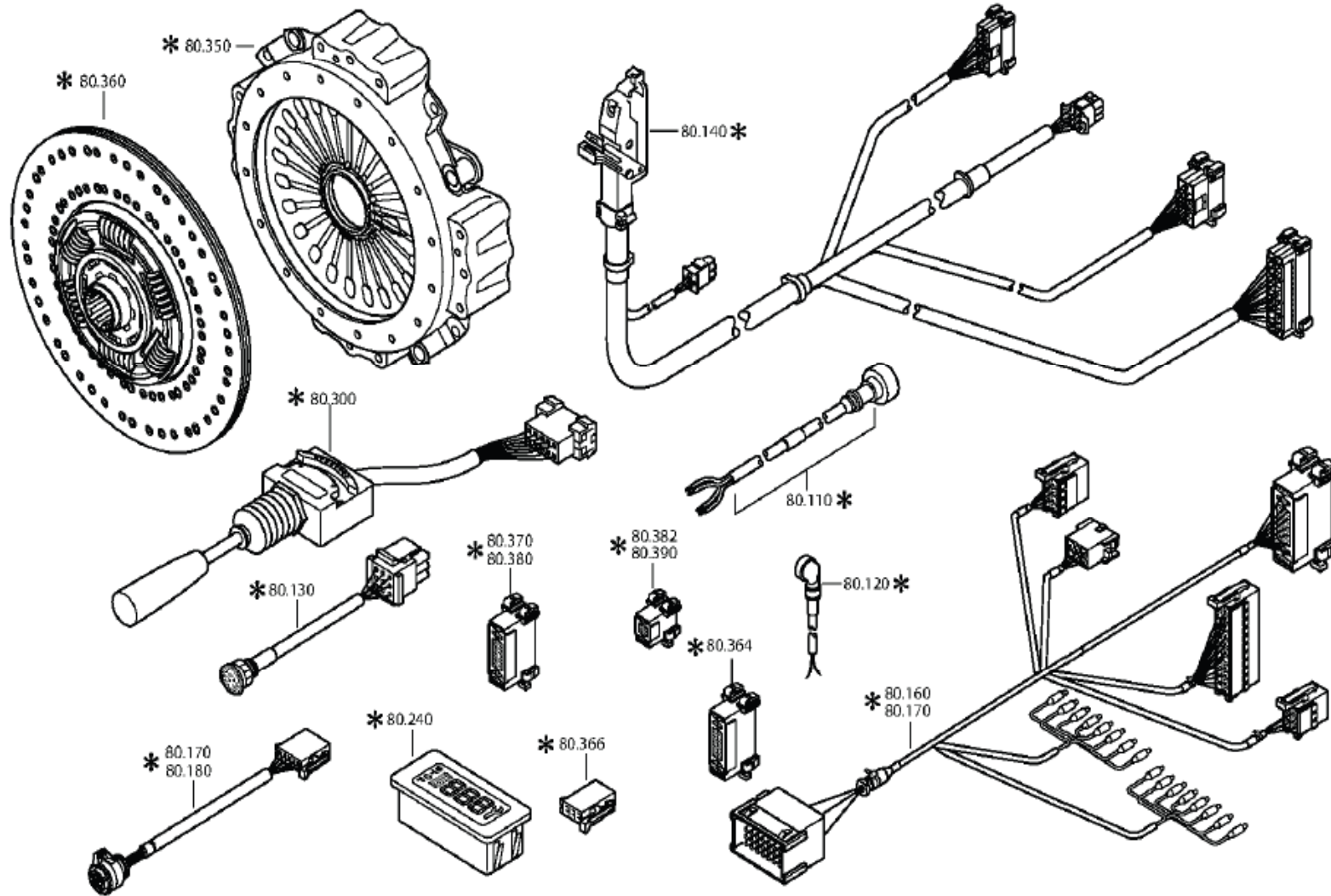
序号 Item No.	零件代码 Part No	中文名称 Chinese Name	英文名称 English Name	数量 Quantity	单位 Unit	备注 Notes
	6009397501	检验程序	INSPECTION PROGRAM	1		12G OD PAK9



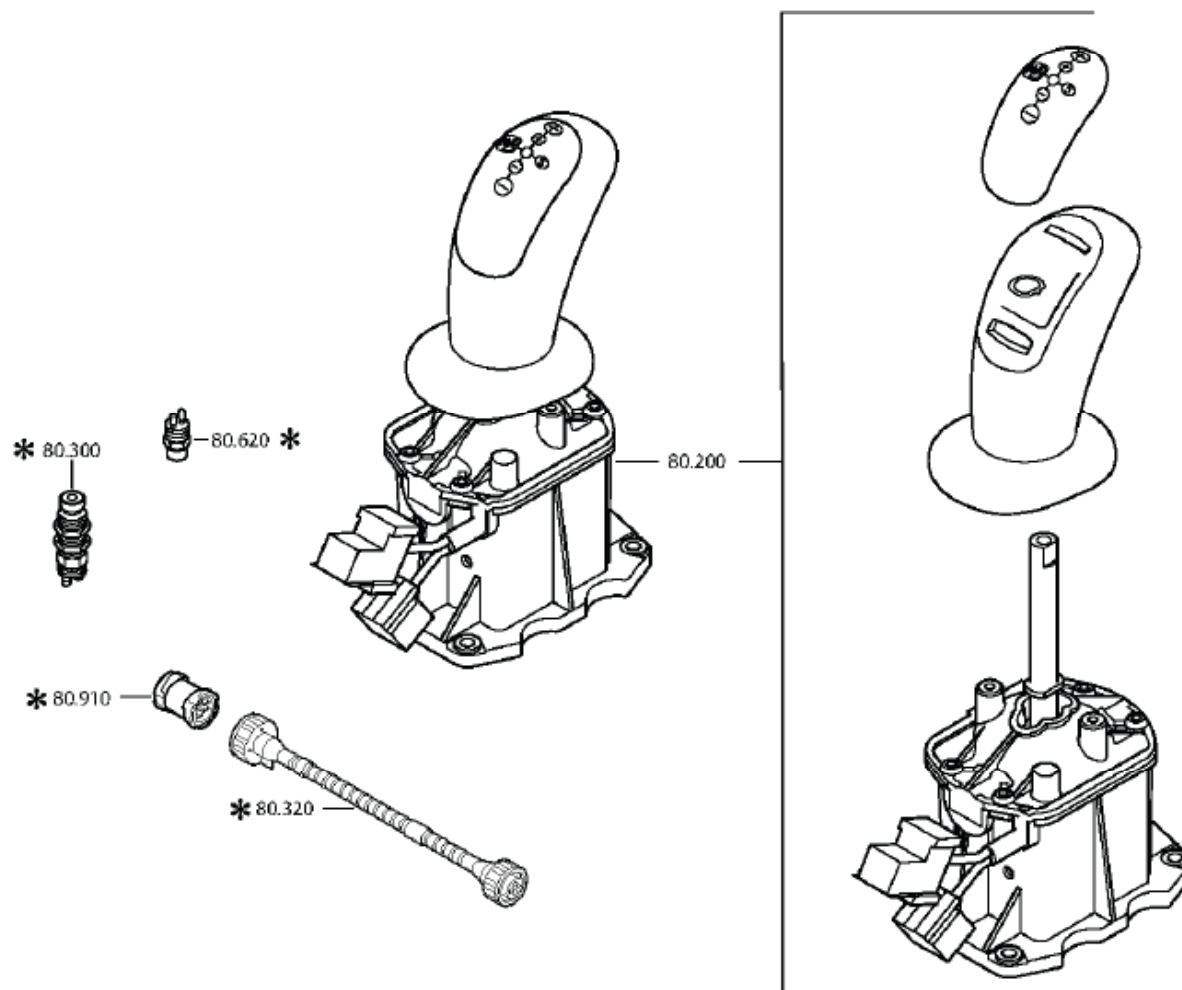
电脑盒
EST 42

序号 Item No.	零件代码 Part No	中文名称 Chinese Name	英文名称 English Name	数量 Quantity	单位 Unit	备注 Notes
	217003078	电脑盒	EST 42	1		INTARDER*BREMSOMATSTE

配飾
ACCESSORIES



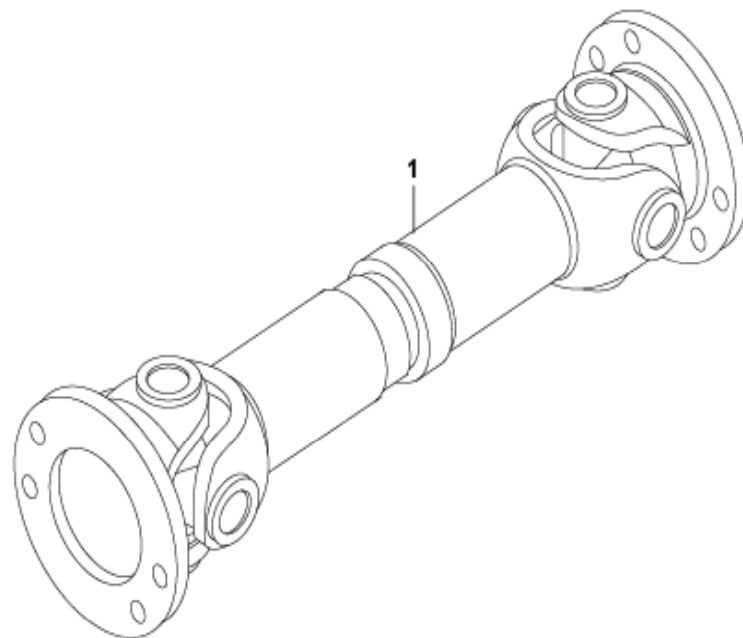
配饰
ACCESSORIES



配饰
ACCESSORIES

序号 Item No.	零件代码 Part No	中文名称 Chinese Name	英文名称 English Name	数量 Quantity	单位 Unit	备注 Notes
140	217004285	拉线线缆	CABLE IT	1		INTARDER KABINE EST42
160	217003042	线缆	CABLE ASTRONIC	1		AS 2 BUS STANDARD
170	217003044	拉线线缆	CABLE IT	1		VERBIND. KABEL 15, 0M I
180	217003043	线缆	CABLE ASTRONIC	1		ASTRONIC 2 17, 0M/MTN
200	217008508	自动操纵机构	FS ASTRONIC	1		
240	217006942	显示器	DISPLAY	1		
300	217004603	交换器	SWITCH	1		KPL.
350	217003177	压力板	PRESSURE PLATE	1		MFZ 430
360	217003053	离合器盘	CLUTCH DISC	1		
364	217003172	插销组件	PLUG KIT	1		STECKER 22POL JPT ST.
366	217003712	插销组件	PLUG KIT	1		STECKER 6POL JPT ST
370	217003713	插销组件	PLUG KIT	1		STECKER 22POL ST JPT
380	217003173	插销组件	PLUG KIT	1		STECKER 8POL ST JPT

传动轴总成
Propeller shaft assembly



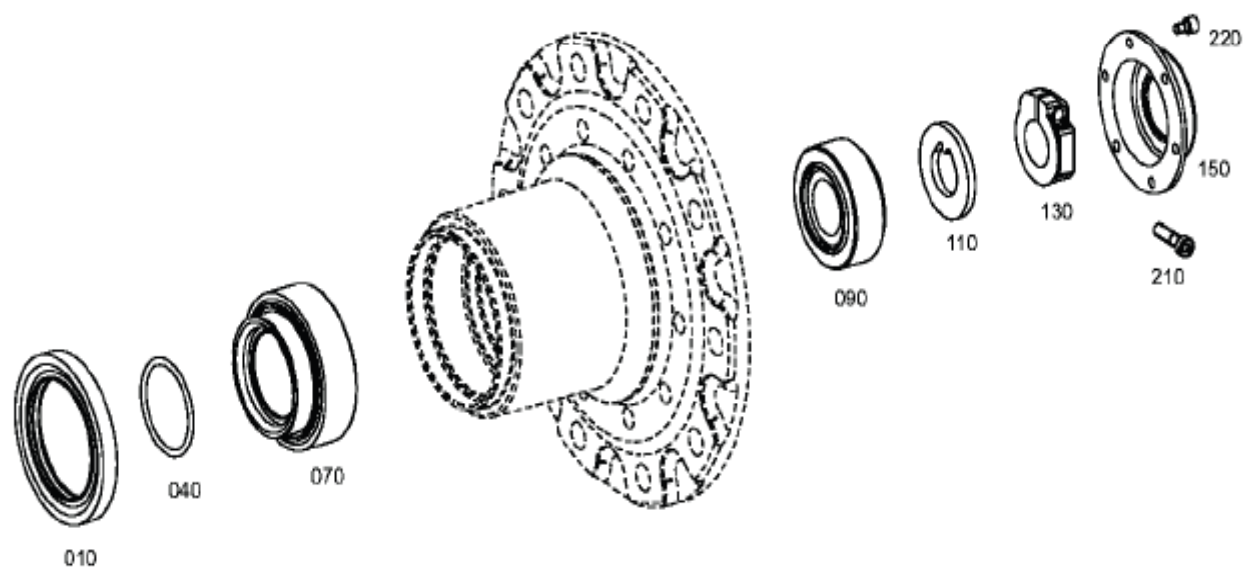
传动轴总成
Propeller shaft assembly

序号 Item No.	零件代码 Part No	中文名称 Chinese Name	英文名称 English Name	数量 Quantity	单位 Unit	备注 Notes
1	222102340	传动轴总成	Propeller shaft assy	1		

前桥总成 230200720B

输出轴

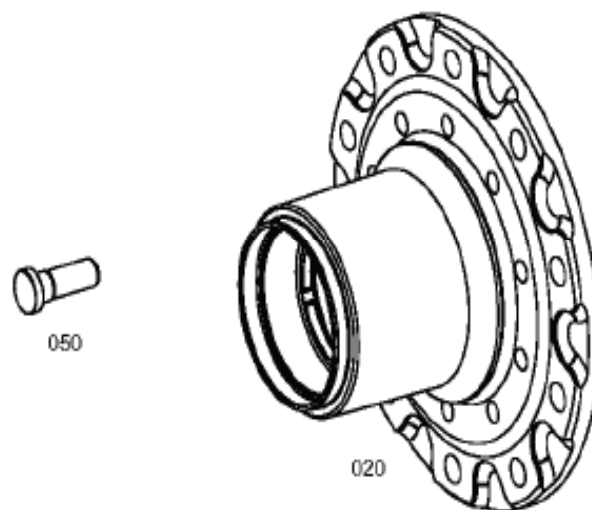
Output Shaft



输出轴
Output Shaft

序号 Item No.	零件代码 Part No	中文名称 Chinese Name	英文名称 English Name	数量 Quantity	单位 Unit	备注 Notes
10	230001412	轴密封	SHAFT SEAL	1		100X140XX15 A/BSW
40	230001315	O型密封圈	O-RING	1		70X7
70	230001415	滚动轴承	TAROLLBEARING	1		69, 995X130, 000X57, 000
90	230001416	滚动轴承	TAROLLBEARING	1		45, 000X100, 000X38, 250
110	230001446	支撑垫片	SUPPORT SHIM	1		
130	230001447	锁紧螺母	LOCKING NUT	1		
150	224002493	盖子	COVER	1		
210	230001330	平头螺丝	CAP SCREW	1		M10X40
220	230001326	平头螺丝	CAP SCREW	6		M8X12

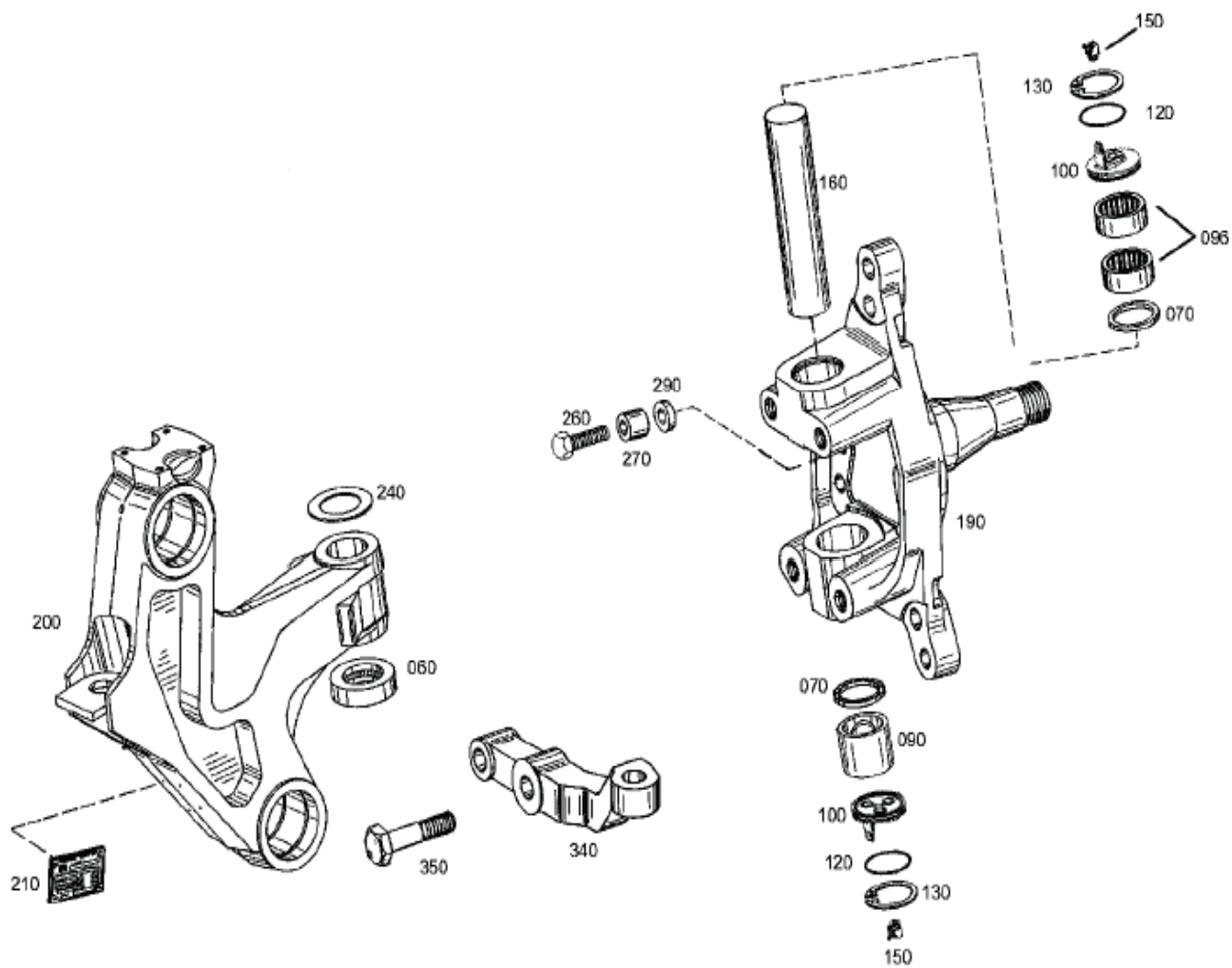
输出轴
Output Shaft



输出轴
Output Shaft

序号 Item No.	零件代码 Part No	中文名称 Chinese Name	英文名称 English Name	数量 Quantity	单位 Unit	备注 Notes
20	224002495	轮毂	HUB	1		D-Teil
50	230001410	轮胎螺栓	WHEEL BOLT	10		

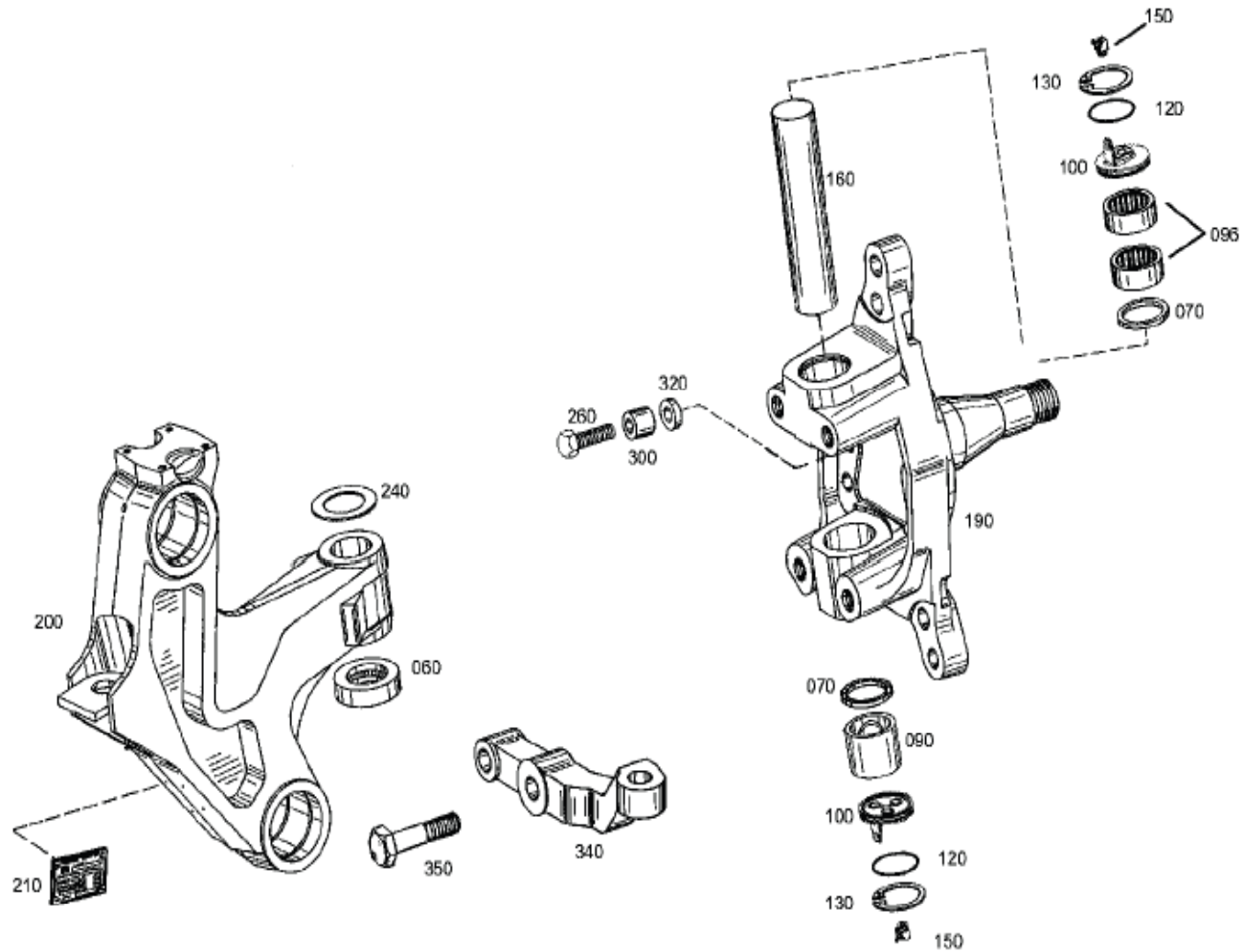
连接壳体
Joint Housing



连接壳体
Joint Housing

序号 Item No.	零件代码 Part No	中文名称 Chinese Name	英文名称 English Name	数量 Quantity	单位 Unit	备注 Notes
60	230001413	滚动轴承	AXROLLER BEAR	1		50X78X22
70	230001402	密封圈	SEALING RING	2		50, 000X58, 000X4, 000
90	230001399	衬套	BUSH	1		
96	230001852	针形套筒	NEEDLE SLEEVE	2		50, 000C58, 000X25, 000
100	230001435	密封圈固定器	SEALING HOLDER	2		
120	230001317	O型密封圈	O-RING	2		53X3
130	217006858	挡圈	RETAINING RING	2		58X2
150	230001314	润滑油嘴	LUBRICNIPPLE	4		
160	230001436	主销	PIVOT PIN	1		
190	230001837	转向节	STEERING KNUCKLE	1		D-Teil
200	230001443	转向节载体	KNUCKLE CARRIER	1		
210	230001401	铭牌	TYPE PLATE	1		ZF-Standard/Passau
240	230001346	垫圈	WASHER	1		S=2, 45
260	230001409	止动螺钉	STOP SCREW	1		M18X60
300	230001390	止动衬套	STOP BUSH	1		A=28
320	230001838	止推片	STOP WASHER	1		A=2, 00
330	230001444	起轨杆	TRACK LEVER	1		
350	230001320	六角头螺栓	HEXAGON BOLT	2		M22X90

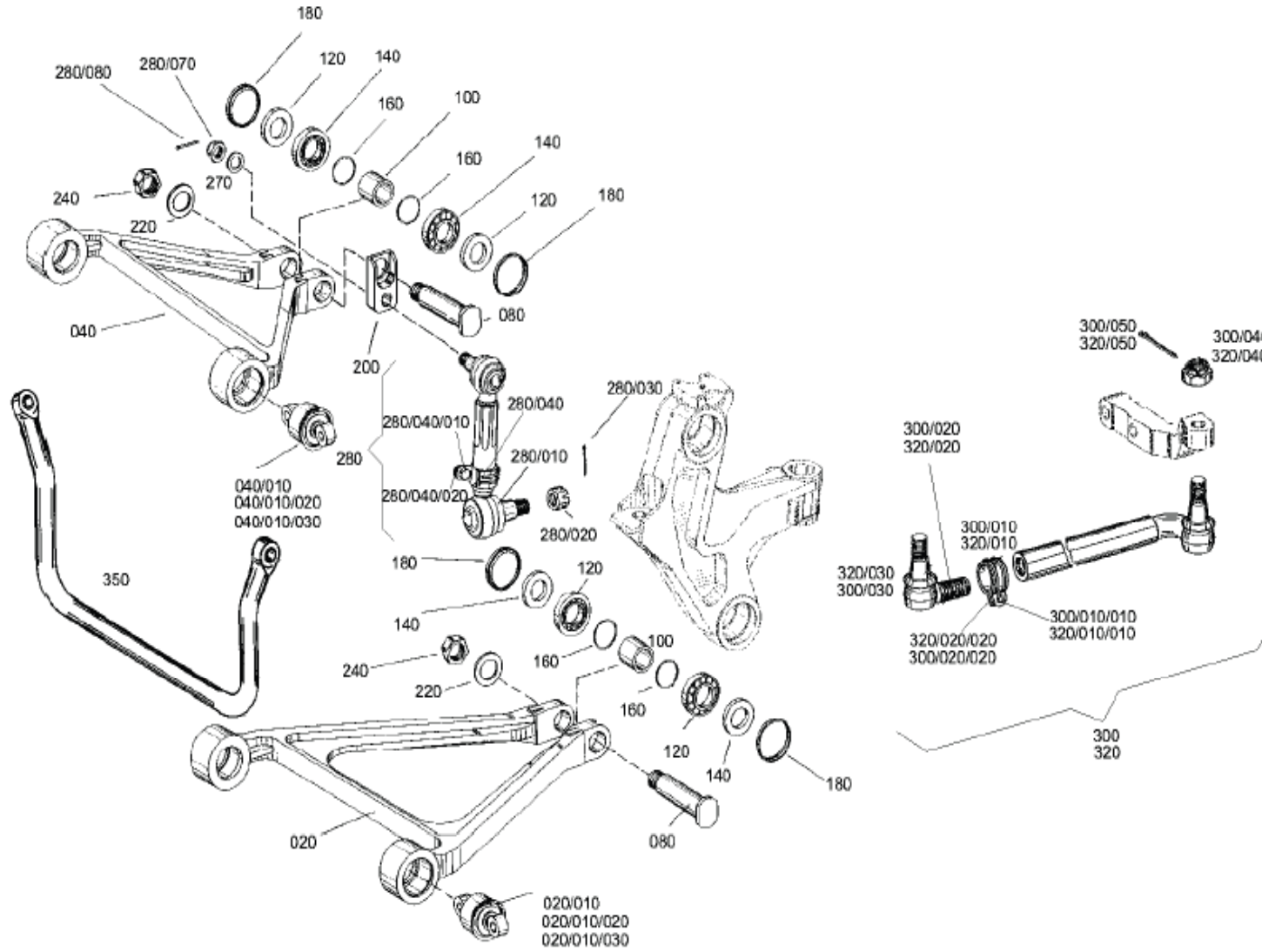
连接壳体
Joint Housing



连接壳体
Joint Housing

序号 Item No.	零件代码 Part No	中文名称 Chinese Name	英文名称 English Name	数量 Quantity	单位 Unit	备注 Notes
60	230001413	滚动轴承	AXROLLER BEAR	1		50X78X22
70	230001402	密封圈	SEALING RING	2		50, 000X58, 000X4, 000
90	230001399	衬套	BUSH	1		
96	230001852	针形套筒	NEEDLE SLEEVE	2		50, 000C58, 000X25, 000
100	230001435	密封圈固定器	SEALING HOLDER	2		
120	230001317	O型密封圈	O-RING	2		53X3
130	217006858	挡圈	RETAINING RING	2		58X2
150	230001314	润滑油嘴	LUBRICNIPPLE	4		
160	230001436	主销	PIVOT PIN	1		
190	230001837	转向节	STEERING KNUCKLE	1		D-Teil
200	230001443	转向节载体	KNUCKLE CARRIER	1		
210	230001401	铭牌	TYPE PLATE	1		ZF-Standard/Passau
240	230001346	垫圈	WASHER	1		S=2, 45
260	230001409	止动螺钉	STOP SCREW	1		M18X60
300	230001390	止动衬套	STOP BUSH	1		A=28
320	230001838	止推片	STOP WASHER	1		A=2, 00
340	230001445	起轨杆	TRACK LEVER	1		
350	230001320	六角头螺栓	HEXAGON BOLT	2		M22X90

操纵臂 CONTROL ARM



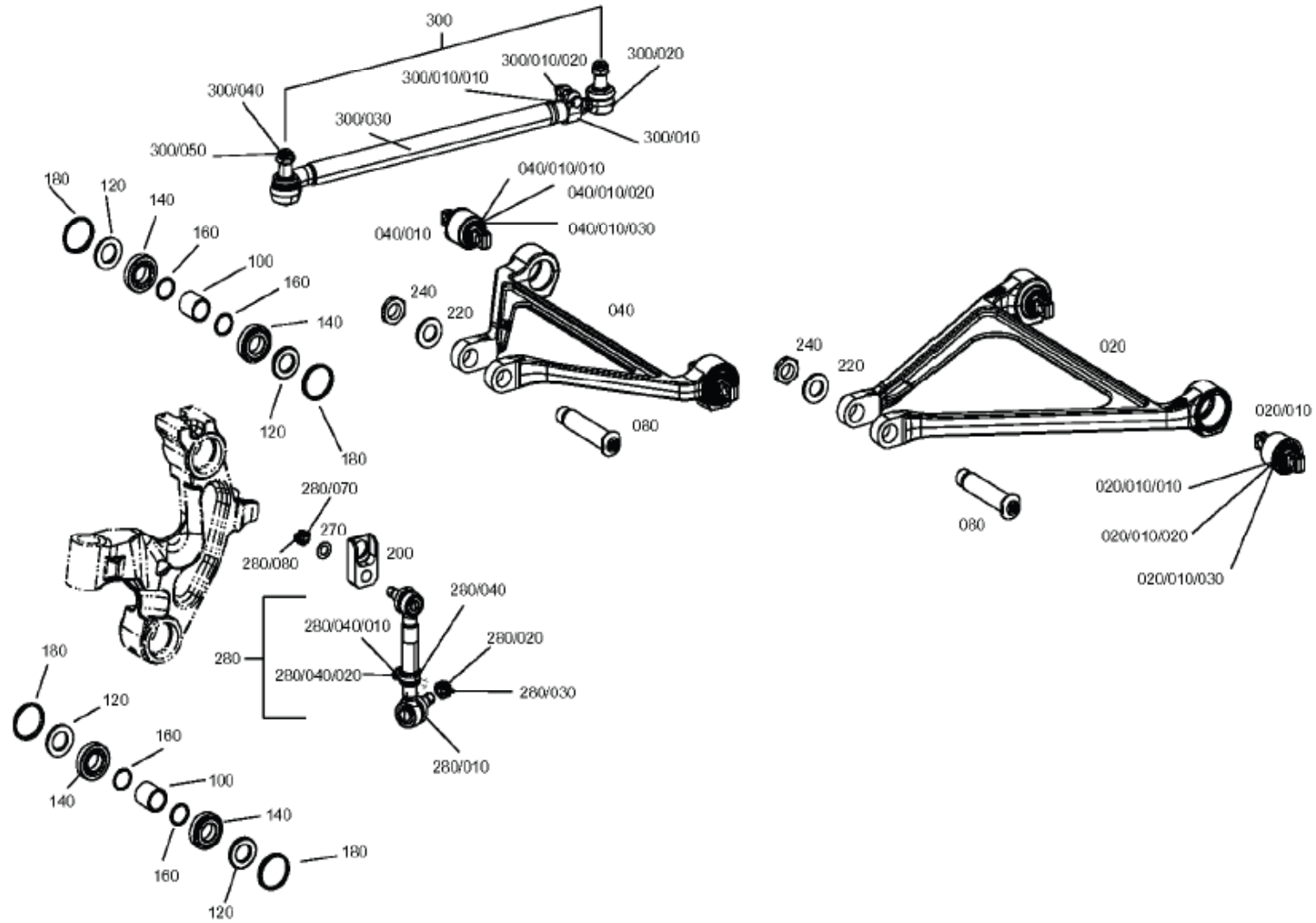
操纵臂
CONTROL ARM

序号 Item No.	零件代码 Part No	中文名称 Chinese Name	英文名称 English Name	数量 Quantity	单位 Unit	备注 Notes
20	230001278	操纵臂	CONTROL ARM	1		
/10	230001293	橡胶衬套	RUBBER BUSHING	1		
//10	230002343	球形件	SPHERICAL PIECE	1		
//20	230001301	垫圈	SPACER RING	1		
//30	230001300	挡圈	RETAINING RING	1		
40	230001279	操纵臂	CONTROL ARM	1		
/10	230001293	橡胶衬套	RUBBER BUSHING	1		
//10	230002343	球形件	SPHERICAL PIECE	1		
//20	230001301	垫圈	SPACER RING	1		
//30	230001300	挡圈	RETAINING RING	1		
80	230002049	销	PIN	2		
100	230001440	衬套	BUSH	2		
120	230001441	密封圈	RING	4		
140	230001414	滚子轴承	ROLLER BEARING	4		40, 000X80, 000X19, 950
160	230001360	垫片	SHIM	4		S=1, 45
180	230001403	刮削器	SCRAPER	4		70X80X6
200	230001442	销紧装置	FIXING DEVICE	1		
220	230001339	垫片	WASHER	1		
240	230002344	六角螺母	HEXAGON NUT	2		M36X1, 5
270	230001310	弹簧垫圈	SPRING WASHER	1		
280	230002025	拉杆	TIE ROD	1		
/10	230002051	球接头	BALL JOINT	1		
/20	230001333	槽形螺母	CASTLE NUT	1		M24X1, 5
/30	230001312	开口销	SPLIT PIN	1		5X40

操纵臂
CONTROL ARM

序号 Item No.	零件代码 Part No	中文名称 Chinese Name	英文名称 English Name	数量 Quantity	单位 Unit	备注 Notes
/40	230002033	夹具	CLAMP	1		
//10	230002043	六角头螺栓	HEXAGON BOLT	1		M10X1X50
//20	230002046	锁紧螺母	LOCKING NUT	1		M10X1
/70	230002044	槽形螺母	CASTLE NUT	1		M20X1, 5
/80	230001313	开口销	SPLIT PIN	1		4X36
300	230002023	拉杆	TIE ROD	1		
/10	230002031	夹具	CLAMP	1		
//10	224000410	六角头螺栓	HEXAGON BOLT	1		M14X1, 5X80
//20	224000450	六角螺母	HEXAGON NUT	1		M14X1, 5
/20	224000370	螺纹套筒	THREADED SLEEVE	1		
/30	224000415	球接头	BALL JOINT	1		
/40	230001332	槽形螺母	CASTLE NUT	1		M24X1, 5
/50	230001312	开口销	SPLIT PIN	1		5X40
350	230001449	稳定装置	STABILIZER	1		

操纵臂 CONTROL ARM



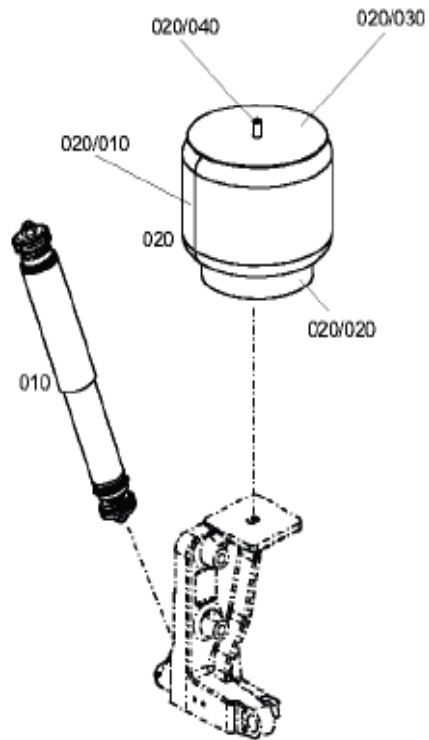
操纵臂
CONTROL ARM

序号 Item No.	零件代码 Part No	中文名称 Chinese Name	英文名称 English Name	数量 Quantity	单位 Unit	备注 Notes
20	230001278	操纵臂	CONTROL ARM	1		
/10	230001293	橡胶衬套	RUBBER BUSHING	1		
//10	230002343	球形件	SPHERICAL PIECE	1		
//20	230001301	垫圈	SPACER RING	1		
//30	230001300	挡圈	RETAINING RING	1		
40	230001279	操纵臂	CONTROL ARM	1		
/10	230001293	橡胶衬套	RUBBER BUSHING	1		
//10	230002343	球形件	SPHERICAL PIECE	1		
//20	230001301	垫圈	SPACER RING	1		
//30	230001300	挡圈	RETAINING RING	1		
80	230002049	销	PIN	2		
100	230001440	衬套	BUSH	2		
120	230001441	密封圈	RING	4		
140	230001414	滚子轴承	ROLLER BEARING	4		40, 000X80, 000X19, 950
160	230001360	垫片	SHIM	4		S=1, 45
180	230001403	刮削器	SCRAPER	4		70X80X6
200	230001442	销紧装置	FIXING DEVICE	1		
220	230001339	垫片	WASHER	1		
240	230002344	六角螺母	HEXAGON NUT	2		M36X1, 5
270	230001310	弹簧垫圈	SPRING WASHER	1		
280	230002025	拉杆	TIE ROD	1		
/10	230002051	球接头	BALL JOINT	1		
/20	230001333	槽形螺母	CASTLE NUT	1		M24X1, 5
/30	230001312	开口销	SPLIT PIN	1		5X40

操纵臂
CONTROL ARM

序号 Item No.	零件代码 Part No	中文名称 Chinese Name	英文名称 English Name	数量 Quantity	单位 Unit	备注 Notes
/40	230002033	夹具	CLAMP	1		
//10	230002043	六角头螺栓	HEXAGON BOLT	1		M10X1X50
//20	230002046	锁紧螺母	LOCKING NUT	1		M10X1
/70	230002044	槽形螺母	CASTLE NUT	1		M20X1, 5
/80	230001313	开口销	SPLIT PIN	1		4X36
320	230002024	拉杆	TIE ROD	1		
/10	230002031	夹具	CLAMP	1		
//10	224000410	六角头螺栓	HEXAGON BOLT	1		M14X1, 5X80
//20	224000450	六角螺母	HEXAGON NUT	1		M14X1, 5
/20	224000370	螺纹套筒	THREADED SLEEVE	1		
/30	224000415	球接头	BALL JOINT	1		
/40	230001332	槽形螺母	CASTLE NUT	1		M24X1, 5
/50	230001312	开口销	SPLIT PIN	1		5X40

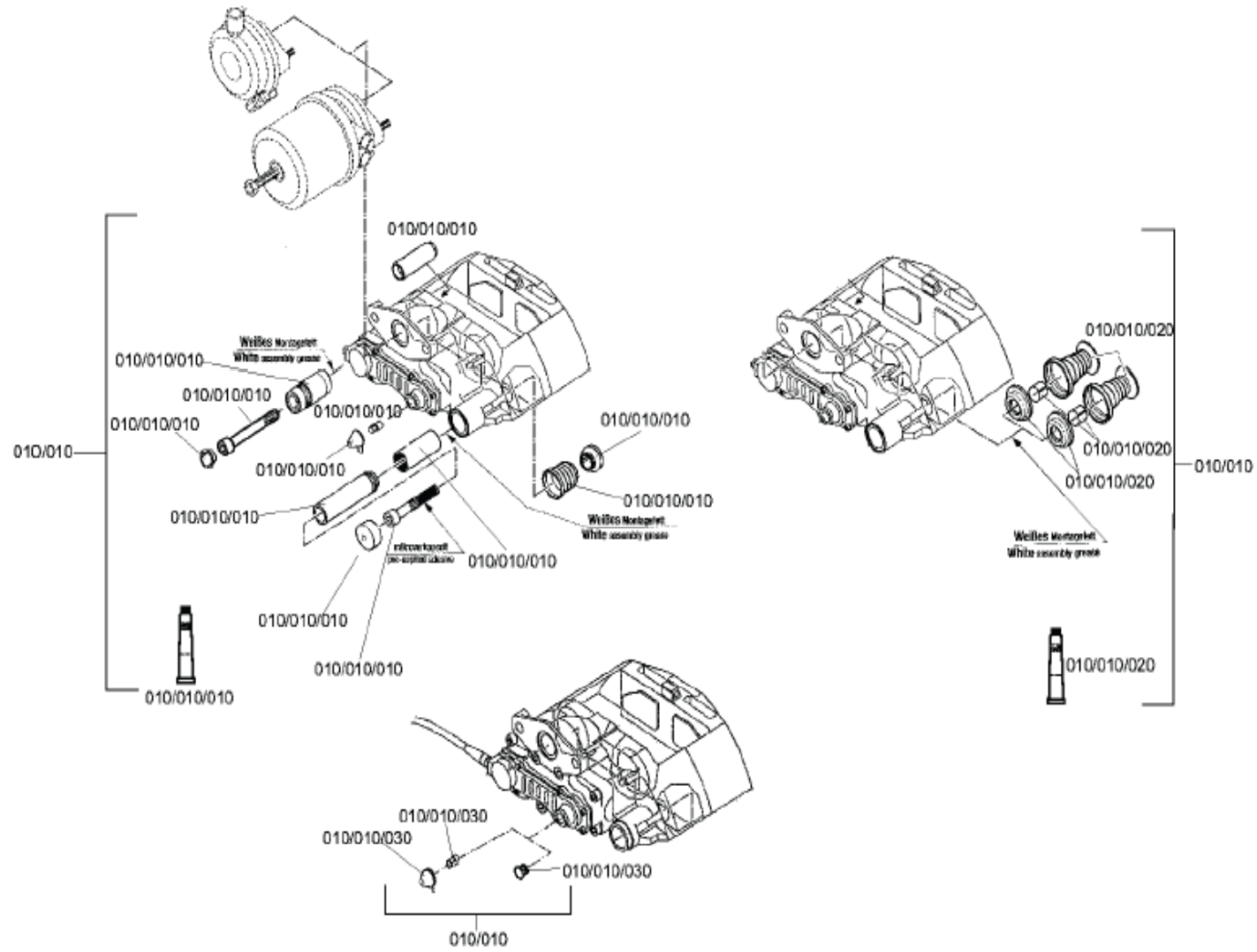
悬架
SUSPENSION



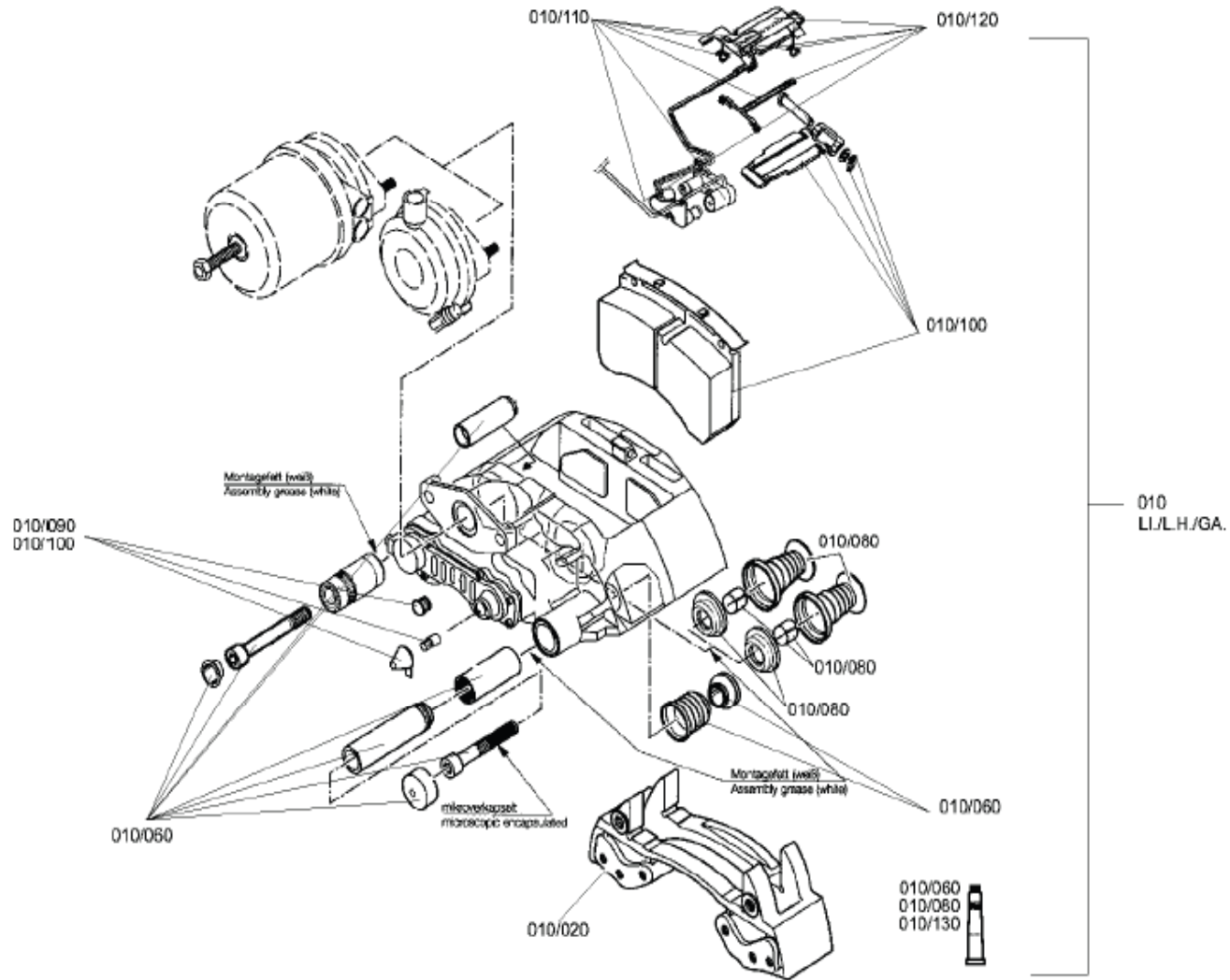
悬架
SUSPENSION

序号 Item No.	零件代码 Part No	中文名称 Chinese Name	英文名称 English Name	数量 Quantity	单位 Unit	备注 Notes
10	230002347	减振器	SHOCK ABSORBER	2		
20	298000117	空气弹簧	AIR SPRING	2		
/10	230001289	风箱	BELLOWS	1		
/20	230001290	活塞	PISTON	1		
/30	230001291	板材	PLATE	1		
/40	230001299	缓冲剂	BUFFER	1		

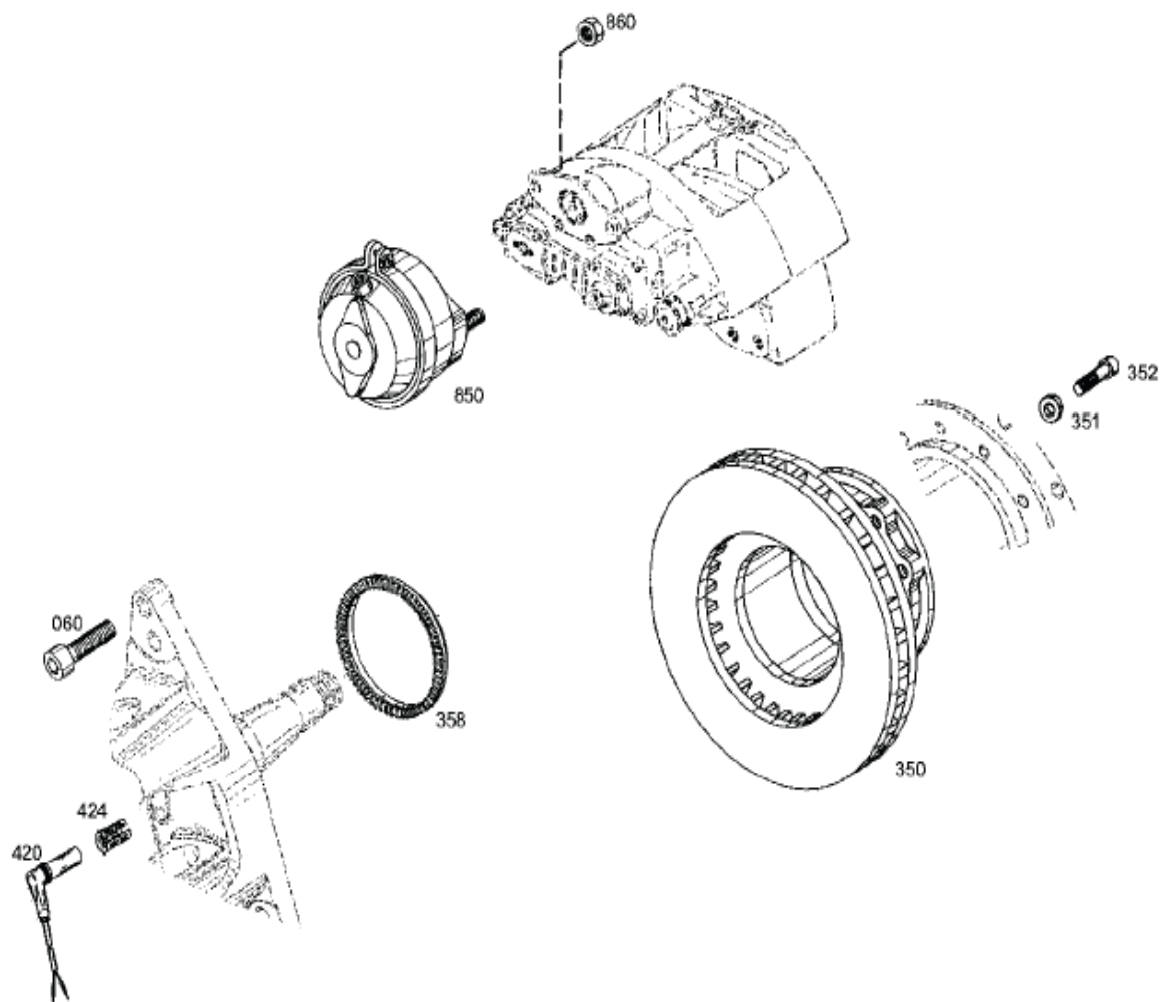
制动器 BRAKE



制动器 BRAKE



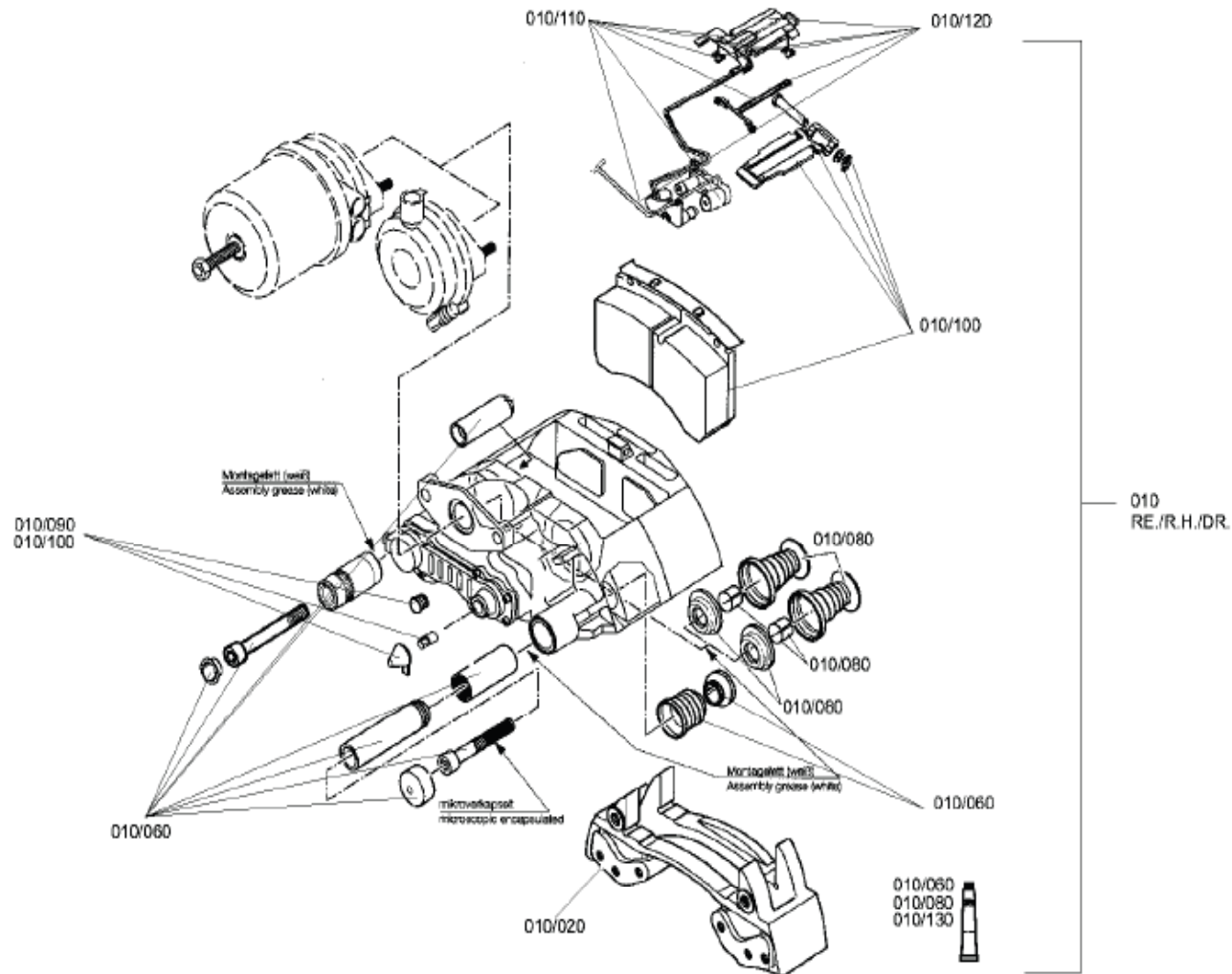
制动器
BRAKE



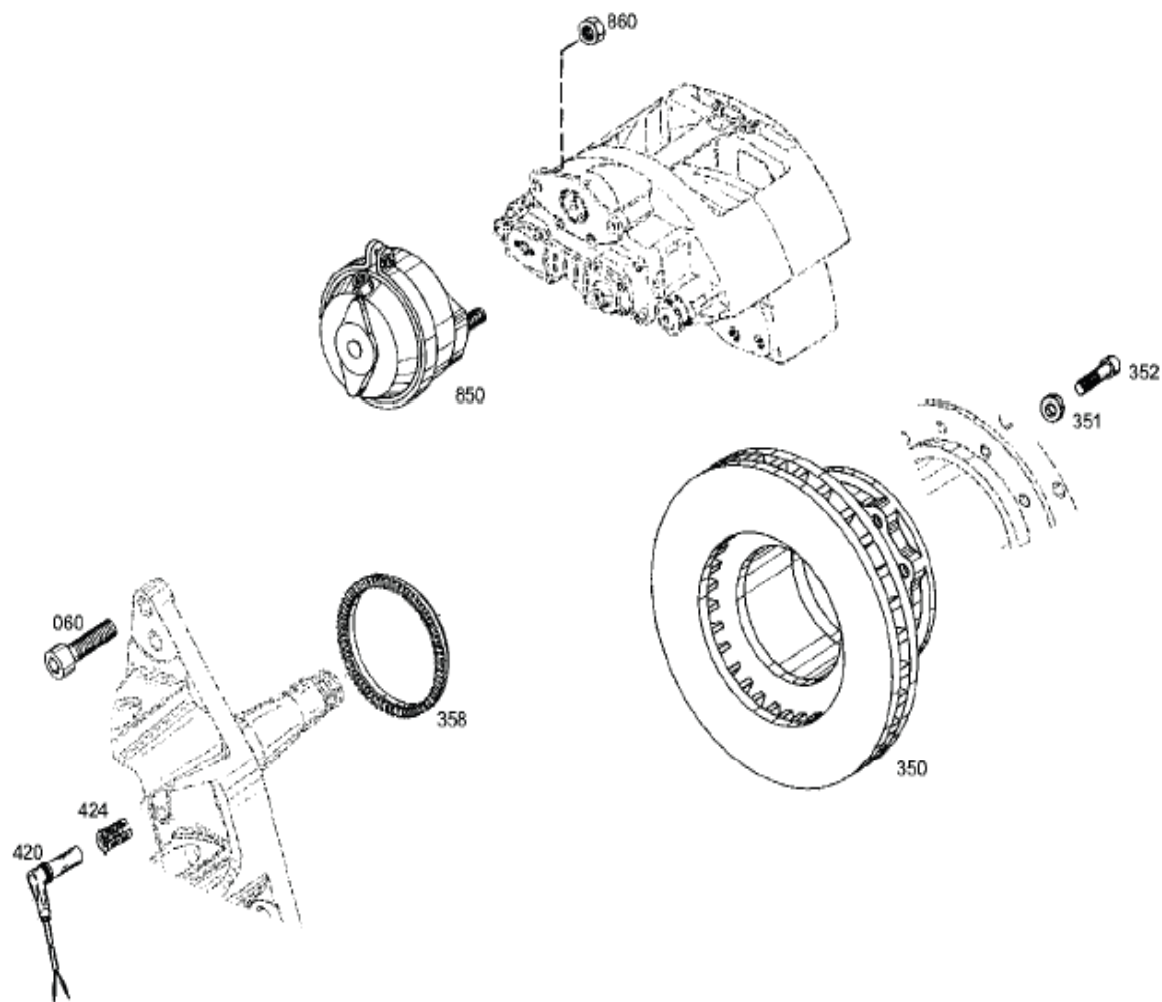
制动器
BRAKE

序号 Item No.	零件代码 Part No	中文名称 Chinese Name	英文名称 English Name	数量 Quantity	单位 Unit	备注 Notes
10	224000043	盘型制动	DISC BRAKE	1		Ausf. B
/10	230001854	游标卡尺	CALIPER	1		K015235AT
//10	224000414	油封	SEAL KIT	1		
//20	224000108	压力元件	PRESSURE PIECE	1		
//30	224000351	调整包	ADJUSTING KIT	1		
/20	224000506	制动器底板	BRAKE ANCHOR PLATE	1		
/60	224000414	油封	SEAL KIT	1		
/80	224000108	压力元件	PRESSURE PIECE	1		
/90	224000351	调整包	ADJUSTING KIT	1		
/100	224000353	鼓式制动片	BRAKE LINING KIT	1		II18022062 FA. KNORR
/110	230002029	杯垫	COVER SET	1		
/120	230002028	杯垫	COVER SET	1		
/130	224000369	润滑总成	ASSEMBLY GREASE	1		
60	230001329	平头螺丝	CAP SCREW	4		M20X1, 5X65
350	224000384	制动盘	BRAKE DISC	1		
351	224000055	垫圈	WASHER	10		S=2, 5; A=2, 5
352	230001328	平头螺丝	CAP SCREW	10		M16X1, 5X50
358	224000372	脉冲光盘	PULSE DISC	1		
420	230001298	转数计	REVOLUTION COUNTER	1		L=400
424	224000363	衬套[BUSH	1		
850	230000010	制动分泵	BRAKE CYLINDER	1		BS3538-K003170
860	224002494	锁紧螺母	LOCKING NUT	2		M16X1, 5

制动器 BRAKE



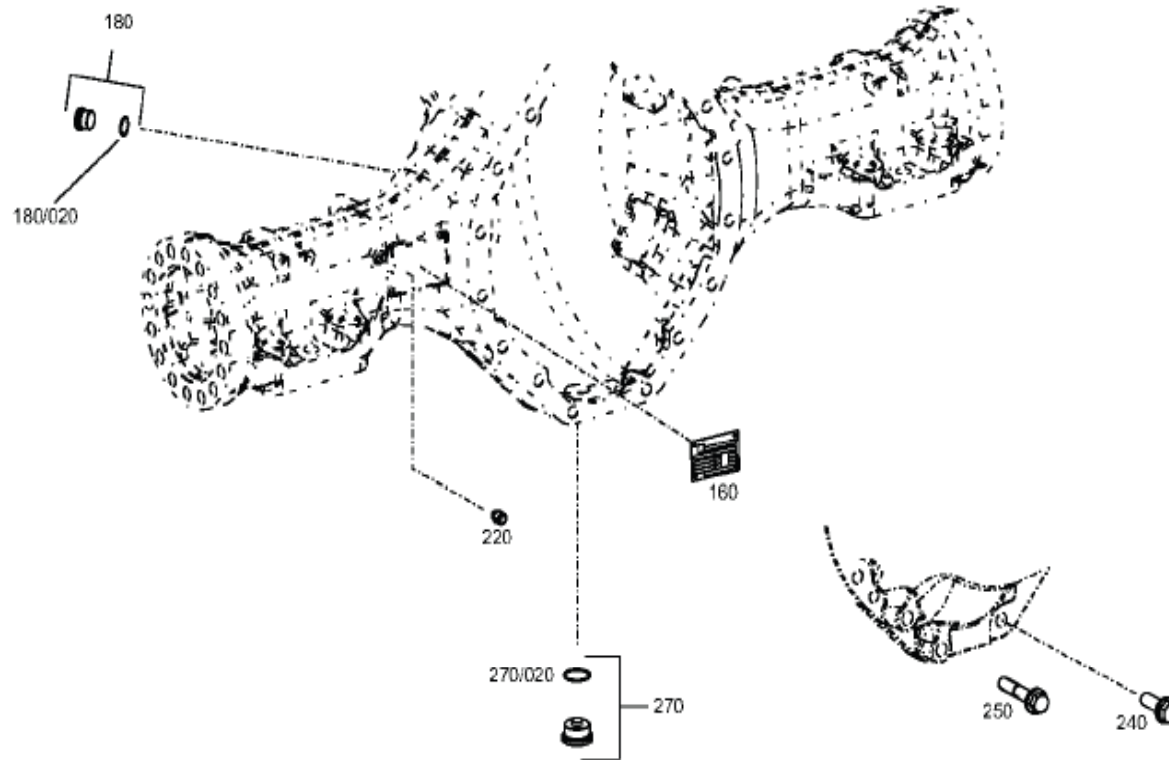
制动器
BRAKE



制动器
BRAKE

序号 Item No.	零件代码 Part No	中文名称 Chinese Name	英文名称 English Name	数量 Quantity	单位 Unit	备注 Notes
10	224000059	盘型制动	DISC BRAKE	1		Ausf. A
/10	230001934	游标卡尺	CALIPER	1		K015234AT
//10	224000414	油封	SEAL KIT	1		
//20	224000108	压力元件	PRESSURE PIECE	1		
//30	224000351	调整包	ADJUSTING KIT	1		
/20	224000506	制动器底板	BRAKE ANCHOR PLATE	1		
/60	224000414	油封	SEAL KIT	1		
/80	224000108	压力元件	PRESSURE PIECE	1		
/90	224000351	调整包	ADJUSTING KIT	1		
/100	224000353	鼓式制动片	BRAKE LINING KIT	1		II18022062 FA. KNORR
/110	230002029	杯垫	COVER SET	1		
/120	230002028	杯垫	COVER SET	1		
/130	224000369	润滑总成	ASSEMBLY GREASE	1		
60	230001329	平头螺丝	CAP SCREW	4		M20X1, 5X65
350	224000384	制动盘	BRAKE DISC	1		
351	224000055	垫圈	WASHER	10		S=2, 5; A=2, 5
352	230001328	平头螺丝	CAP SCREW	10		M16X1, 5X50
358	224000372	脉冲光盘	PULSE DISC	1		
420	230001298	转数计	REVOLUTION COUNTER	1		L=400
424	224000363	衬套	BUSH	2		
850	230000010	制动分泵	BRAKE CYLINDER	1		BS3538-K003170
860	224002494	锁紧螺母	LOCKING NUT	2		M16X1, 5

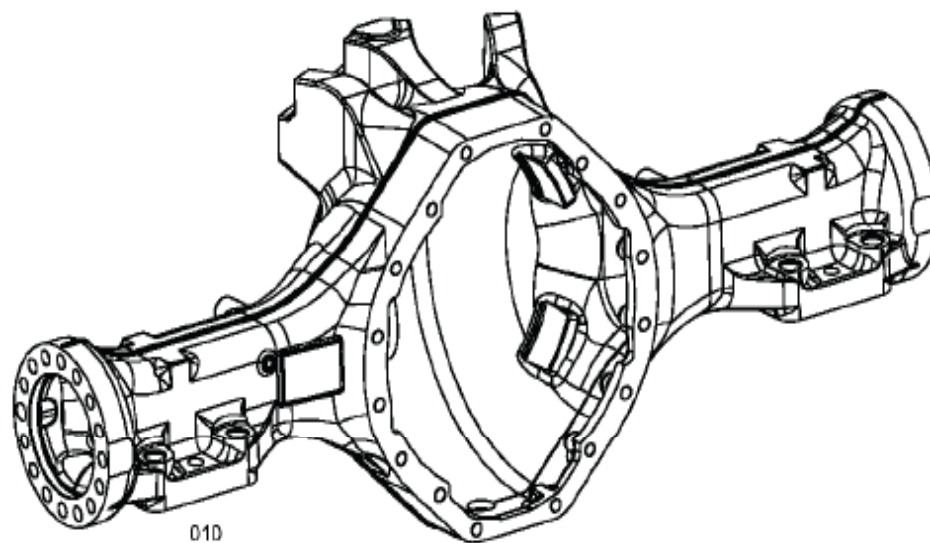
后桥总成 224201090B
后桥外壳
AXLE CASING



后桥外壳
AXLE CASING

序号 Item No.	零件代码 Part No	中文名称 Chinese Name	英文名称 English Name	数量 Quantity	单位 Unit	备注 Notes
160	224002961	铭牌	TYPE PLATE	1		ZF-Standard/Passau
180		螺塞	SCREW PLUG	1		
/20	224000399	O型密封圈	O-RING	1		21X2
220	224002520	通气装置	BREATHER	1		M10X1KEG
240	224001663	锁紧螺丝	LOCKING SCREW	12		M 16X1, 5X50
250	224001684	锁紧螺丝	LOCKING SCREW	4		M16X1, 5X80 DURLOK12. 9
270		螺塞	SCREW PLUG	1		
/20	224000401	O型密封圈	O-RING	1		33X2, 2

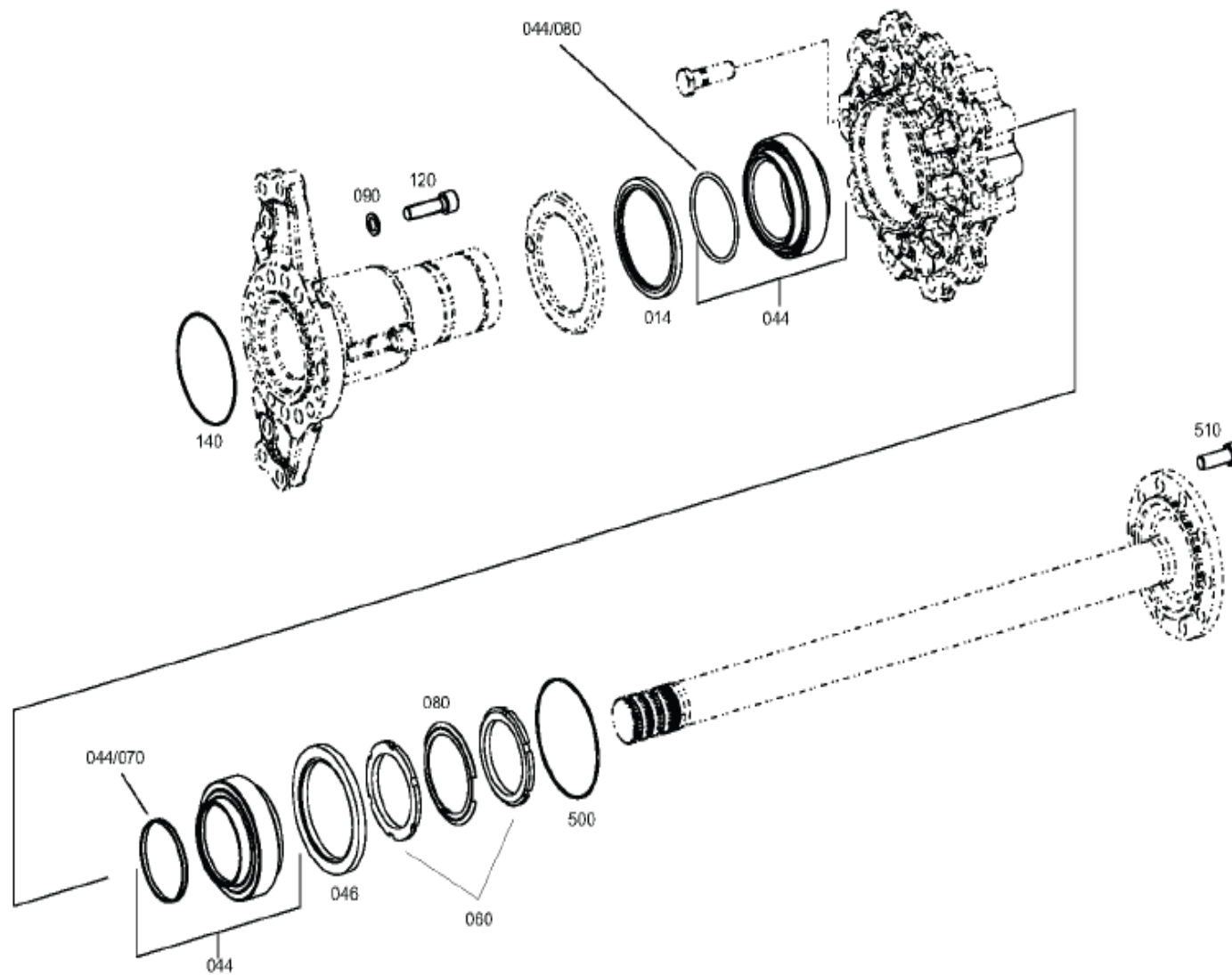
后桥外壳
AXLE CASING



后桥外壳
AXLE CASING

序号 Item No.	零件代码 Part No	中文名称 Chinese Name	英文名称 English Name	数量 Quantity	单位 Unit	备注 Notes
10	224003658	后桥外壳	AXLE CASING	1		

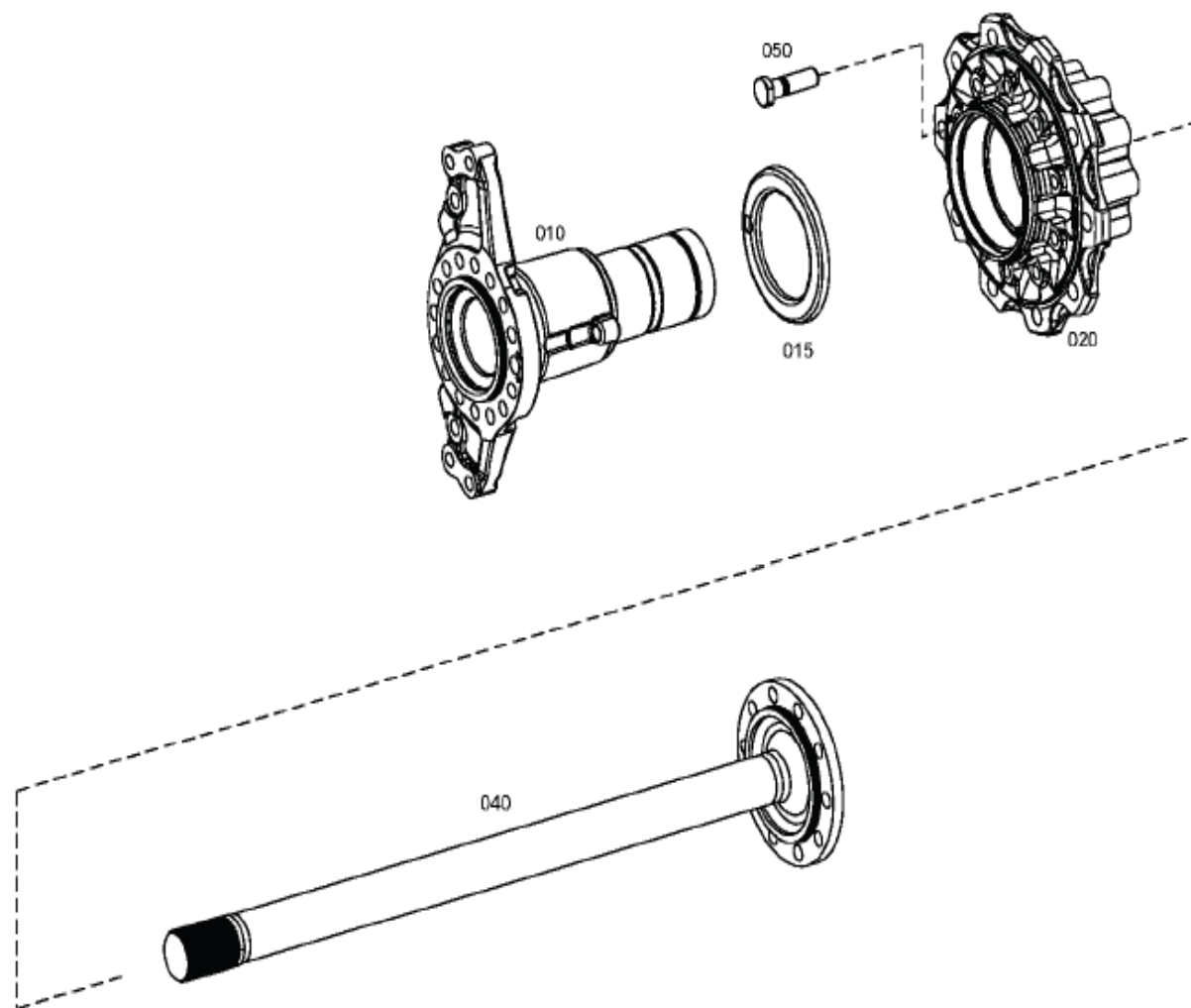
输出轴
OUTPUT



输出轴
OUTPUT

序号 Item No.	零件代码 Part No	中文名称 Chinese Name	英文名称 English Name	数量 Quantity	单位 Unit	备注 Notes
14	224003062	轴密封	SHAFT SEAL	2		132X172X12/14, 5
44	224002501	滚动轴承	TAROLLBEARING	2		105, 000X160, 000X140, 0
/70	224001703	挡圈	RETAINING RING	1		
/80	224002467	O型密封圈	O-RING	1		109, 2X5, 7
46	224003063	轴密封	SHAFT SEAL	2		132X160X10
60	224002496	开槽螺母	SLOTTED NUT	2		M105X1, 5
80	224002551	有耳垫圈	TAB WASHER	2		
82	224002496	开槽螺母	SLOTTED NUT	2		M105X1, 5
90	224002497	垫圈	WASHER	30		19X30X3
120	224003658	平头螺丝	CAP SCREW	30		M18X1, 5X65
140	224000397	O型密封圈	O-RING	2		138X3
500	224001747	O型密封圈	O-RING	2		155X3
510	224002472	六角头螺栓	HEXAGON BOLT	20		M18X1, 5X50

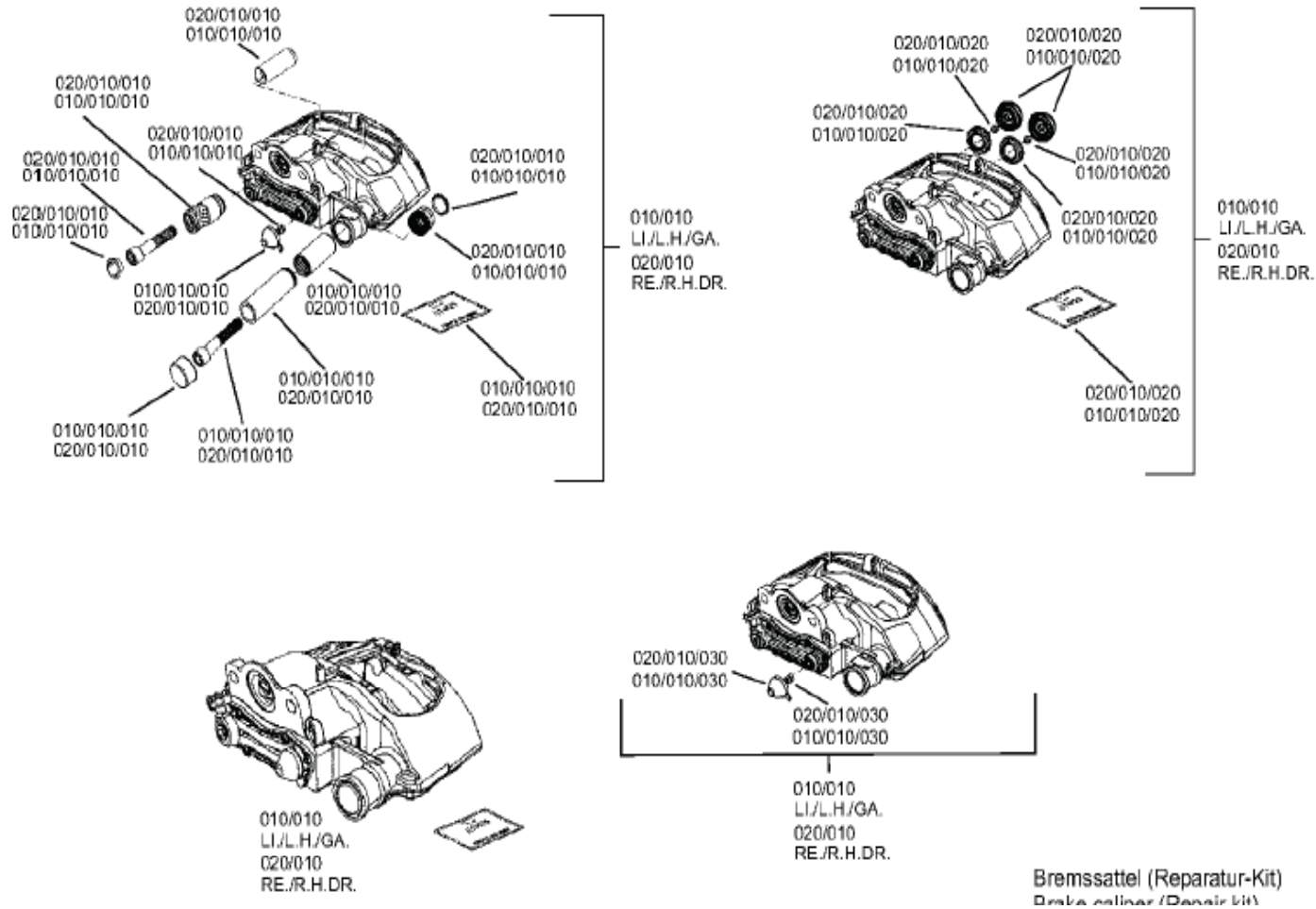
输出轴
OUTPUT



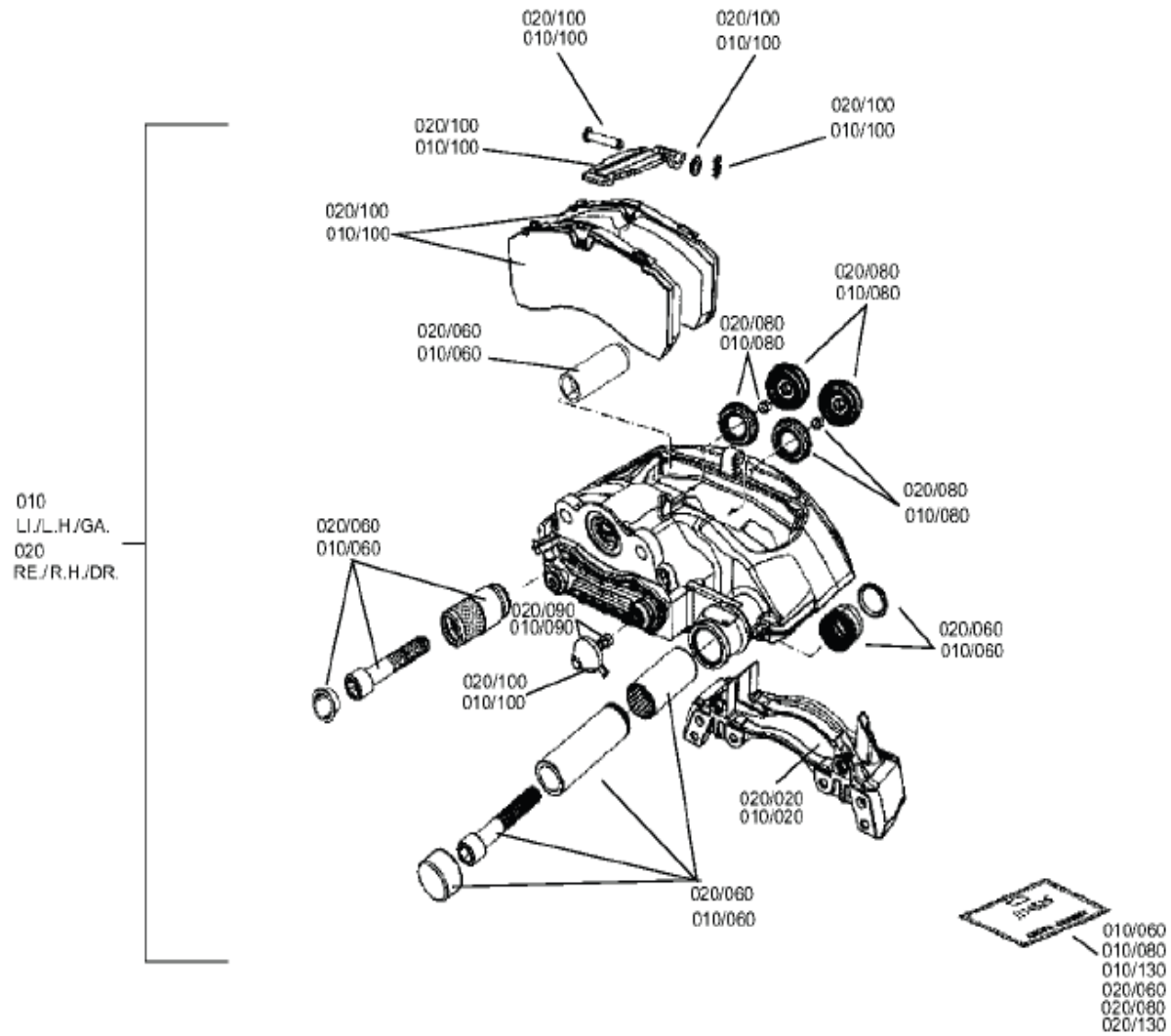
输出轴
OUTPUT

序号 Item No.	零件代码 Part No	中文名称 Chinese Name	英文名称 English Name	数量 Quantity	单位 Unit	备注 Notes
10	224003064	轮毂架	HUB CARRIER	2		D-Teil
15	224003065	投影片	SCREEN SHEET	2		
20	224003066	轮毂	HUB	2		D-Teil
40	224003067	法兰轴	FLANGE SHAFT	2		Z=48
50	224002545	轮胎螺栓	WHEEL BOLT	20		

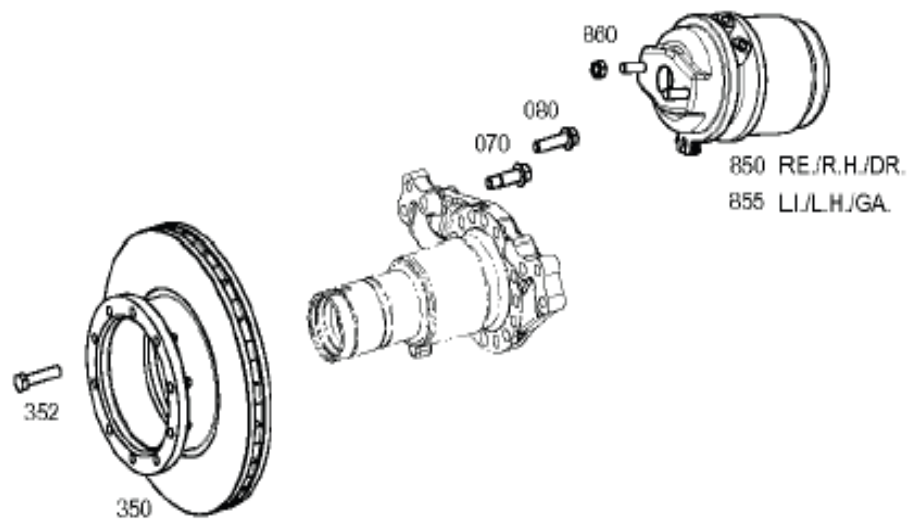
制动系统 BRAKE



制动系统 BRAKE



制动系统
BRAKE

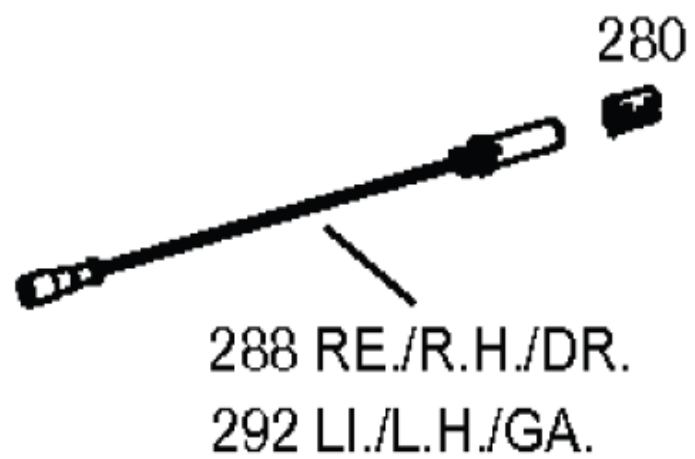


制动系统
BRAKE

序号 Item No.	零件代码 Part No	中文名称 Chinese Name	英文名称 English Name	数量 Quantity	单位 Unit	备注 Notes
10	224004004	盘型制动	DISC BRAKE		1	
/10	224004005	游标卡尺	CALIPER		1	
/20	224000357	制动器底板	BRAKE ANCHOR PLATE		1	
/60	224000414	油封	SEAL KIT		1	
/80	224000108	压力元件	PRESSURE PIECE		1	
/90	224000351	调整包	ADJUSTING KIT		1	
/100	224004008	刹车片	BRAKE LINING		1	
/110	230002029	杯垫	COVER SET		1	
/120	230002028	杯垫	COVER SET		1	
/130	224000369	润滑总成	ASSEMBLY GREASE		1	
20	224004006	盘型制动	DISC BRAKE		1	
/10	224004007	游标卡尺	CALIPER		1	
/20	224000356	制动器底板	BRAKE ANCHOR PLATE		1	
/60	224000414	油封	SEAL KIT		1	
/80	224000108	压力元件	PRESSURE PIECE		1	
/90	224000351	调整包	ADJUSTING KIT		1	
/100	224004008	刹车片	BRAKE LINING		1	
/110	230002029	杯垫	COVER SET		1	
/120	230002028	杯垫	COVER SET		1	
/130	224000369	润滑总成	ASSEMBLY GREASE		1	
70	224001363	定位螺栓	FITTING BOLT		2	
80	224000087	六角头螺栓	HEXAGON BOLT		10	M16X1, 5X60
350	224000384	制动盘	BRAKE DISC		2	
352	224002471	六角头螺栓	HEXAGON BOLT		20	M16X1, 5X80

制动系统
BRAKE

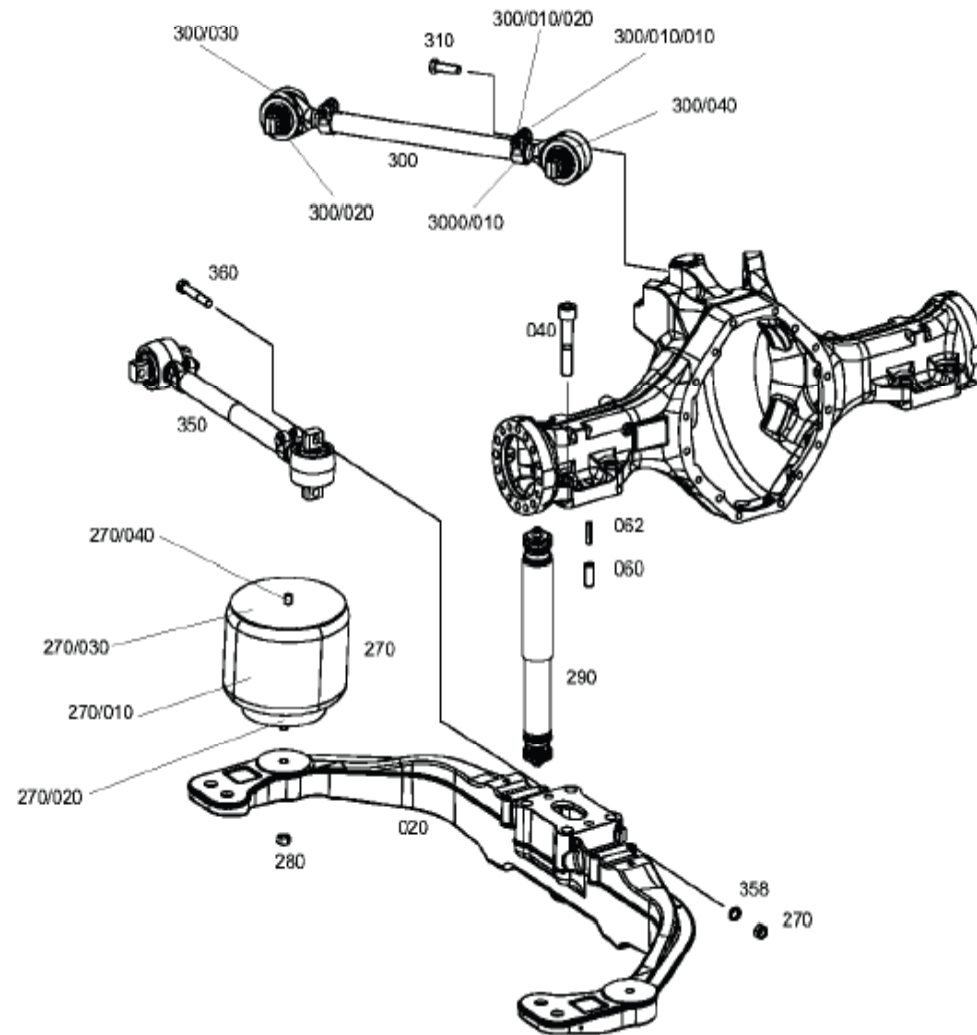
序号 Item No.	零件代码 Part No	中文名称 Chinese Name	英文名称 English Name	数量 Quantity	单位 Unit	备注 Notes
850	224000020	制动分泵	BRAKE CYLINDER		1	
855	224000010	制动分泵	BRAKE CYLINDER		1	
860	224002494	锁紧螺母	LOCKING NUT		4	M16X1, 5



制动系统
BRAKE

序号 Item No.	零件代码 Part No	中文名称 Chinese Name	英文名称 English Name	数量 Quantity	单位 Unit	备注 Notes
280	224000363	衬套	BUSH	2		
288	224003074	转数计数器	REVOLUTION COUNTER	1		
292	224003075	转数计数器	REVOLUTION COUNTER	1		

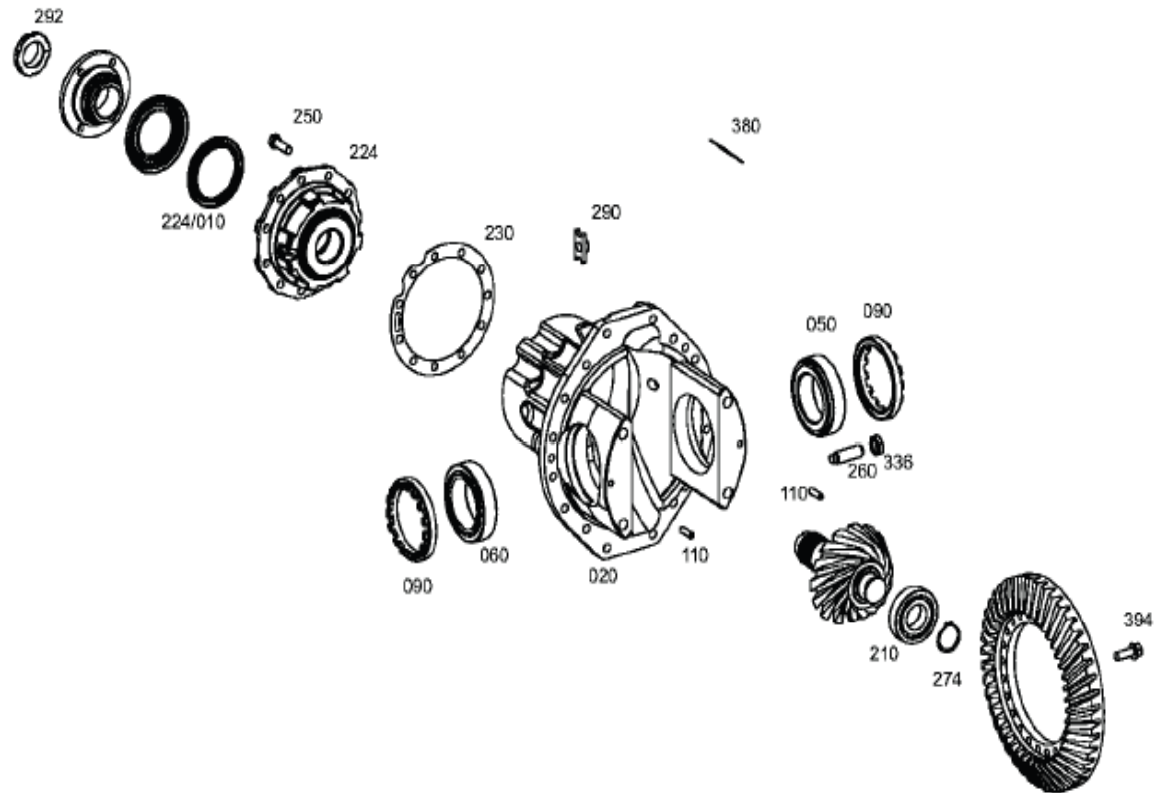
悬架
SUSPENSION



悬架
SUSPENSION

序号 Item No.	零件代码 Part No	中文名称 Chinese Name	英文名称 English Name	数量 Quantity	单位 Unit	备注 Notes
20	224003659	弹簧托架	SPRING CARRIER	2		
40	224000454	平头螺丝	CAP SCREW	8		M27X2X140
60	224000395	插槽的针脚	SLOTPIN	4		20X50
62	224000394	插槽的针脚	SLOTPIN	4		12X50
270	229000308	空气弹簧	PNEUMATIC SPRING	4		H=290, D=325 MAX
/10	224003660	空气弹簧	PNEUMATIC SPRING	1		
//10	224003327	空气弹簧气囊	AIR SPRING BELLOWS	1		V 1E26A VIBRACOUSTIC
//20	217007839	活塞	PISTON	1		
//30	217007840	板材	PLATE	1		
//40	217007841	缓冲器	BUFFER	1		
280	224002967	六角头螺栓	HEXAGON BOLT	4		M18X1, 5X40
290	224000368	减震器	SHOCK ABSORBER	4		
300	224003661	连杆	TRAILING LINK	2		
/10	224003662	夹具	CLAMP	2		
//10	230001322	六角头螺栓	HEXAGON BOLT	1		M12X1, 5X70
//20	224004009	六角螺母	HEXAGON NUT	1		M12X1, 5
/20	224003663	修理工具箱	REPAIR KIT	2		
/30	224003664	球接头	BALL JOINT	1		
/40	224003665	球接头	BALL JOINT	1		
310	224000409	六角头螺栓	HEXAGON BOLT	4		M18X1, 5X60
350	224000552	连杆	TRAILING LINK	2		
358	224002497	垫圈	WASHER	4		19X30X3
360	0636.020.243	六角头螺栓	HEXAGON BOLT	4		M18X1, 5X105
370	224000097	六角螺母	HEXAGON NUT	4		M18X1, 5

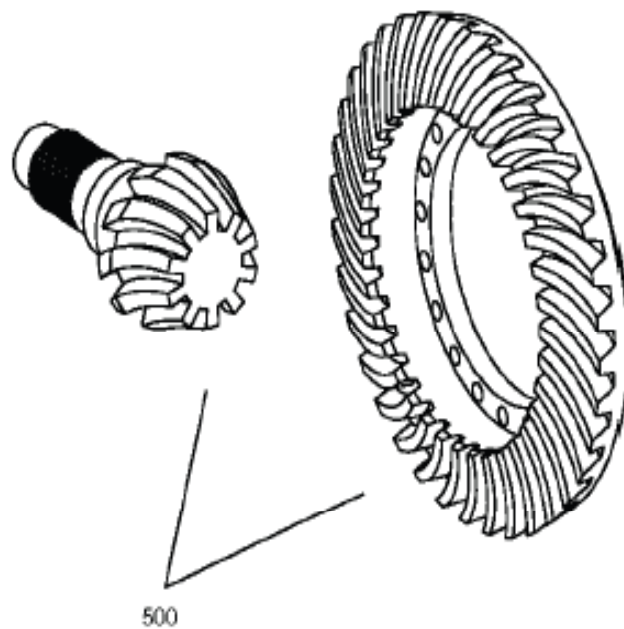
车轴驱动
AXLE DRIVE



车轴驱动
 AXLE DRIVE

序号 Item No.	零件代码 Part No	中文名称 Chinese Name	英文名称 English Name	数量 Quantity	单位 Unit	备注 Notes
20	224001238	轴驱动室	AXLE DRIVE HOUSING	1		IN 4460 291 220
50	224002521	圆锥滚子轴承	TAPER ROLLER BEARING	1		100, 000X160, 000X41, 00
60	224000022	圆锥滚子轴承	TAPER ROLLER BEARING	1		105, 000X160, 000X43, 00
90	224001387	调整螺母	ADJUSTING NUT	2		M170X1, 5
110	224000393	插槽的针脚	SLOTPIN	2		12X40
210	224001517	滚子轴承	ROLLER BEARING	1		55, 000X115, 000X29, 000
224	224003076	滚动轴承	TAROLL BEARING	1		
/10	224003077	轴封	SHAFT SEAL	1		110, 23X145, 0X10/12
230	224002524	垫片	SHIM	1		S=1, 0
250	224000405	六角头螺栓	HEXAGON BOLT	11		M16X50
260	224001490	调整螺钉	ADJUSTING SCREW	1		
274	224000387	挡圈	RETAINING RING	1		55X2
290	224001240	滑套衬垫	SLIDING PAD	1		
292	224001388	开槽螺母	SLOTTED NUT	1		
336	0637.009.139	六角螺母	HEXAGON NUT	1		M24X1, 5
380	224002961	铭牌	TYPE PLATE	1		ZF-Standard/Passau
394	224001447	锁紧螺丝	LOCKING SCREW	24		M 16X1, 5X45 12. 9

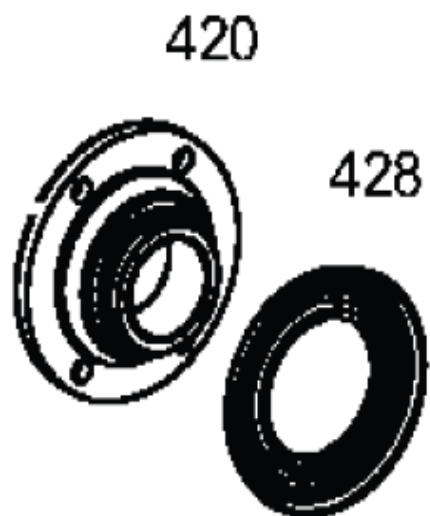
锥齿轮传动装置
BEVEL GEAR SET



锥齿轮传动装置
BEVEL GEAR SET

序号 Item No.	零件代码 Part No	中文名称 Chinese Name	英文名称 English Name	数量 Quantity	单位 Unit	备注 Notes
	224001749	锥齿轮传动装置	BEVEL GEAR SET	1		

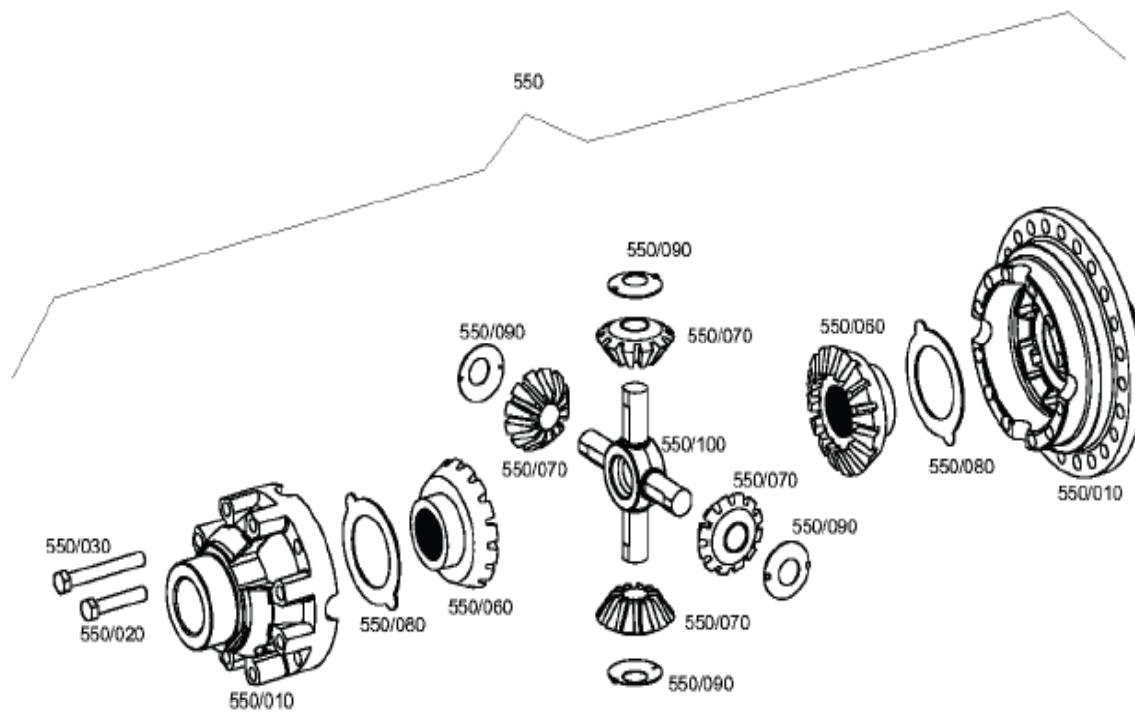
输入法兰
INPUT FLANGE



输入法兰
INPUT FLANGE

序号 Item No.	零件代码 Part No	中文名称 Chinese Name	英文名称 English Name	数量 Quantity	单位 Unit	备注 Notes
420	224000040	输入法兰	INPUT FLANGE	1		KV-180-N68x1, 25
428	224000057	投影片	SCREEN SHEET	1		

差速器
DIFFERENTIAL



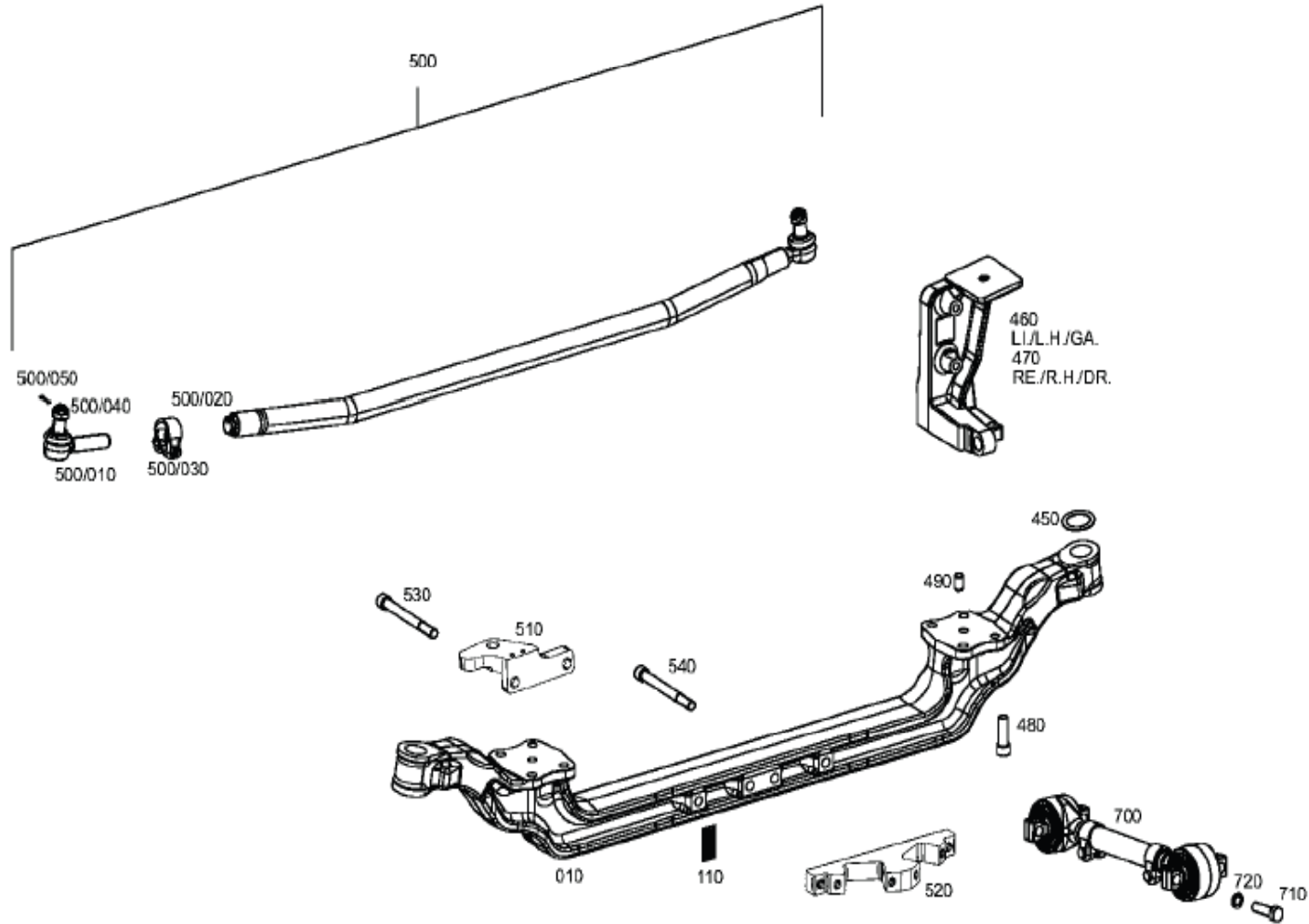
差速器
DIFFERENTIAL

序号 Item No.	零件代码 Part No	中文名称 Chinese Name	英文名称 English Name	数量 Quantity	单位 Unit	备注 Notes
10	224001748	差速器外壳	DIFFCASE	1		I=2, 81-5, 87 KPL.
20	224002471	六角头螺栓	HEXAGON BOLT	4		M16X1, 5X80
30	224003079	六角头螺栓	HEXAGON BOLT	8		M16X1, 5X120
60	224001704	轴锥齿轮	AXLE BEVEL GEAR	2		Z=16
70	224002531	差速器锥齿轮	DIFFBEVEL GEAR	4		Z=9
80	224001433	推力垫圈	THRUST WASHER	2		A=1, 50
90	224000422	推力垫圈	THRUST WASHER	4		
100	224001435	差速机十字轴	DIFFERENTIAL SPIDER	1		A=215

附加轴总成 232100050B

桥壳

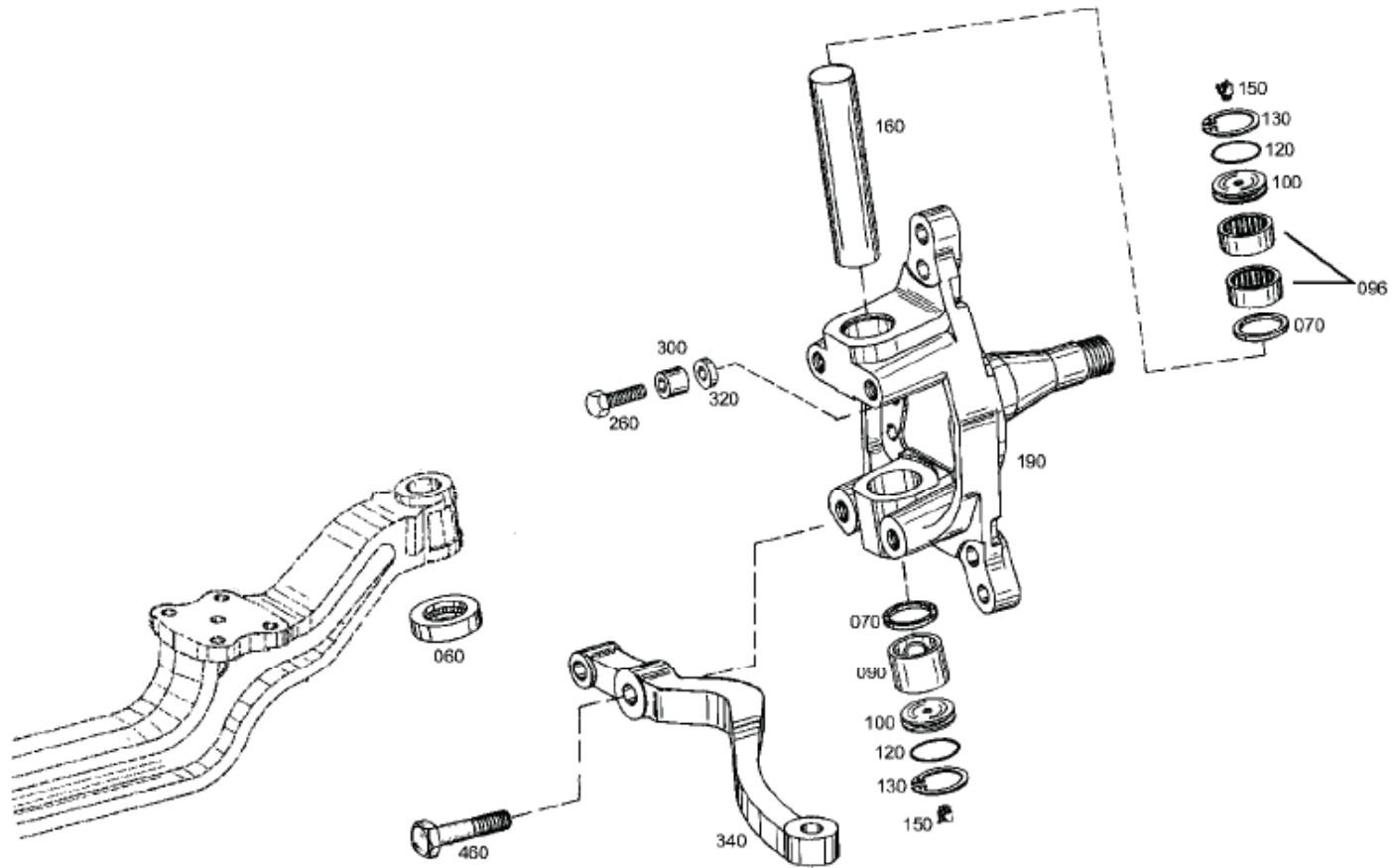
AXLE CASING



桥壳
AXLE CASING

序号 Item No.	零件代码 Part No	中文名称 Chinese Name	英文名称 English Name	数量 Quantity	单位 Unit	备注 Notes
10	224002483	桥壳	AXLE CASING	1		
110	230001401	铭牌	TYPE PLATE	1		
450	230001346	垫圈	WASHER	2		S=2, 45
480	230001304	平头螺丝	CAP SCREW	8		K01586/0210
490	224000391	圆柱销	CYLINDRICAL PIN	2		
500	0501007881	拉杆	TIE ROD	1		K01762/0410
/10	224000415	球接头	BALL JOINT	1		
/20	224000370	螺纹套筒	THREADED SLEEVE	1		
/30	224000469	夹具	CLAMP	1		
//10	224000410	六角头螺栓	HEXAGON BOLT	1		
//20	224000450	六角螺母	HEXAGON NUT	1		
/40	230001332	槽形螺母	CASTLE NUT	2		
/50	230001312	开尾销	SPLIT PIN	2		
510	4474385074	固定装置	FIXING DEVICE	1		
520	224002484	固定装置	FIXING DEVICE	1		
530	0636 101 928	平头螺丝	CAP SCREW	2		
540	224000533	平头螺丝	CAP SCREW	2		
700	224000416	支杆	STRUT	4		K00308/0410
710	224000409	六角头螺栓	HEXAGON BOLT	8		
720	224002497	垫圈	WASHER	8		

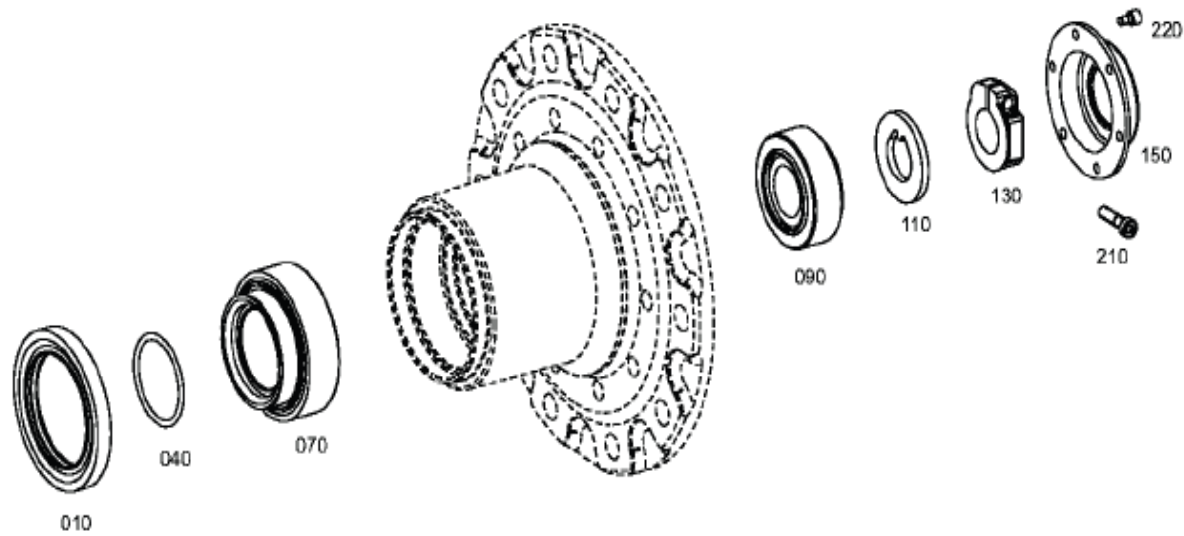
连接壳体
Joint Housing



连接壳体
Joint Housing

序号 Item No.	零件代码 Part No	中文名称 Chinese Name	英文名称 English Name	数量 Quantity	单位 Unit	备注 Notes
60	230002340	滚动轴承	AXROLLER BEAR	2		Z00014705810
70	230001402	密封圈	SEALING RING	1		Z00014705810
90	230001399	衬套	BUSH	2		
96	217007796	针形套筒	NEEDLE SLEEVE	2		Z00013387110
100	230001435	密封圈固定器	SEALING HOLDER	4		K01058/0510
120	230001317	O型密封圈	O-RING	4		K01058/0510
130	217006858	挡圈	RETAINING RING	4		
150	230001314	润滑油嘴	LUBRICNIPPLE	4		K01058/0510
160	230001436	主销	PIVOT PIN	2		
190	230001837	转向节	STEERING KNUCKLE	2		K00182/0810
260	0736010155	止动螺钉	STOP SCREW	2		
270	232000004	止动衬套	STOP BUSH	2		
320	230001838	止推片	STOP WASHER	2		
330	232000005	转向臂	STEERING ARM	1		
340	230002312	起轨杆	TRACK LEVER	1		
460	230001320	六角头螺栓	HEXAGON BOLT	4		

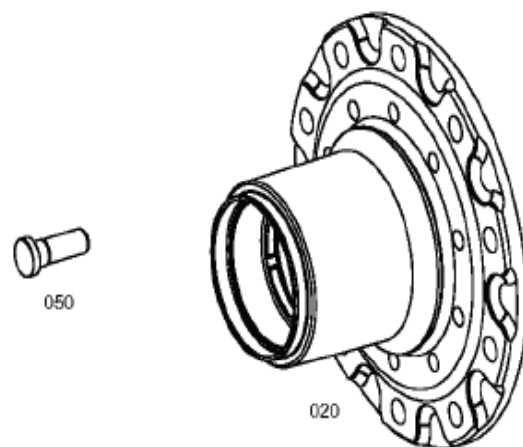
输出轴
OUTPUT



输出轴
OUTPUT

序号 Item No.	零件代码 Part No	中文名称 Chinese Name	英文名称 English Name	数量 Quantity	单位 Unit	备注 Notes
10	230001412	轴密封	SHAFT SEAL	1		
40	230001315	O型密封圈	O-RING	1		
70	230001415	滚动轴承	TAROLLBEARING	1		
90	230001416	滚动轴承	TAROLLBEARING	1		
110	230001446	支撑衬套	SUPPORT SHIM	1		
130	230001447	锁紧螺母	LOCKING NUT	1		
150	224002493	盖子	COVER	1		K01994/0010
210	230001330	平头螺丝	CAP SCREW	1		
220	230001326	平头螺丝	CAP SCREW	6		

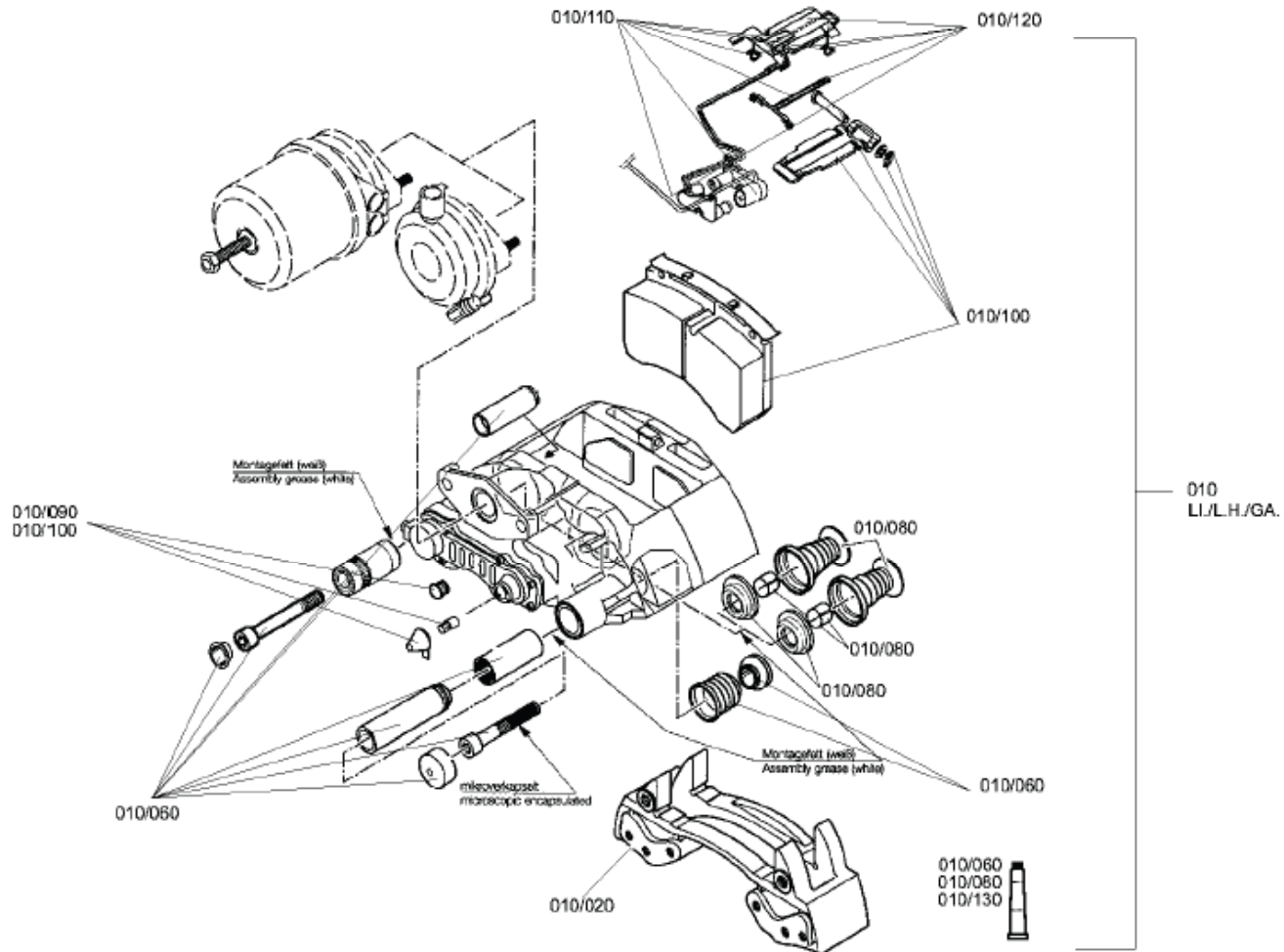
输出轴
OUTPUT



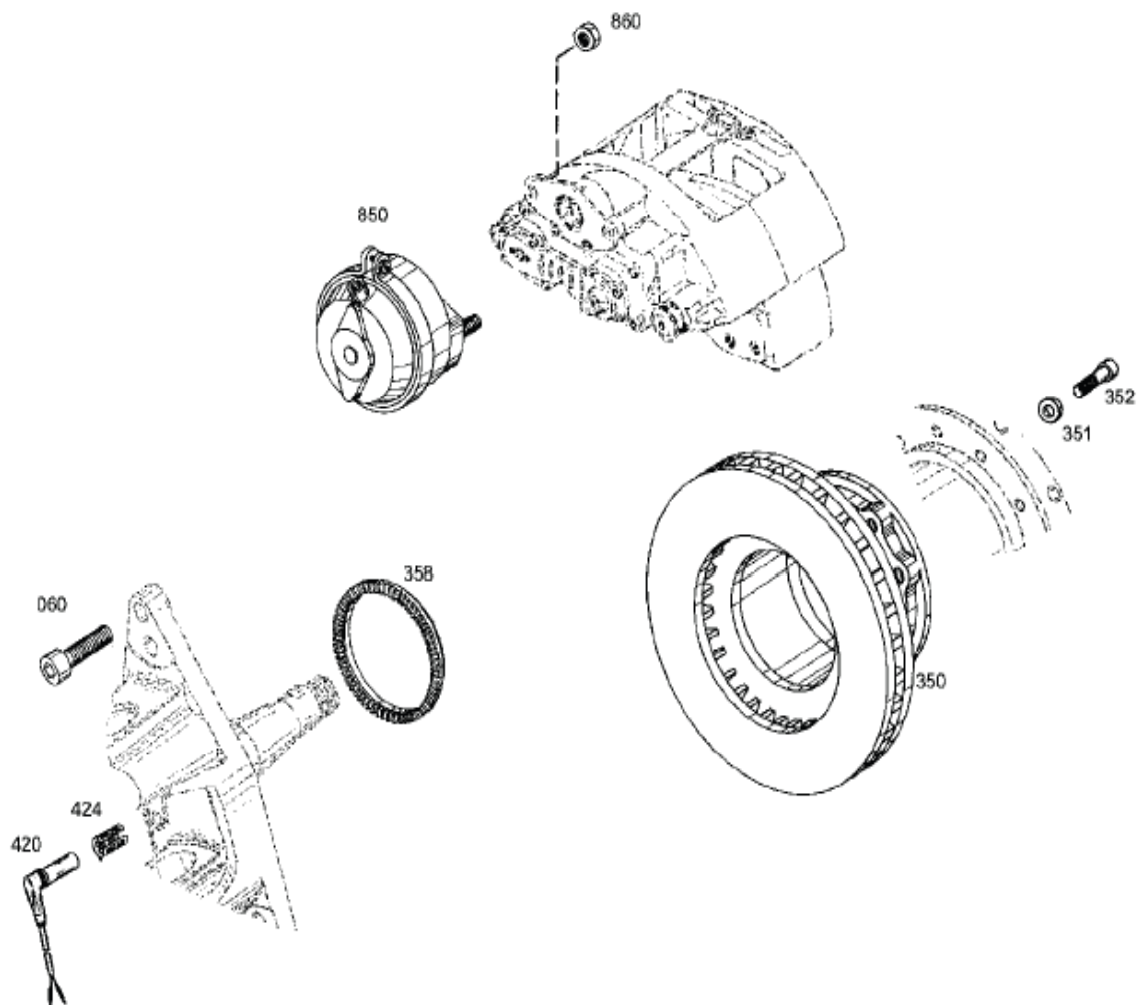
输出轴
OUTPUT

序号 Item No.	零件代码 Part No	中文名称 Chinese Name	英文名称 English Name	数量 Quantity	单位 Unit	备注 Notes
20	224002495	轮毂	HUB	1		K00115/0510
50	230001410	轮胎螺栓	WHEEL BOLT	10		

制动器
BRAKE



制动器
BRAKE

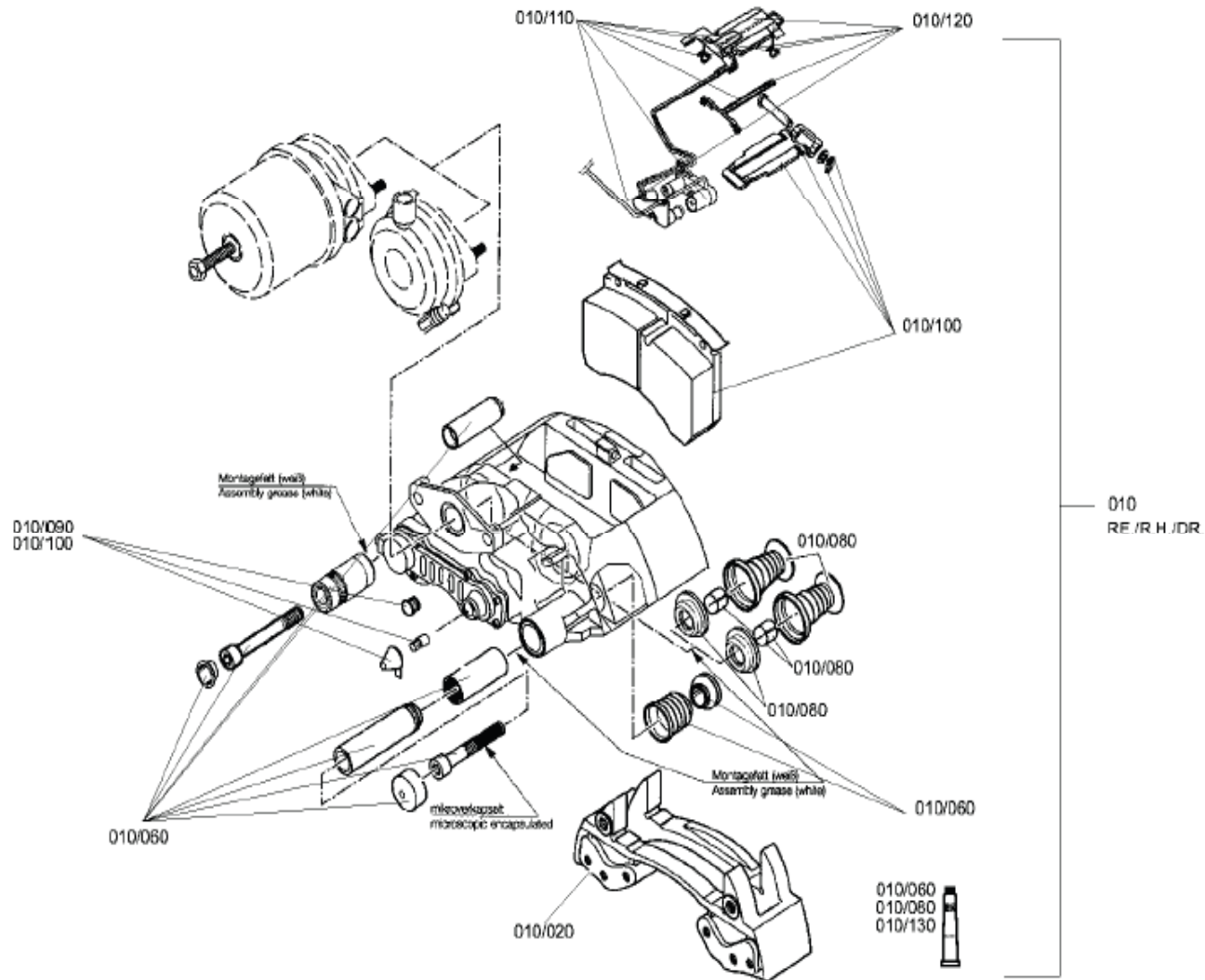


制动器
BRAKE

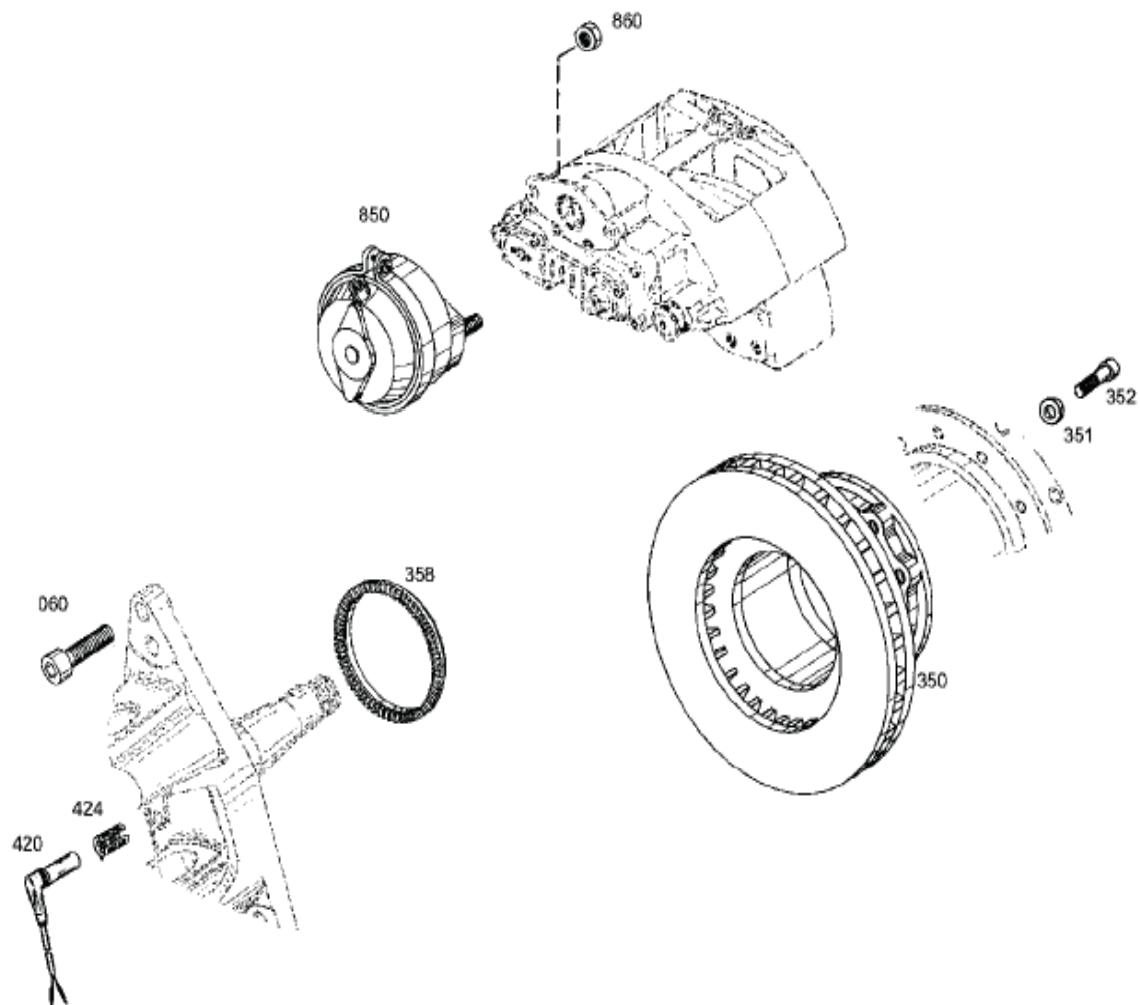
序号 Item No.	零件代码 Part No	中文名称 Chinese Name	英文名称 English Name	数量 Quantity	单位 Unit	备注 Notes
10	224000059	盘型制动	DISC BRAKE	1		K01134/0510
/10	230001934	游标卡尺	CALIPER	1		
//10	224000414	油封	SEAL KIT	1		
//20	224000108	压力元件	PRESSURE PIECE	1		
//30	224000351	调整包	ADJUSTING KIT	1		
/20	224000506	制动器底板	BRAKE ANCHOR PLATE	1		
/60	224000414	油封	SEAL KIT	1		
/80	224000108	压力元件	PRESSURE PIECE	1		
/90	224000351	调整包	ADJUSTING KIT	1		
/100	224000353	鼓式制动片	BRAKE LINING KIT	1		
/110	230002029	杯垫	COVER SET	1		
/120	230002028	杯垫	COVER SET	1		
/130	224000369	润滑油系统	ASSEMBLY GREASE	1		
60	230001329	平头螺丝	CAP SCREW	1		
350	224000384	制动盘	BRAKE DISC	1		
351	224000055	垫圈	WASHER	10		
352	230001328	平头螺丝	CAP SCREW	10		
358	224000372	冲光盘	PULSE DISC	1		
420	230001298	转数计数器	REVOLUTION COUNTER	1		
424	224000363	衬套	BUSH	1		
850	224000377	制动分泵	BRAKE CYLINDER	1		K00444/0510
860	224002494	锁紧螺母	LOCKING NUT	2		

制动器

BRAKE



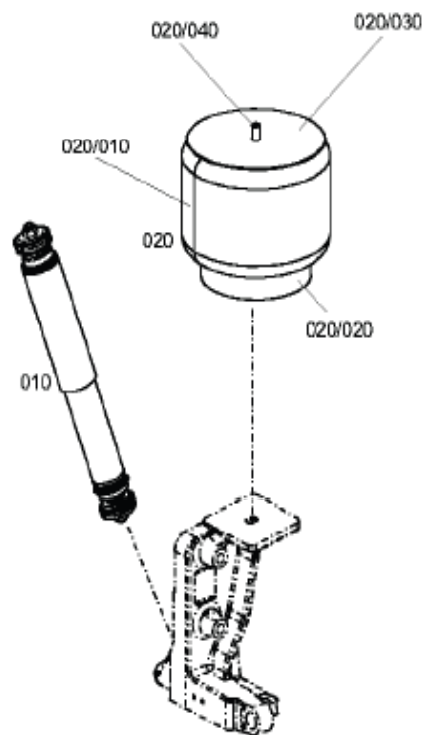
制动器
BRAKE



制动器
BRAKE

序号 Item No.	零件代码 Part No	中文名称 Chinese Name	英文名称 English Name	数量 Quantity	单位 Unit	备注 Notes
10	224000043	盘型制动	DISC BRAKE	1		K01134/0510
/10	230001854	游标卡尺	CALIPER	1		
//10	224000414	油封	SEAL KIT	1		
//20	224000108	压力元件	PRESSURE PIECE	1		
//30	224000351	调整包	ADJUSTING KIT	1		
/20	224000506	制动器底板	BRAKE ANCHOR PLATE	1		
/60	224000414	油封	SEAL KIT	1		
/80	224000108	压力元件	PRESSURE PIECE	1		
/90	224000351	调整包	ADJUSTING KIT	1		
/100	224000353	鼓式制动片	BRAKE LINING KIT	1		
/110	230002029	杯垫	COVER SET	1		
/120	230002028	杯垫	COVER SET	1		
/130	224000369	润滑油系统	ASSEMBLY GREASE	1		
60	230001329	平头螺丝	CAP SCREW	1		
350	224000384	制动盘	BRAKE DISC	1		
351	224000055	垫圈	WASHER	10		
352	230001328	平头螺丝	CAP SCREW	10		
358	224000372	冲光盘	PULSE DISC	1		
420	230001298	转数计数器	REVOLUTION COUNTER	1		
424	224000363	衬套	BUSH	1		
850	224000377	制动分泵	BRAKE CYLINDER	1		K00444/0510
860	224002494	锁紧螺母	LOCKING NUT	2		

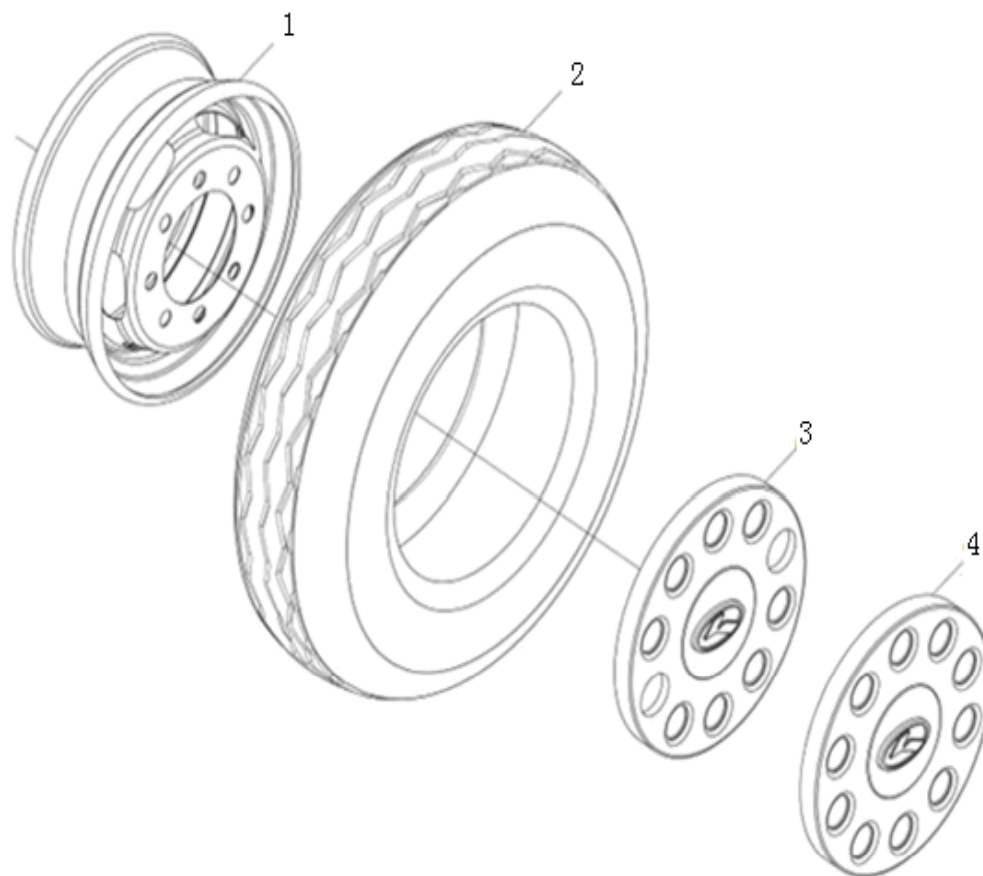
悬架
SUSPENSION



悬架
SUSPENSION

序号 Item No.	零件代码 Part No	中文名称 Chinese Name	英文名称 English Name	数量 Quantity	单位 Unit	备注 Notes
10	230001855	减振器	SHOCK ABSORBER	2		
20	298000117	空气弹簧	AIR SPRING	2		
/10	230001289	风箱	BELLOWS	1		
/20	230001290	活塞	PISTON	1		
/30	230001291	板材	PLATE	1		
/40	230001299	缓冲器	BUFFER	1		

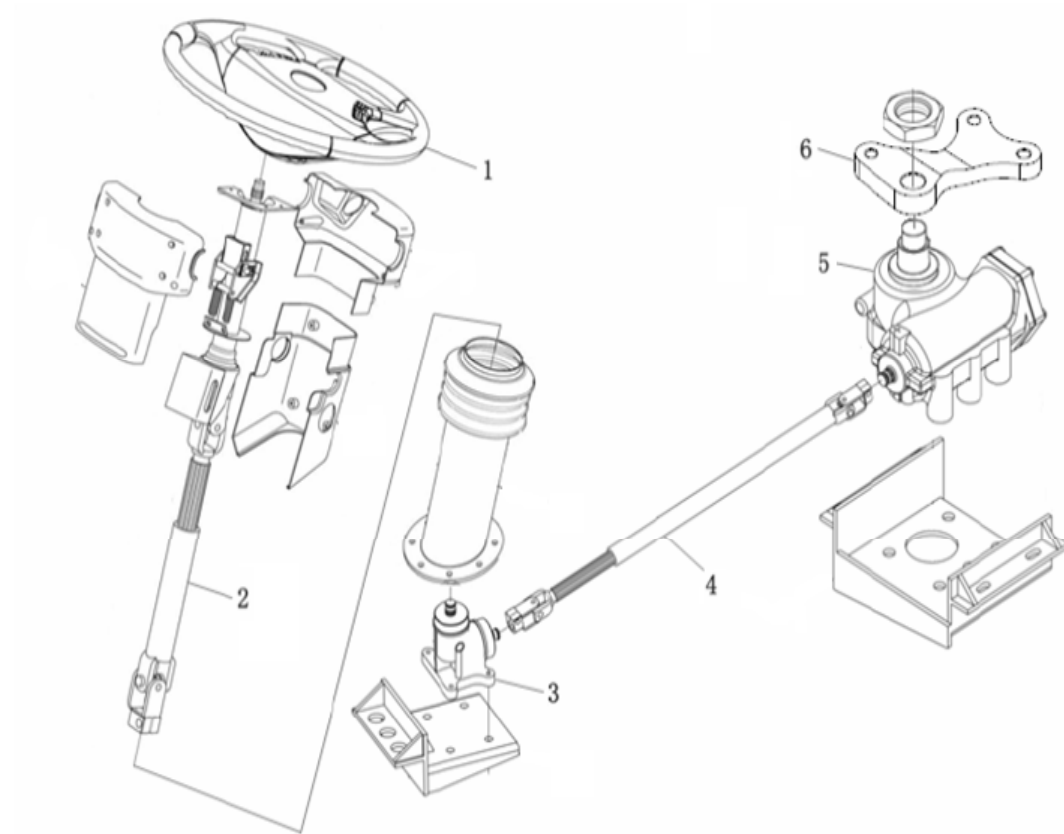
车轮
Wheel



车轮
Wheel

序号 Item No.	零件代码 Part No	中文名称 Chinese Name	英文名称 English Name	数量 Quantity	单位 Unit	备注 Notes
1	231200028	车轮	Wheel rim(flange location)	9		
2	231300460	轮胎	Tyre	9		
3	231400010	前轮罩总成	Stainless steel wheel cpver, front	4		
4	231400020	后轮罩总成	Stainless steel wheel cpver,rear	2		

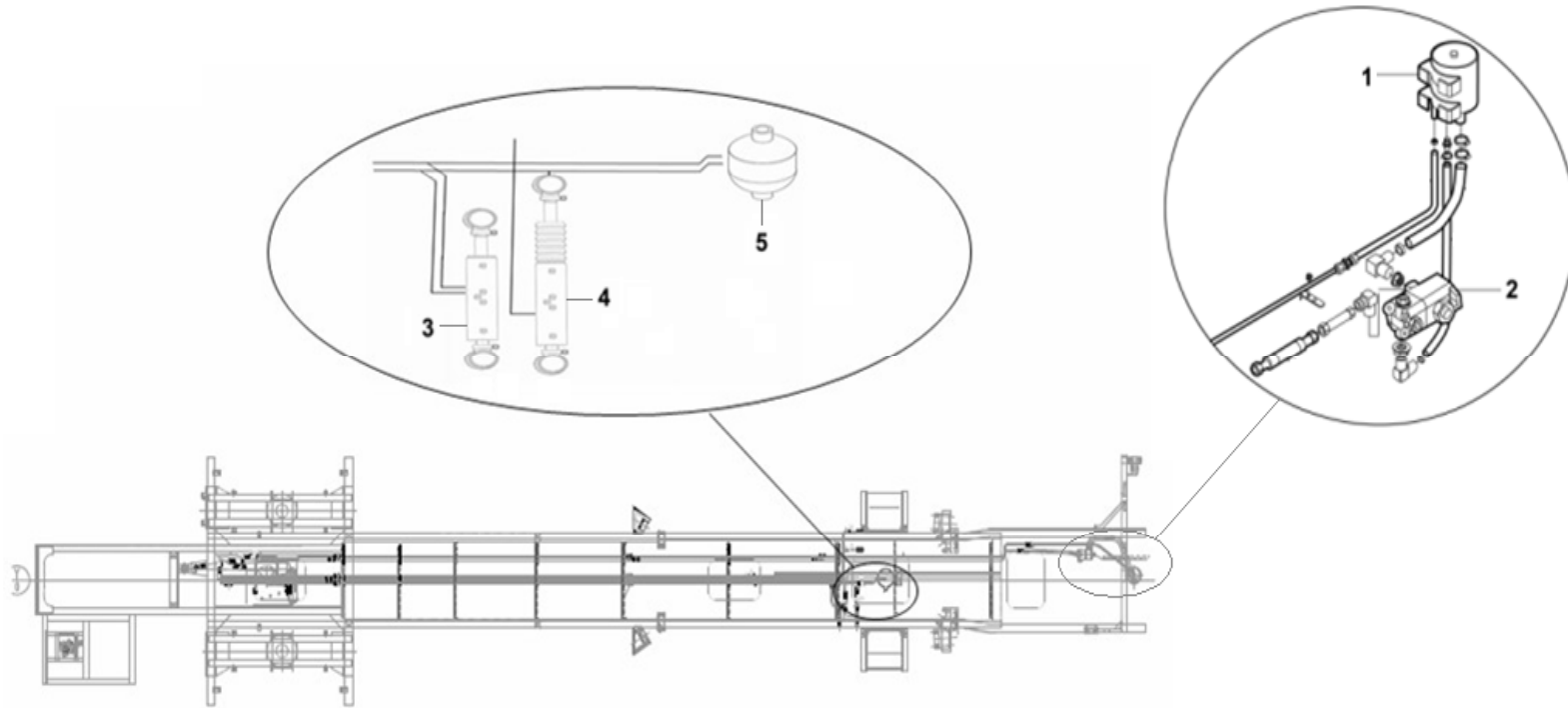
转向系统 (一)
Steering system (1)



转向系统 (一)
Steering system (1)

序号 Item No.	零件代码 Part No	中文名称 Chinese Name	英文名称 English Name	数量 Quantity	单位 Unit	备注 Notes
1	234200050	方向盘, 480	Steering wheel assy	1		
2	234300080	转向传动装置	Steering column	1		
3	234300640	角转向机总成	Steering engine assy	1		
4	234301040	转向轴总成	steering shaft	1		
5	234100090	转向机总成	steering engine	1		
6	234400530	转向垂臂	Steering Drop arm	1		

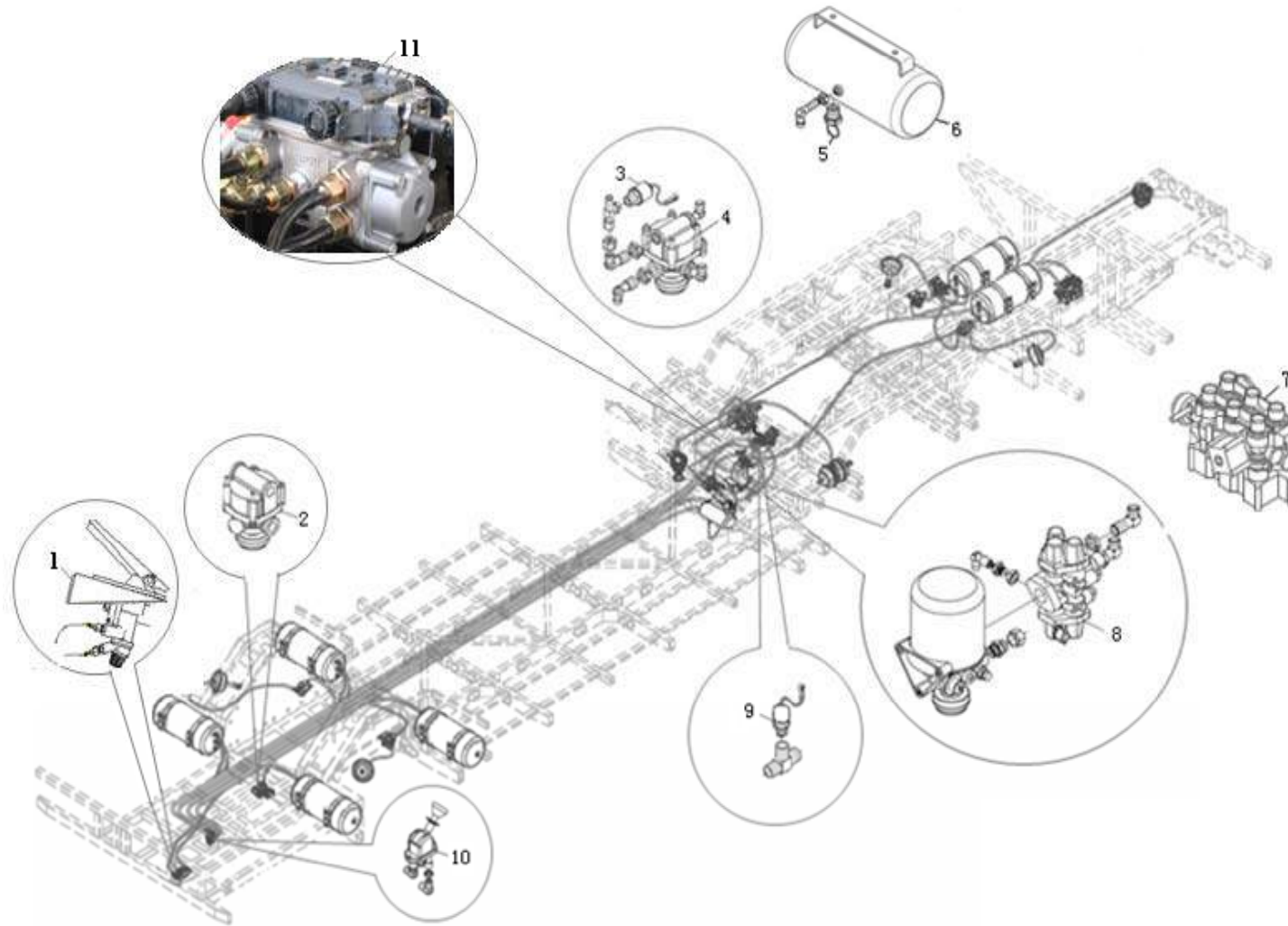
转向系统 (二)
Steering system (2)



转向系统 (二)
Steering system (2)

序号 Item No.	零件代码 Part No	中文名称 Chinese Name	英文名称 English Name	数量 Quantity	单位 Unit	备注 Notes
1	234600090	动力转向油罐总成	Steering oil tank	1		
2	234500260	转向油泵总成	Steering oil pump	1		
3	234600070	主油缸, ZF 8346 974 162	Master cylinder	1		
4	234600080	对中油缸, ZF 8346 974 164	Centering cylinder	1		
5	234600100	储能器, ZF 0501 005 099	Power accumulator	1		
	380103240	储能器抱箍, ZF 0501 005 099	Clip, power accumulator	1		

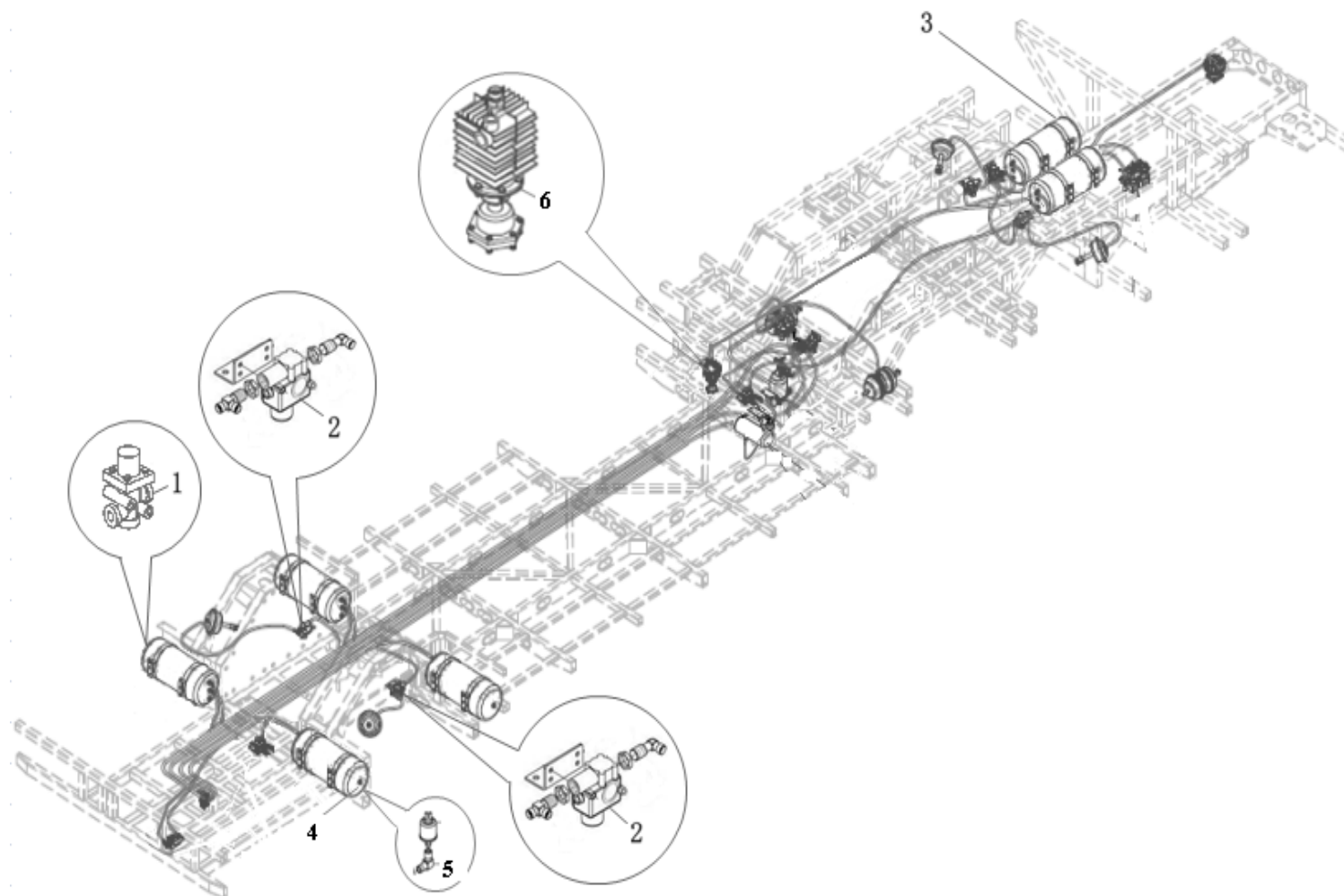
制动管路I
Brake pipelineI



制动管路I
 Brake pipelineI

序号 Item No.	零件代码 Part No	中文名称 Chinese Name	英文名称 English Name	数量 Quantity	单位 Unit	备注 Notes
1	235434590	EBS制动信号发生器	EBS Brake signal generator	1		
2	235500170	EBS比例继动阀	Relay valve	1		
3	238300370	气压过低报警器	Baroswitch, handle brake	1		
4	235500180	差动继动阀	Relay valve	1		
5	235500010	放水阀	Water drain valve	7		
6	235700220	再生罐	Regenerative air tank assembly	6		
7	229600020	ECAS系统	ECAS system	1		
8	235200140	复合式空气干燥器总成	Combined type air dryer assembly	1		
9	238300300	制动灯开关	Switch , brake lamp	1		
10	235500070	手制动阀总成	Brake valve, manual	1		
11	235600002	EBS桥调节器	EBS axle regulator	1		
	235500790	增压阀	Booster valve	1		
	229600140	压力保护阀	Pressure protective valve	1		
	235500200	单向阀	One-way valve	1		
	361100290	高温软管	Steel wire braided hose	1		
	361300090	制动软管, 750	Brake hose	6		
	235600130	EBS电磁阀	EBS magnet valve	1		

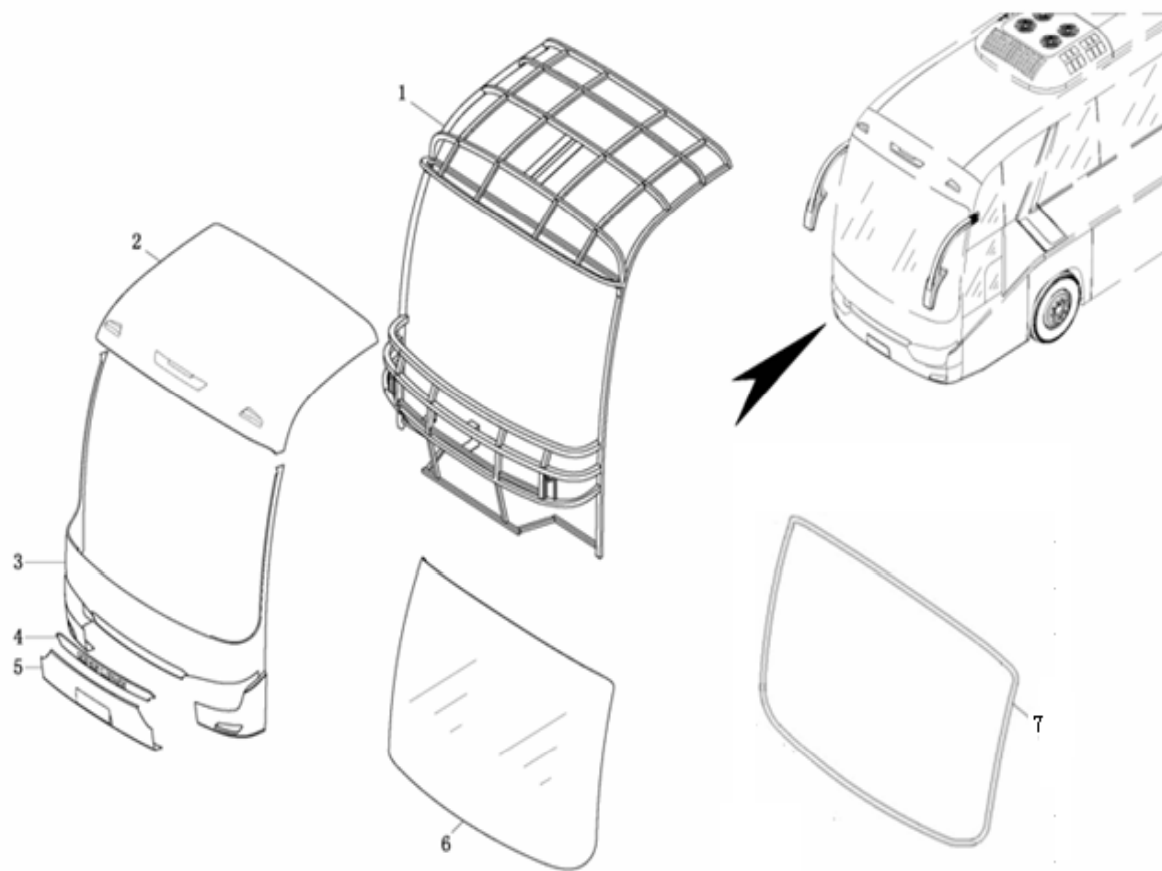
制动管路II
Brake pipelineII



制动管路II
Brake pipelineII

序号 Item No.	零件代码 Part No	中文名称 Chinese Name	英文名称 English Name	数量 Quantity	单位 Unit	备注 Notes
1	229600140	压力保护阀	Pressure protective valve	1		
2	235600020	ABS电磁阀总成	ABS magnet valve	1		
3	235700230B	储气筒, 30, 276, 保税件	air reservoir	2		
4	235700230B	储气筒, 30, 276, 保税件	air reservoir	4		
5	238300330	气压传感器	Air pressure sensor	2		
6	235200140	干燥器	Air condensor	1		

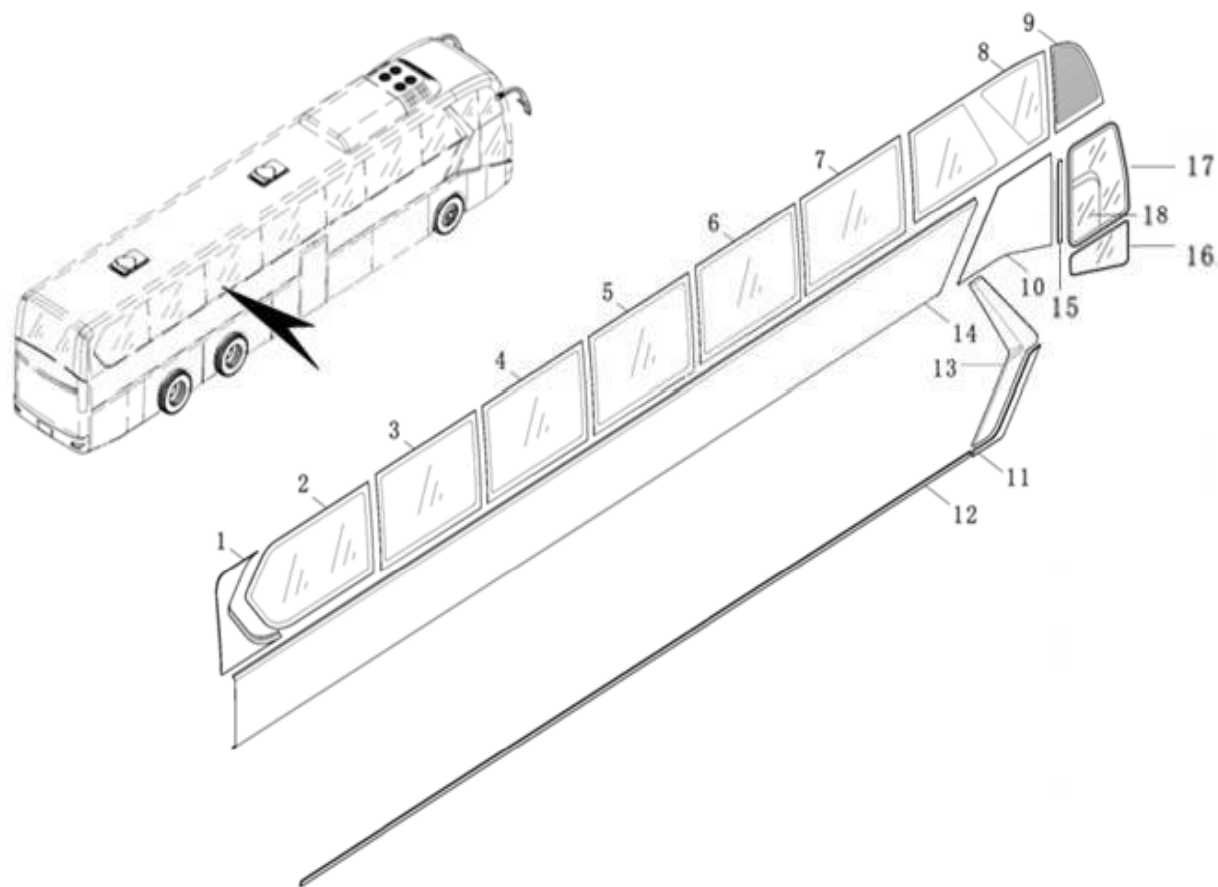
前围
Front wall



前围
Front wall

序号 Item No.	零件代码 Part No	中文名称 Chinese Name	英文名称 English Name	数量 Quantity	单位 Unit	备注 Notes
1	253100139	前围骨架总成	Framework, front wall	1		
2	253200590	前围上部蒙皮	Skin, front coping	1		
3	253201550	前围中部蒙皮(含左右灯框)	Skin, front coping	1		(含左右灯框)
4	253200610	前围蒙皮	Decoritive part, front	1		
5	253600730	前保险杠	Front bumper	1		
6	253300490	前风窗玻璃	Front windshield	1		
7	445000180	密封胶条	Seal rubber strip	8.5		

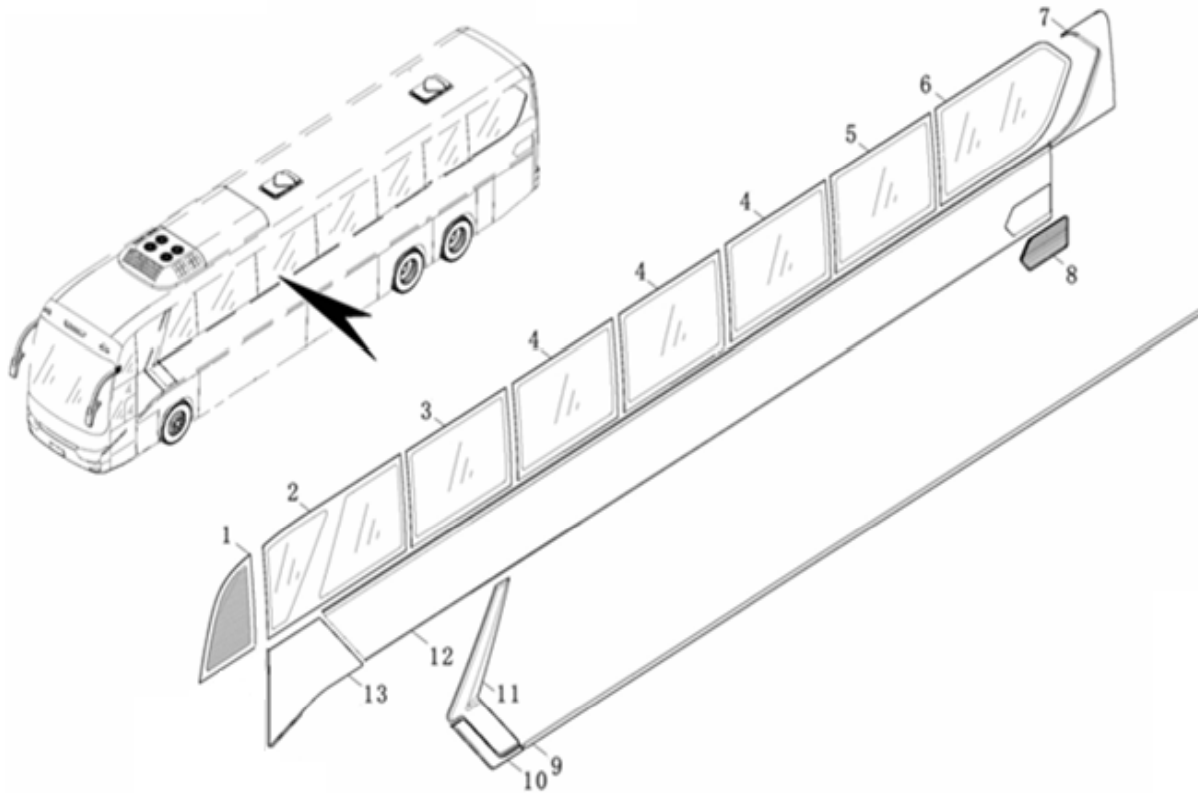
右侧围
Right side wall



右侧围
Right side wall

序号 Item No.	零件代码 Part No	中文名称 Chinese Name	英文名称 English Name	数量 Quantity	单位 Unit	备注 Notes
1	717000073	右侧后窗蒙皮	Skin	1		
2	255203495	右后, 侧围玻璃-中空	Glass	1		
3	255203485	右六, 侧围玻璃-中空	Glass	1		
4	255203475	左五, 侧围玻璃-中空	Glass	1		
5	255203465	右四, 侧围玻璃-中空	Glass	1		
6	255203455	右三, 侧围玻璃-中空	Glass	1		
7	255203445	左二, 侧围玻璃-中空	Glass	1		
8	255203435	右中空玻璃1	Glass	1		
9	255201060	右前, 侧围玻璃-中空	Glass	1		
10	255102000	右前下, 侧围玻璃-钢化	Glass	1		
11	236700290	右侧L形灯带	Light band, L - look	1		
12	236700430	侧围直灯带	light band, straight	1		
13	254300027	右侧K形装饰件	Decorative part, K -look	1		
14	717000700	侧围辊压蒙皮	Roll skin	1		
15	258900800	司机窗后窄条玻璃	Strip glass	1		
16	258900007	司机窗下固定玻璃	Driver window lower fixing glass	1		
17	258900006	司机窗玻璃-加热丝	Driver window glass - heated wire	1		
18	258900065	电动司机窗总成	Driver window	1		

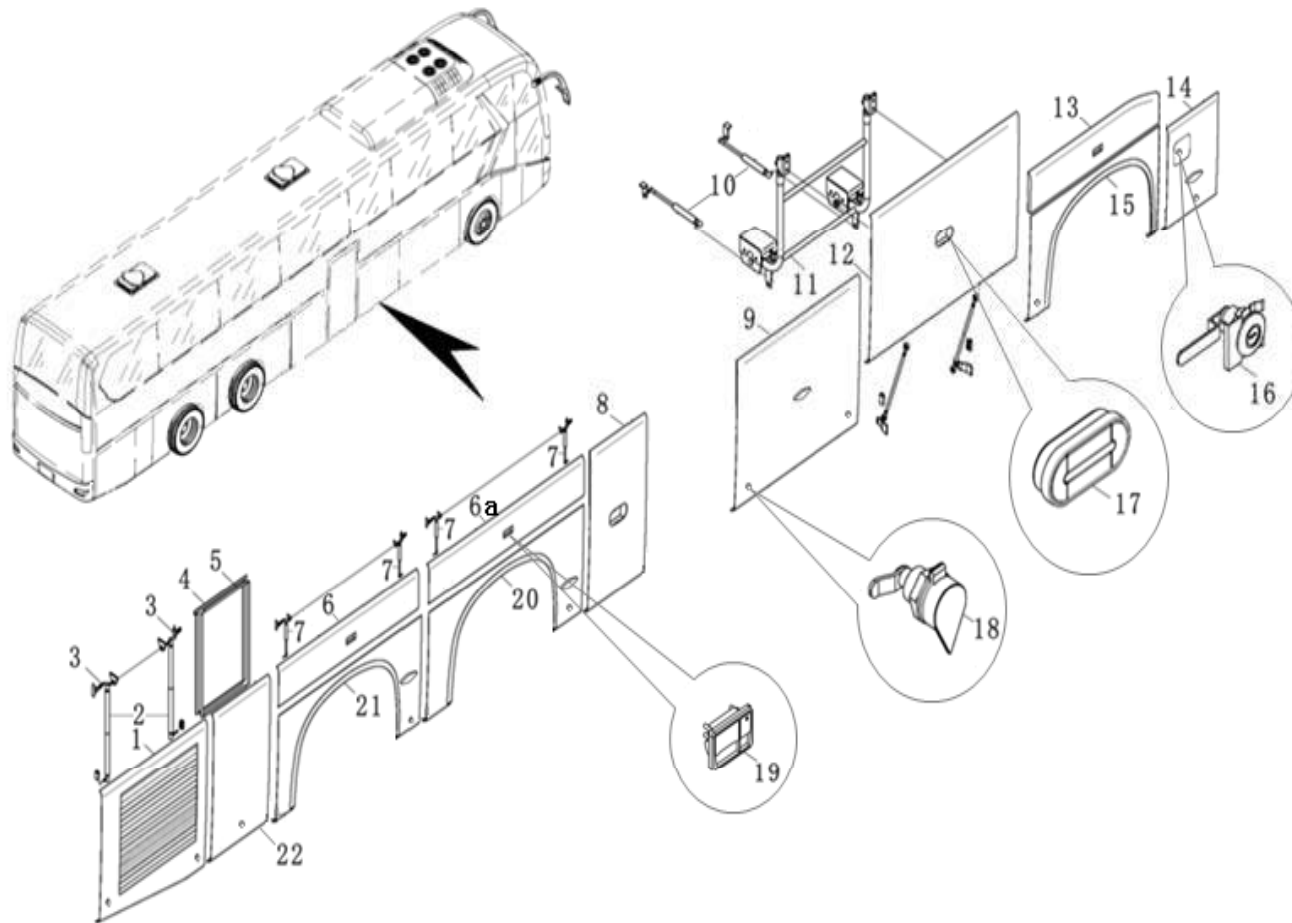
左侧围
Left side wall



左侧围
Left side wall

序号 Item No.	零件代码 Part No	中文名称 Chinese Name	英文名称 English Name	数量 Quantity	单位 Unit	备注 Notes
1	255201120	左前小窗中空玻璃	Glass, left front	1		
2	255203505	左一, 侧围玻璃-中空	Glass	1		
3	255203445	左二, 侧围玻璃-中空	Glass	1		
4	255203475	右三, 侧围玻璃-中空	Glass	3		
5	255203515	左中空玻璃6	Glass	1		
6	255203525	左后, 侧围玻璃-中空	Glass	1		
7	717000073	左侧后窗蒙皮	Skin	1		
8	254300388	左侧进气隔栅	Intake grille, Left side wall	1		
9	236700440	侧围直灯带	Light band, straight	1		
10	236700310	左侧L形灯带	Light band, L -look	1		
11	254300026	左侧K形装饰件	Decorative part, K-look	1		
12	717000700	侧围辊压蒙皮	Roll skin	1		
13	255102140	左前下窗玻璃	Glass	1		

右侧仓门
Right side bin gate



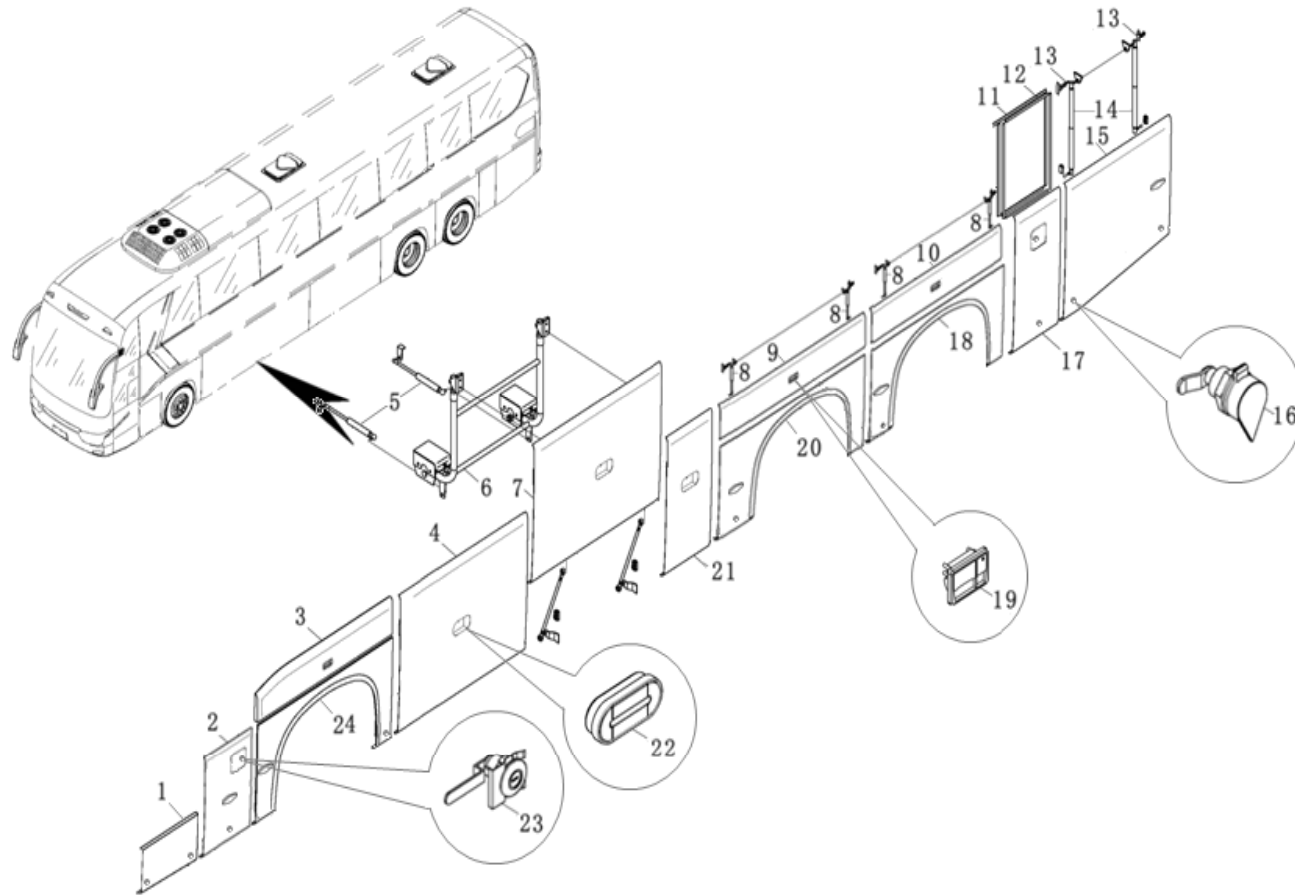
右侧仓门
Right side bin gate

序号 Item No.	零件代码 Part No	中文名称 Chinese Name	英文名称 English Name	数量 Quantity	单位 Unit	备注 Notes
1	259210310	右后水箱仓门	Right rear water tank bin gate	1		
2	340600080	气弹簧-500-180-380N	Air spring	21		
	316800570	气弹簧下支座	Support,Air spring	4		
4	445000240	行李仓门密封胶条	Seal rubber strip	22m		
	445000250	舱门密封胶条(20mm宽), F115	Seal rubber strip	2.5m		
	445000290	行李仓上密封条(大巴), F129	Seal rubber strip	0.85m		
5	445000320	行李仓内密封胶条, (0.035m)	Seal rubber strip	4.8m		
6	259103890	右后轮上仓门(后)	Right rear wheel upper bin gate	1		
6a	259103880	中桥上方侧仓门	Bin gate	1		
7	340600270	气弹簧-250-90-60N	Air spring	12		
8	259200195	司机睡铺仓门, 侧仓门-铁铰链	Bin gate	1		
9	259200197	卫生间水箱仓	Bin gate	1		
10	340600080	气弹簧-500-184-380N	Air spring	2		
	340600250	气弹簧-500-180-1000N	Air spring	8		
11	259800079	侧仓门手摆机构	Bin gate hand-swing mechanism	1		
12	259502120	右一侧仓门-手动外摆	Bin gate,hand-swing	1		
13	259103860	右前轮上仓门	Bin gate,Right front wheel upper	1		
14	259200596	右前油箱仓门	Bin gate	1		
15	259900034	右前轮翼板	Right front wheel Wing plank	1		
16	259800020	油箱锁	Lock, fuel tank	2		
17	259800060B	椭圆带灯行李仓锁	Ellipse lock, with lamp	6		
18	259800200	简易锁	Simple lock	9		
19	259800810	黑色方形行李仓锁	Ellipse lock	6		
20	259900037	右中桥轮翼板	Wing plank,right middle wheel	1		

右侧仓门
Right side bin gate

序号 Item No.	零件代码 Part No	中文名称 Chinese Name	英文名称 English Name	数量 Quantity	单位 Unit	备注 Notes
21	259900036	右后轮翼板(后)	Right rear wheel Wing plank	1		
22	259200194	右后电瓶仓门	Right rear battery bin gate	1		

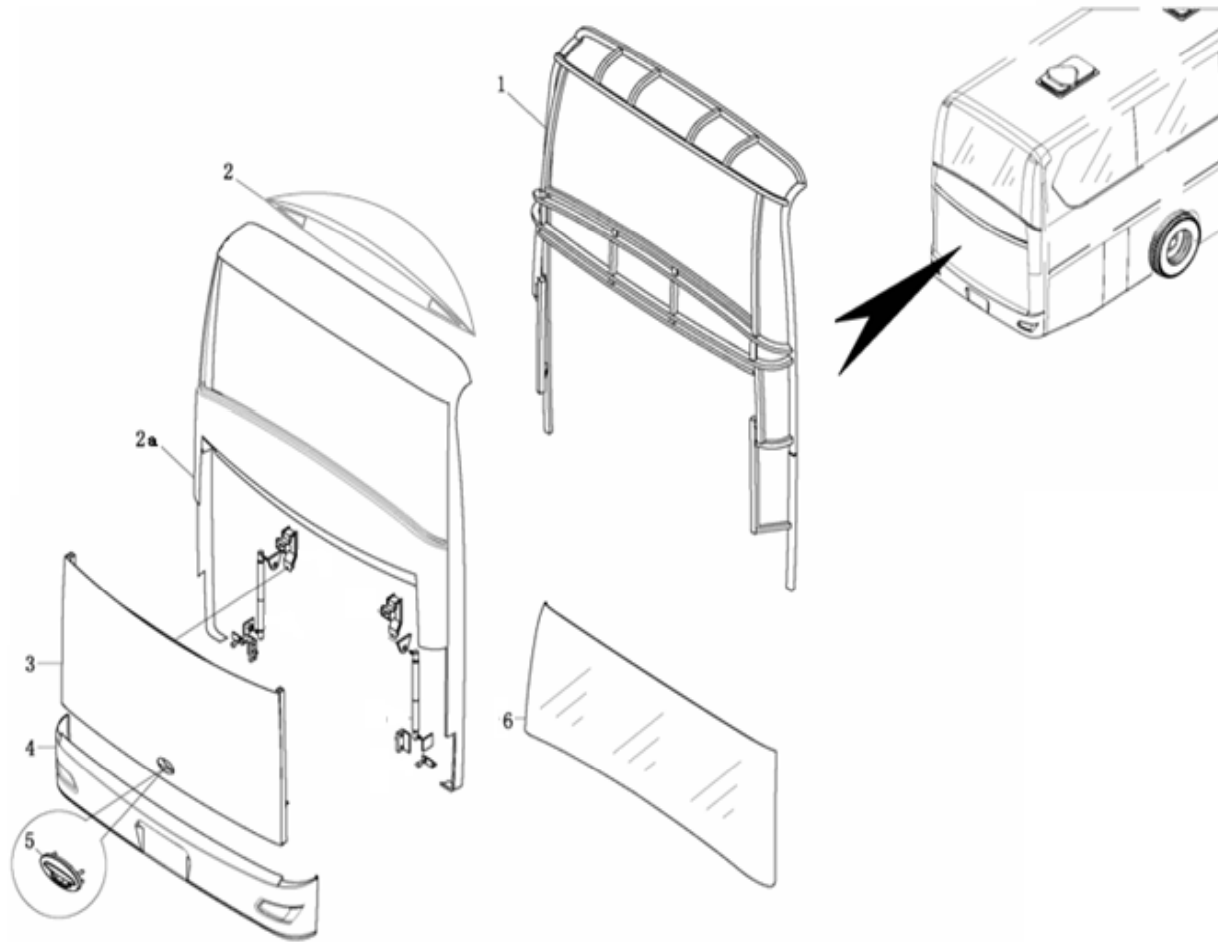
左侧仓门
Left side bin gate



左侧仓门
Left side bin gate

序号 Item No.	零件代码 Part No	中文名称 Chinese Name	英文名称 English Name	数量 Quantity	单位 Unit	备注 Notes
1	259200196	司机窗下小仓门	Bin gate,driver window lower	1		
2	259200595	左前油箱仓门	Bin gate,left front fuel tank	1		
3	259103950	左前轮上仓门	Bin gate,left front wheel upper	1		
4	259500075	右一侧仓门-手动外摆	Right bin gate	1		
5	340600080	气弹簧-500-180-380N	Air spring	21		
6	259800309	侧仓门手摆机构	Bin gate hand-swing mechanism	2		
7	259502140	左二侧仓门-手动外摆	Bin gate hand-swing mechanism,left	1		
8	340600270	气弹簧-250-90-60N	Air spring	12		
9	259103960	中桥上方侧仓门	Bin gate	1		
10	259103970	左后轮上仓门(后)	Bin gate,Left rear wheel upper	1		
11	445000240	行李仓门密封胶条	Seal rubber strip	22m		
	445000250	舱门密封胶条(20mm宽), F115	Seal rubber strip	2.5m		
	445000290	行李仓上密封条(大巴), F129	Seal rubber strip	0.85m		
12	445000320	行李仓内密封胶条, (0.035m)	Seal rubber strip	4.8m		
14	340600080	气弹簧-500-180-380N	Air spring	4		
15	259210310	左后水箱仓门	Bin gate ,Left rear water	1		
16	259800200	简易锁	Simple lock	9		
17	259200193	左后尿素罐仓门	Bin gate ,left rear urea tin	1		
18	259900035	左后轮翼板[后]	Left rear wheel Wing plank	1		
20	259900033	左中桥轮翼板	Left middle wheel wing plank	1		
22	259800060B	椭圆带灯行李仓锁	Ellipse lock, with lamp	3		
23	259800020	油箱锁	Lock, fuel tank	3		
24	259900038	左前轮翼板	Left front wheel Wing plank	1		

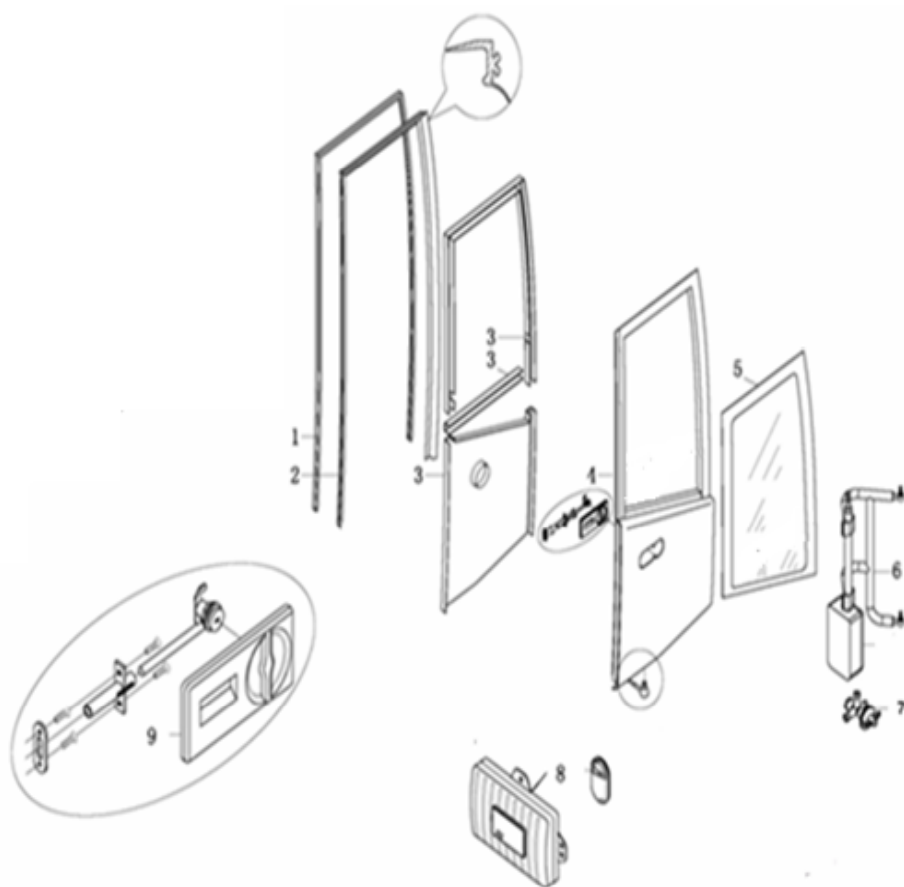
后围
Rear wall



后围
Rear wall

序号 Item No.	零件代码 Part No	中文名称 Chinese Name	英文名称 English Name	数量 Quantity	单位 Unit	备注 Notes
1	256100023	后围骨架总成	Framework, rear wall	1		
2	256200900	后围外护面	Exterior skin, rear wall	1		
3	256400840	后仓门总成	Rear bin gate assy	1		
4	256600560	后保险杠	Rear bumper	1		
5	259800170	仓门锁	Lock, bin gate	1		
6	256300122	后挡风玻璃	Rear windshield	1		
7	445000180	密封胶条, BFH004	Sealing strip	5		

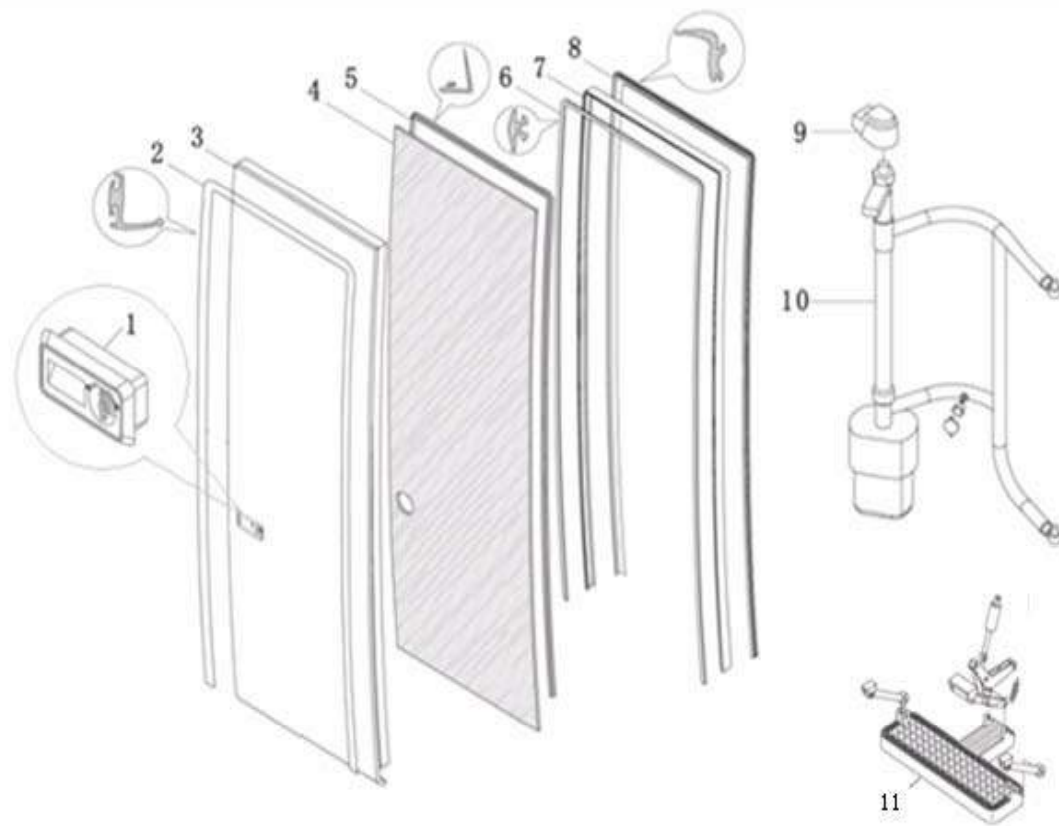
前乘客门总成
Front passenger door



前乘客门总成
Front passenger door

序号 Item No.	零件代码 Part No	中文名称 Chinese Name	英文名称 English Name	数量 Quantity	单位 Unit	备注 Notes
1	261400340	门框止口铝型材	Aluminum section	1		
2	261600660	门框密封胶条	Seal rubber strip, doorcase	1		
3	261200097	上段内护板-前乘客门	Inner guard plate, passenger door	1		
	261200096	下段内护板-前乘客门	Inner guard plate, passenger door	1		
4	261100037	前乘客门骨架	Front passenger door Skeleton	1		
5	261300131	前门玻璃	Glass, front door	1		
6	261500170	门泵总成	Door pump assy	1		
7	261500223	乘客门车外应急阀	Quick release valve	2		
8	261501570	乘客门控制器, YK1001	Controller , door lock	1		
9	261500100	乘客门锁	Lock, passenger door	1		

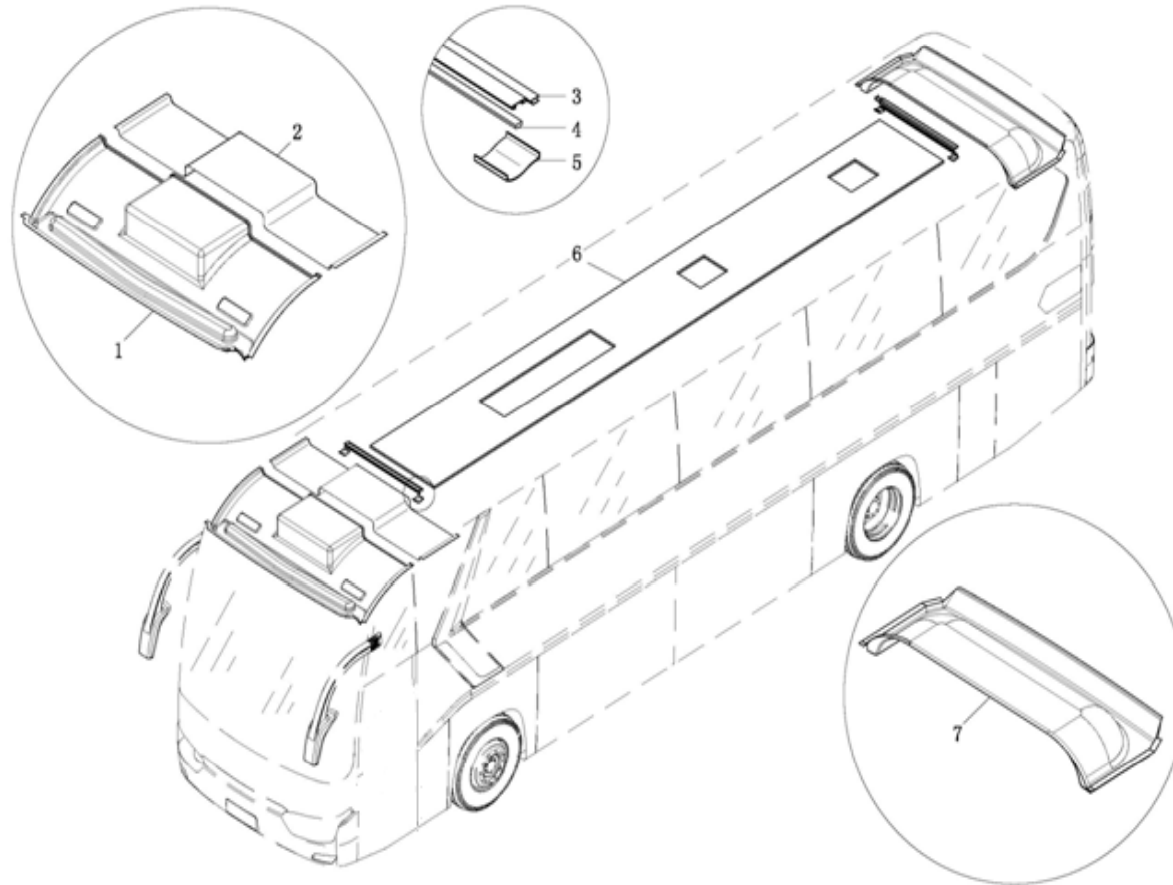
中乘客门总成
Middle passenger door



中乘客门总成
Middle passenger door

序号 Item No.	零件代码 Part No	中文名称 Chinese Name	英文名称 English Name	数量 Quantity	单位 Unit	备注 Notes
1	261500100	乘客门锁	Lock, passenger door	1		
2	261601210	中门胶条	Rubber strip, middle door	1		
3	262100100	中乘客门骨架	Framework Central door	1		
4	262200083	中门内护板	Inside Protect Panel, middle door	1		
5	445000420	胶条, B448	Rubber strip, door inside seal panel	5.1		
6	445000130	门框外胶条	Outer rubber strip, doorcase	5.2		
7	431170010	门止口铝型材	Aluminium section, door column	1		
8	261601200	中门门框胶条	Upper rubber strip, middle door	1		
9	261700060	装饰罩-门泵	Cover	1		
10	261500170	门泵总成	Outer-swing mechanism assembly	1		
11	261400012	活动踏步机构总成	Moveable footplate assy	1		

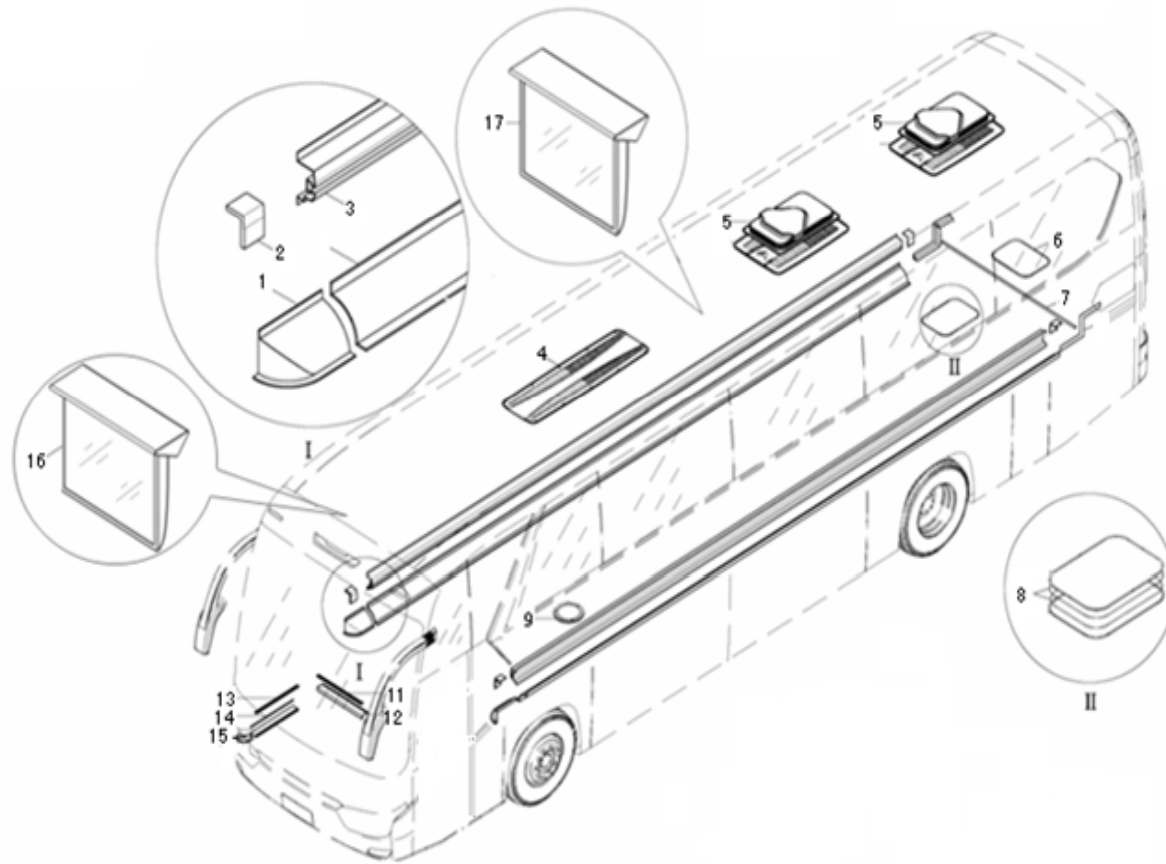
内饰 (1)
Inner trim(1)



内饰 (1)
Inner trim(1)

序号 Item No.	零件代码 Part No	中文名称 Chinese Name	英文名称 English Name	数量 Quantity	单位 Unit	备注 Notes
1	257200589	前内顶, 6130Y前内顶前部分	Moulding roof, front inside(1)	1		
2	257200592	前内顶, 6130Y前内顶后半部	Moulding roof, front inside(2)	1		
3	431200020	顶棚压条铝型材	Aluminum section	2		
4	433000070	顶棚塑料嵌条	Plastic caulking strip , roof	2		
5		铝合金装饰端盖	End cover, aluminum alloy	4		
6	257200591	中顶板-灰白色, 37090	Board	1		
7	257200593	后内顶	Moulding roof, rear inside	1		
	257202470	后成型顶装饰件	Moulding roof decorative fitting, rear insi	1		

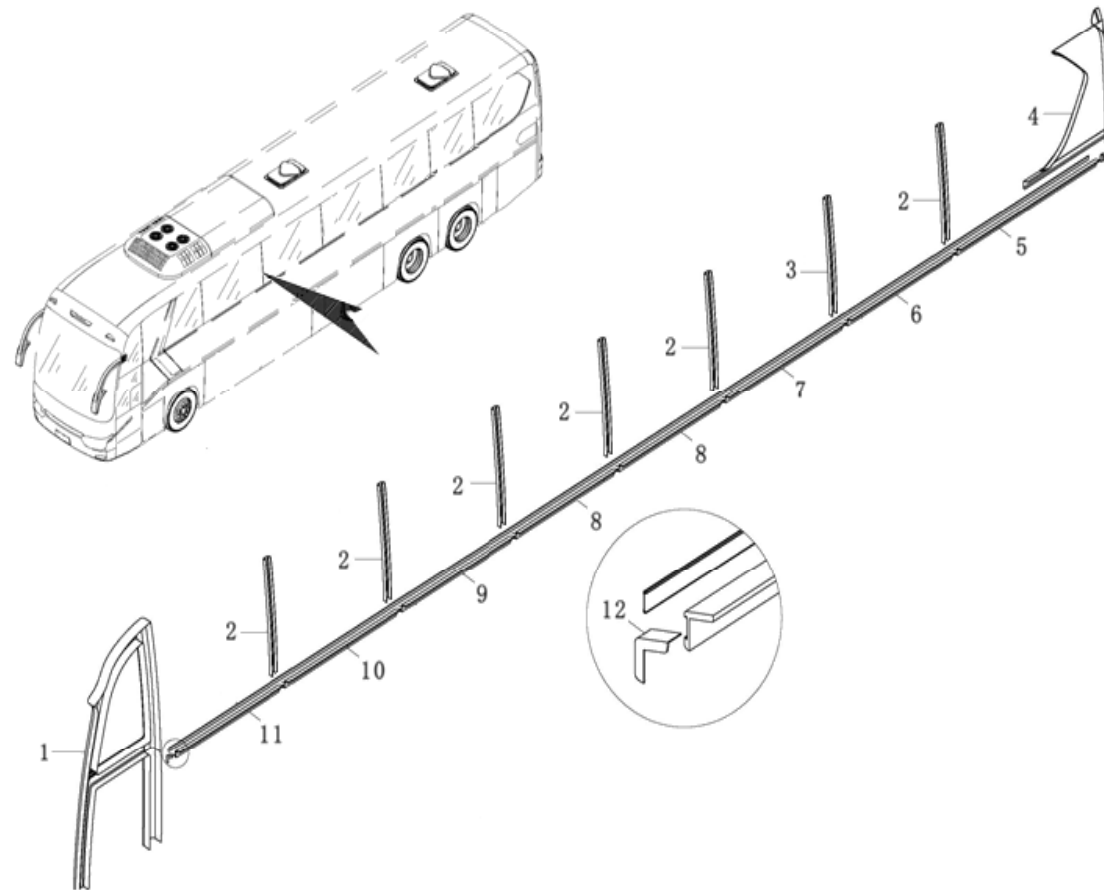
内饰 (2)
Inner trim(2)



内饰 (2)
Inner trim(2)

序号 Item No.	零件代码 Part No	中文名称 Chinese Name	英文名称 English Name	数量 Quantity	单位 Unit	备注 Notes
1	251500960	水暖护罩封头	Sealing head, heater shield	6		
2	251507940	座椅型材端头盖	End cover, passenger seat section	3		
3	431340010	铝型材, 1688D	Mouting aluminium section, seat	19		
4	281600033	回风格栅	Grille,air recirculated	1		
5	257300139	天窗	Scuttle	2		
6	251400220	变速箱检修盖, 497*357	Access cover Transmission	2		
7	251501020	地板外角压条铝型材	Batten aluminium section, outer floor cor	6		
8	251400180	检修盖 597*447	Access cover	4		
9	251400240	地板检修盖, D190*17	Access cover Floor	1		
10	445000150	上车警示胶条(黄色)	warning adhesive for getting on(yellow)	2		
11	251508140	踏步灯型材	Aluminum section,front door step lamp	30.3		
12	445000150	上车警示胶条(黄色)	warning adhesive for getting on(yellow)	2		
13	251508140	踏步灯型材	Aluminum section,front door step lamp	30.3		
14	431110010	踏步警示条铝型材	mark time catuion piece alumimium mate	2		
15	445000150	上车警示胶条(黄色)	warning adhesive for getting on(yellow)	2		
16	279100420	17寸固定液晶电视	LED TV,17 inches	1		
17	279101890	15寸电动液晶电视	LED TV,15 inches	2		
18	236501460	踏步灯, 宏昌/HC82*77	Lamp, step	3		

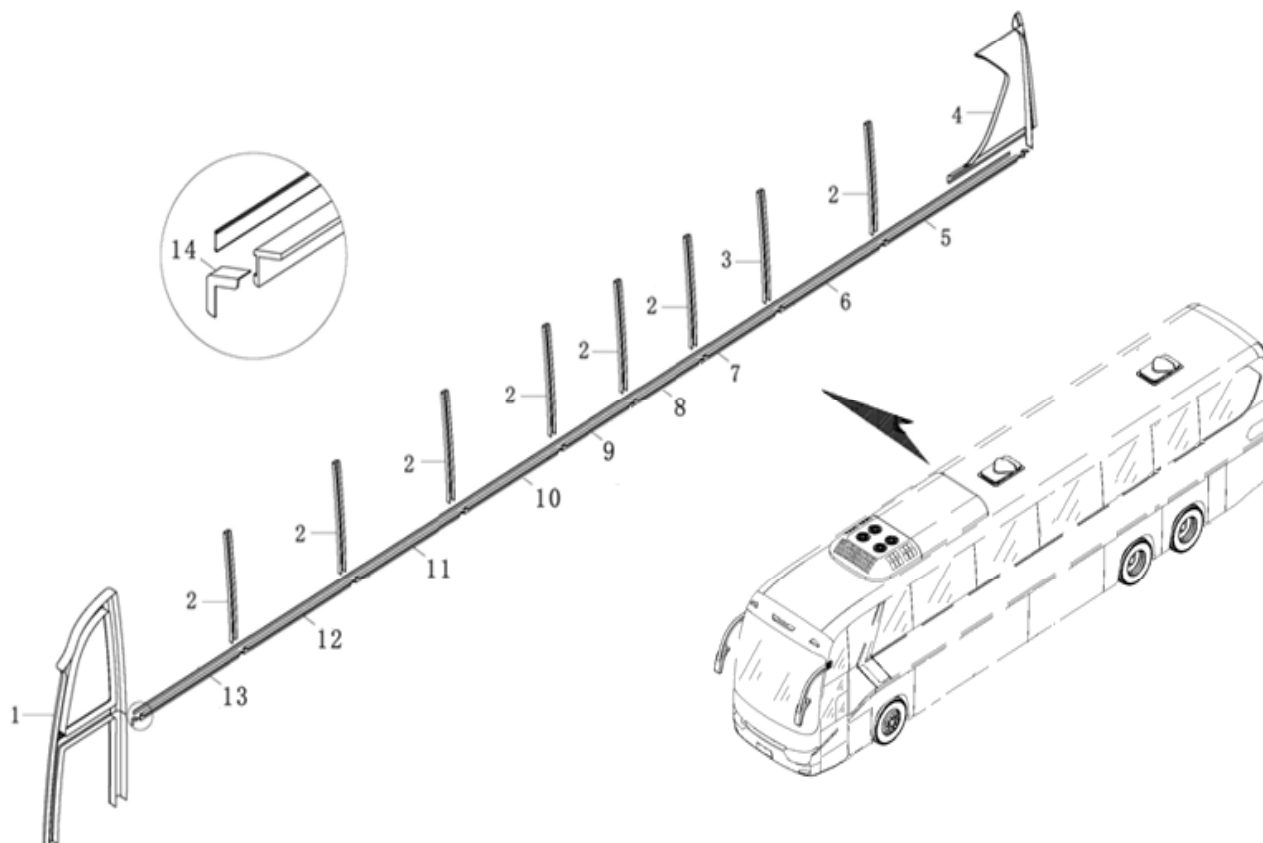
內飾 (3)
Inner trim(3)



内饰 (3)
Inner trim(3)

序号 Item No.	零件代码 Part No	中文名称 Chinese Name	英文名称 English Name	数量 Quantity	单位 Unit	备注 Notes
1	254401159	前围左侧护板	Guard plate,front wall left side	1		
2	254401178	中窗立柱包层柱	Clad column,middle window post	6		
3	254401165	中窗立柱包层柱(宽)	Clad column,middle window post	1		
4	254401184	后围左侧护板	Guard plate,rear wall left side	1		
5	254401179	左八窗下沿包层柱	Clad column	1		
6	254401181	左七窗下沿包层柱	Clad column	1		
7	254401177	左六窗下沿包层柱	Clad column	1		
8	254401182	左四窗下沿包层柱	Clad column	2		
9	254401168	左三窗下沿包层柱	Clad column	1		
10	254401171	左二窗下沿包层柱	Clad column	1		
11	254401167	左一窗下沿包层柱	Clad column	1		
12	254401169	包层柱端盖	Clad column end cover	1		
	254401176	包层柱端盖	Clad column end cover	1		

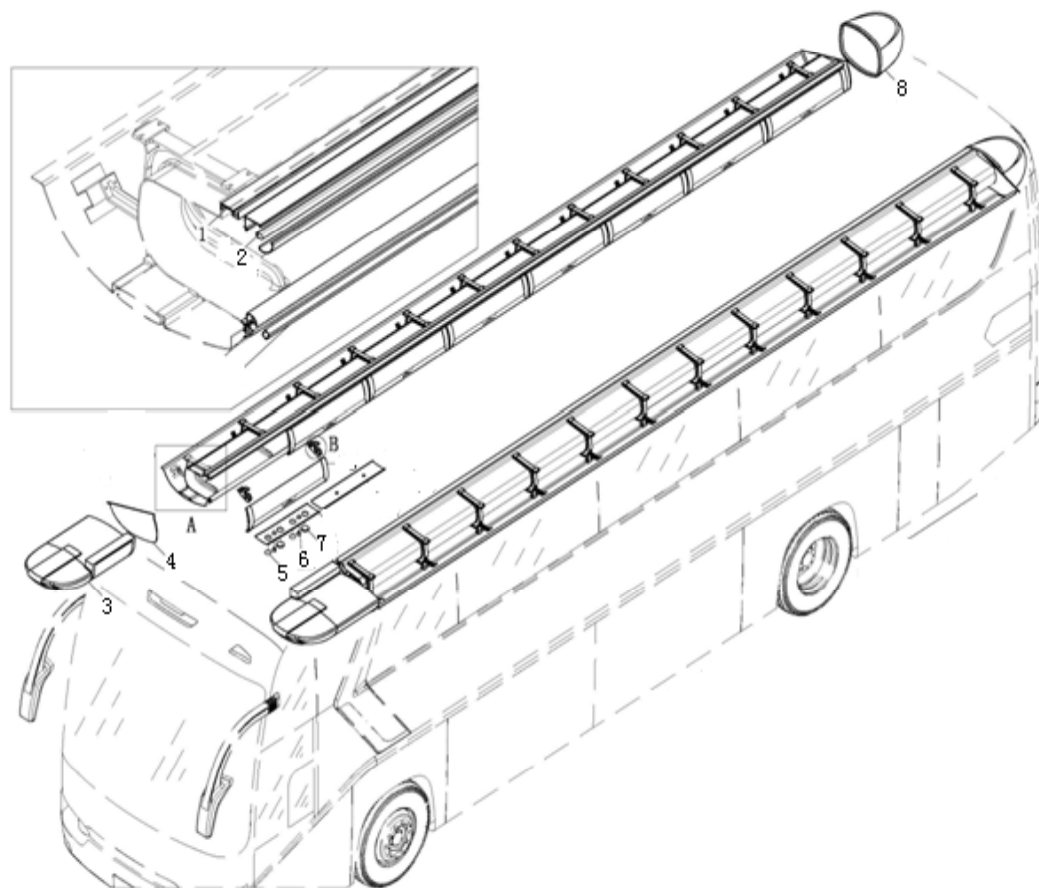
内饰 (4)
Inner trim(4)



内饰 (4)
Inner trim(4)

序号 Item No.	零件代码 Part No	中文名称 Chinese Name	英文名称 English Name	数量 Quantity	单位 Unit	备注 Notes
1	254401162	前围右侧护板	Guard plate,front wall right side	1		
2	254401178	中窗立柱包层柱	Clad column,middle window post	7		
3	254401165	中窗立柱包层柱(宽)	Clad column,middle window post	1		
4	254401183	后围右侧护板	Guard plate,rear wall right side	1		
5	254401175	右侧九窗下沿包层柱	Clad column	1		
6	254401164	右侧八窗下沿包层柱	Clad column	1		
7	254401163	右侧七窗下沿包层柱	Clad column	1		
8	254401172	右侧六窗下沿包层柱	Clad column	1		
9	254401166	右侧五窗下沿包层柱	Clad column	1		
10	254401174	右侧四窗下沿包层柱	Clad column	1		
11	254401168	右侧三窗下沿包层柱	Clad column	1		
12	254401171	右侧二窗下沿包层柱	Clad column	1		
13	254401173	右侧一窗下沿包层柱	Clad column	1		
14	254401176	右侧尾窗包层柱端盖	Clad column end cover,RH front window	1		
	254401169	右侧前窗包层柱端盖	Clad column end cover,RH rear window	1		

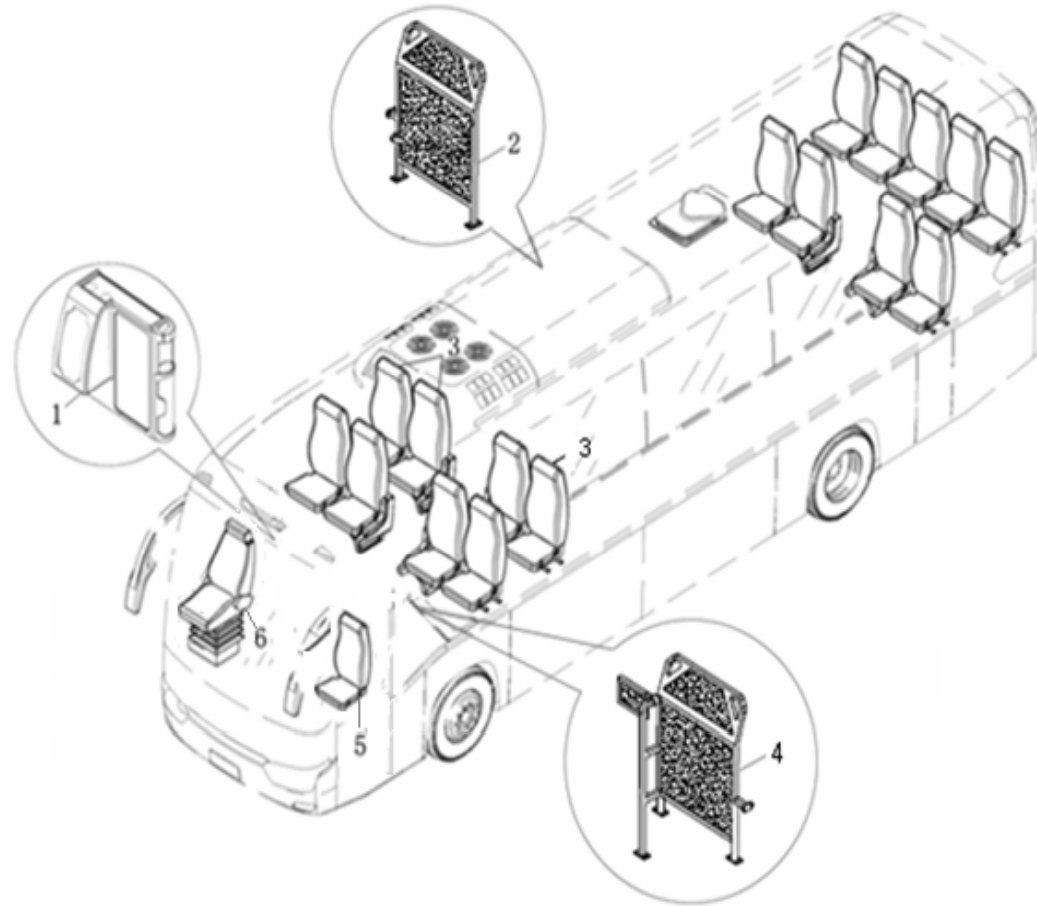
内饰 (5)
Inner trim(5)



内饰 (5)
Inner trim(5)

序号 Item No.	零件代码 Part No	中文名称 Chinese Name	英文名称 English Name	数量 Quantity	单位 Unit	备注 Notes
1	257600600	装饰罩	Ornamental cover	4		
2	283200260	消毒灯, TDK-1	Fluorescent lamp	2		
3	257600242	行李架左侧前端头	Luggage rack end,LH front	1		
3	257600239	行李架右侧前端头	Luggage rack end,RH front	1		
4	257600282	行李架隔断装饰罩	Separating decorative cover,luggage rack	4		
5	257600550	组合阅读灯	Reading lamp, K01	28		
	257600042	组合阅读灯	Reading lamp, K01	2		
6	257602290	开关(带外扣)	Switch	6		
7	257800022	风道出风口	K01 Air outlet	20		
	257800100	风道出风口, K01型	Air outlet	4		
8	257600158	行李架右侧后端头	Luggage rack end,RH rear	1		
8	257600157	行李架端头, 左后	Luggage rack end,LH rear	1		
	257600187	行李架端板	Luggage rack side plate	1		
	257500145	6130Y, 左侧行李架总成	left Luggage rack assembly	1		
	257500144	6130Y, 右侧行李架总成	right Luggage rack assembly	1		

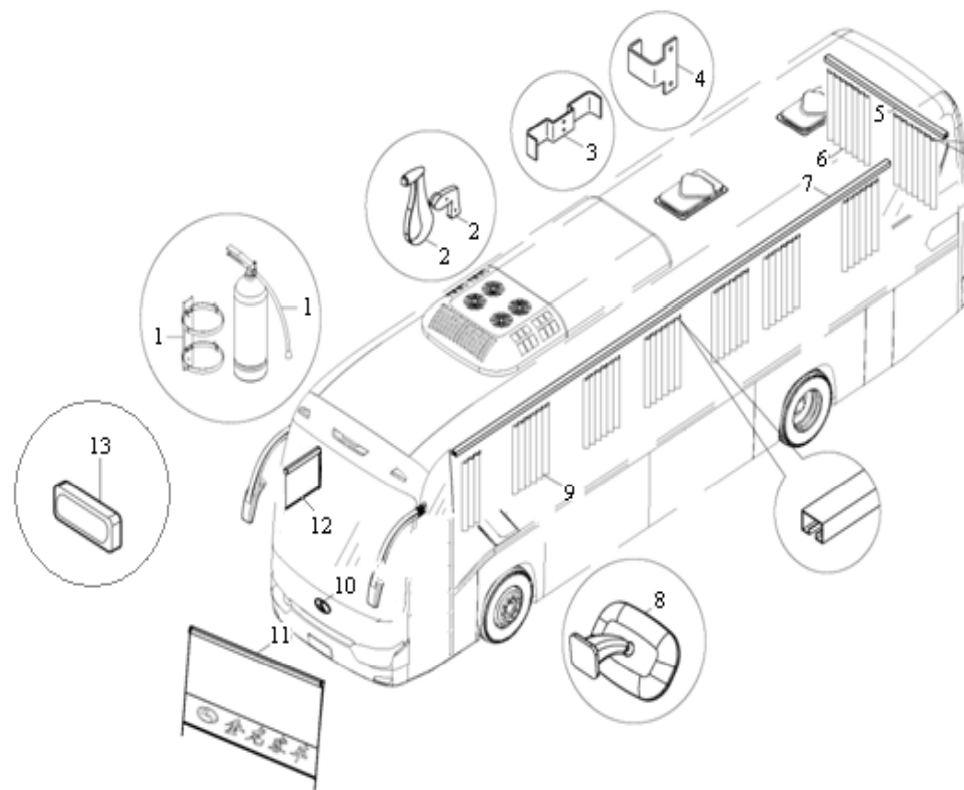
座椅及护栏
Seat and Guard rail



座椅及护栏
Seat and Guard rail

序号 Item No.	零件代码 Part No	中文名称 Chinese Name	英文名称 English Name	数量 Quantity	单位 Unit	备注 Notes
1	283100041	饮水机	Water dispenser	1		
2	276100040	中门防护栏带扶手	Middle door protection barrier with elbow	1		
3	267306400	座椅	Double seats,right side,K01	57		
4	276100720	司机防护栏	Guard rail,driver	1		
5	267200170	导游椅, 坐式	Dragoman seat	1		
6	267100191	司机椅	Driver chair	1		
	267500210	三点式安全带	Safety belt, three dot	57		
	267500140	普通脚踏, 三档	Pedal, seat	50		

车身附件
Body accessories

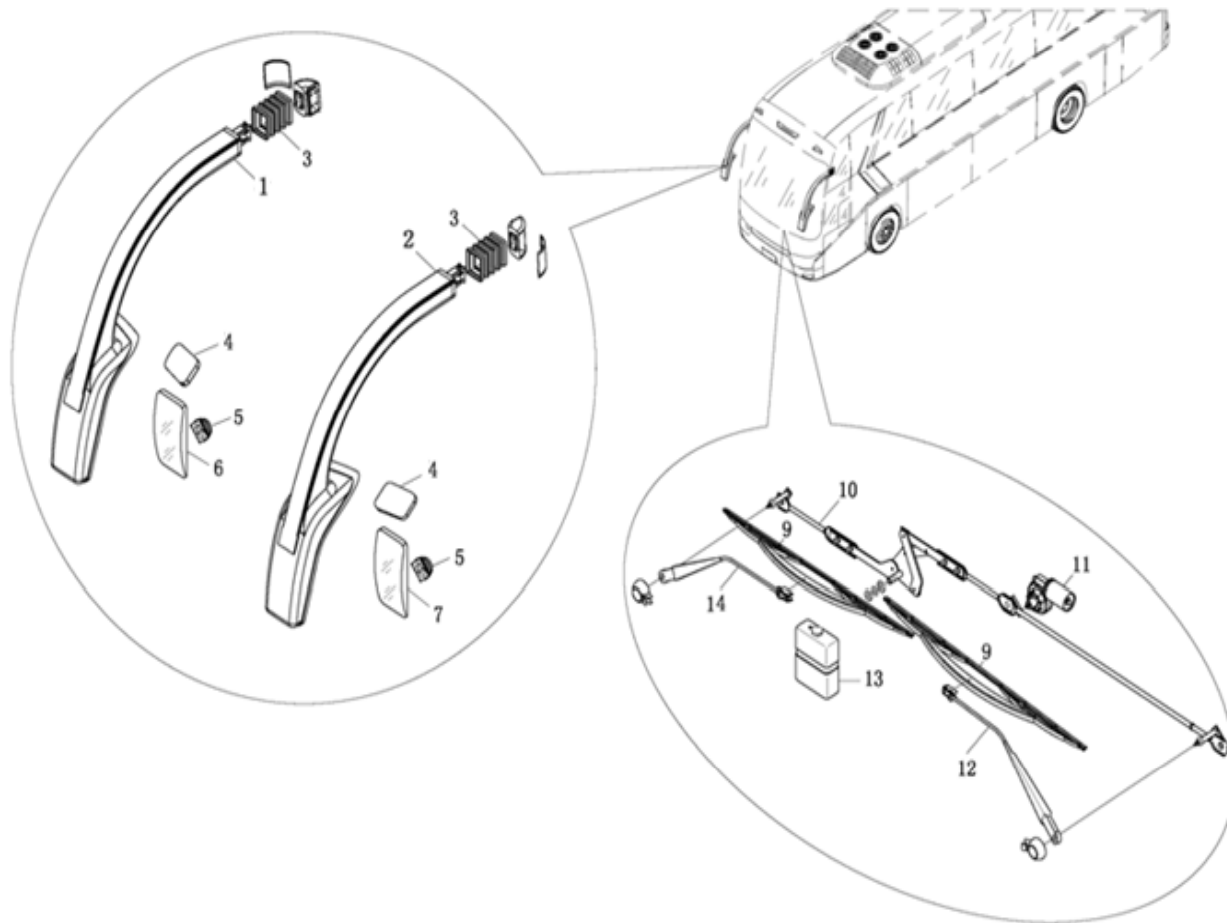


车身附件

Body accessories

序号 Item No.	零件代码 Part No	中文名称 Chinese Name	英文名称 English Name	数量 Quantity	单位 Unit	备注 Notes
1	282500074	灭火器总成(3L/英文)	Fire extinguisher assembly	2		
2	282500100	安全锤	Emergency hammer	16		
3	282300492	窗帘挂钩(中窗双头)	Curtain pothook	6		
4	282300502	窗帘挂钩(前后端单头)	Curtain pothook	15		
5	431250010	窗帘槽铝型材	Aluminum, curtain rail	23		
6	282300262	后档窗帘	Curtain	2		
7	431250010	窗帘槽铝型材	Aluminum, curtain rail	23		
8	282100079	内后视镜	Rearview mirror	1		
9	282300082	窗帘	Curtain	26		
9	282300229	窗帘	Curtain	3		
10	239300040	金龙大商标牌(新)	Logo, big	3		
11	282300022	电动,单幅,9.9,遮阳帘,有导杆	Sunproof curtain, manual	2		
12	282100090	电子钟	Electronic display board(1)	1		
13	282300440	司机侧遮阳帘	Side sunproof curtain,driver	1		
14	282100080	电子显示牌(一)	Electronic display board(1)	1		

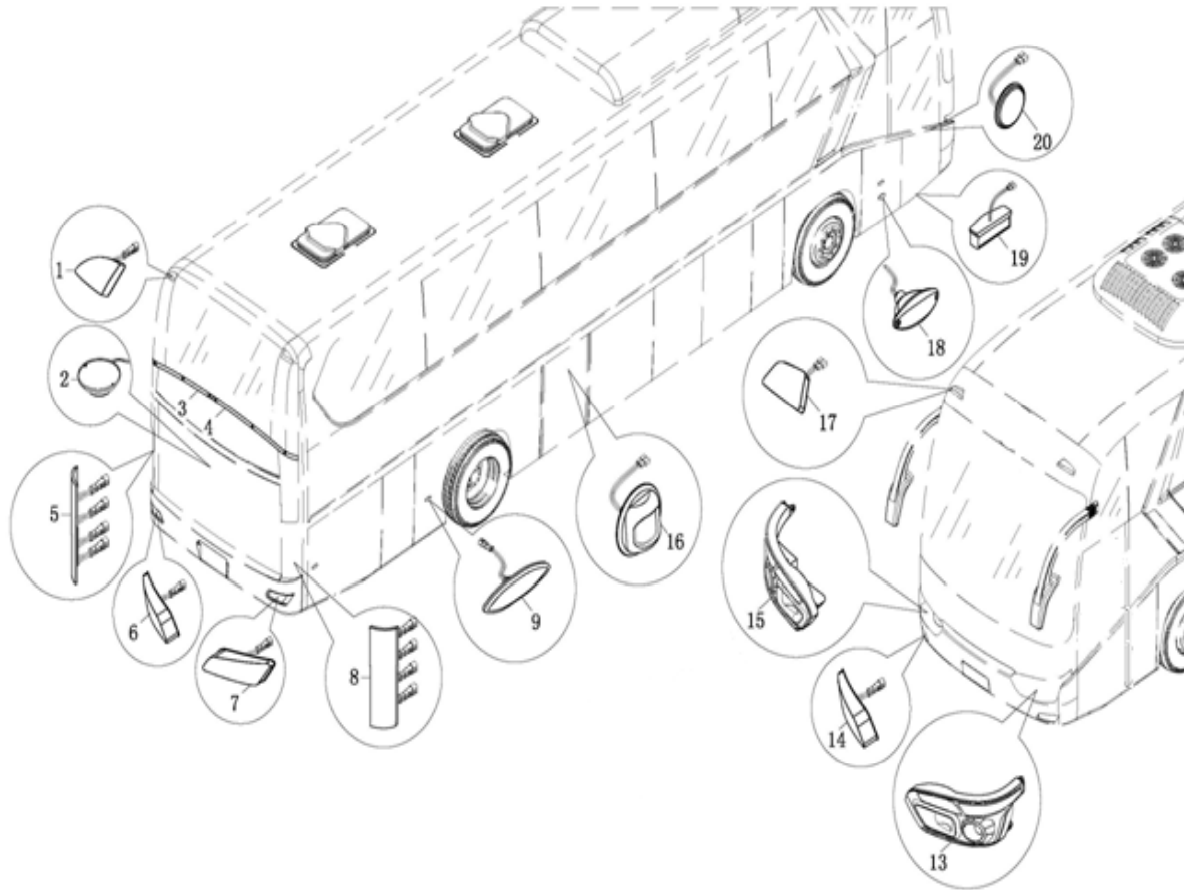
雨刮、后视镜
Wiper and rearview mirror



雨刮、后视镜
Wiper and rearview mirror

序号 Item No.	零件代码 Part No	中文名称 Chinese Name	英文名称 English Name	数量 Quantity	单位 Unit	备注 Notes
1	282201130	右外后视镜	Rearview mirror, right	1		
2	282201120	左外后视镜	Rearview mirror, left	1		包含3-7
3	282000176	电动调节器	electric controller	1		
4	282000177	防尘套	Rubber cover, rearview mirror	2		
5	282000174	广角镜镜片	Eyeglass, moonwatch telescope	2		
6	282000151	后视镜镜片 (右)	Eyeglass, rearview mirror	1		
7	282000150	后视镜镜片 (左)	Eyeglass, rearview mirror	1		
8	279500080	雨刮器	Wiper	1		包含9-14
9	GP001	雨刮片	Wiper brade	2		
10	282000121	连动杆	Connecting rod	1		
11	279000054	雨刮电机	Motor, wiper	1		
12	279000075	左雨刮臂	Wiper arm, LH	1		
13	279000104	洗涤器	Scrubber	1		
14	279000053	右雨刮臂	Wiper arm, RH	1		

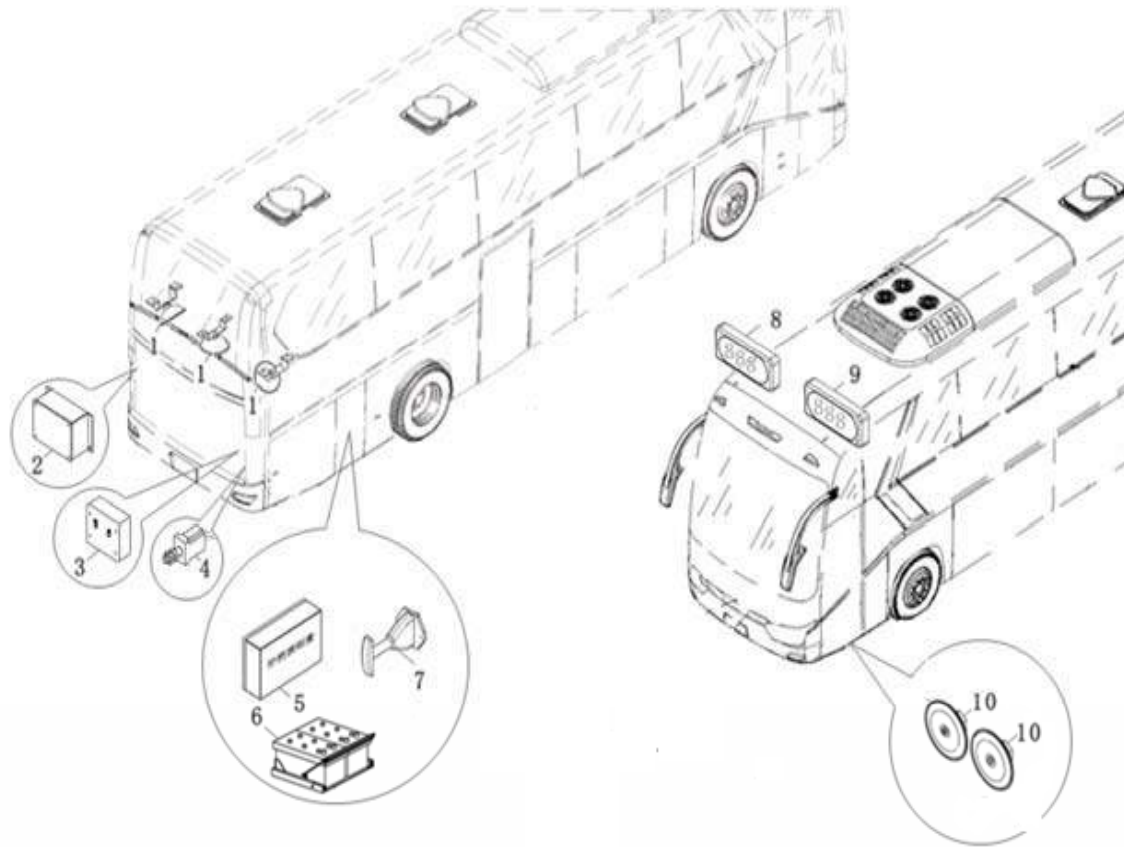
电器 (一)
Electrical equipment(1)



电器 (一)
Electrical equipment(1)

序号 Item No.	零件代码 Part No	中文名称 Chinese Name	英文名称 English Name	数量 Quantity	单位 Unit	备注 Notes
1	236600170	后示廓灯(左)	Rear clearance lamp, LH	1		
1	236600180	后示廓灯(右)	Rear clearance lamp, RH	1		
2	236501470	照明灯-发动机仓	Rear compartment lamp	1		
3	236200100	后高位制动灯(左)	Rear high-mounted stop lamp, LH	1		
4	236200110	后高位制动灯(右)	Rear high-mounted stop lamp, RH	1		
5	236100780	组合后尾灯(左)	Rear combination lamp,LH	1		
6	236400110	后雾灯带后反射器(左)	Rear fog lamp with rear reflector,LH	1		
7	236400120	后雾灯带后反射器(右)	Rear fog lamp with rear reflector,RH	1		
8	236100770	组合后尾灯(右)	Rear combination lamp,RH	1		
9	236600050	侧标志灯	Side signal lamp	6		
13	236100042	组合前照灯(左)	Combination headlight,LH	1		
14	236400060	前雾灯(左)	Front fog lamp,LH	1		
14	236400070	前雾灯(右)	Front fog lamp,RH	1		
15	236100043	组合前照灯(右)	Combination headlight,RH	1		
16	236501460	踏步灯	courtesy lamp	3		
17	236600100	前示廓灯(左)	Front indicator lamp,LH	1		
17	236600110	前示廓灯(右)	Front indicator lamp,RH	1		
18	236300080	侧转向灯	Side steering lamp	2		
19	236501490	踏步灯(长形)	Step board lamp(quadrate)	1		
20	236501460	踏步灯	Step board lamp	1		
21	251508140	LED踏步灯	Step board lamp ,LED	30.3		
22	236700470	后装饰件	Licence lamp	2		
	236500240	导游阅读灯	Dragoman reading lamp	2		

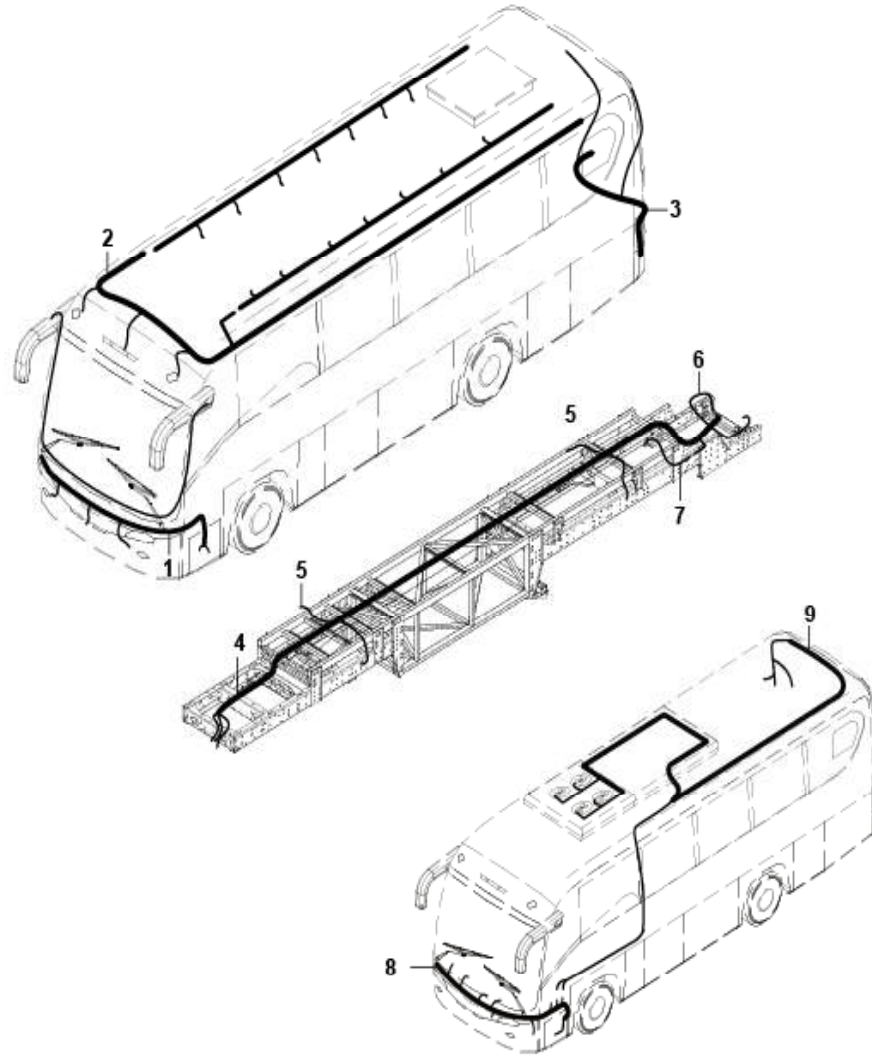
电器 (二)
Electrical equipment(2)



电器 (二)
Electrical equipment(2)

序号 Item No.	零件代码 Part No	中文名称 Chinese Name	英文名称 English Name	数量 Quantity	单位 Unit	备注 Notes
1	282500102	脉冲超细干粉灭火器	Distinguisher	3		
2	279601280	电容盒	Capacitor box	1		
3	238600060	后仓起动控制盒	Starting control box, rear compartment	1		
4	238300300	制动灯开关	Switch, brake lamp	1		
5	238600044	控制盒-电源开关	Control box, switch	1		
6	279400027	蓄电池	Battery	2		
7	238700180	电源总开关	Master Power Switch Assembly	1		
8	282100080	电子显示屏一(时间显示)	Electronic displayer board(1)	1		
9	282100090	电子显示屏二(日期显示)	Electronic displayer board(2)	1		
10	279500270	电喇叭, 高音	Horn	1		
	279500280	电喇叭, 低音	Horn	1		

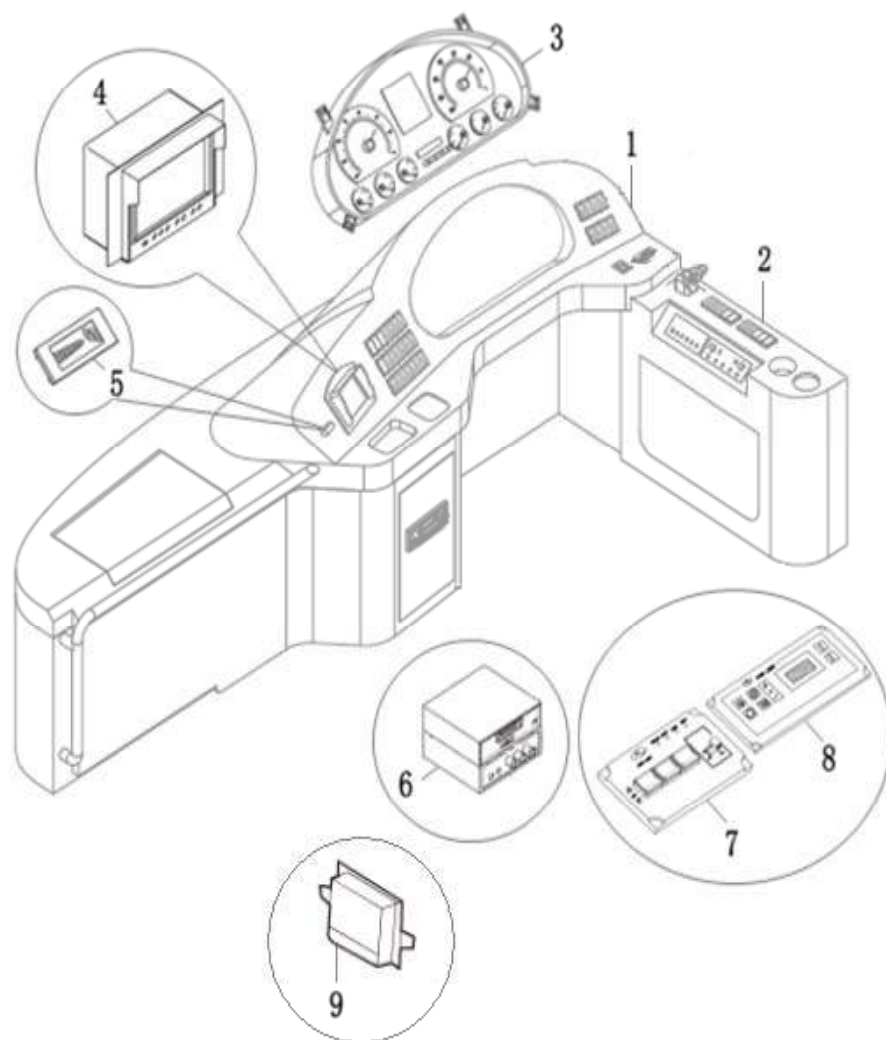
线束
Wiring harness



线束
Wiring harness

序号 Item No.	零件代码 Part No	中文名称 Chinese Name	英文名称 English Name	数量 Quantity	单位 Unit	备注 Notes
1	241501150	前围线束	Wiring harness, front wall	1		
2	241300319	顶棚线束	Wiring harness, roof	1		
3	241600620	后围线束	Wiring harness, rear wall	1		
4	237100327	底盘线束	Wiring harness, chassis	1		
5	237400074	控制线束-ABS	Wiring harness, ABS	1		
6	237200225	发动机线束	Wiring harness, engine	1		
7	237401010	控制线束-缓速器	Wiring harness, retarder	1		
8	241100324	仪表线束	Wiring harness, instrument	1		
9	241200134	空调-控制线束	Wiring harness, air conditioning	1		
	237701530	水暖控制线束	Wiring harness, water heating	1		
	237400075	控制线束-ECAS	Wiring harness, ECAS	1		

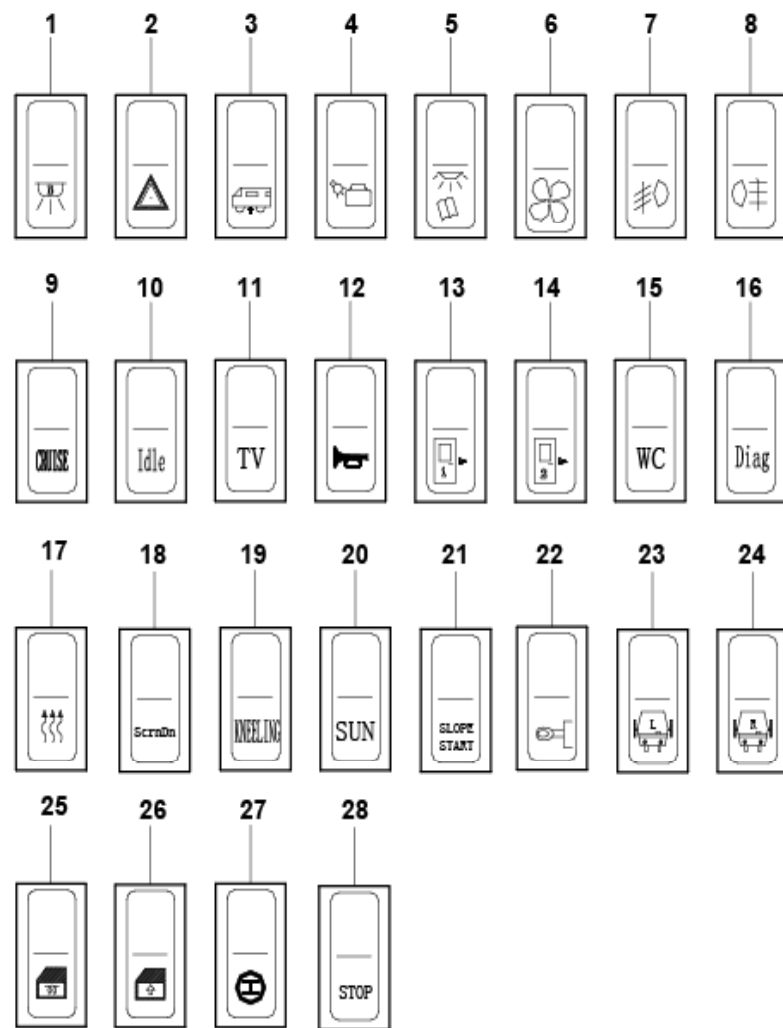
仪表台
Instrument desk



仪表台
Instrument desk

序号 Item No.	零件代码 Part No	中文名称 Chinese Name	英文名称 English Name	数量 Quantity	单位 Unit	备注 Notes
1	253500198	主仪表台总成	Instrument desk assembly	1		
2	253500196	副仪表台	Instrument desk assembly	1		
3	238500022	总线仪表	Combination instrument	1		
4	279200360	监控器	Color review system	1		
5	231500003	胎压监控器	Monitor	1		
6	279100320	MP3播放器	MP3 player	1		
7	238202030	空调面板	Aircondition panel	1		
8	238202010	空调面板	Aircondition panel	1		
9	238400250	中央处理器	CPU	1		
	253501240	仪表台出风口,长条	Outlet instrument desk Gray	8		

翘板开关 Switch



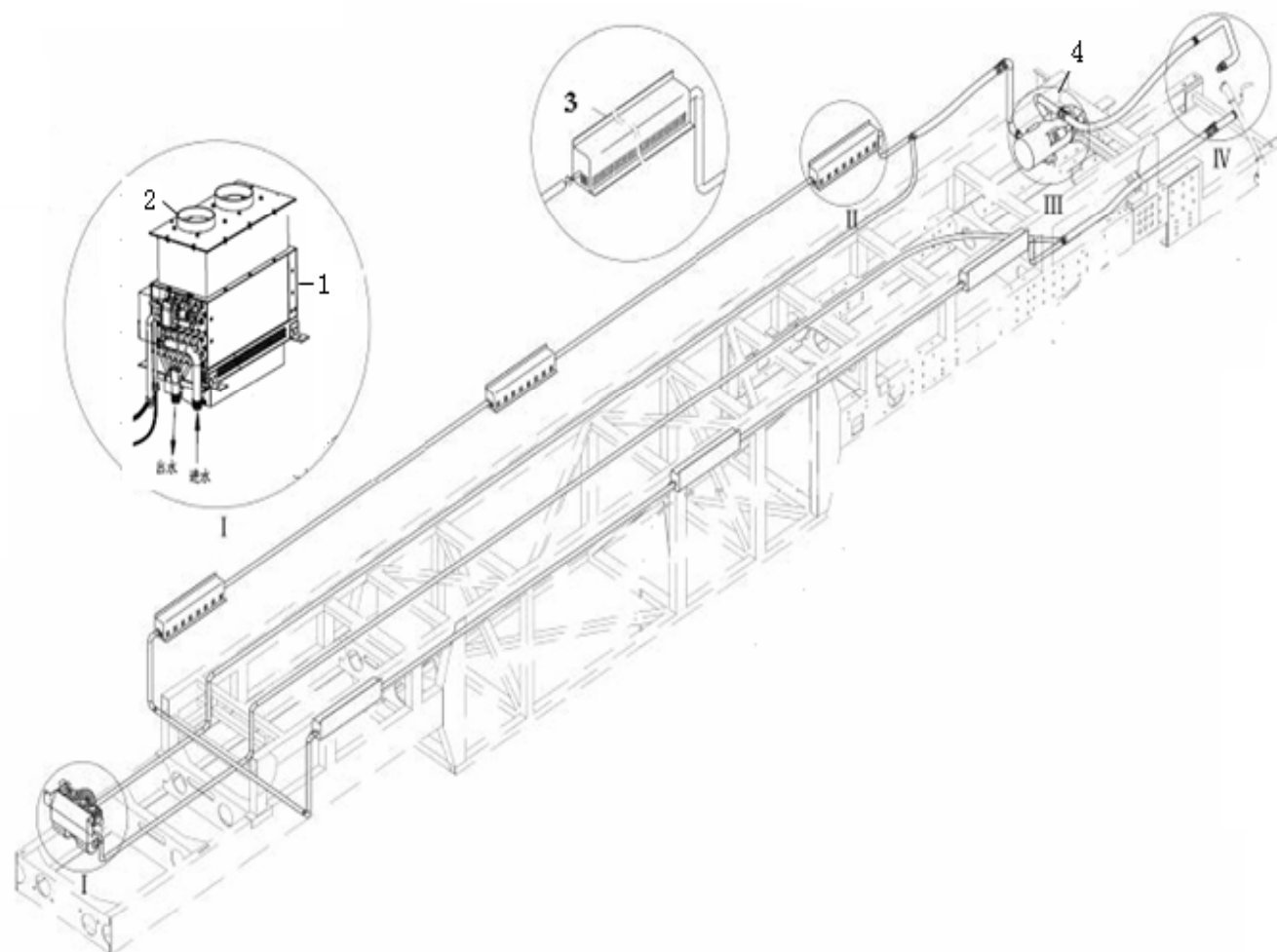
翘板开关
Switch

序号 Item No.	零件代码 Part No	中文名称 Chinese Name	英文名称 English Name	数量 Quantity	单位 Unit	备注 Notes
1	238200200	日光灯开关	Switch , daylight lamp	3		
2	238200220	报警灯开关	Switch,emergency lamp	1		
3	238200960	车身升降开关	Switch,lifter	1		
4	238200270	行李仓灯开关	Switch , luggage compartment lamp	1		
5	238200290	阅读灯开关	Switch , reading lamp	1		
6	238200006	换气扇开关	Switch , ventilator	1		
7	238200340	前雾灯开关	Switch , front fog lamp	1		
8	238200370	后雾灯开关	Switch , rear fog lamp	1		
9	238200730	巡航开关	Switch , cruise	1		
10	238202200	怠速开关	Switch , idling - english	1		
11	238200440	电视开关	Switch,TV	1		
12	238202420	喇叭开关	Switch , horn change over	1		
13	238200610	前门开关	Switch , front passenger door	1		
14	238200630	中乘客门	Switch , rear passenger door	1		
15	238200890	卫生间开关	Switch , Toilet	1		
16	238202200	诊断开关	Switch , diagnose - english	1		
17	238203970	暖风开关(绿)	Switch heater	1		
18	238201600	液晶屏翻页开关	ScrnDn	1		
19	238204060	Kneeling开关	Kneeling switch	1		
20	238204180	电动升降遮阳帘开关	Switch, electric lifting sun blind	2		
21	238201610	坡度起步开关	Slope start	1		
22	238204140	后视镜除霜开关	Switch, electric driver window	1		
23	238204010	左仓门开关	Switch , luggage compartment lamp(left)	1		
24	238204020	右仓门开关	Switch , luggage compartment lamp(right)	1		

翘板开关
Switch

序号 Item No.	零件代码 Part No	中文名称 Chinese Name	英文名称 English Name	数量 Quantity	单位 Unit	备注 Notes
25	238204190	电动司机窗除霜	Defroster Switch,Electric Cab window,	1		
26	238204170	电动司机窗升降	Lift switch,electric Cab window	1		
27	238200170	缓速器开关	Switch , retarder	1		
28	238204030	电子刹车开关, 翘板开关	STOP	1		

除霜 系统
Defrosting system



除霜 系统
Defrosting system

序号 Item No.	零件代码 Part No	中文名称 Chinese Name	英文名称 English Name	数量 Quantity	单位 Unit	备注 Notes
1	281400030	前置冷暖器	Defroster			
2	361500080	除霜机胶管 φ 50*500	Rubber pipe, defroster	1		φ 50*500
	361500120	除霜机胶管 φ 50*700	Rubber pipe, defroster	1		φ 50*700
	361500250	除霜机胶管 φ 50*400	Rubber pipe, defroster	2		φ 50*400
	361500200	除霜机胶管 φ 50*1200	Rubber pipe, defroster	1		φ 50*1200
3	281200230	散热器-自然	Radiator - Natural	16		
	281200620	散热器-强制	Radiator - Mandatory	1		
4	281100100	加热器-燃油	Heater	1		
5	281100010	手动阀门, φ 38	Valve	2		